



US00D811515S

(12) **United States Design Patent** (10) **Patent No.:** **US D811,515 S**
Parise (45) **Date of Patent:** **** Feb. 27, 2018**

(54) **SELF DEFENSE APPARATUS**

(71) Applicant: **Richard Parise**, Sparks, NV (US)

(72) Inventor: **Richard Parise**, Sparks, NV (US)

(**) Term: **15 Years**

(21) Appl. No.: **29/557,473**

(22) Filed: **Mar. 9, 2016**

(51) **LOC (11) Cl.** **22-02**

(52) **U.S. Cl.**
USPC **D22/117**

(58) **Field of Classification Search**
USPC D22/117-120, 112; D21/400, 452, 798;
43/42.15, 42.34, 42.47; 463/47.2, 47.7;
362/102

CPC A01K 85/18; F41B 45/00; F41B 15/04;
F41H 9/102; F41H 13/0018

See application file for complete search history.

(56) **References Cited**

U.S. PATENT DOCUMENTS

1,359,618	A *	11/1920	Oliver	A01K 85/18
					43/42.15
D248,051	S *	5/1978	Klingler	D21/400
D277,596	S *	2/1985	Nishiuchi	D21/798
D382,196	S *	8/1997	Ma	D21/452
5,728,003	A *	3/1998	Hustad	F41B 15/00
					362/102
D479,737	S *	9/2003	Teeters	D22/117
D668,313	S *	10/2012	Bushee	D22/117
D753,261	S *	4/2016	Griffin	D22/117
D756,482	S *	5/2016	Griffin	D22/117
D777,290	S *	1/2017	Wolfe	D22/117

OTHER PUBLICATIONS

Fury Tactical 77730 Pepper-Strike Pressure Point Device with .50 oz Pepper Spray, http://www.joy-247.com/product.php?id_product=594, retrieved Mar. 7, 2016.

UPC No. 766359777306 is associated with Fury Pepperstrike, <http://www.upcindex.com/766359777306>, retrieved Mar. 7, 2016.

* cited by examiner

Primary Examiner — Catherine R Oliver-Garcia

(74) *Attorney, Agent, or Firm* — Honigman Miller Schwartz and Cohn LLP

(57) **CLAIM**

The ornamental design for a self-defense apparatus, as shown and described.

DESCRIPTION

FIG. 1 is a top perspective view of a self-defense apparatus, showing my new design;

FIG. 2 is a bottom perspective view thereof;

FIG. 3 is a bottom view thereof;

FIG. 4 is a top view thereof;

FIG. 5 is a left side view thereof;

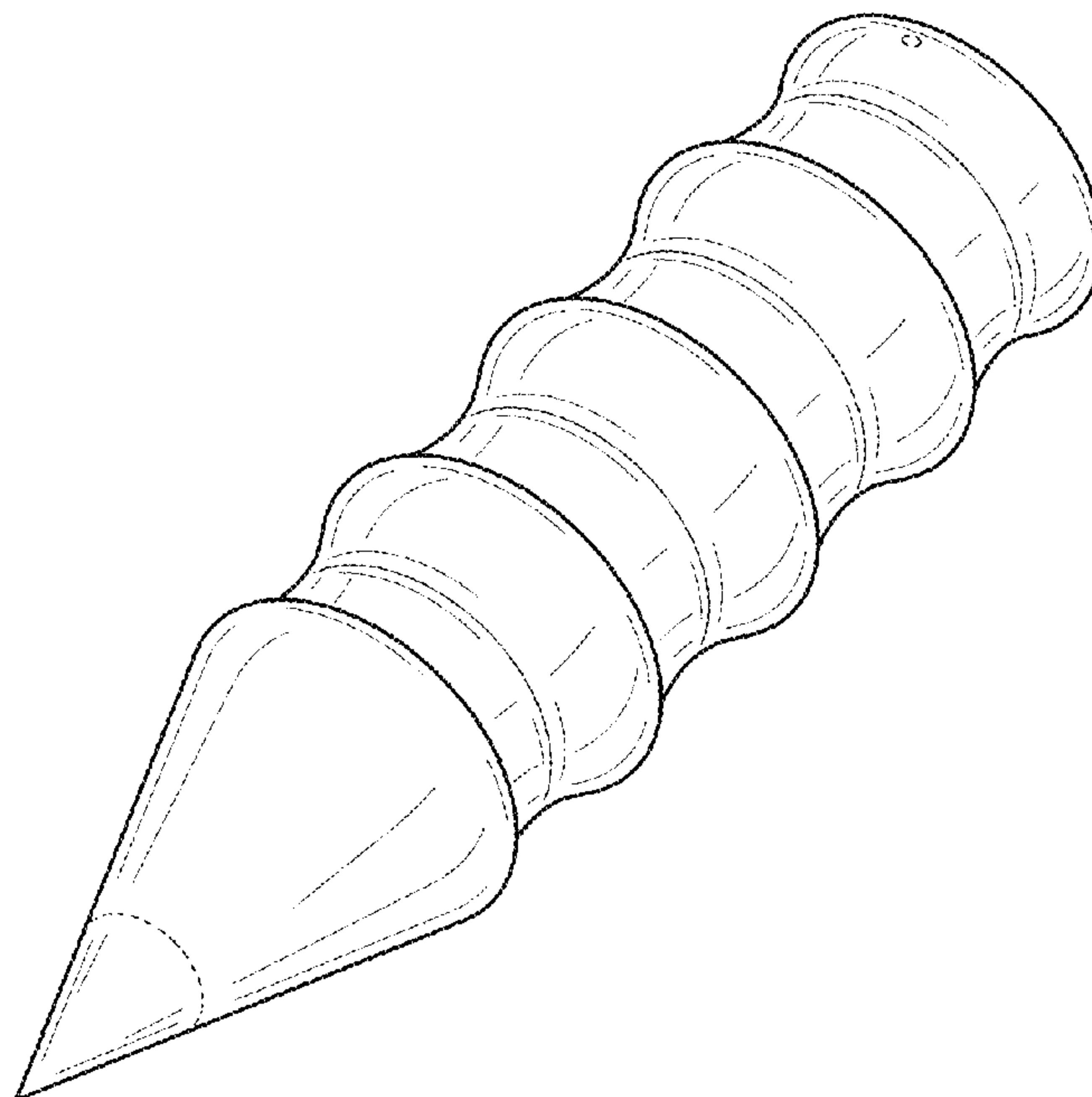
FIG. 6 is a right side view thereof;

FIG. 7 is a front view thereof; and,

FIG. 8 is a rear view thereof.

The dashed lines in the drawings depict portions of the design that form no part of the claim.

1 Claim, 4 Drawing Sheets



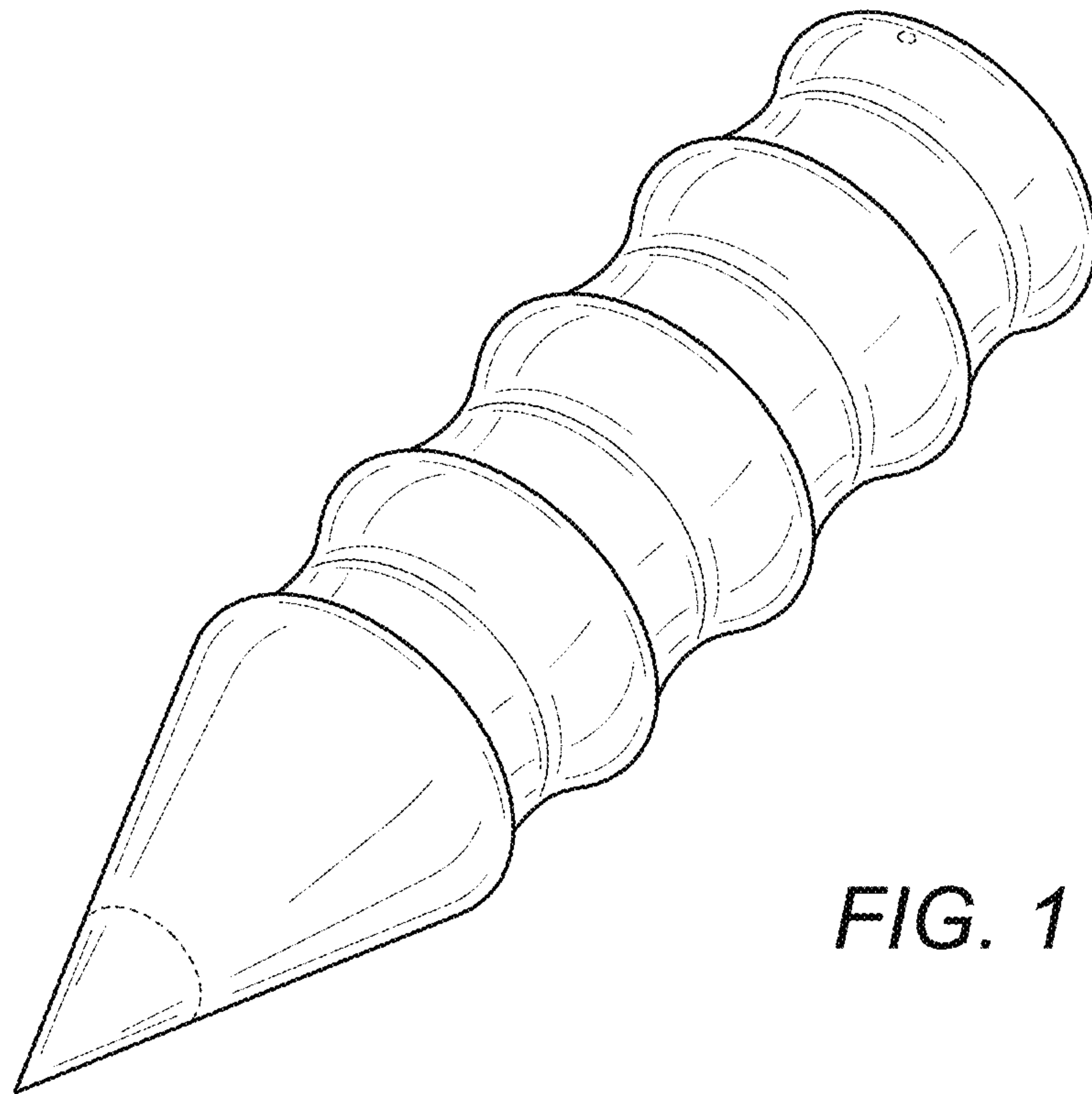


FIG. 1

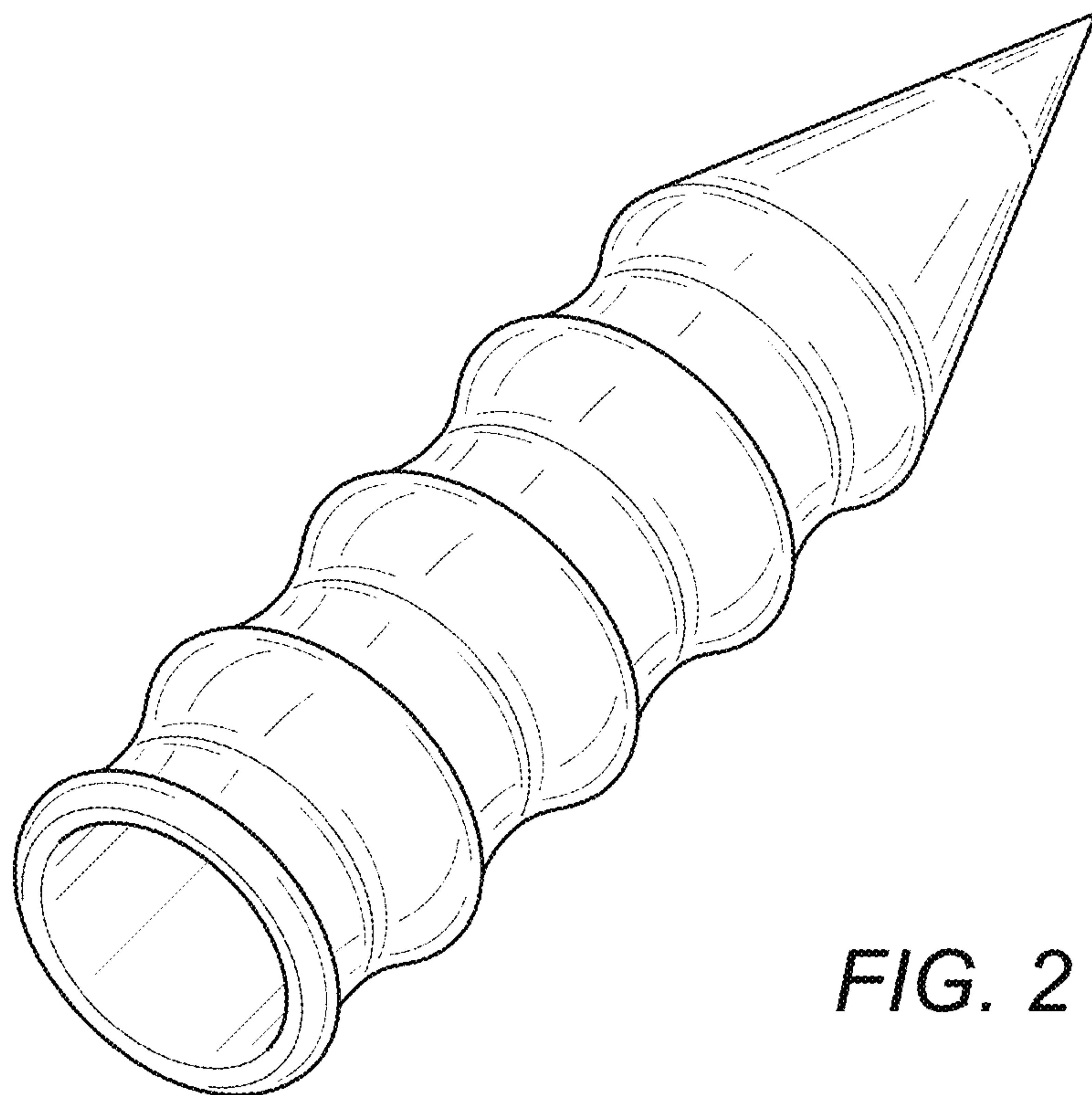


FIG. 2

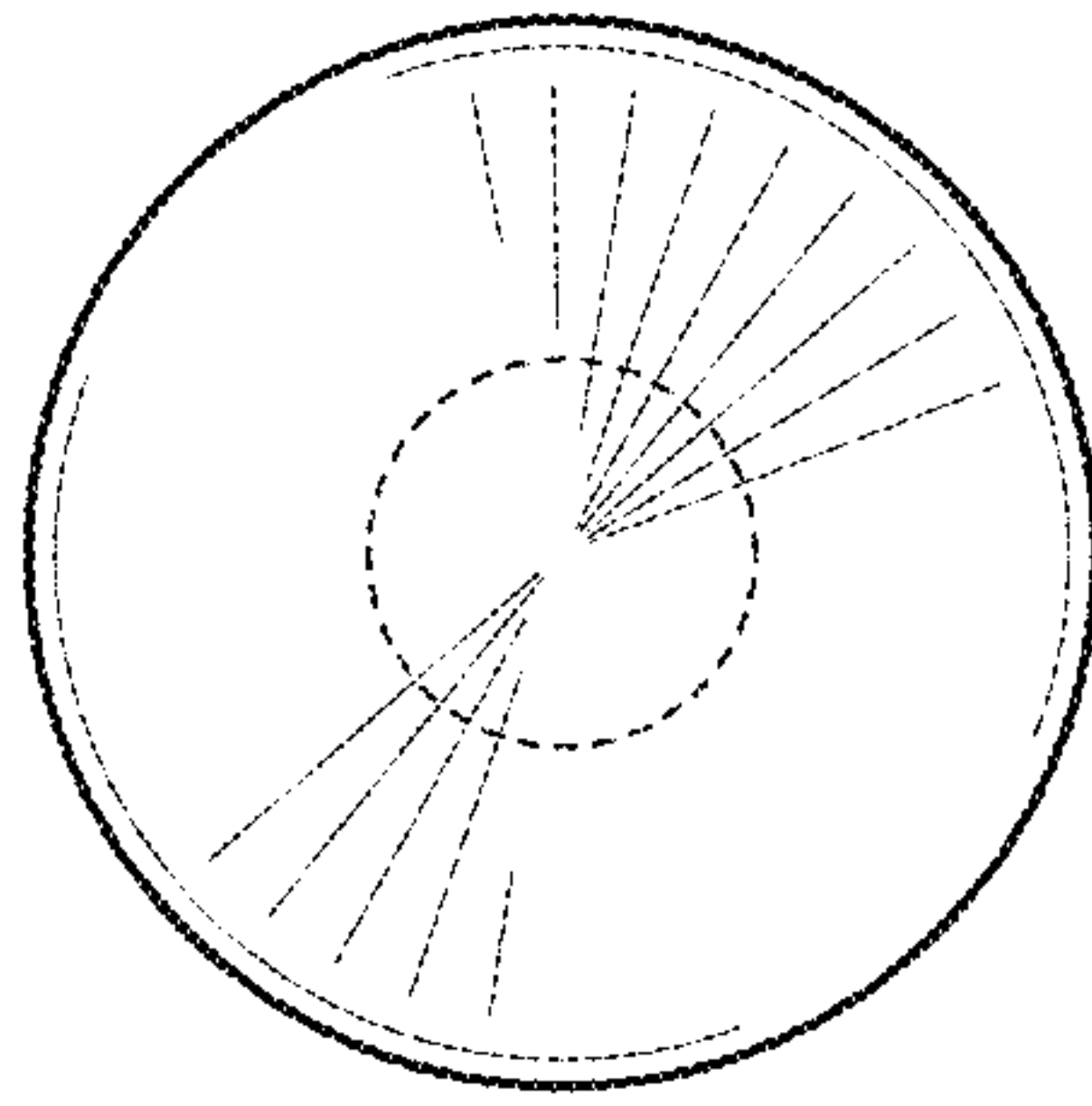


FIG. 3

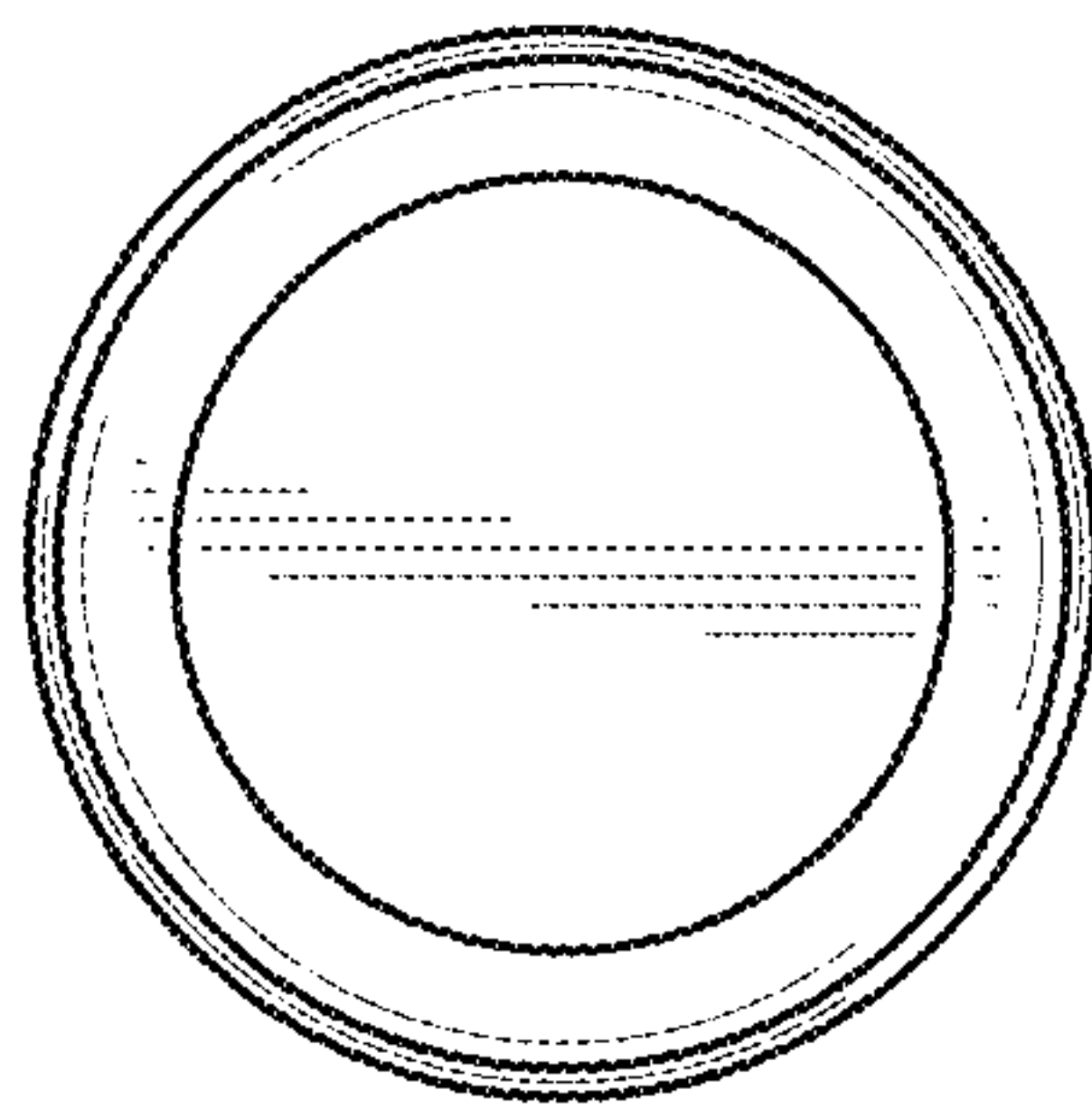


FIG. 4

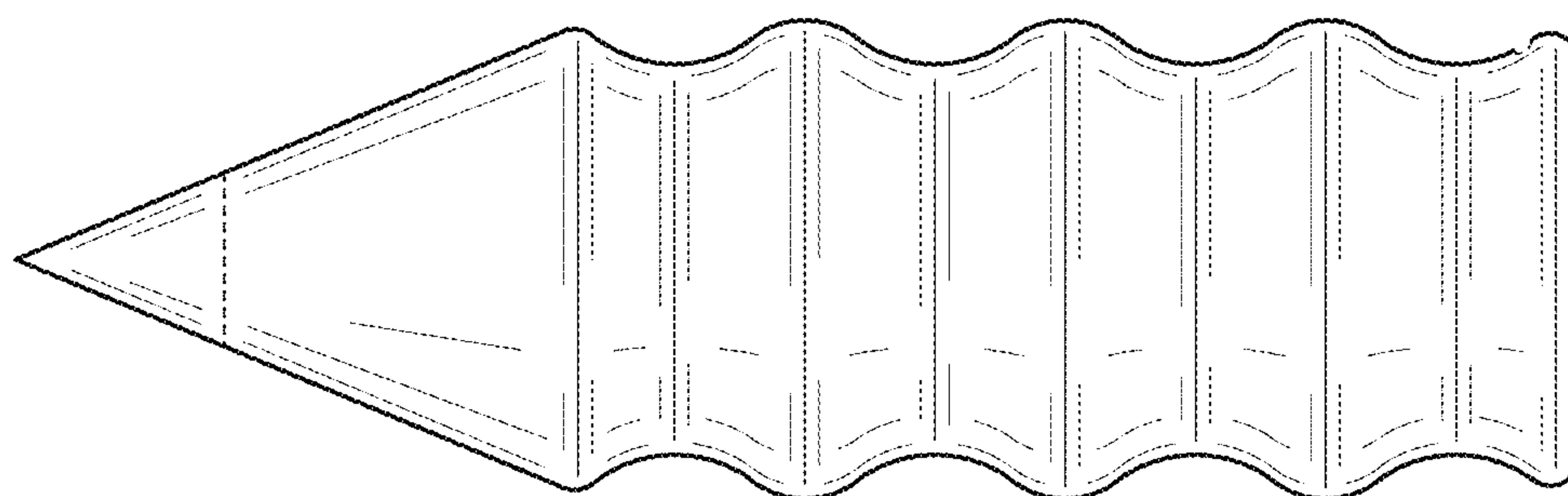


FIG. 5

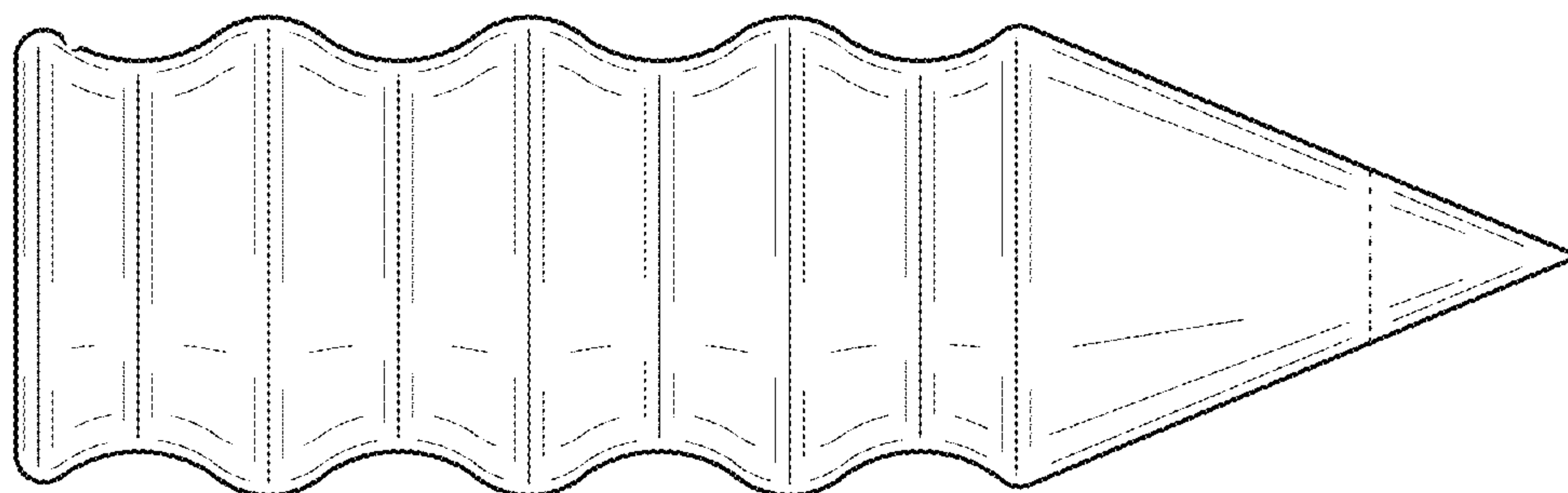


FIG. 6

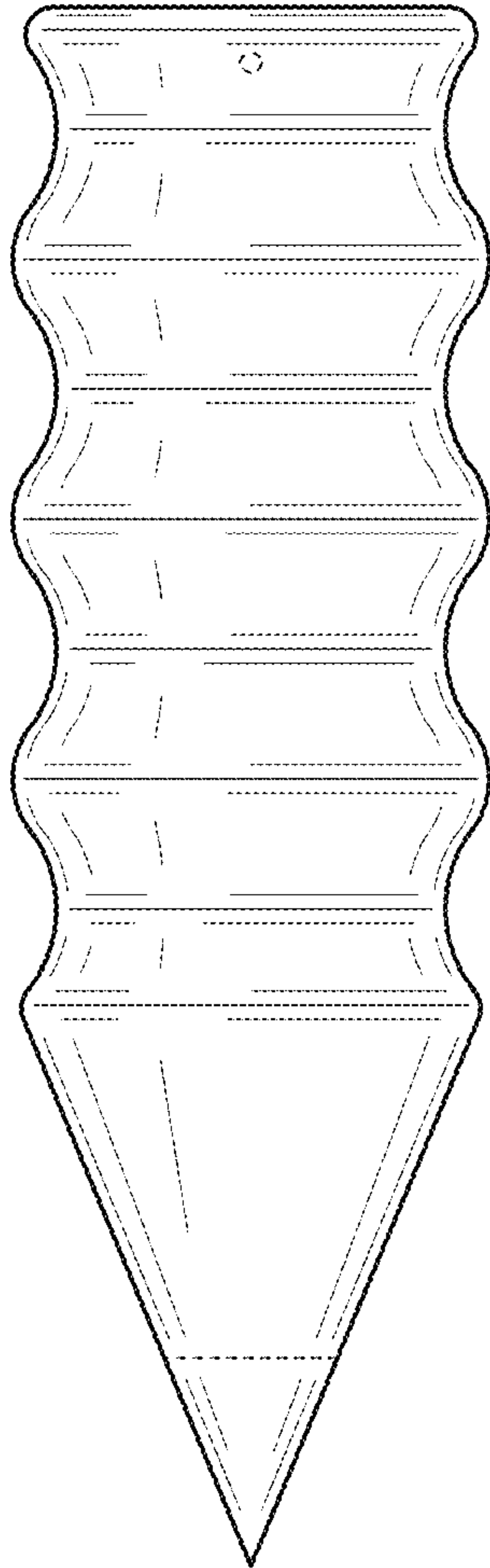


FIG. 7

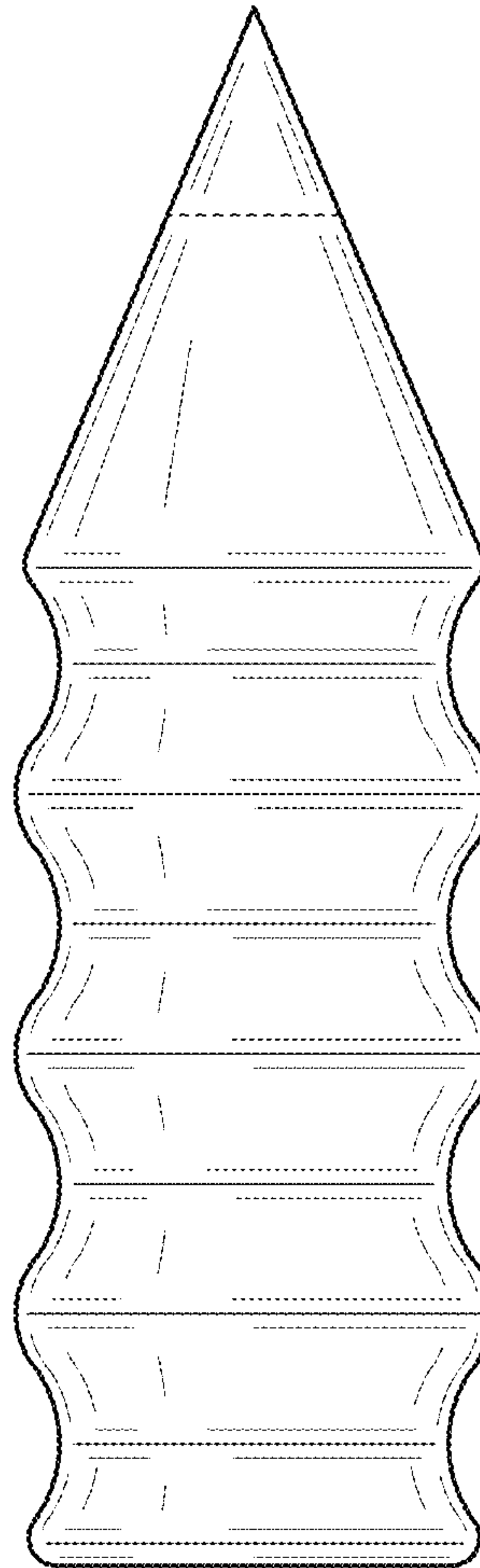


FIG. 8