



US00D811513S

(12) **United States Design Patent**  
**Payton**

(10) **Patent No.:** **US D811,513 S**

(45) **Date of Patent:** **\*\* Feb. 27, 2018**

- (54) **BAFFLE HOUSING**
- (71) Applicant: **Donald Wayne Payton**, Flowery Branch, GA (US)
- (72) Inventor: **Donald Wayne Payton**, Flowery Branch, GA (US)
- (\*\*) Term: **15 Years**
- (21) Appl. No.: **29/582,143**
- (22) Filed: **Oct. 25, 2016**
- (51) **LOC (11) Cl.** ..... **22-01**
- (52) **U.S. Cl.**  
USPC ..... **D22/108**
- (58) **Field of Classification Search**  
USPC ..... D22/108, 109; D21/572-575; 89/14.05, 89/14.1-14.8, 40.06, 41.19, 37.04, 33.04, 89/191.01, 200-204, 177, 223; 42/1.01-1.07, 2, 8-26, 34, 36, 37, 44, 42/63-64, 75.01-75.04, 76.01, 42/76.02-76.1, DIG. 1; 433/159, 173; 124/66, 67, 72, 743; D5/1, 2, 3; D27/163; D8/60  
CPC ..... F41A 21/02; F41A 21/08; F41A 21/48; F41A 21/481; F41A 21/482; F41A 21/484; F41A 21/485; F41A 21/487; F41A 21/488; F41A 21/34; F41A 21/325; F41A 21/32; F41A 21/28; F41A 35/02; F41C 23/16; F41G 11/003  
See application file for complete search history.

(56) **References Cited**

**U.S. PATENT DOCUMENTS**

- 4,945,812 A \* 8/1990 Mazzanti ..... F41A 21/36 89/14.3
- 5,333,529 A \* 8/1994 Brockman ..... F41A 21/38 42/79
- 5,367,940 A \* 11/1994 Taylor ..... F41A 21/36 89/14.3

- 5,425,298 A \* 6/1995 Coburn ..... F41A 21/38 89/14.3
  - 6,126,688 A \* 10/2000 McDonnell ..... A61F 2/446 623/17.16
  - D435,884 S \* 1/2001 Dehaan ..... D21/572
- (Continued)

**OTHER PUBLICATIONS**

Griffin Armament Optimus Modular Silencer, TheFirearmBlog.com, Posted Mar. 3, 2016 by Nicholas C., [online], [site visited Dec. 13, 2017]. <URL: <http://www.thefirearmblog.com/blog/2016/03/03/griffin-armament-optimus-modular-silencer/>> (Year: 2016).\*

(Continued)

*Primary Examiner* — T. Chase Nelson  
*Assistant Examiner* — Jonathan J. Han  
(74) *Attorney, Agent, or Firm* — Dunlap Bennett & Ludwig PLLC

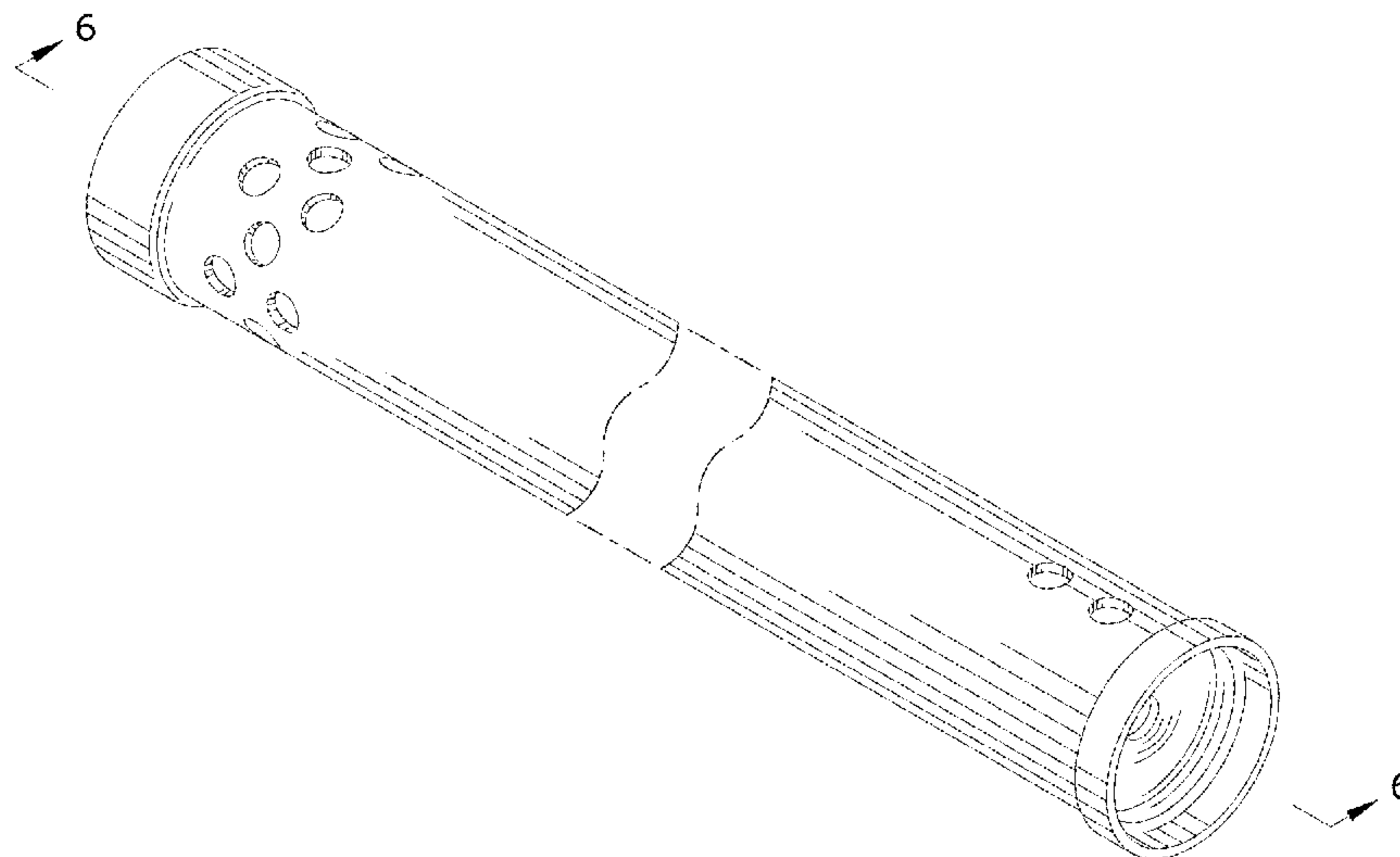
(57) **CLAIM**

The ornamental design for a baffle housing, as shown and described.

**DESCRIPTION**

FIG. 1 is a top front perspective view of a baffle housing; FIG. 2 is a front elevation view of FIG. 1, the rear elevation view being a mirror image thereof; FIG. 3 is a top plan view of FIG. 1, the bottom plan view being a mirror image thereof; FIG. 4 is a right elevation view of FIG. 1; FIG. 5 is a left elevation view of FIG. 1; and, FIG. 6 is a section view of FIG. 1, taken along line 6-6. The broken lines shown in the drawings depict portions of the baffle housing that form no part of the claimed design. The baffle housing is shown with a symbolic break in its length. The appearance of any portion of the article between the break lines forms no part of the claimed design.

**1 Claim, 3 Drawing Sheets**



(56)

References Cited

U.S. PATENT DOCUMENTS

6,516,550 B1 \* 2/2003 Schnyder ..... F41A 35/04  
42/96  
6,820,530 B2 \* 11/2004 Vais ..... F41A 21/36  
89/14.3  
6,836,990 B2 \* 1/2005 Shiloni ..... F41G 11/003  
42/75.02  
D623,717 S \* 9/2010 Saur ..... D22/108  
8,087,338 B1 \* 1/2012 Hines ..... F41A 21/30  
181/223  
8,292,025 B1 \* 10/2012 Woodell ..... F41A 21/30  
181/223  
D733,882 S \* 7/2015 Fregoso ..... D24/152  
9,134,084 B1 \* 9/2015 Harrison ..... F41A 21/36  
D740,940 S \* 10/2015 Fregoso ..... D24/152  
9,417,024 B2 \* 8/2016 Miller ..... F41A 21/36  
9,441,901 B1 \* 9/2016 Harrison ..... F41A 21/36  
D773,587 S \* 12/2016 Underwood ..... D22/108  
D790,648 S \* 6/2017 Pezeshk ..... D22/108  
9,683,801 B2 \* 6/2017 Myers ..... F41A 21/30  
2003/0106416 A1 \* 6/2003 Vais ..... F41A 21/36  
89/14.3  
2011/0088540 A1 \* 4/2011 Brittingham ..... F41A 21/26  
89/14.5  
2012/0117847 A1 \* 5/2012 Evans-Hendrick ..... F41A 5/02  
42/90  
2012/0186123 A1 \* 7/2012 Troy ..... F41C 23/16  
42/71.01  
2012/0255807 A1 \* 10/2012 Pieratti ..... F41A 21/30  
181/223

2013/0291713 A1 \* 11/2013 Zheng ..... F41A 5/20  
89/191.02  
2013/0312592 A1 \* 11/2013 Storrs ..... F01N 3/02  
89/14.1  
2014/0190345 A1 \* 7/2014 Daniel ..... F41A 21/325  
89/193  
2014/0237881 A1 \* 8/2014 MacK ..... F41A 21/325  
42/90  
2014/0262604 A1 \* 9/2014 Proske ..... F41A 21/30  
181/223  
2014/0360807 A1 \* 12/2014 McKenzie ..... F41A 21/30  
181/223  
2015/0136519 A1 \* 5/2015 Moore ..... F41A 21/30  
181/223  
2015/0260473 A1 \* 9/2015 Barney ..... F41A 21/30  
89/14.4

OTHER PUBLICATIONS

Minuteman Suppressor, FAmachineWorks.com, [online], [site visited Dec. 13, 2017]. <URL: <http://www.famachineworks.com/products/#toggle-id-1>> (Year: 2017).\*

Sneak Peek—Kraken Suppressor from CGS Group, SoldierSystems.net, Posted on Friday, Nov. 4, 2016 at 17:00, [online], [site visited Dec. 13, 2017]. <URL: <http://soldiersystems.net/2016/11/04/sneak-peek-kraken-suppressor-from-cgs-group/>> (Year: 2016).\*

17 of the Best New Sound Suppressors For 2015, Tactical-Life.com, Mar. 17, 2015 by Andy Massimilian, [online], [site visited Dec. 13, 2017]. <URL: <https://www.tactical-life.com/gear/17-best-sound-suppressors-2015/>> (Year: 2015).\*

\* cited by examiner

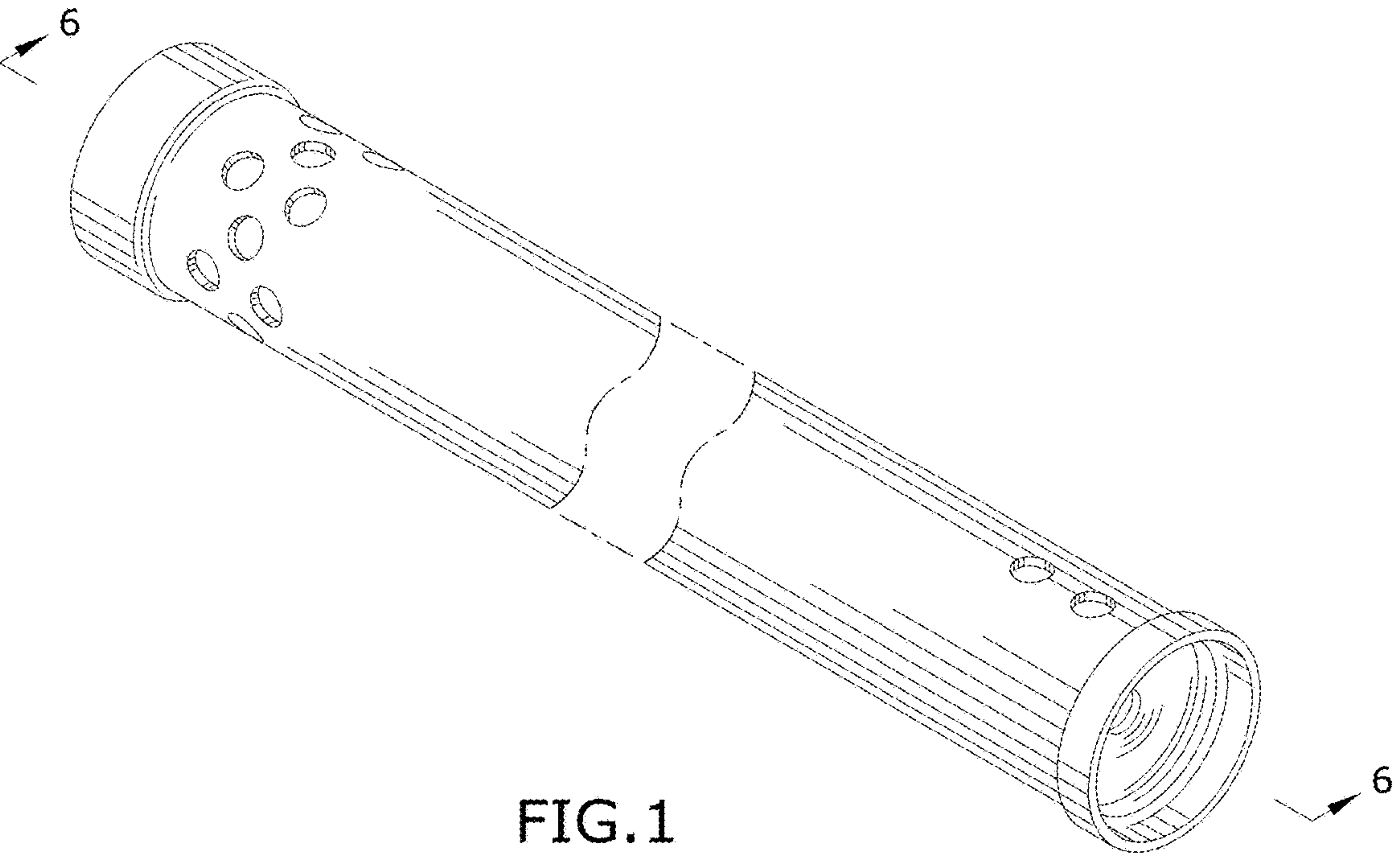


FIG.1

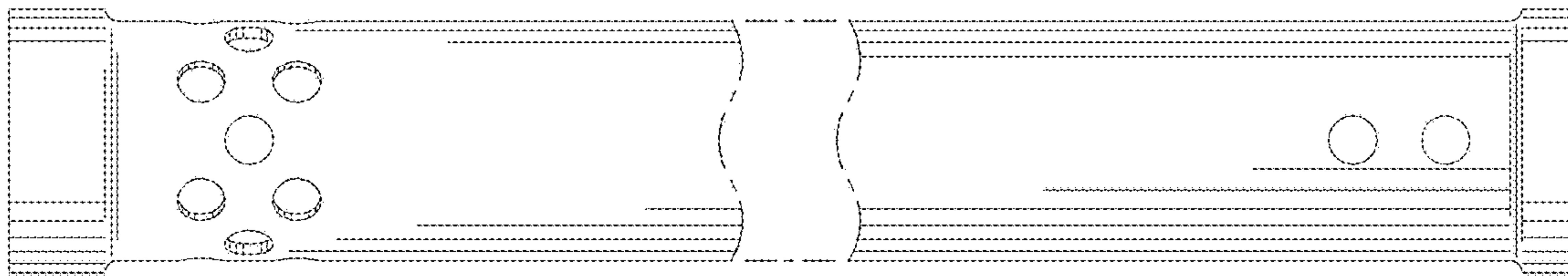


FIG. 2

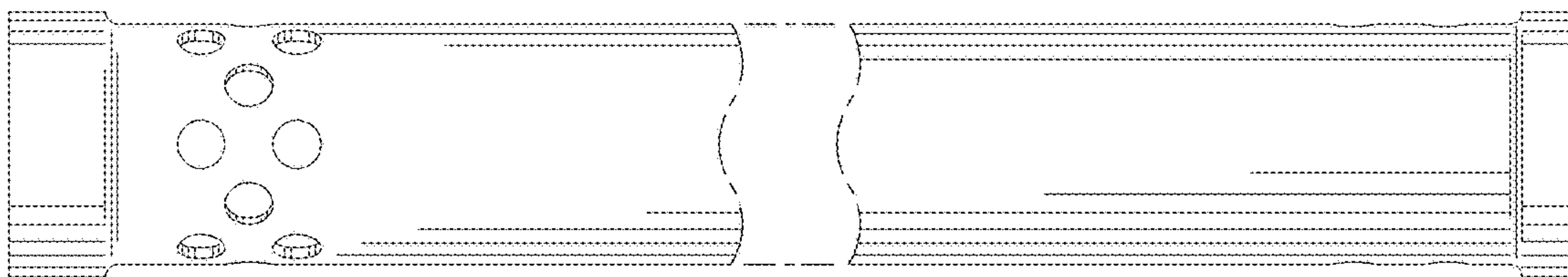


FIG. 3

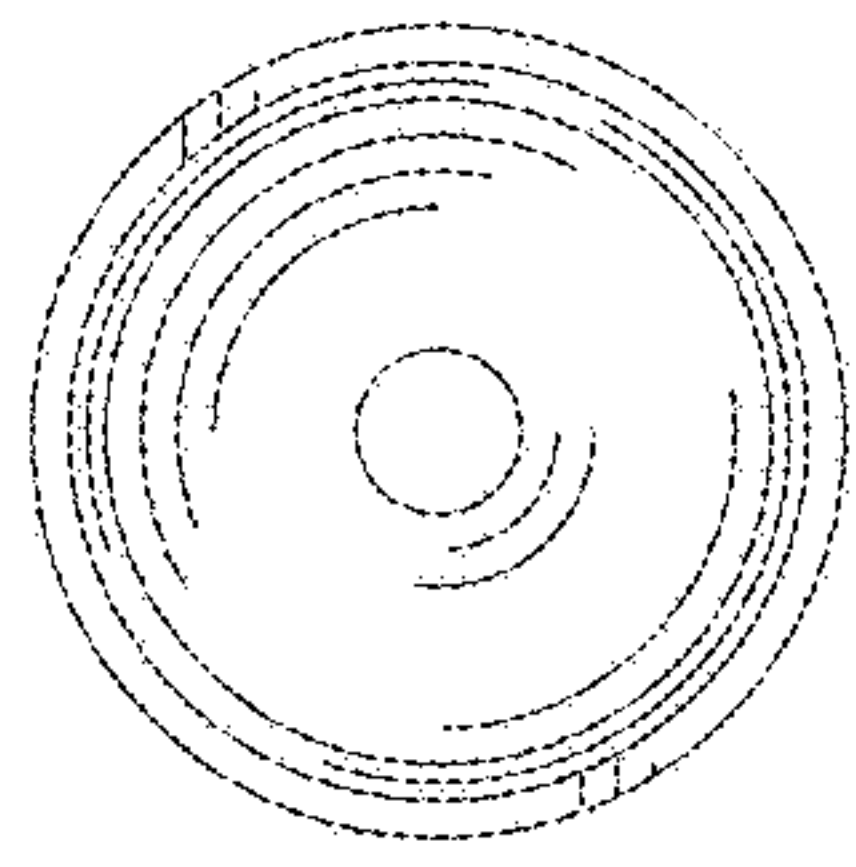


FIG. 4

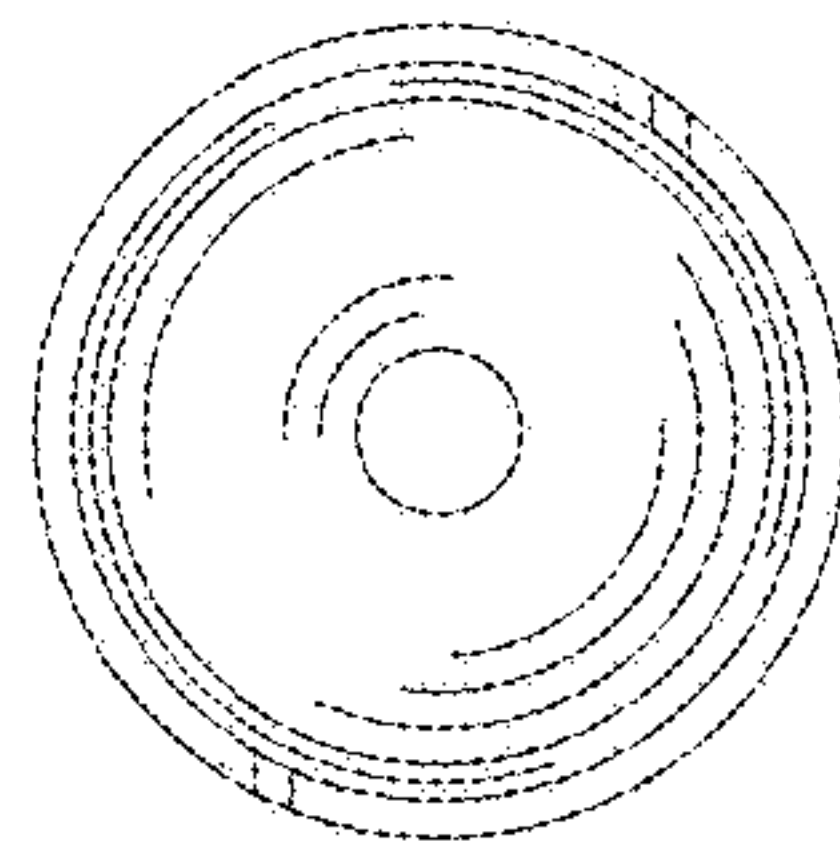


FIG. 5

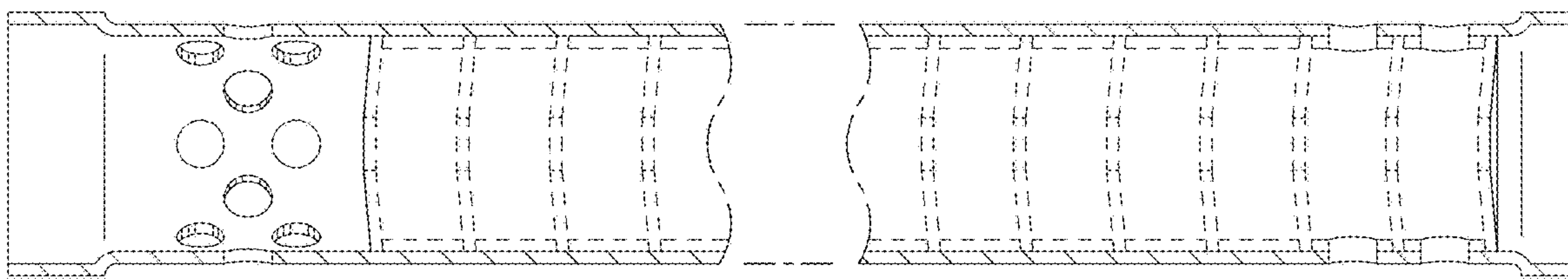


FIG. 6