



US00D811512S

(12) **United States Design Patent** (10) **Patent No.:** **US D811,512 S**  
**Jenkinson et al.** (45) **Date of Patent:** **\*\* Feb. 27, 2018**

- (54) **LARGE SENTINEL MOUNTING PLATE**
- (71) Applicants: **Mark E. Jenkinson**, Wilbraham, MA (US); **Fred J. Holmes**, Plainville, MA (US)
- (72) Inventors: **Mark E. Jenkinson**, Wilbraham, MA (US); **Fred J. Holmes**, Plainville, MA (US)
- (73) Assignee: **PRESENT ARMS, INC.**, Wilbraham, MA (US)
- (\*\*) Term: **15 Years**
- (21) Appl. No.: **29/577,434**
- (22) Filed: **Sep. 13, 2016**
- (51) **LOC (11) Cl.** ..... **22-01**
- (52) **U.S. Cl.**  
USPC ..... **D22/108**; D8/349
- (58) **Field of Classification Search**  
USPC ..... D8/349, 354; D22/108, 109, 110, 199; 89/37.04; 206/317; 248/205.3, 220.22, 248/309.4; 47/65.5; 220/23.4  
CPC ..... F41A 29/00; F41A 17/44; F41A 23/00; F41A 23/16; F41A 23/18; F41A 23/10; F41C 27/00  
See application file for complete search history.

D343,440 S *	1/1994	Rubin	.....	D22/110
5,503,276 A *	4/1996	Pierce	.....	A47F 5/0807
				211/59.1
D397,985 S *	9/1998	Pingel	.....	D12/217
D406,629 S *	3/1999	Banfill	.....	D22/100
5,937,559 A *	8/1999	Jennen	.....	F41A 23/18
				211/64
D427,888 S *	7/2000	Hannon	.....	D8/354
6,361,035 B1 *	3/2002	Collins	.....	B23Q 3/103
				269/152
D500,114 S *	12/2004	Oz	.....	D22/109
D502,244 S *	2/2005	Oz	.....	D22/109
D537,499 S *	2/2007	Swan	.....	D22/110
D542,628 S *	5/2007	Brassard	.....	D8/354
D561,864 S *	2/2008	Rigler	.....	D22/110
D586,875 S *	2/2009	Swan	.....	D22/109
D619,195 S *	7/2010	Bengtsson	.....	D22/110
D658,486 S *	5/2012	Hecht	.....	D8/354
D683,807 S *	6/2013	Elkaim	.....	D22/108
8,544,202 B2 *	10/2013	Bastian, Jr.	.....	F41A 23/02
				42/94

(Continued)

*Primary Examiner* — Mark Goodwin  
(74) *Attorney, Agent, or Firm* — Antero, Tormey, Petrin; Michael Petrin

(57) **CLAIM**

We claim the ornamental design for a large sentinel mounting plate, as shown and described.

**DESCRIPTION**

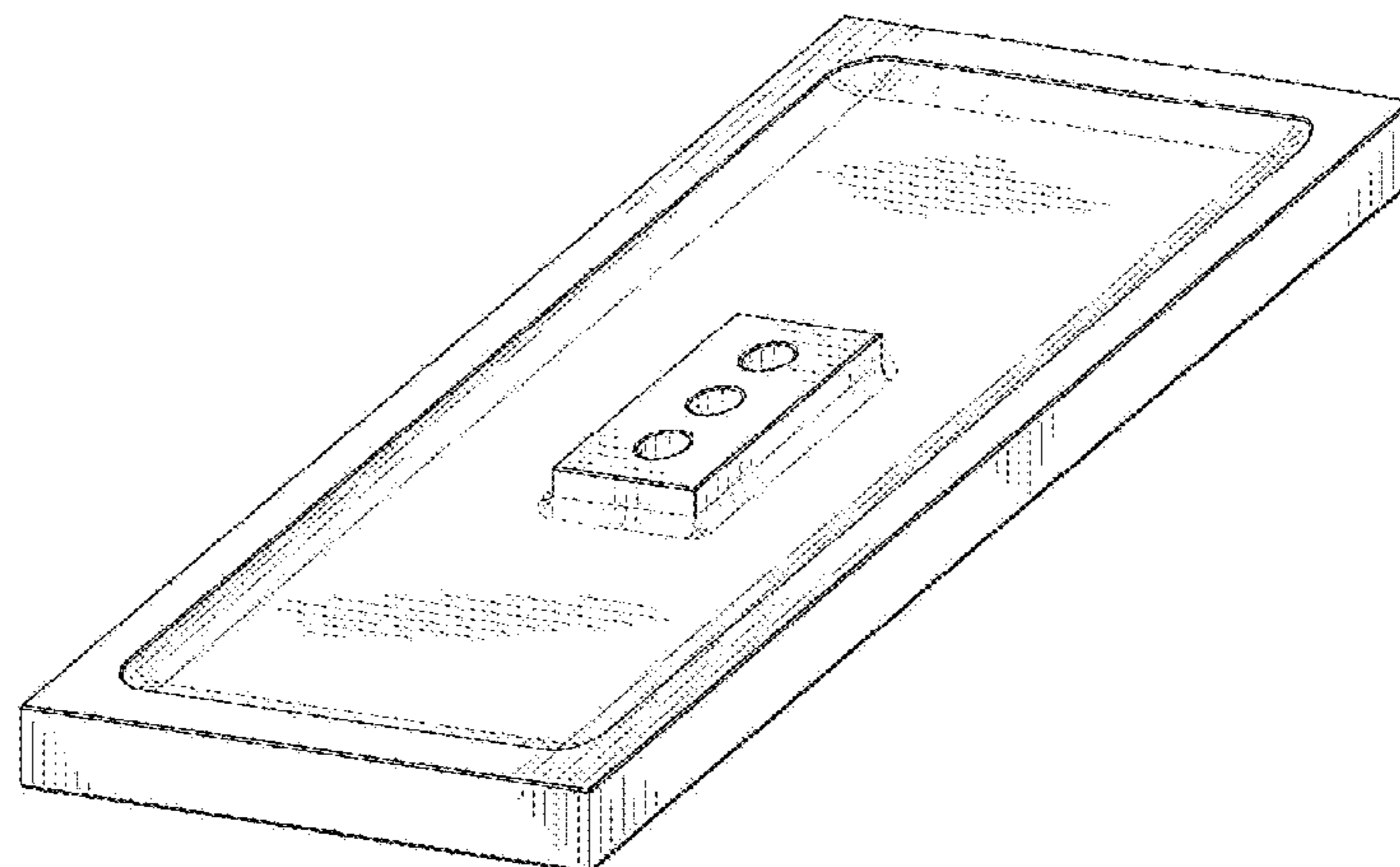
FIG. 1 is a top perspective view of a large sentinel mounting plate showing our new design;  
FIG. 2 is a right side view thereof;  
FIG. 3 is a left side view thereof;  
FIG. 4 is a top view thereof;  
FIG. 5 is a bottom view thereof;  
FIG. 6 is a front view thereof; and,  
FIG. 7 is a back view thereof.

**1 Claim, 4 Drawing Sheets**

(56) **References Cited**

U.S. PATENT DOCUMENTS

2,877,689 A *	3/1959	Pribis	.....	F41A 23/00
				206/317
3,880,389 A *	4/1975	Burris	.....	F41G 11/006
				248/205.1
D257,687 S *	12/1980	Bechtel	.....	89/37.04
4,562,658 A *	1/1986	Govett	.....	F41G 11/001
				42/125
4,824,086 A *	4/1989	Rickling	.....	F41A 23/00
				269/156
D316,954 S *	5/1991	Glaser	.....	D8/349



(56)

**References Cited**

## U.S. PATENT DOCUMENTS

D702,799 S \* 4/2014 Coviello ..... D22/108  
8,733,227 B1 \* 5/2014 Ridgeway ..... F41A 23/18  
248/166  
D732,631 S \* 6/2015 Cheng ..... D22/109  
9,194,653 B1 \* 11/2015 Jenkinson ..... F41C 27/00  
9,228,800 B2 \* 1/2016 Holmes ..... F41A 23/18  
D750,154 S \* 2/2016 Watson ..... D16/242  
D751,662 S \* 3/2016 Holmes ..... D22/108  
D767,379 S \* 9/2016 Knight ..... D8/372  
D770,803 S \* 11/2016 Parsons ..... D6/562  
D771,214 S \* 11/2016 Parsons ..... D22/108  
D774,873 S \* 12/2016 Aller ..... D8/349  
D777,841 S \* 1/2017 Kott ..... D20/43  
D788,871 S \* 6/2017 Storch ..... D22/108  
D802,697 S \* 11/2017 Dueck ..... D22/108  
2011/0173868 A1 \* 7/2011 Wilson ..... F41A 23/18  
42/95  
2012/0255212 A1 \* 10/2012 Werner ..... F41A 23/18  
42/90  
2013/0318850 A1 \* 12/2013 Holmes ..... F41C 27/00  
42/90  
2015/0192384 A1 \* 7/2015 Ballard ..... F41A 9/70  
42/49.01  
2015/0276339 A1 \* 10/2015 Shreve ..... F41A 9/71  
42/50

\* cited by examiner

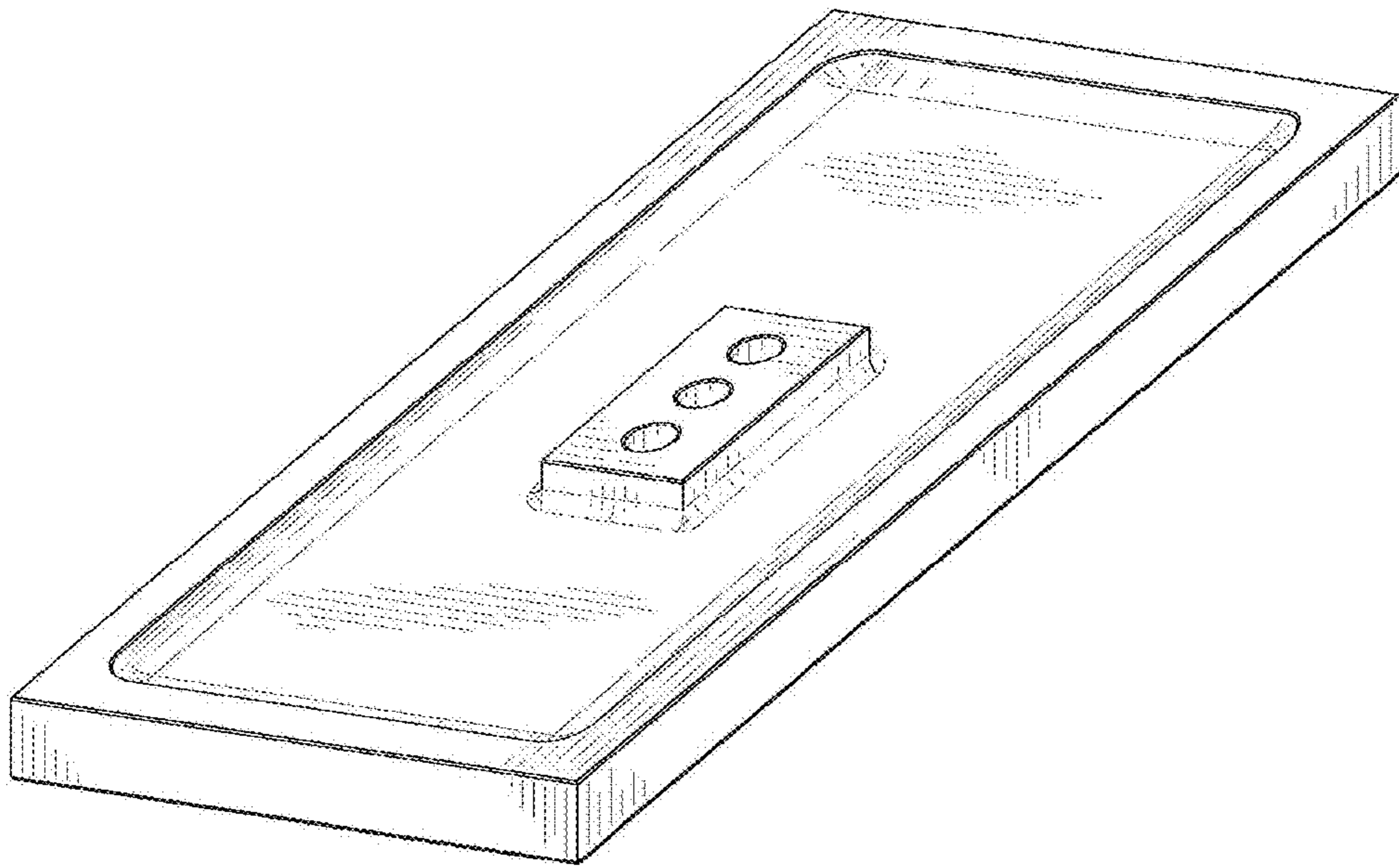


FIG. 1

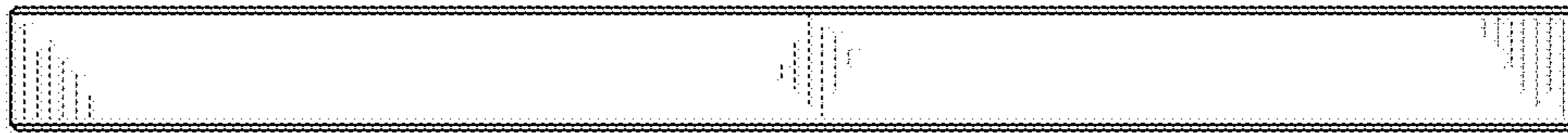


FIG. 2

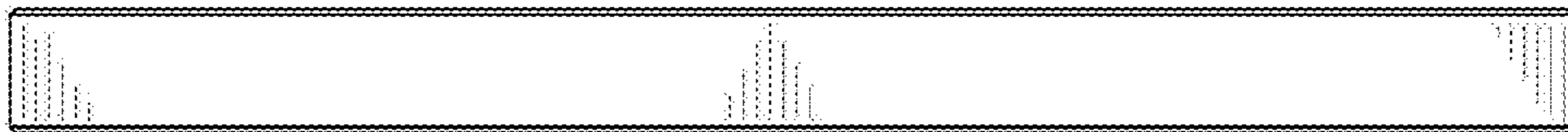


FIG. 3

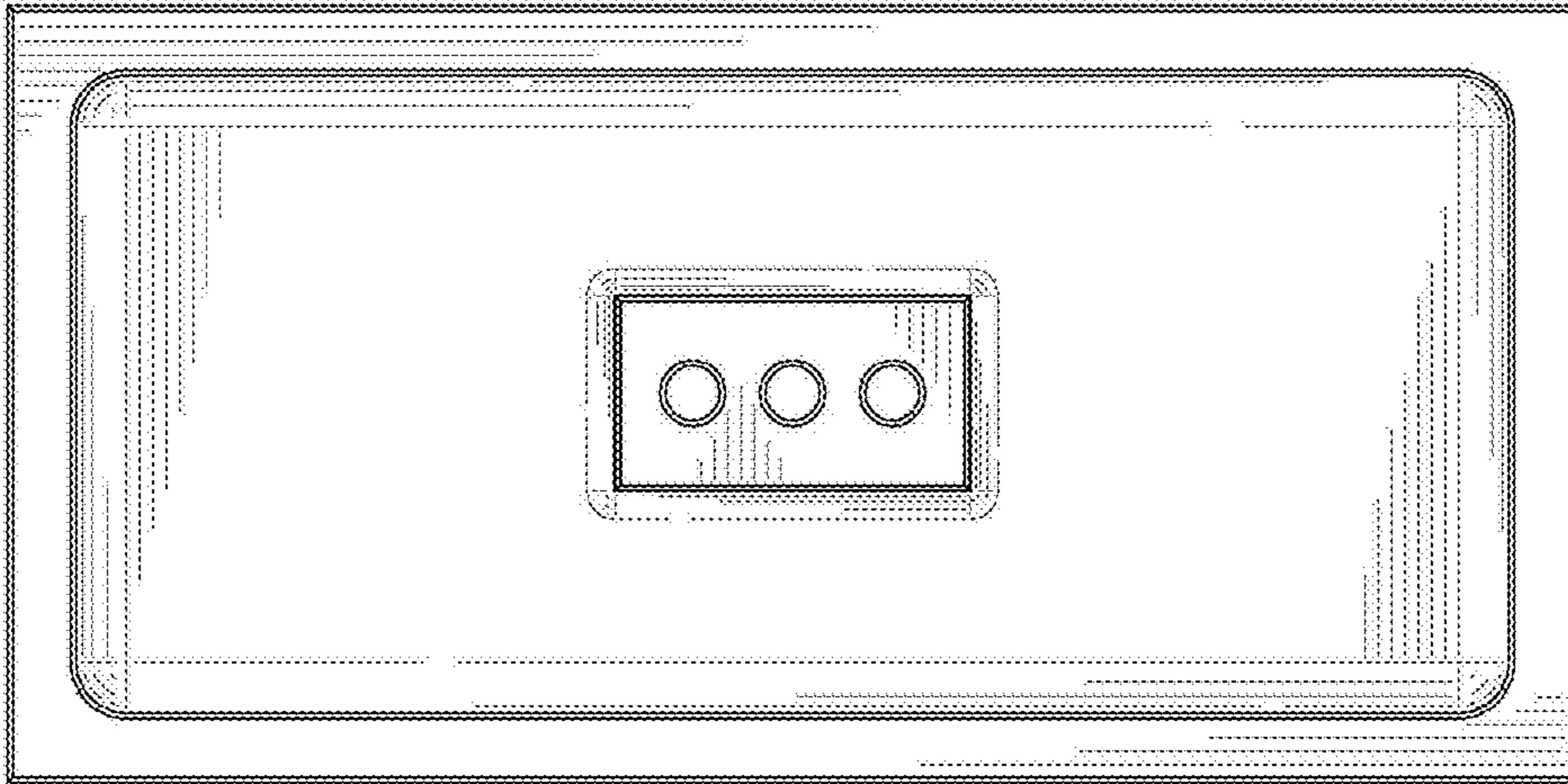


FIG. 4

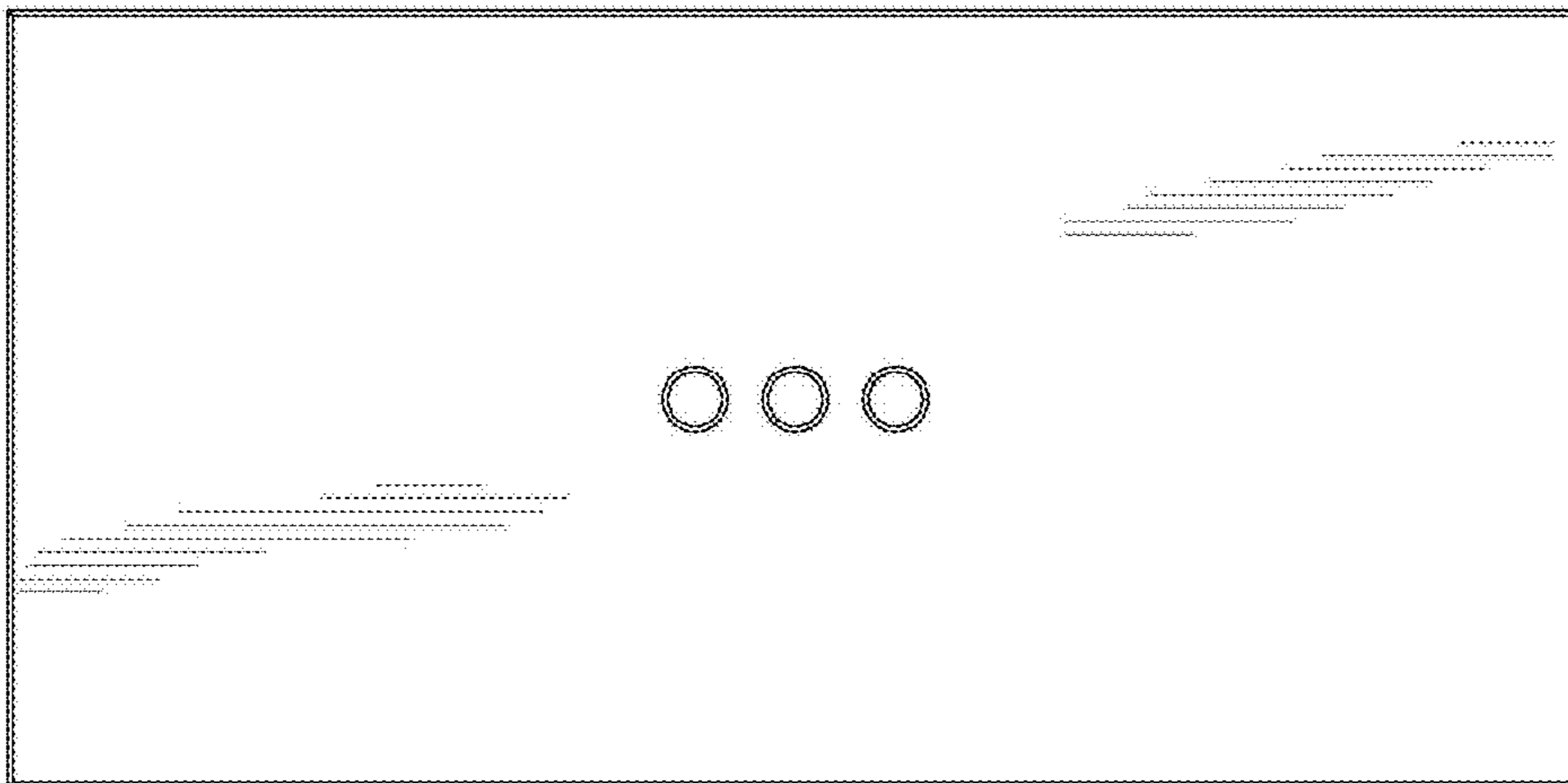


FIG. 5



*FIG. 6*



*FIG. 7*