



US00D811510S

(12) **United States Design Patent**
Rademacher et al.

(10) **Patent No.:** **US D811,510 S**
(45) **Date of Patent:** **** Feb. 27, 2018**

(54) **ELEMENT FOR A FLOATING WATERPARK**

(71) Applicant: **Wibit Sports GmbH**, Bocholt (DE)

(72) Inventors: **Romann Rademacher**, Bocholt (DE);
Robert Cirjak, Bocholt (DE)

(73) Assignee: **Wibit Sports GmbH**, Bocholt (DE)

(**) Term: **15 Years**

(21) Appl. No.: **29/552,369**

(22) Filed: **Jan. 21, 2016**

(30) **Foreign Application Priority Data**

Jul. 21, 2015 (EM) 002740175-0001
Jul. 21, 2015 (EM) 002740175-0002
Jan. 7, 2016 (EM) 002935957-0001

(51) **LOC (11) Cl.** **21-03**

(52) **U.S. Cl.**
USPC **D21/814**

(58) **Field of Classification Search**
USPC D21/698, 801-810, 814, 815, 826, 818,
D21/819, 811; D6/604
CPC A63B 31/00; B63B 2225/60; B63B
2225/605; B63B 2225/62; B63B 35/73;
B63B 35/58; B63B 35/7913; B63B 7/00;
B63B 7/02; B63B 7/04; B63B 7/06;
B63B 7/08

See application file for complete search history.

(56) **References Cited**

U.S. PATENT DOCUMENTS

2,717,399 A * 9/1955 Townsend A47C 15/006
359/895
D258,481 S * 3/1981 Kroll D6/604
4,662,852 A * 5/1987 Schneider A47C 15/006
297/317
4,723,329 A * 2/1988 Vaccaro A47C 15/006
441/129
D306,473 S * 3/1990 Scheurer D21/809

4,932,912 A * 6/1990 Combs B63B 35/73
222/78
D309,169 S * 7/1990 Scheurer D21/809
5,006,082 A * 4/1991 Hwang B63C 9/24
248/640

(Continued)

FOREIGN PATENT DOCUMENTS

WO WO 2014076550 A2 * 5/2014 B63B 35/7913

OTHER PUBLICATIONS

The Sun, Lake Gregory getting new water play structure, posted on Mar. 23, 2014, [online], [site visited on Apr. 26, 2017]. Available from Internet, <URL: <http://www.sbsun.com/lifestyle/20140323/lake-gregory-getting-new-water-play-structure-seasonal-pass-varieties>>.*

(Continued)

Primary Examiner — Sheryl Lane

Assistant Examiner — Samantha N Wood

(74) *Attorney, Agent, or Firm* — Arent Fox LLP

(57) **CLAIM**

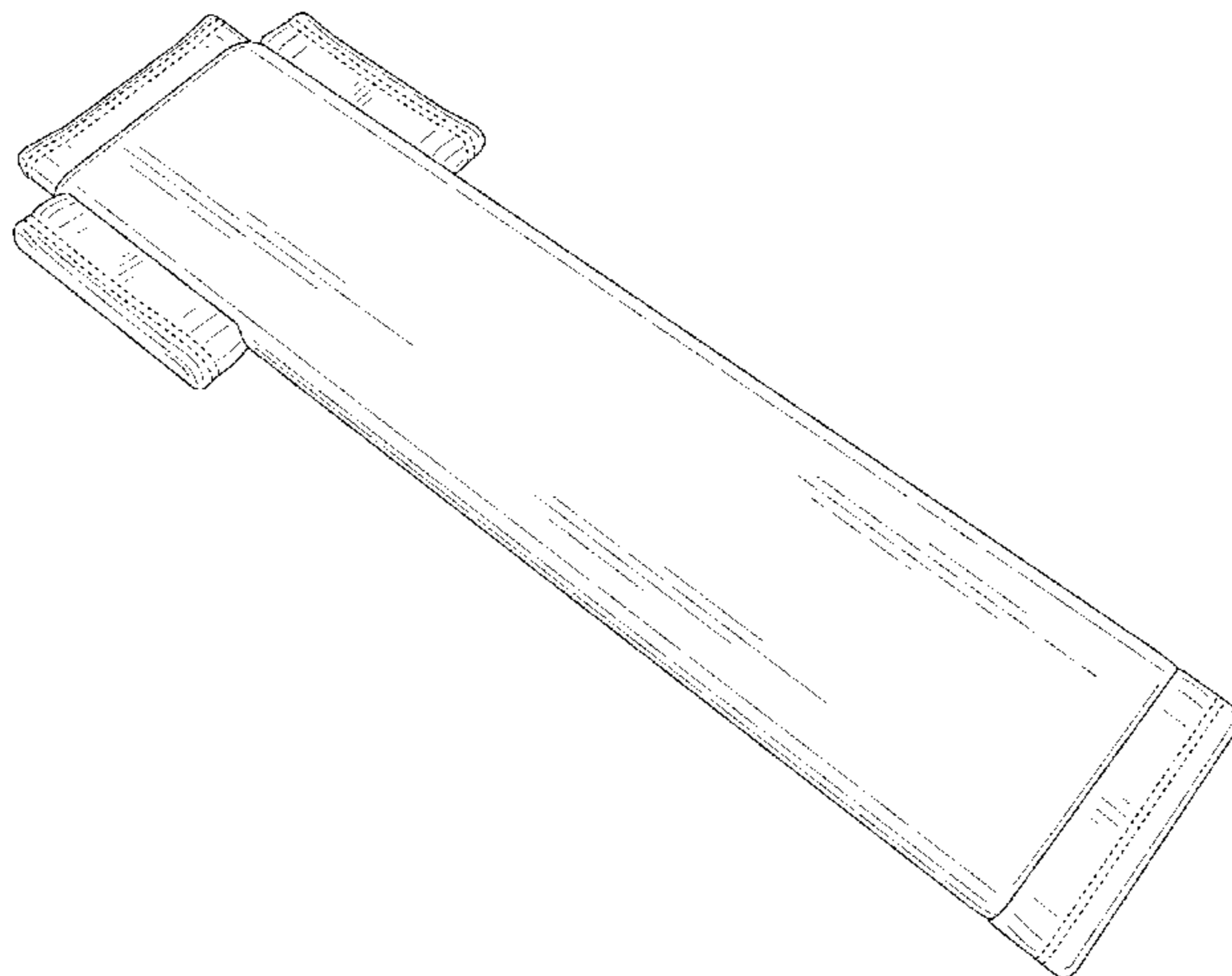
The ornamental design for a element for a floating waterpark, as shown and described.

DESCRIPTION

FIG. 1 is a perspective view of the element for a floating waterpark showing our new design;
FIG. 2 is a top view thereof;
FIG. 3 is a bottom view thereof;
FIG. 4 is a left side view thereof;
FIG. 5 is a right side view thereof;
FIG. 6 is a front side view thereof; and,
FIG. 7 is a back side view thereof.

The broken lines are included for the purpose of illustrating portions of the element for a floating waterpark and form no part of the claimed design.

1 Claim, 7 Drawing Sheets



(56)

References Cited

U.S. PATENT DOCUMENTS

5,233,705 A * 8/1993 Coleman A47C 15/006
4/496
D407,670 S * 4/1999 Muhanna D12/128
D433,474 S * 11/2000 Puyo D21/769
6,322,454 B1 * 11/2001 Gordon A63B 69/0048
472/134
D529,979 S * 10/2006 Peterson D21/803
D571,429 S * 6/2008 Roberts D21/803
D584,911 S * 1/2009 Hisey D21/803
D740,386 S * 10/2015 Herter D21/803
2014/0242861 A1 * 8/2014 Schultz A63B 31/00
441/129
2014/0346824 A1 * 11/2014 Harrison A47C 15/006
297/219.1

OTHER PUBLICATIONS

Alibaba, Hot sale new style animla inflatable water park with climbing stairs, no post date, [online], [site visited on Apr. 26, 2017]. Available from Internet, <URL: https://www.alibaba.com/product-detail/Hot-sale-new-style-animal-inflatable_60618550782.html>.*

Traders City, Inflatable Water Park, posted Apr. 16, 2015, [online], [site visited on Apr. 26, 2017]. Available from Internet, <URL: <http://www.traderscity.com/board/products-1/offers-to-sell-and-export-1/inflatable-water-park-inflatable-aqua-park-toy-games-water-games-473039/>>.*

Water Trampolines, Aquaglide Runway, no post date, [online], [site visited on Apr. 26, 2017]. Available from Internet, <URL: <https://watertrampolines.ca/index.php?c=145&p=139>>.*

* cited by examiner

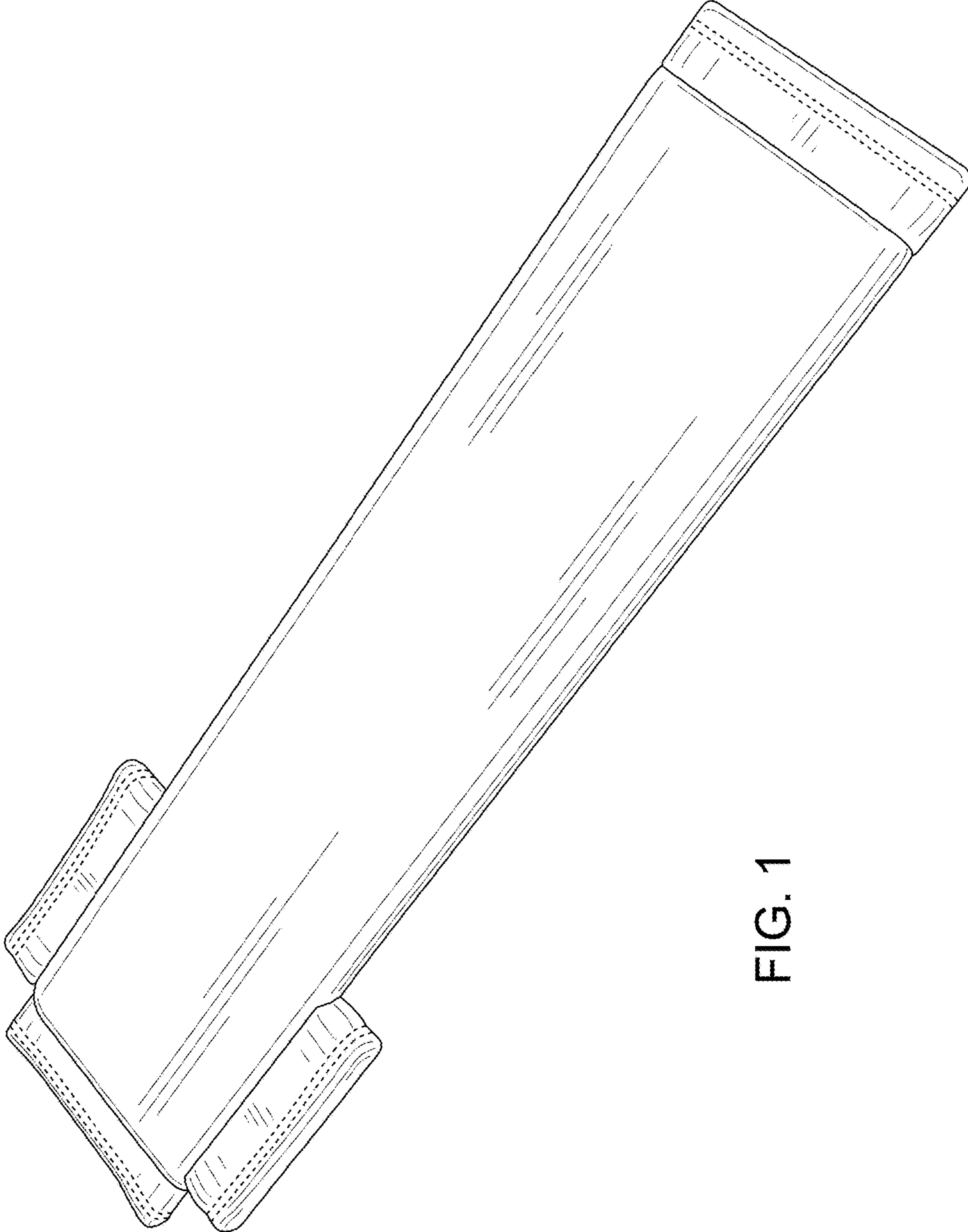


FIG. 1

FIG. 2

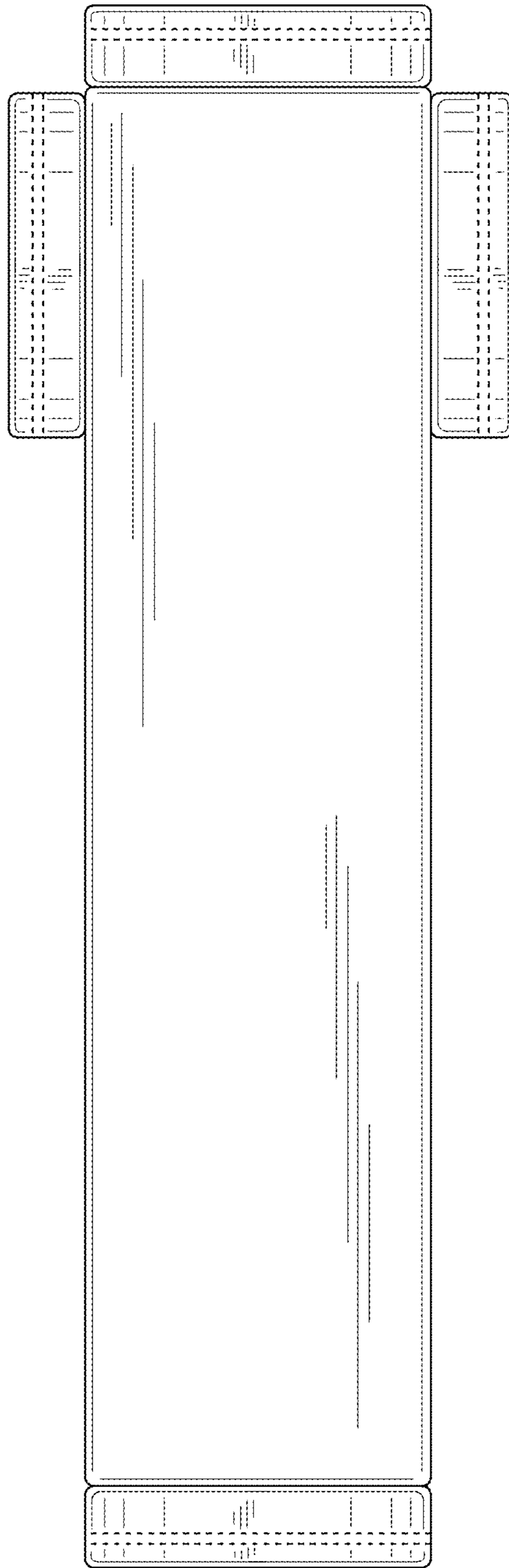


FIG. 3

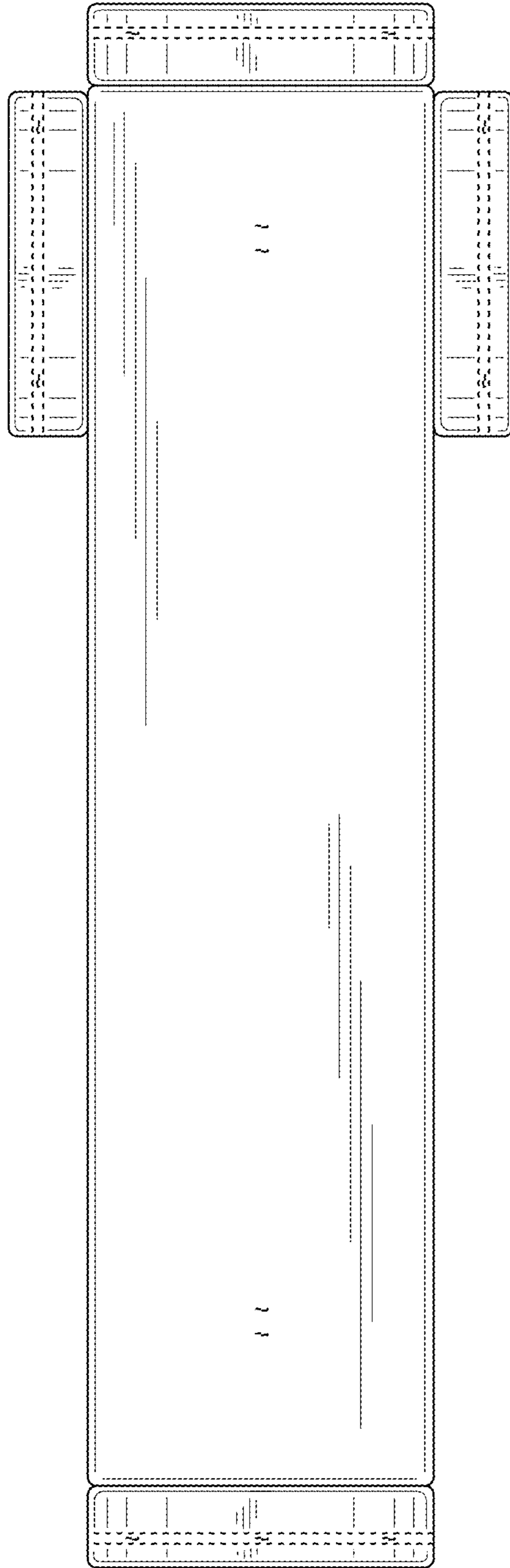


FIG. 4

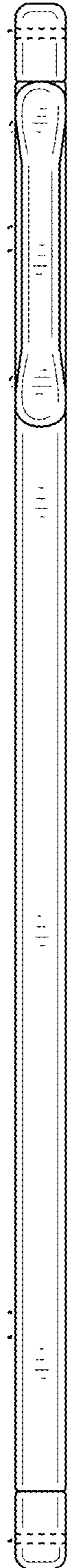


FIG. 5

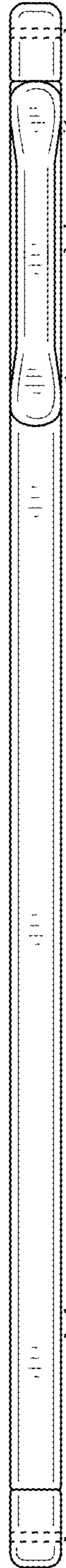


FIG. 6

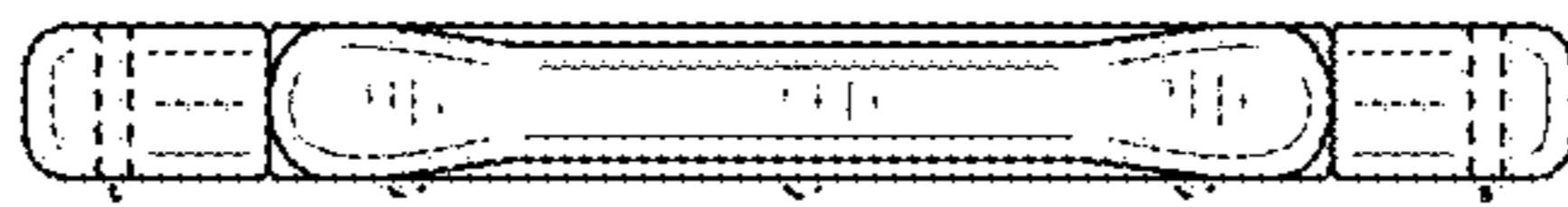


FIG. 7

