



US00D811509S

(12) **United States Design Patent**  
**Levesque**

(10) **Patent No.:** **US D811,509 S**

(45) **Date of Patent:** **\*\* Feb. 27, 2018**

(54) **PAIR OF DUCK SWIM FINS**

(71) Applicant: **Joseph Dennis Levesque**, Murrieta, CA  
(US)

(72) Inventor: **Joseph Dennis Levesque**, Murrieta, CA  
(US)

(\*\*) Term: **15 Years**

(21) Appl. No.: **29/589,095**

(22) Filed: **Dec. 28, 2016**

**Related U.S. Application Data**

(62) Division of application No. 29/517,690, filed on Feb. 16, 2015, now Pat. No. Des. 782,594.

(51) **LOC (11) Cl.** ..... **21-02**

(52) **U.S. Cl.**  
USPC ..... **D21/806**

(58) **Field of Classification Search**  
USPC ..... D21/801, 803, 804, 806, 807; 441/55,  
441/56, 58, 60, 61  
CPC ... A63B 31/10; A63B 31/11; A63B 2031/112;  
A63B 2031/115  
See application file for complete search history.

(56) **References Cited**

**U.S. PATENT DOCUMENTS**

D423,623 S \* 4/2000 Evans ..... D21/806  
D449,667 S \* 10/2001 Evans ..... D21/806

D553,218 S \* 10/2007 Keegan ..... D21/806  
D561,862 S \* 2/2008 Moyal ..... D21/804  
D561,863 S \* 2/2008 Moyal ..... D21/804  
D594,077 S \* 6/2009 Vassallo ..... D21/806  
D613,807 S \* 4/2010 Vassallo ..... D21/804  
D613,808 S \* 4/2010 Vassallo ..... D21/806  
D646,740 S \* 10/2011 Portas ..... D21/806

\* cited by examiner

*Primary Examiner* — Zenia Bennett

(74) *Attorney, Agent, or Firm* — Joel C. Solbach

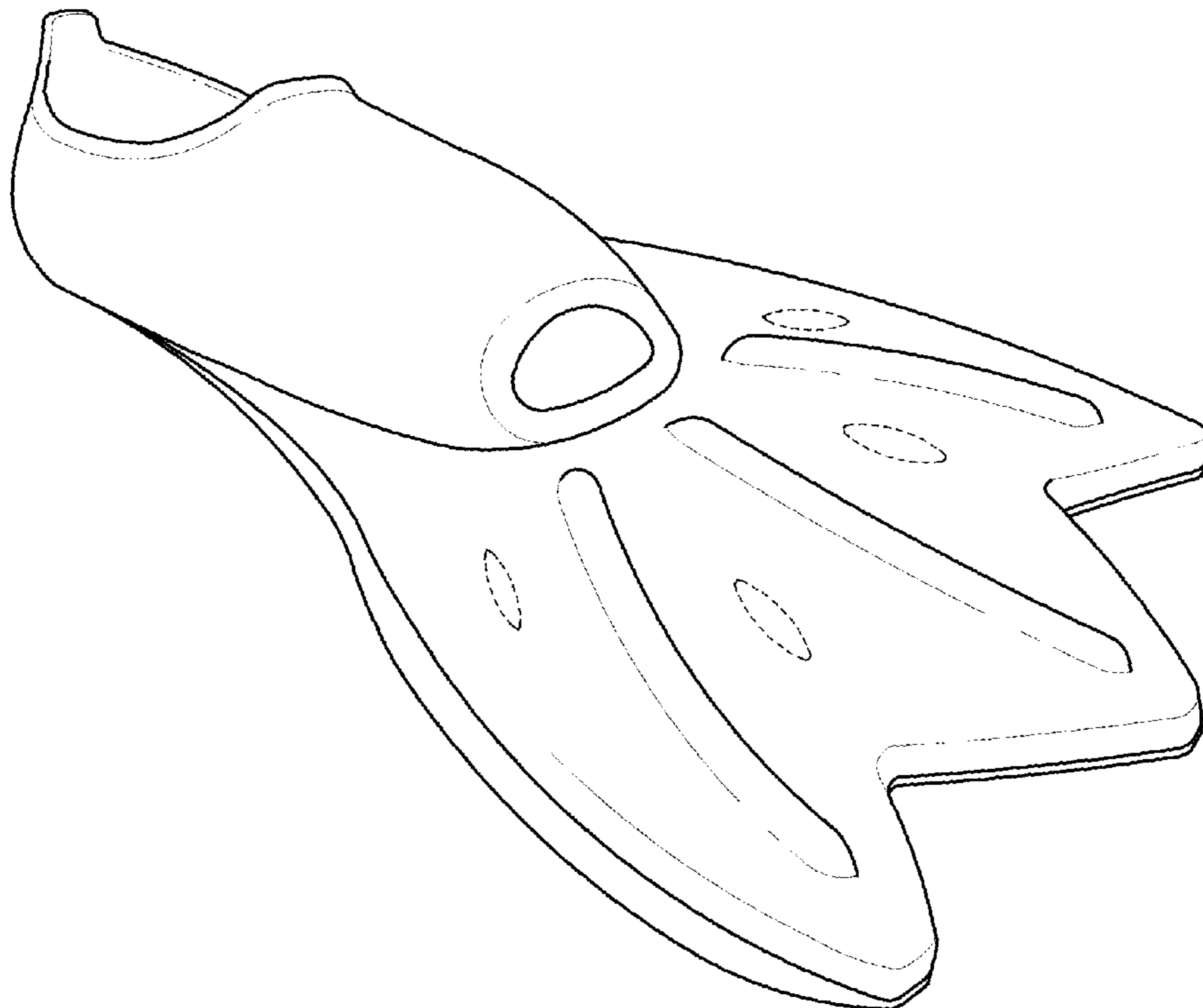
(57) **CLAIM**

The ornamental design for pair of duck swim fins, as shown and described.

**DESCRIPTION**

FIG. 1 is a perspective view of my pair of duck swim fins design;  
FIG. 2 is a front view thereof;  
FIG. 3 is a rear view thereof;  
FIG. 4 is a right side view thereof;  
FIG. 5 is a left side view thereof;  
FIG. 6 is a top view thereof;  
FIG. 7 is a sectional view taken along the center of the top view thereof; and,  
FIG. 8 is a bottom view thereof.  
The article shown is the design for a left foot pair of duck swim fins. The design also includes the article for the right foot which is not shown but is a mirror image of the article shown.

**1 Claim, 5 Drawing Sheets**



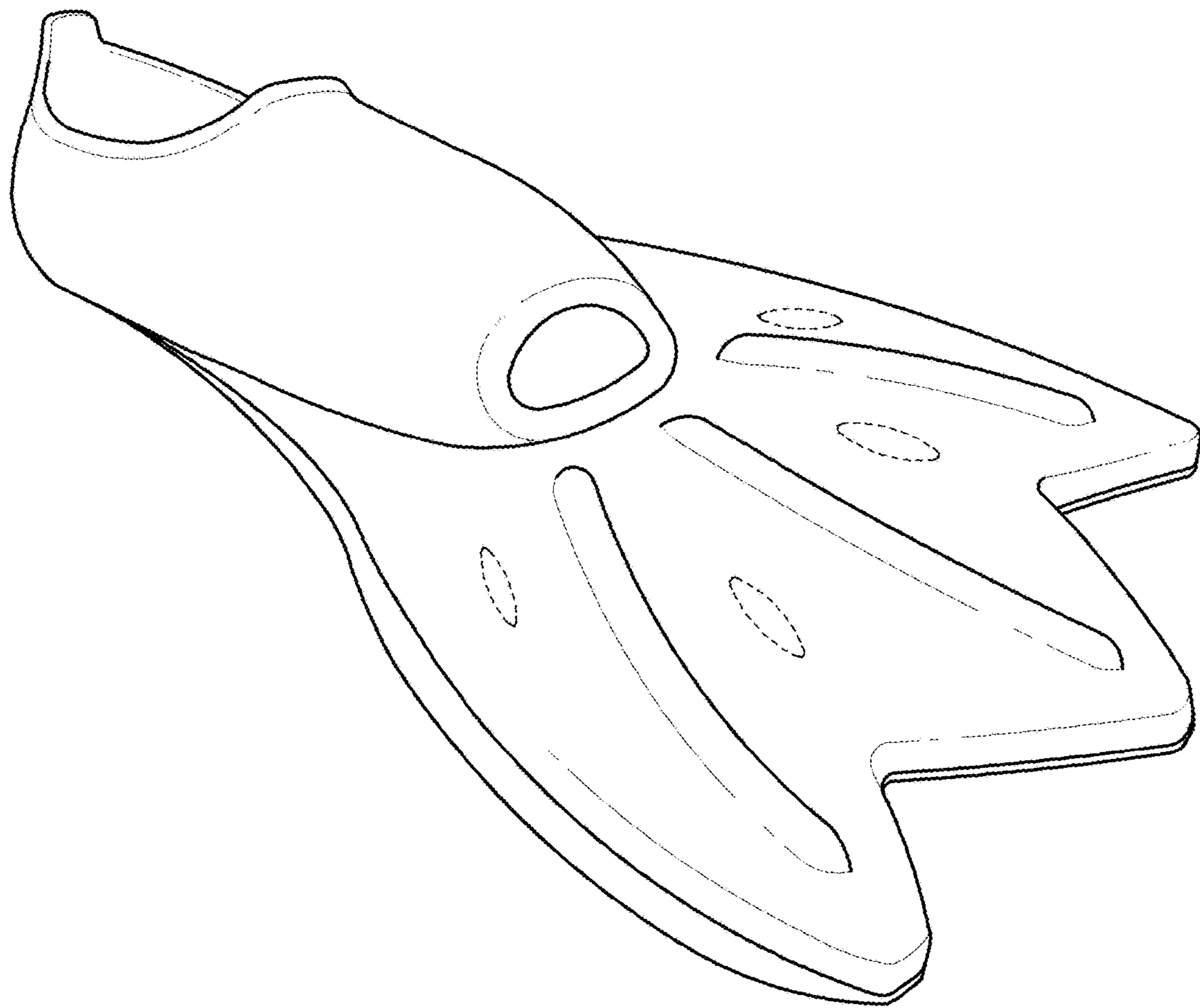


FIG. 1

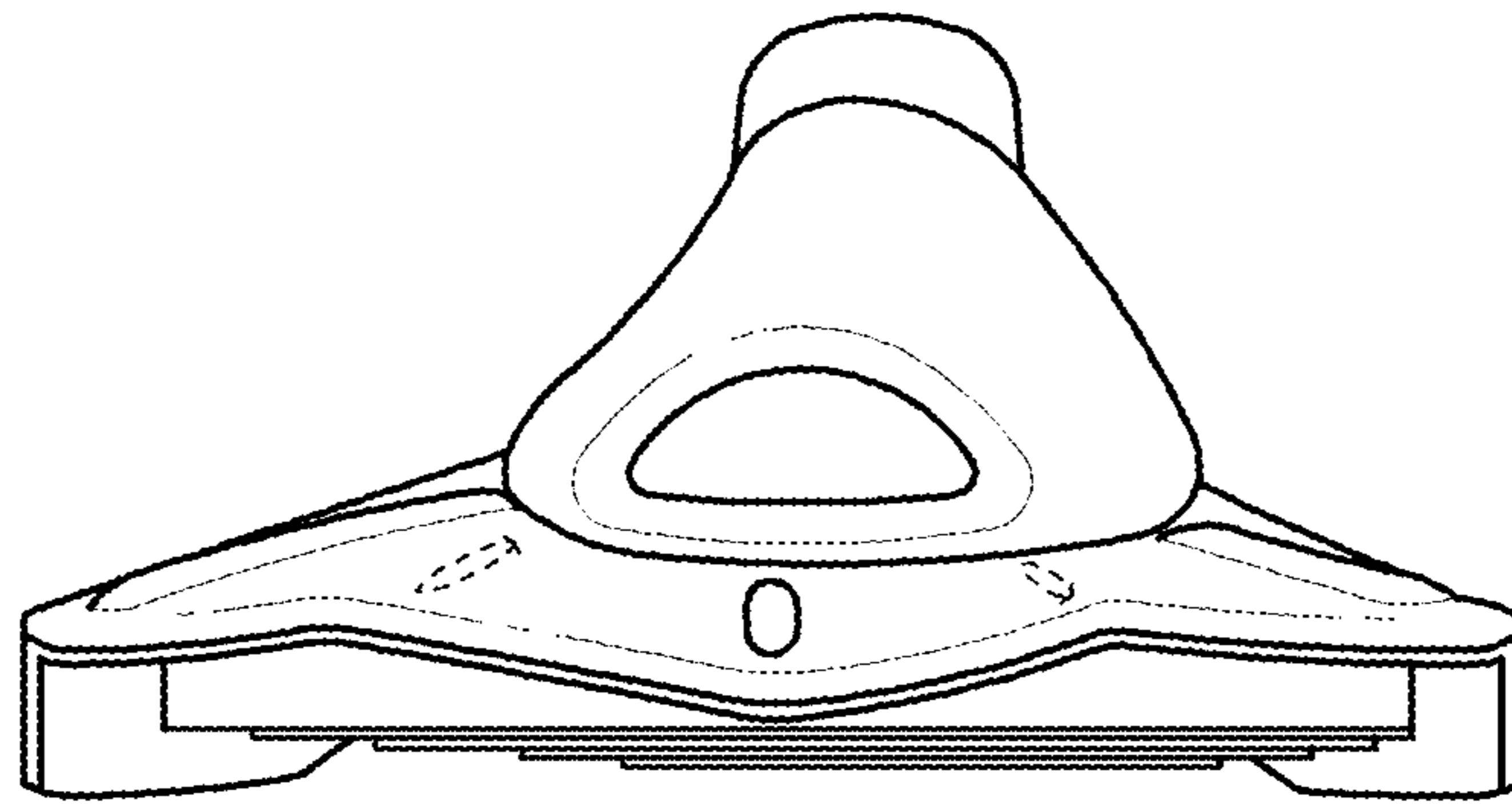


FIG. 2

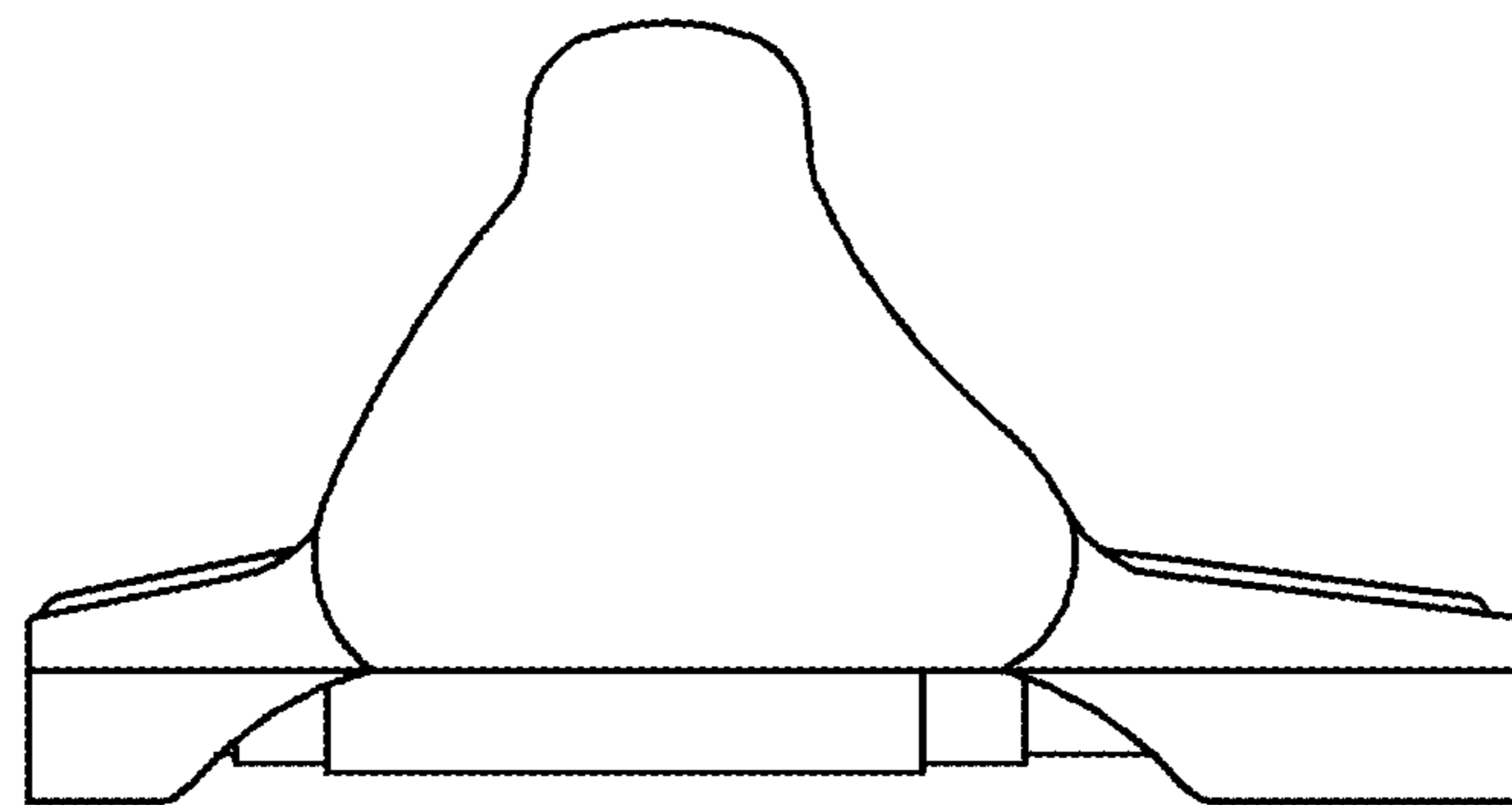


FIG. 3

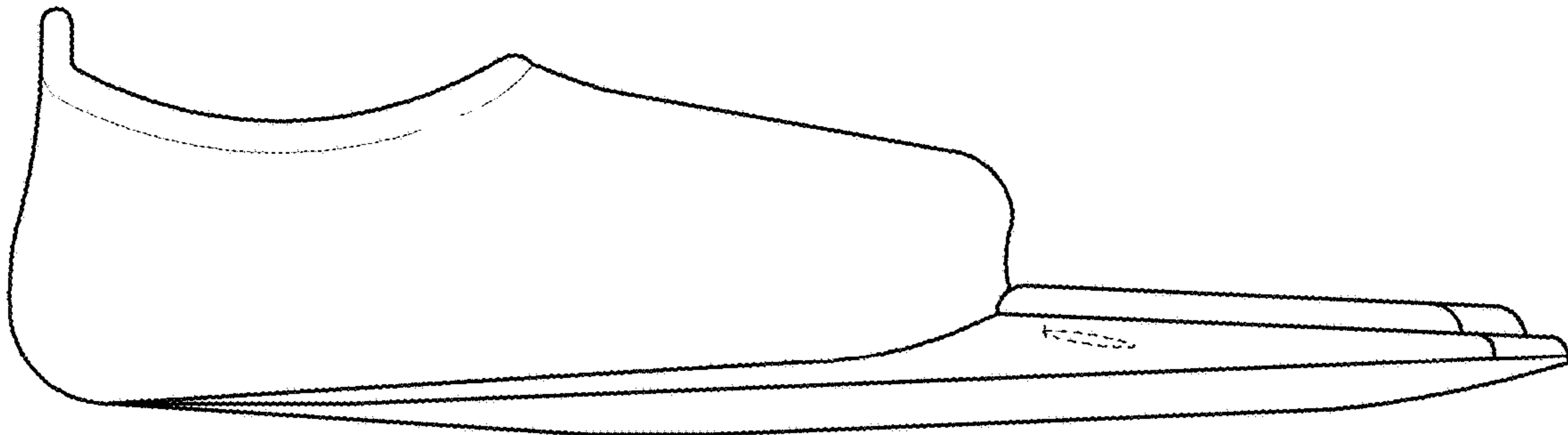


FIG. 4

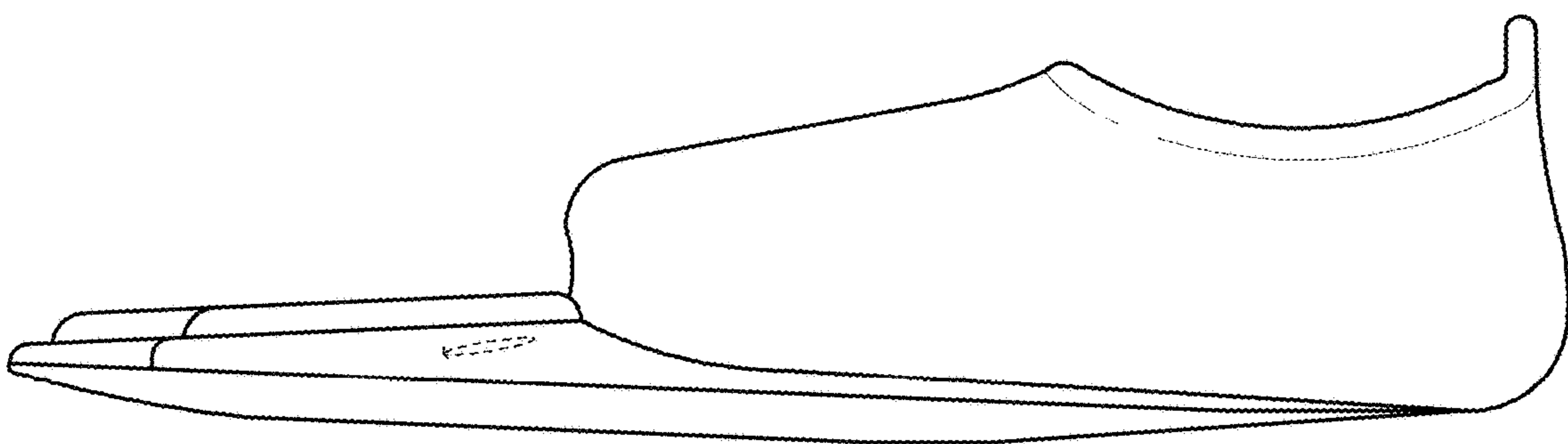


FIG. 5

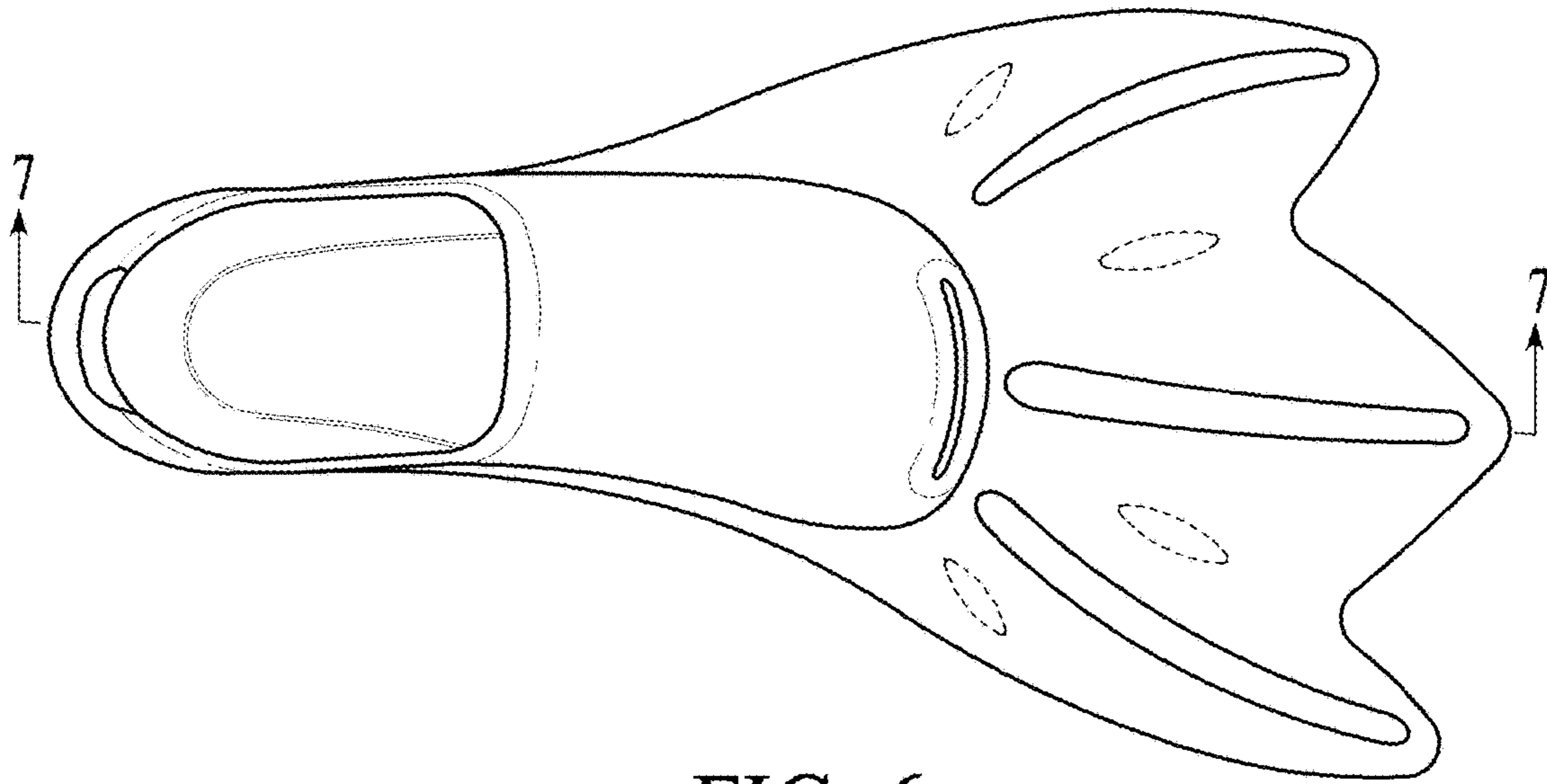


FIG. 6

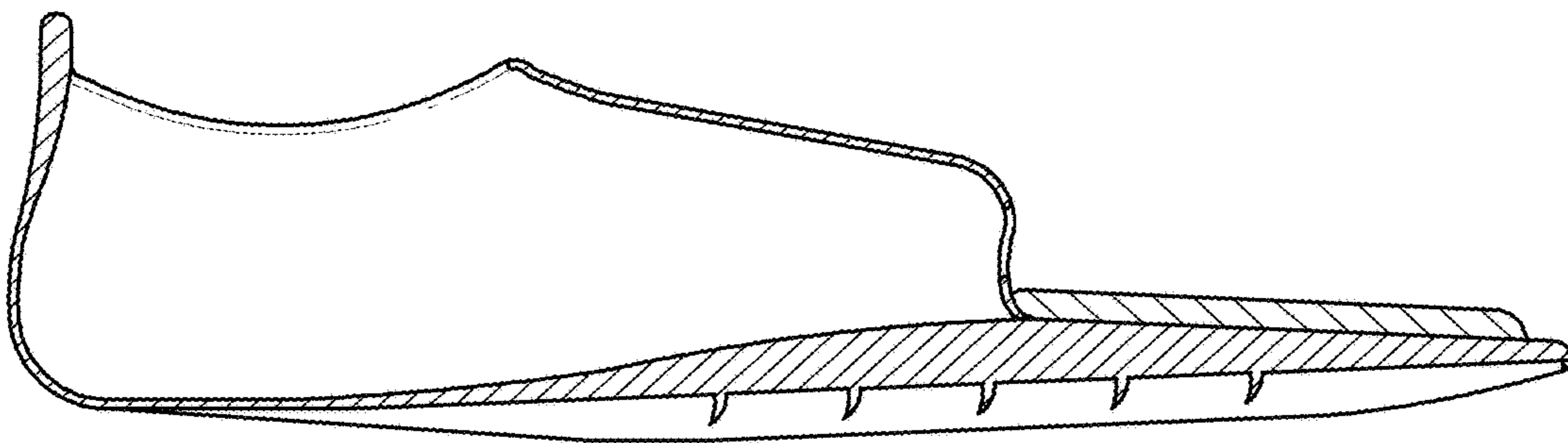


FIG. 7

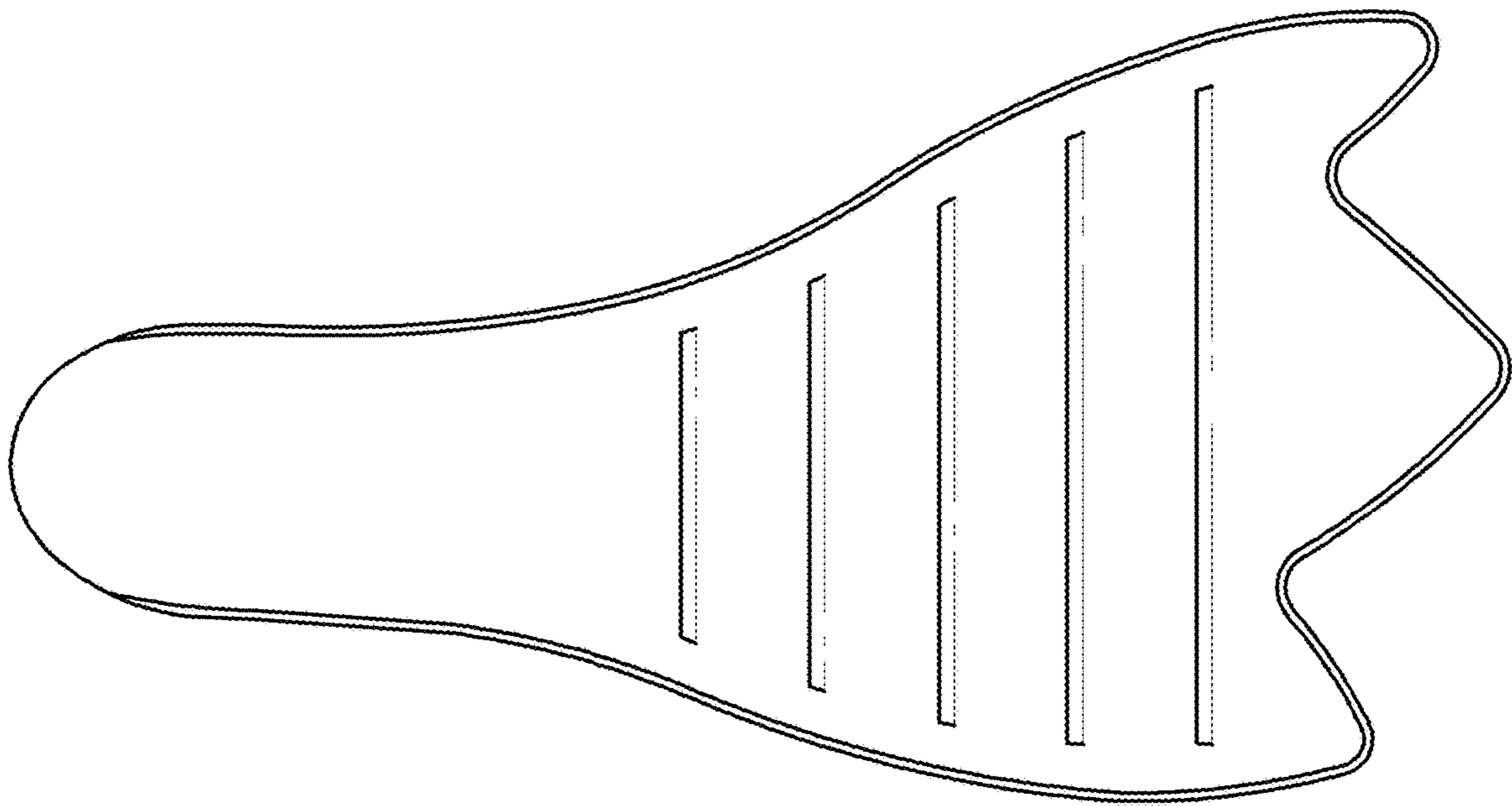


FIG. 8