



US00D811496S

(12) **United States Design Patent** (10) **Patent No.:** **US D811,496 S**
Belker et al. (45) **Date of Patent:** **** Feb. 27, 2018**

(54) **TOY ROBOT EYE**

(71) Applicant: **Anki, Inc.**, San Francisco, CA (US)

(72) Inventors: **Harald Belker**, Marina Del Ray, CA (US); **David McVicar**, El Dorado, CA (US); **Hanns Tappeiner**, San Francisco, CA (US)

(73) Assignee: **Anki, Inc.**, San Francisco, CA (US)

(**) Term: **15 Years**

(21) Appl. No.: **29/576,976**

(22) Filed: **Sep. 8, 2016**

(51) **LOC (11) Cl.** **21-01**

(52) **U.S. Cl.**
USPC **D21/659**

(58) **Field of Classification Search**
USPC D6/598; D11/158, 162; D21/552–561,
D21/576–595, 630, 658–661;
(Continued)

(56) **References Cited**

U.S. PATENT DOCUMENTS

D52,659 S * 11/1918 Humbert D21/659
D52,823 S * 12/1918 Humbert D21/659
(Continued)

Primary Examiner — Sandra L Morris

(74) *Attorney, Agent, or Firm* — Fish & Richardson P.C.

(57) **CLAIM**

The ornamental design for a toy robot eye, as shown and described.

DESCRIPTION

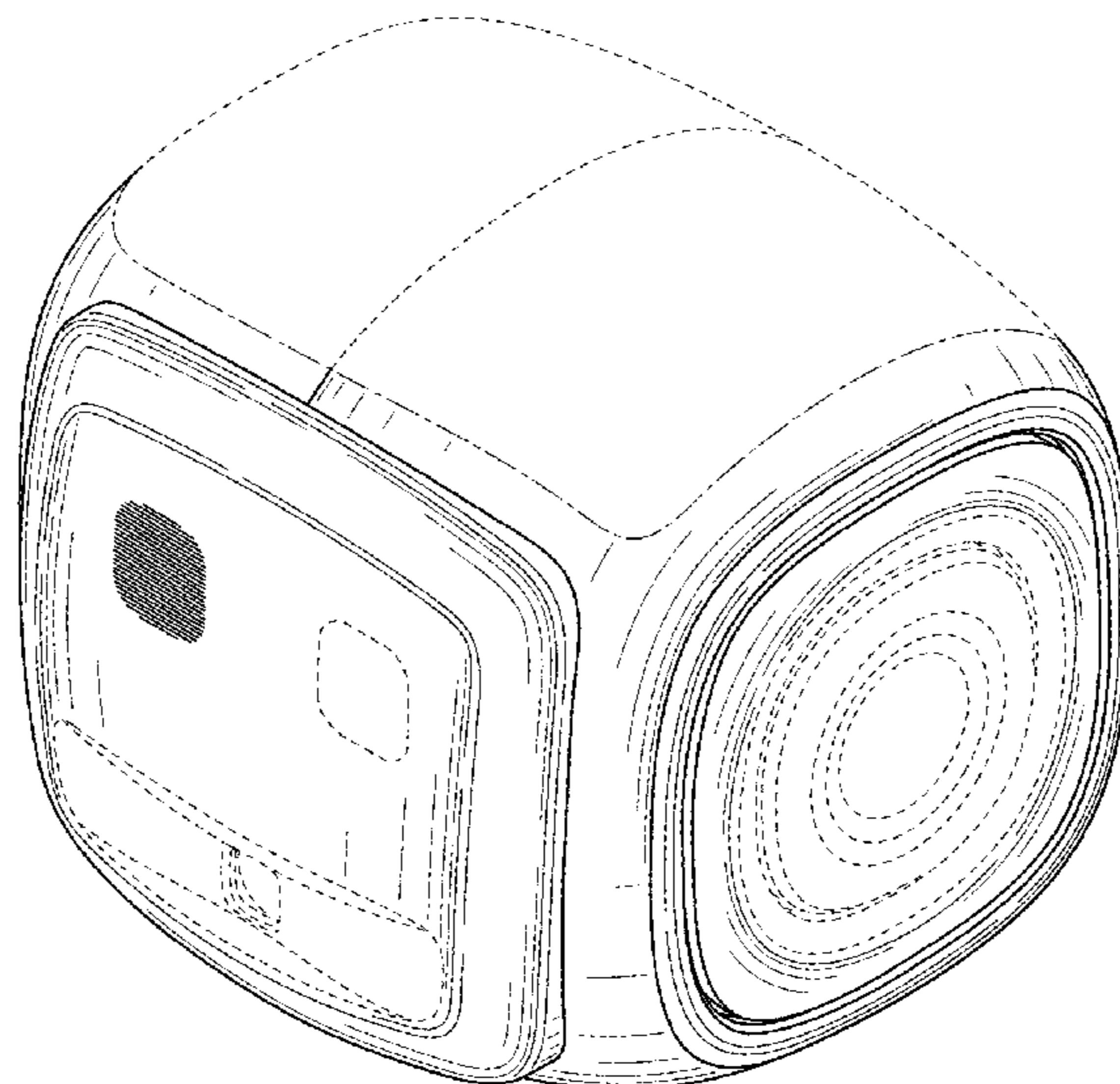
The present application is related to U.S. Design patent application Ser. No. 29/576,971, entitled “Toy Robot Body”,

filed concurrently herewith, and to U.S. Design patent application Ser. No. 29/576,972, entitled “Toy Robot Body”, filed concurrently herewith, and to U.S. Design patent application Ser. No. 29/576,973, entitled “Toy Robot Head”, filed concurrently herewith, and to U.S. Design patent application Ser. No. 29/576,974, entitled “Toy Robot Head”, filed concurrently herewith, and to U.S. Design patent application Ser. No. 29/576,978, entitled “Toy Robot Eyes”, filed concurrently herewith, and to U.S. Design patent application Ser. No. 29/576,983, entitled “Toy Robot Arms”, filed concurrently herewith, and to U.S. Design patent application Ser. No. 29/576,986, entitled “Toy Robot Arm”, filed concurrently herewith, and to U.S. Design patent application Ser. No. 29/576,991, entitled “Toy Robot Arm”, filed concurrently herewith, the entire disclosures all of which are incorporated herein by reference.

FIG. 1 is a front perspective view of a toy robot eye according to a first embodiment of our design; FIG. 2 is a front elevational view thereof; FIG. 3 is a rear elevational view thereof; FIG. 4 is a right side elevational view thereof; FIG. 5 is a left side elevational view thereof; FIG. 6 is a top plan view thereof; FIG. 7 is a bottom plan view thereof; FIG. 8 is a front perspective view of a toy robot eye according to a second embodiment of our design; FIG. 9 is a front elevational view thereof; FIG. 10 is a rear elevational view thereof; FIG. 11 is a right side elevational view thereof; FIG. 12 is a left side elevational view thereof; FIG. 13 is a top plan view thereof; and, FIG. 14 is a bottom plan view thereof.

The broken lines illustrate unclaimed environmental structure and form no part of the claimed design. The dot-dash broken lines represent unclaimed boundaries and form no part of the claimed design.

1 Claim, 8 Drawing Sheets



US D811,496 S

Page 2

(58) **Field of Classification Search**

USPC 446/368-369, 376, 428, 487; 180/8.6;
D15/199; D14/126, 494-495
CPC ... A63H 3/00; A63H 3/02; A63H 3/04; A63H
3/16; A63H 3/28; A63H 33/00; A63H
7/06; A63H 11/00; A63H 11/10; A63H
11/20; A63H 13/00

See application file for complete search history.

(56) **References Cited**

U.S. PATENT DOCUMENTS

3,103,762 A * 9/1963 Glass A63H 13/00
446/308
4,282,677 A * 8/1981 Abe A63H 13/04
446/300
D321,021 S * 10/1991 Ortega D21/627
D438,874 S * 3/2001 Flamini D14/495
D452,889 S * 1/2002 Kawakita D21/659
6,558,225 B1 * 5/2003 Rehkemper A63H 3/003
446/268
D500,099 S * 12/2004 Gioffre D21/627
D536,045 S * 1/2007 Judkins D21/578

D572,726 S * 7/2008 Guimaraes D14/495
D585,036 S * 1/2009 Riggs D14/126
7,766,716 B2 * 8/2010 Fong A63H 3/16
D21/595
D630,269 S * 1/2011 Matsuda D21/578
D639,353 S * 6/2011 Stibolt D21/578
D644,257 S * 8/2011 Kitano D15/199
D678,326 S * 3/2013 Lee D14/494
D681,052 S * 4/2013 Woo D14/492
D695,345 S * 12/2013 Park D19/59
D703,684 S * 4/2014 Morse D14/486
D706,829 S * 6/2014 Jones D14/494
D720,378 S * 12/2014 Dye D15/199
D727,359 S * 4/2015 Myung D14/495
D730,405 S * 5/2015 Yu D14/495
D731,551 S * 6/2015 Kadosh D14/494
D731,553 S * 6/2015 Kadosh D14/495
D742,920 S * 11/2015 Yu D14/495
D757,115 S * 5/2016 Butcher D14/495
D760,794 S * 7/2016 Jaini D14/494
D763,300 S * 8/2016 Murillo D14/494
D764,521 S * 8/2016 Murillo D14/494
D765,131 S * 8/2016 Murillo D14/494
9,463,392 B2 * 10/2016 Bella-Martorell A63H 3/00

* cited by examiner

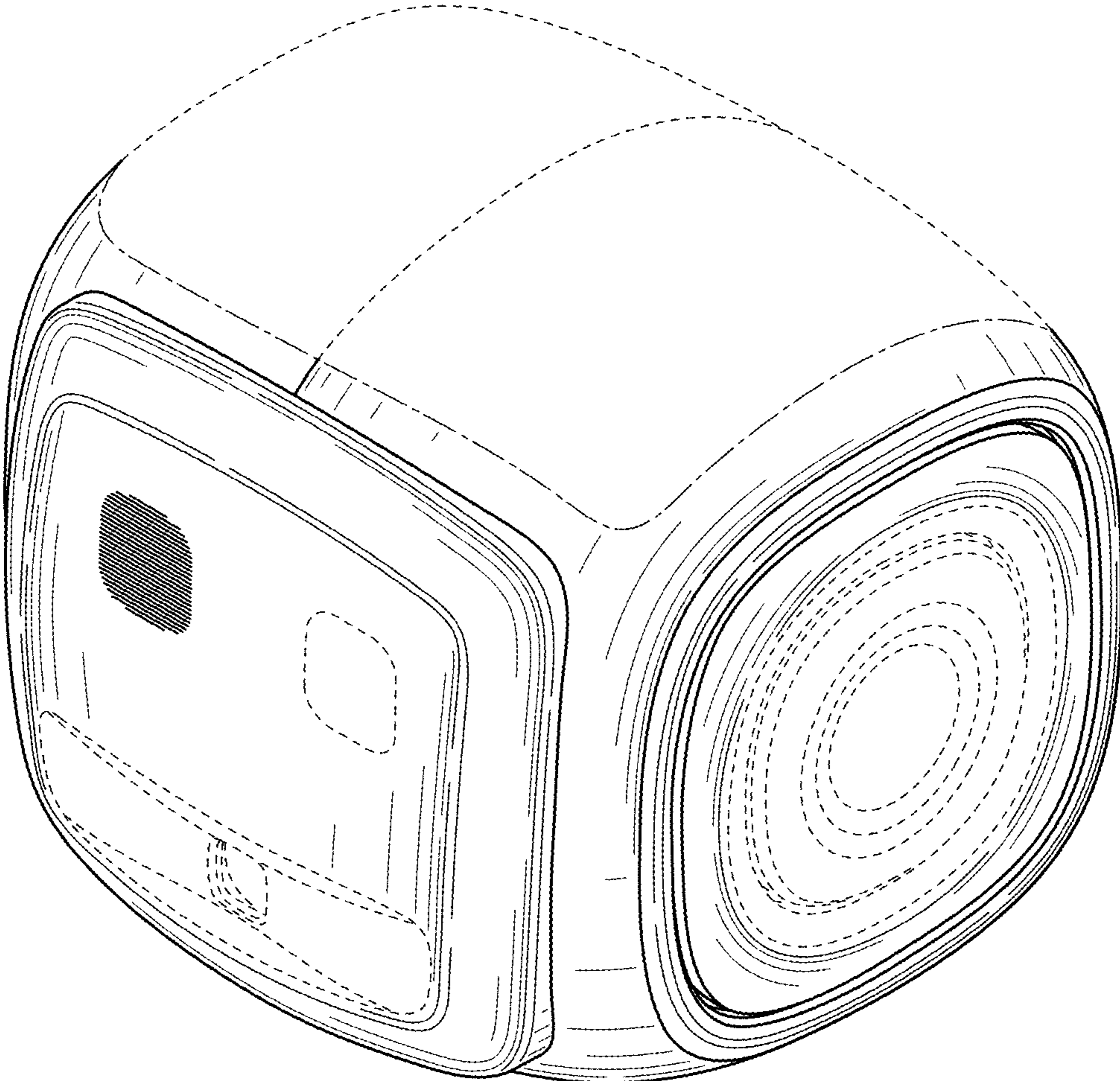


FIG. 1

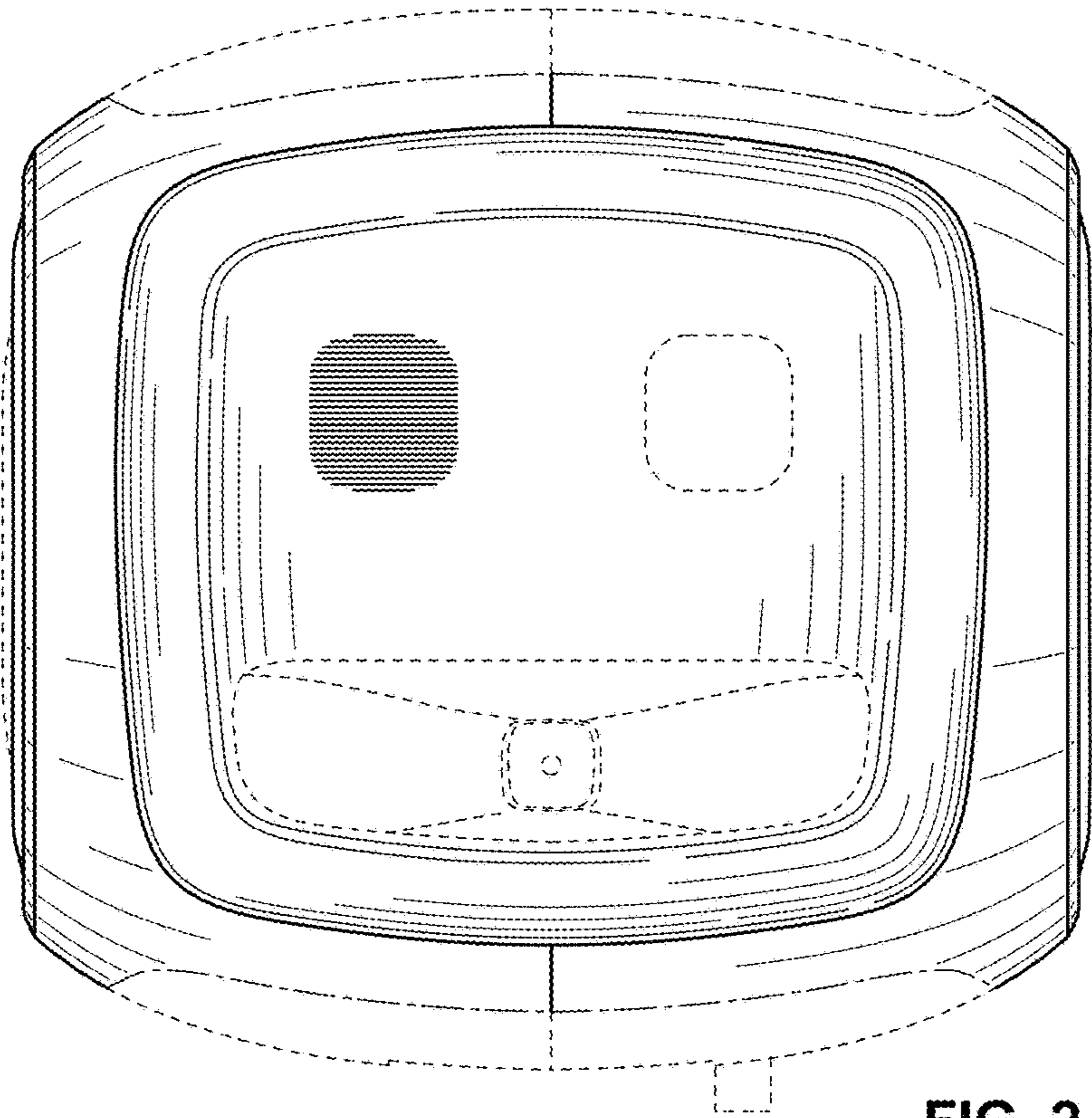


FIG. 2

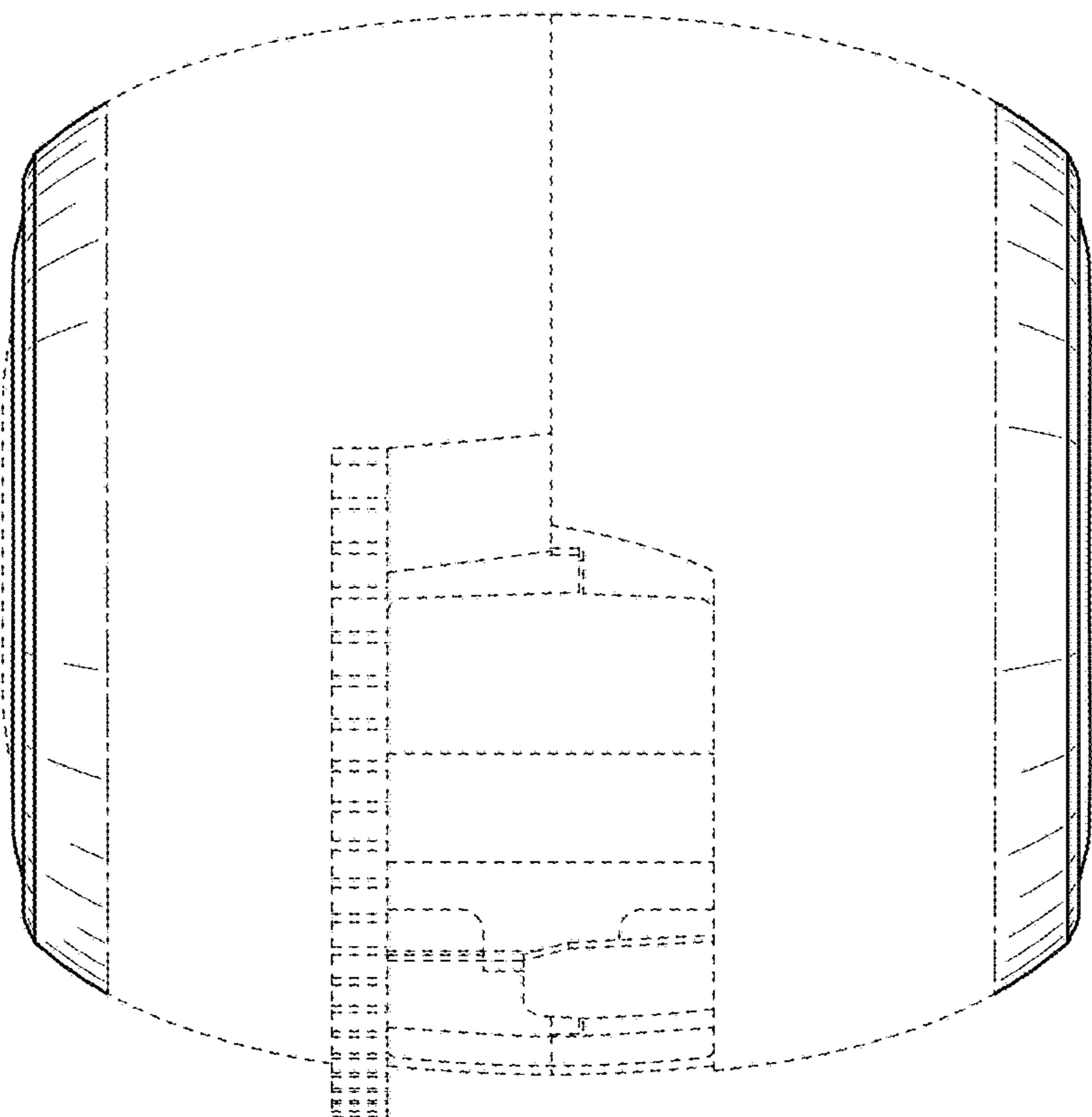


FIG. 3

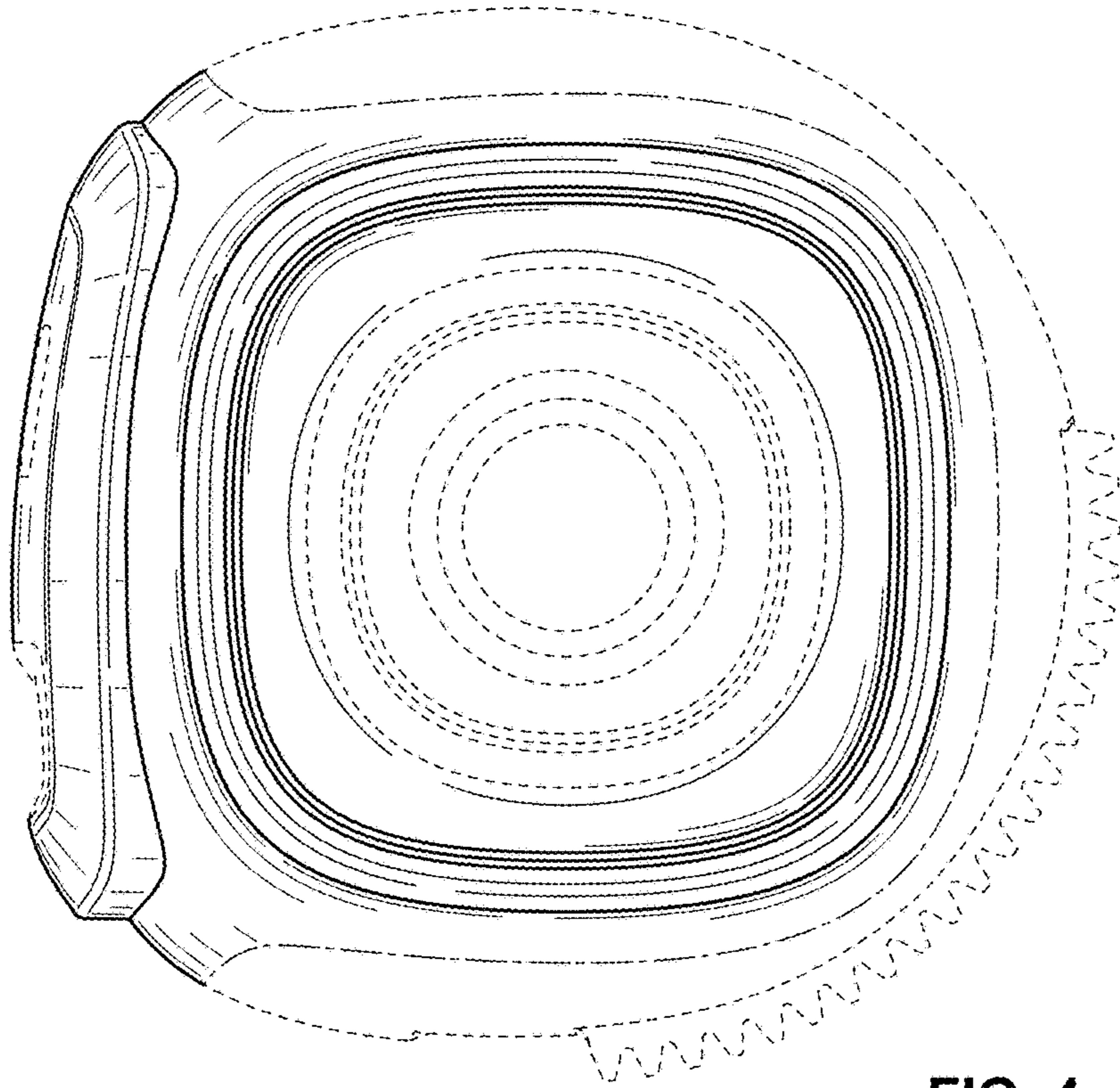


FIG. 4

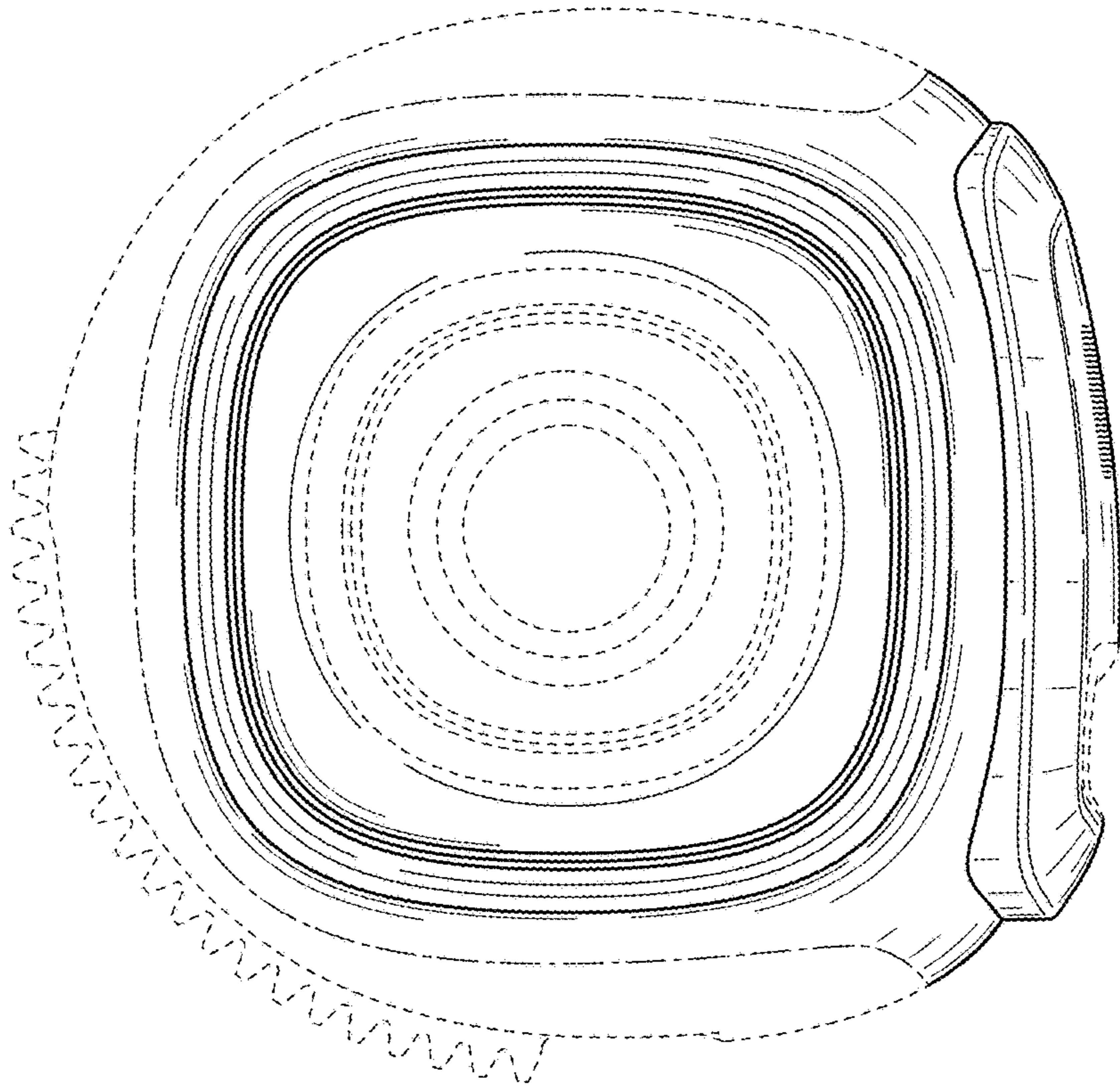


FIG. 5

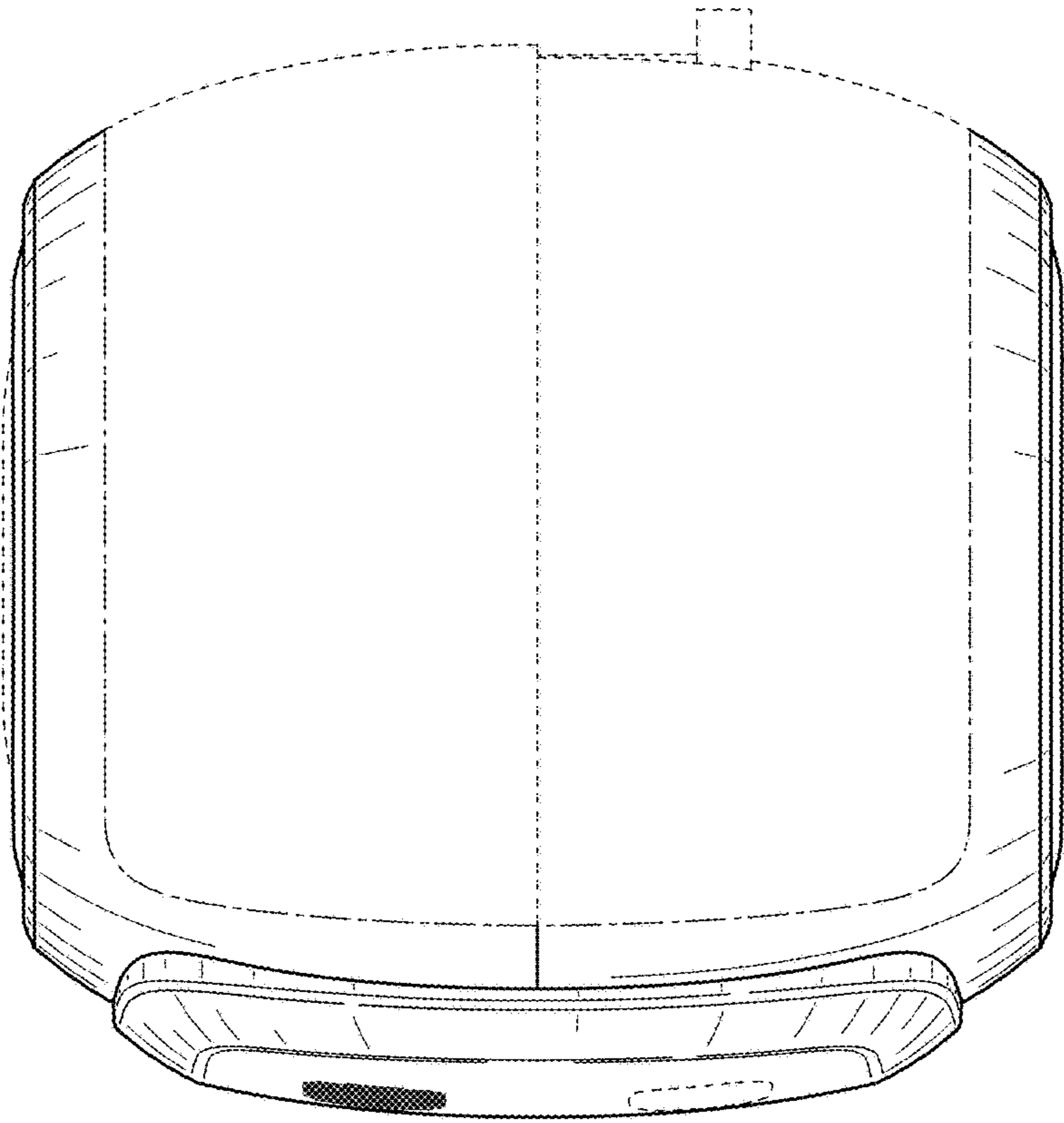


FIG. 6

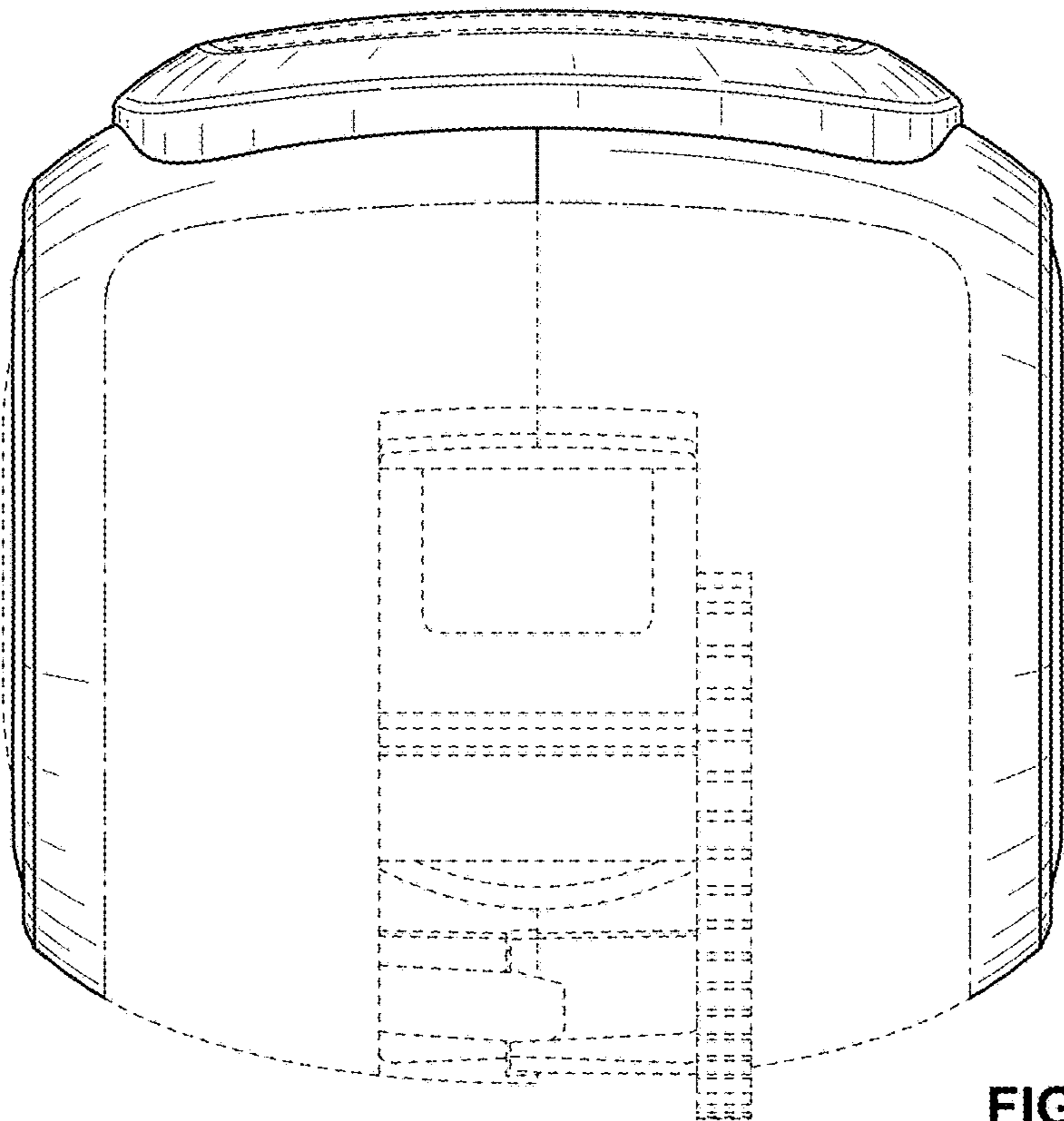


FIG. 7

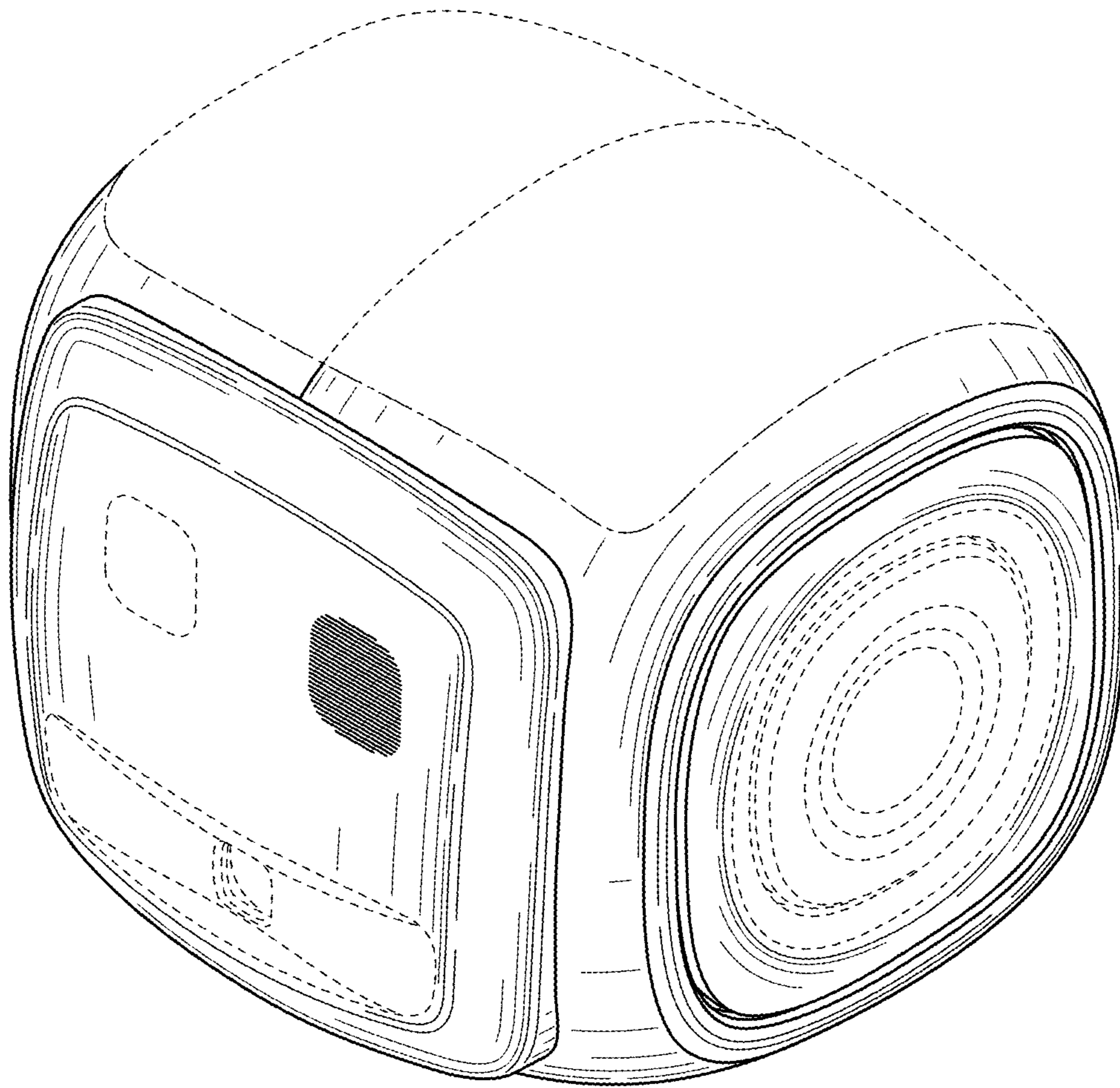


FIG. 8

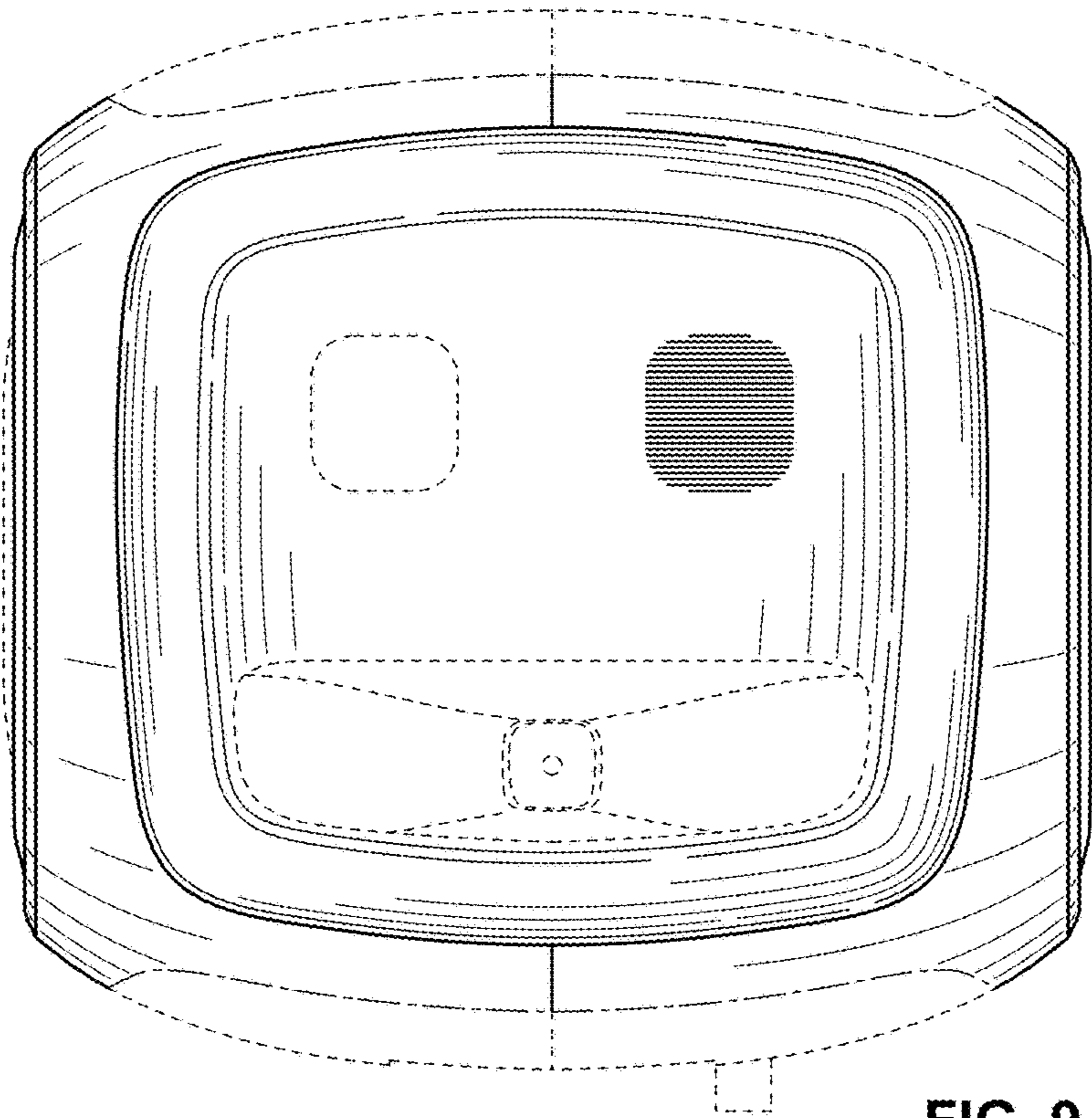


FIG. 9

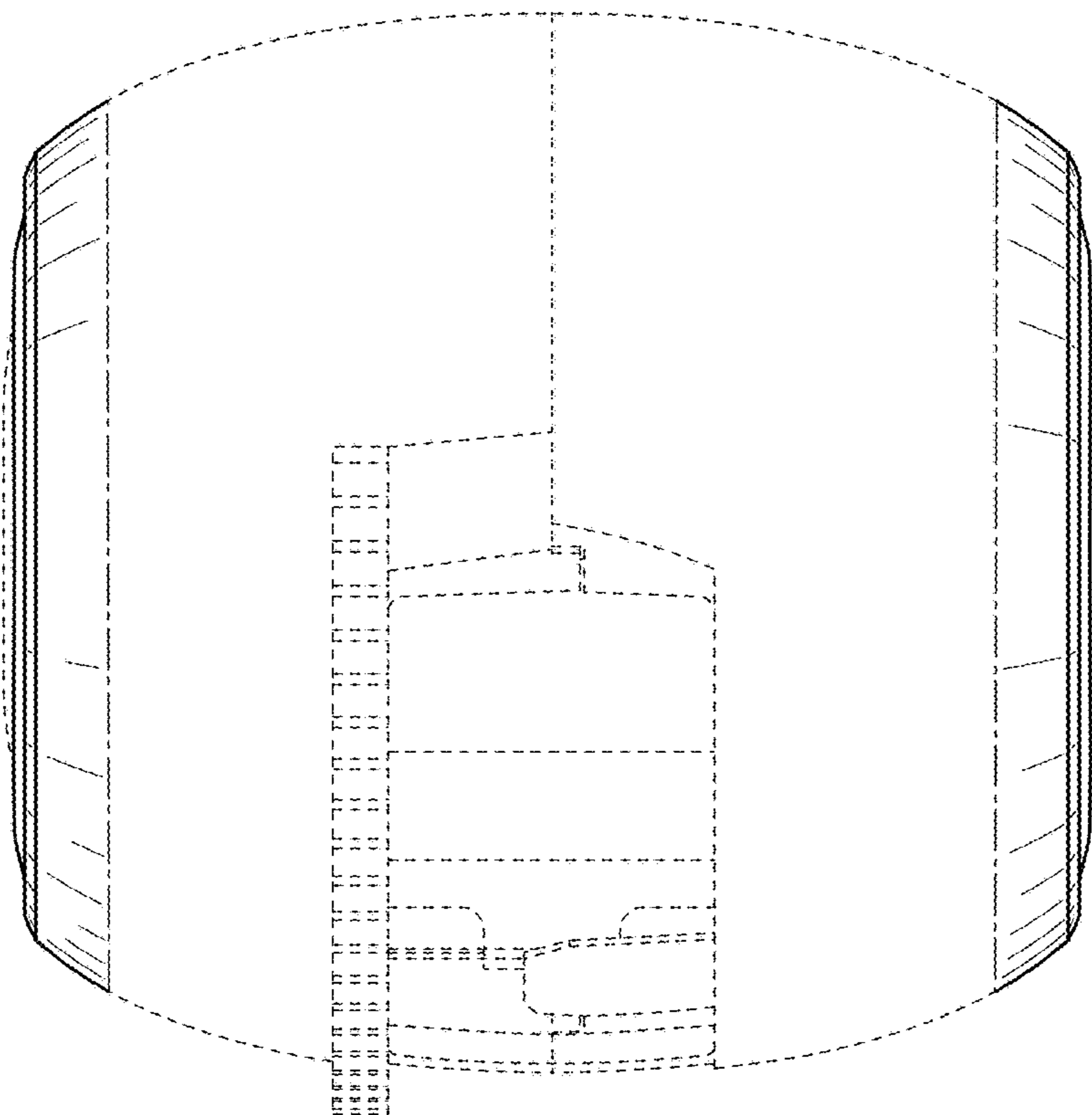


FIG. 10

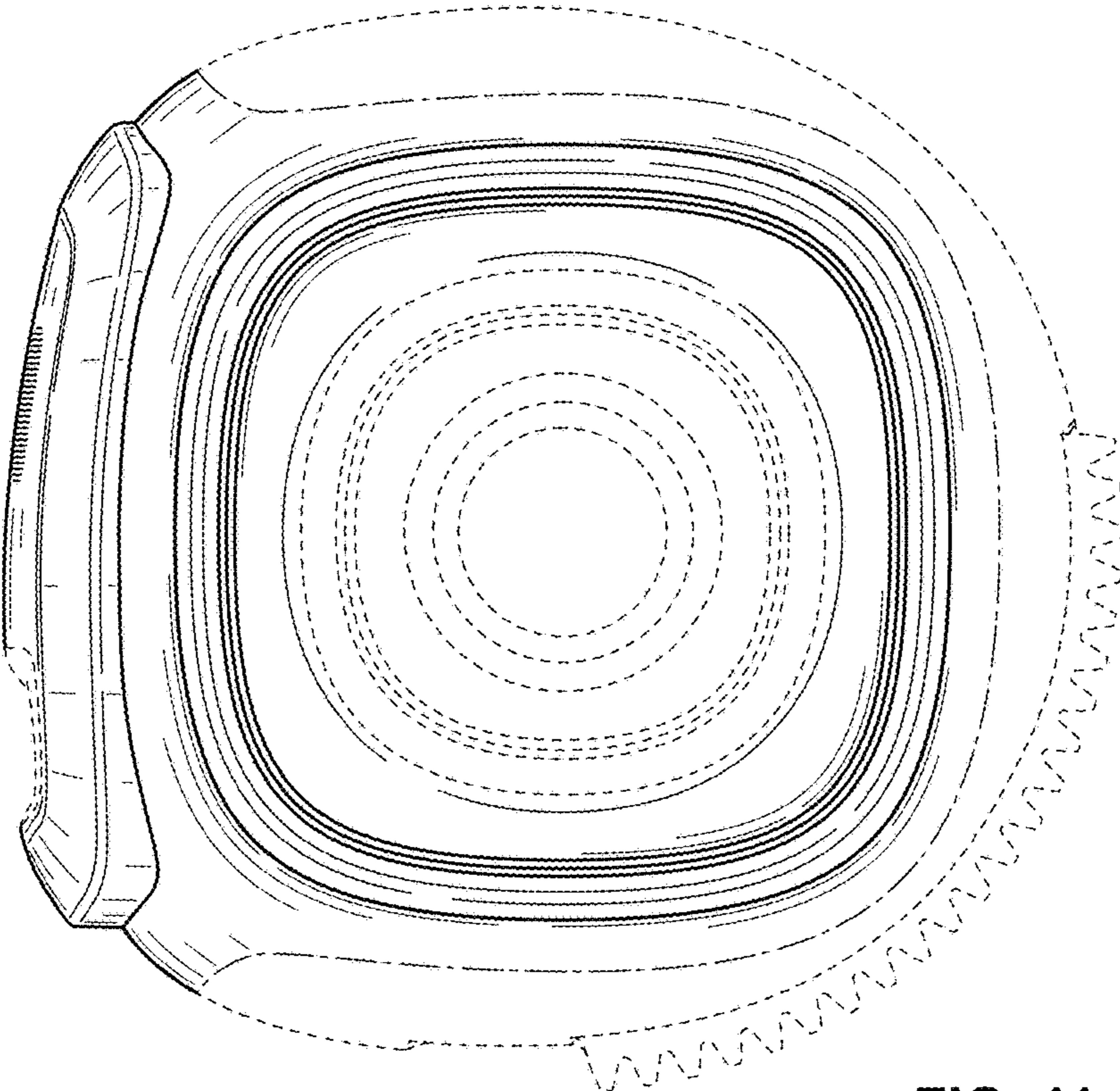


FIG. 11

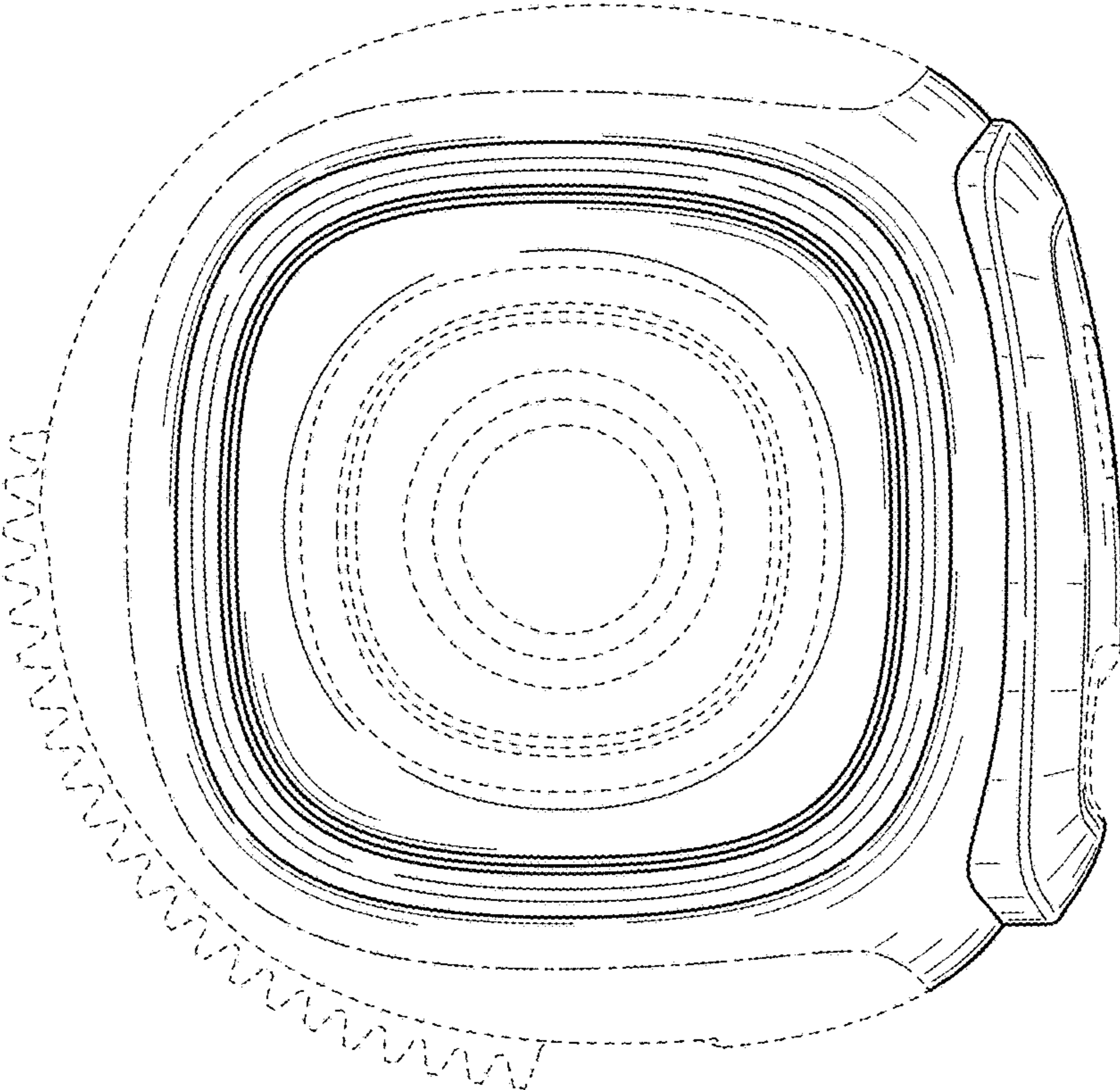


FIG. 12

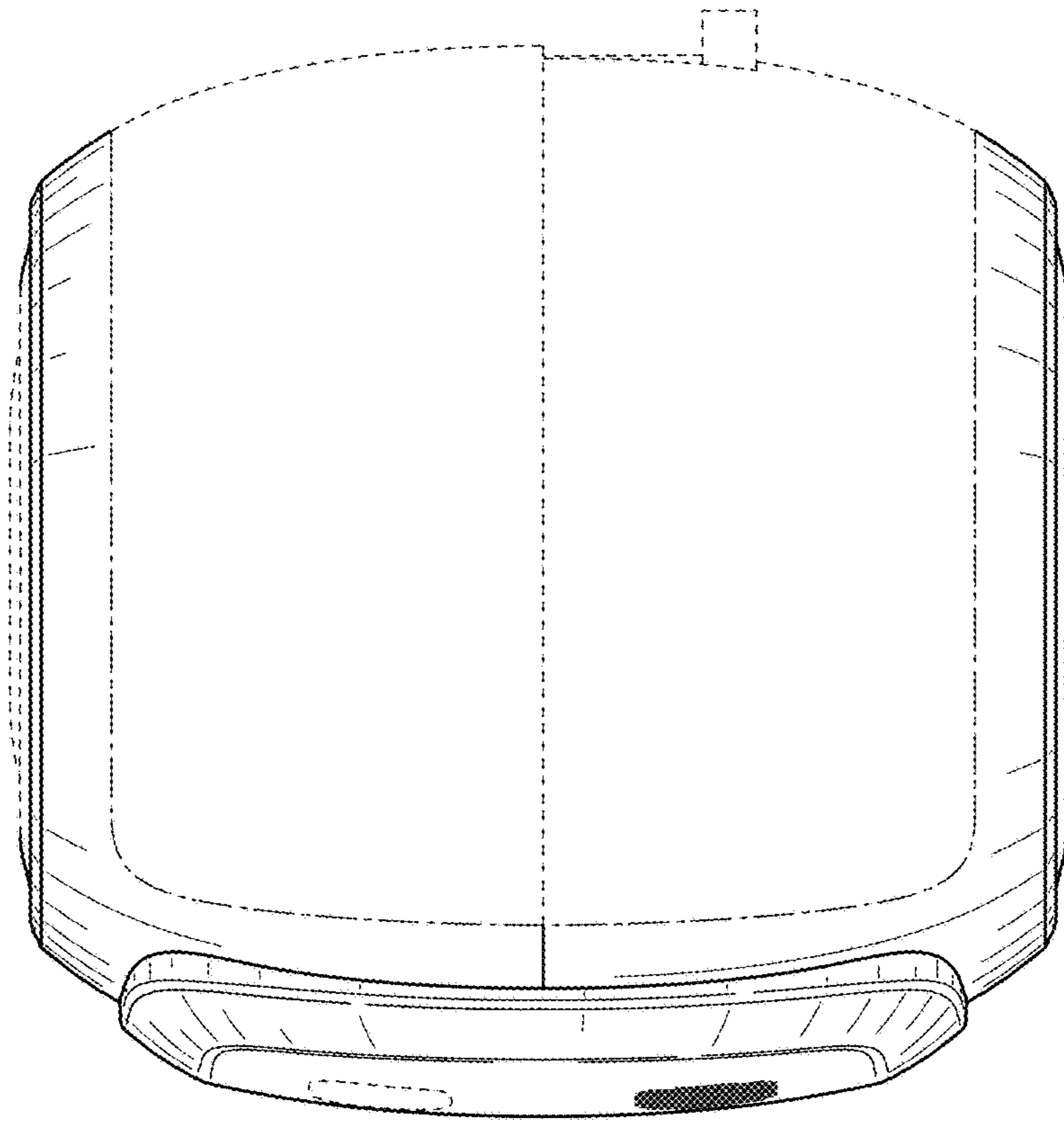


FIG. 13

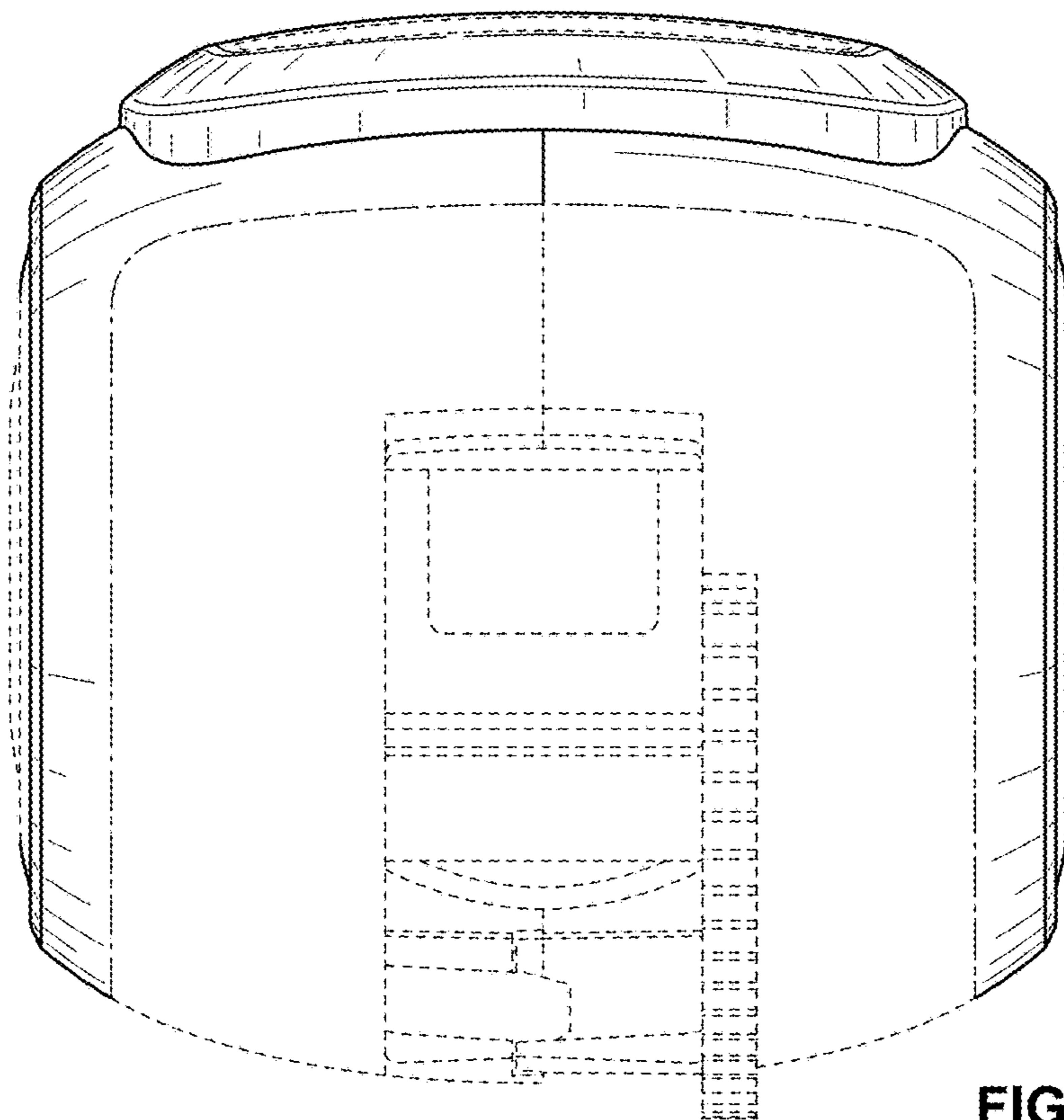


FIG. 14