



US00D811495S

(12) **United States Design Patent** (10) **Patent No.:** **US D811,495 S**
Belker et al. (45) **Date of Patent:** **** Feb. 27, 2018**

(54) **TOY ROBOT HEAD**

Primary Examiner — Sandra L Morris

(71) Applicant: **Anki, Inc.**, San Francisco, CA (US)

(74) *Attorney, Agent, or Firm* — Fish & Richardson P.C.

(72) Inventors: **Harald Belker**, Marina Del Ray, CA (US); **David McVicar**, El Dorado, CA (US); **Hanns Tappeiner**, San Francisco, CA (US)

(57) **CLAIM**

The ornamental design for a toy robot head, as shown and described.

(73) Assignee: **Anki, Inc.**, San Francisco, CA (US)

(**) Term: **15 Years**

DESCRIPTION

(21) Appl. No.: **29/576,974**

The present application is related to U.S. Design patent application Ser. No. 29/576,971, entitled “Toy Robot Body”, filed concurrently herewith, and to U.S. Design patent application Ser. No. 29/576,972, entitled “Toy Robot Body”, filed concurrently herewith, and to U.S. Design patent application Ser. No. 29/576,973, entitled “Toy Robot Head”, filed concurrently herewith, and to U.S. Design patent application Ser. No. 29/576,976, entitled “Toy Robot Eye”, filed concurrently herewith, and to U.S. Design patent application Ser. No. 29/576,978, entitled “Toy Robot Eyes”, filed concurrently herewith, and to U.S. Design patent application Ser. No. 29/576,983, entitled “Toy Robot Arms”, filed concurrently herewith, and to U.S. Design patent application Ser. No. 29/576,986, entitled “Toy Robot Arm”, filed concurrently herewith, and to U.S. Design patent application Ser. No. 29/576,991, entitled “Toy Robot Arm”, filed concurrently herewith, the entire disclosures all of which are incorporated herein by reference.

(22) Filed: **Sep. 8, 2016**

(51) **LOC (11) Cl.** **21-01**

(52) **U.S. Cl.**
USPC **D21/659**

(58) **Field of Classification Search**
USPC D6/598; D11/158, 162; D21/552–561, D21/576–595, 630, 658–661; 446/368–369, 376, 428, 487; 180/8.6; D15/199; D14/126, 494–495
CPC ... A63H 3/00; A63H 3/02; A63H 3/04; A63H 3/16; A63H 3/28; A63H 33/00; A63H 7/06; A63H 11/00; A63H 11/10; A63H 11/20; A63H 13/00
See application file for complete search history.

(56) **References Cited**

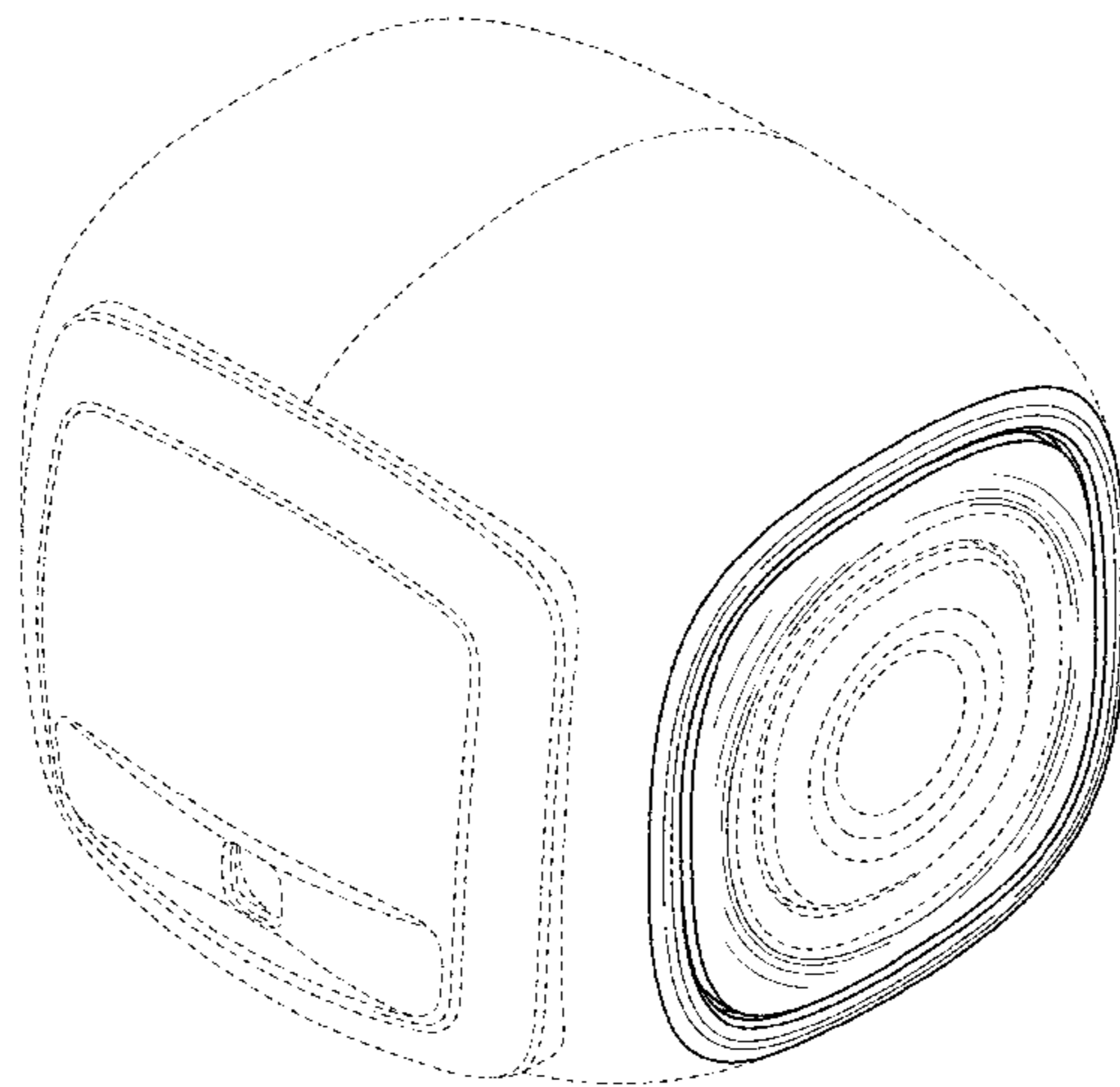
U.S. PATENT DOCUMENTS

D52,659	S	*	11/1918	Humbert	D21/659
D52,823	S	*	12/1918	Humbert	D21/659
3,103,762	A	*	9/1963	Glass	A63H 11/10 124/26
4,282,677	A	*	8/1981	Abe	A63H 11/18 15/143.1
D321,021	S	*	10/1991	Ortega	D11/160
D452,889	S	*	1/2002	Kawakita	D21/659
6,558,225	B1	*	5/2003	Rehkemper	A63H 3/28 446/268

FIG. 1 is a front perspective view of a toy robot head, according to our new design;
FIG. 2 is a front elevational view thereof;
FIG. 3 is a rear elevational view thereof;
FIG. 4 is a right side elevational view thereof;
FIG. 5 is a left side elevational view thereof;
FIG. 6 is a top plan view thereof; and,
FIG. 7 is a bottom plan view thereof.
The broken lines illustrate unclaimed environmental structure and form no part of the claimed design.

(Continued)

1 Claim, 4 Drawing Sheets



(56)

References Cited

U.S. PATENT DOCUMENTS

D500,099 S * 12/2004 Gioffre D21/577
D536,045 S * 1/2007 Judkins D21/578
D585,036 S * 1/2009 Riggs D14/126
7,766,716 B2 * 8/2010 Fong A63H 3/16
446/99
D630,269 S * 1/2011 Matsuda D21/578
D639,353 S * 6/2011 Stibolt D21/578
D644,257 S * 8/2011 Kitano D15/199
D695,345 S * 12/2013 Park D19/59
9,463,392 B2 * 10/2016 Bella-Martorell A63H 3/00

* cited by examiner

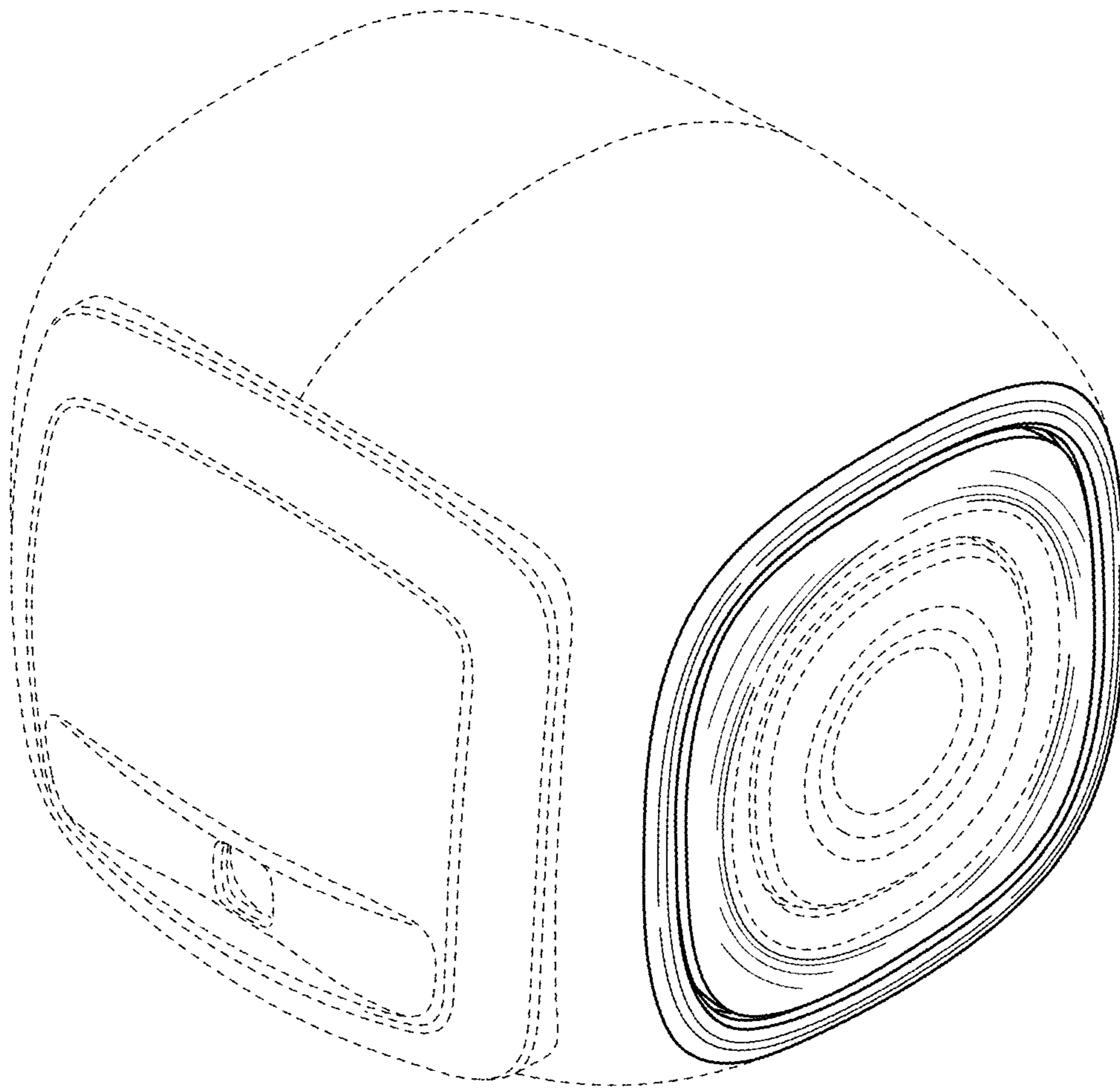


FIG. 1

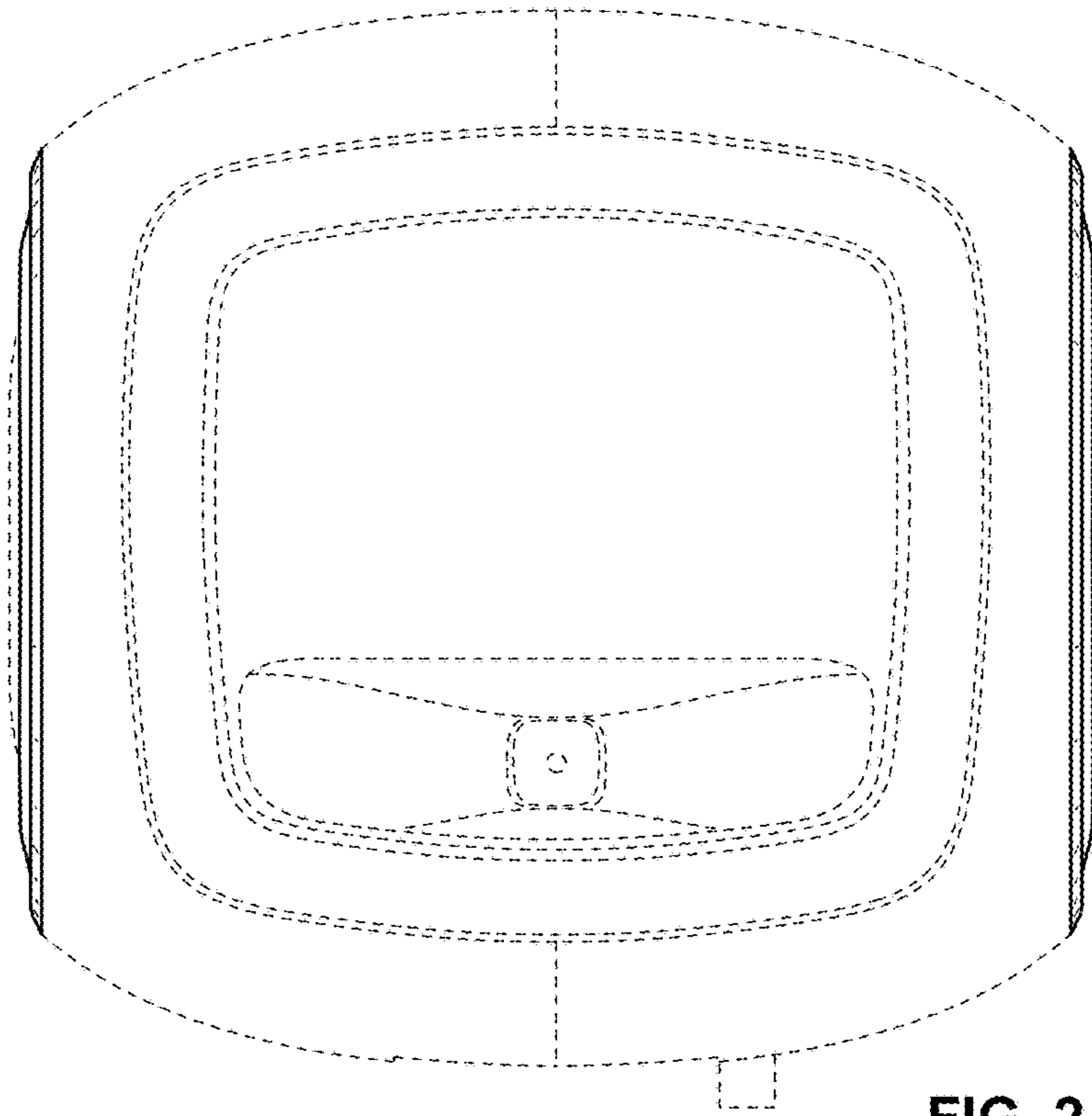


FIG. 2

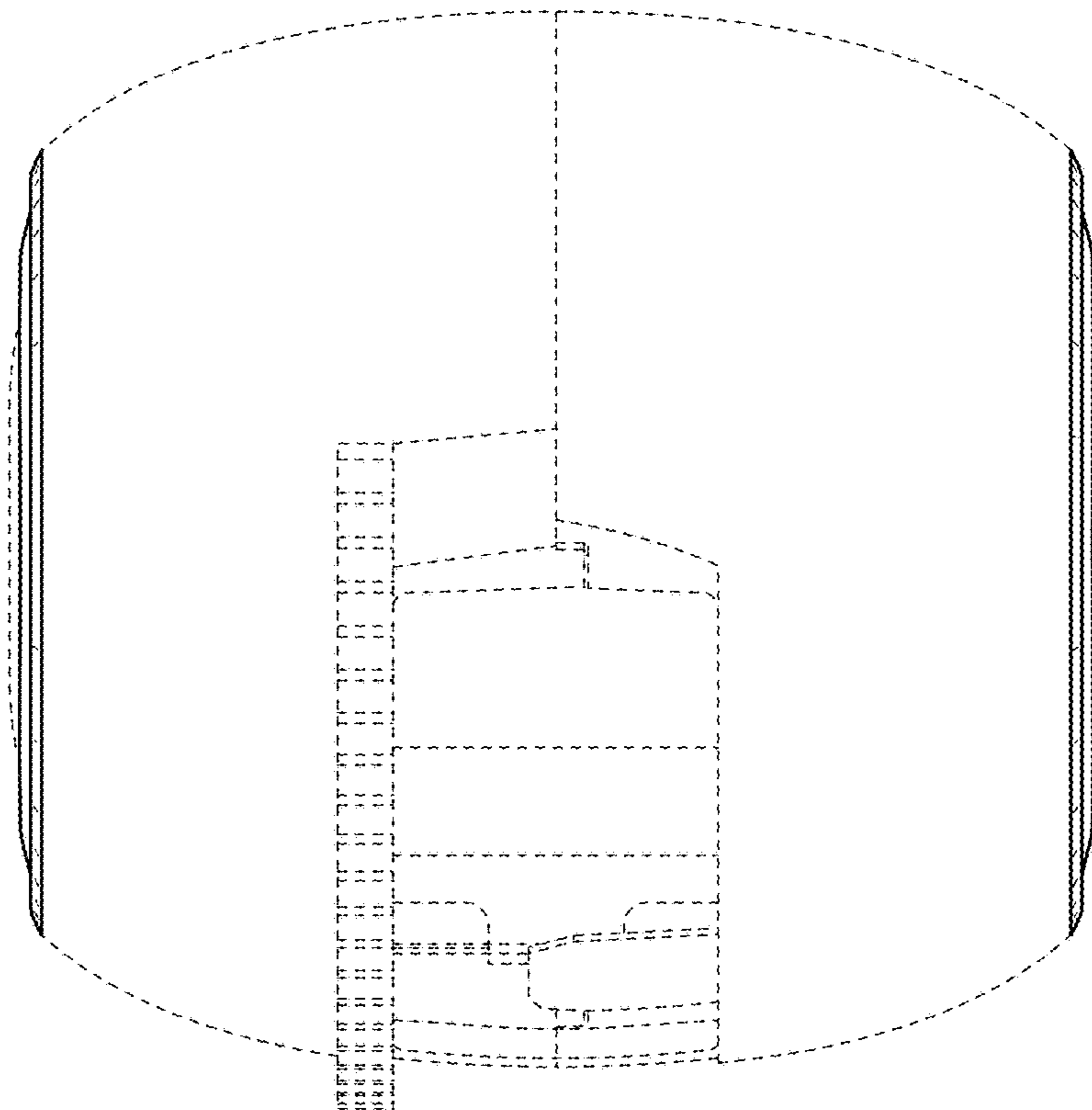


FIG. 3

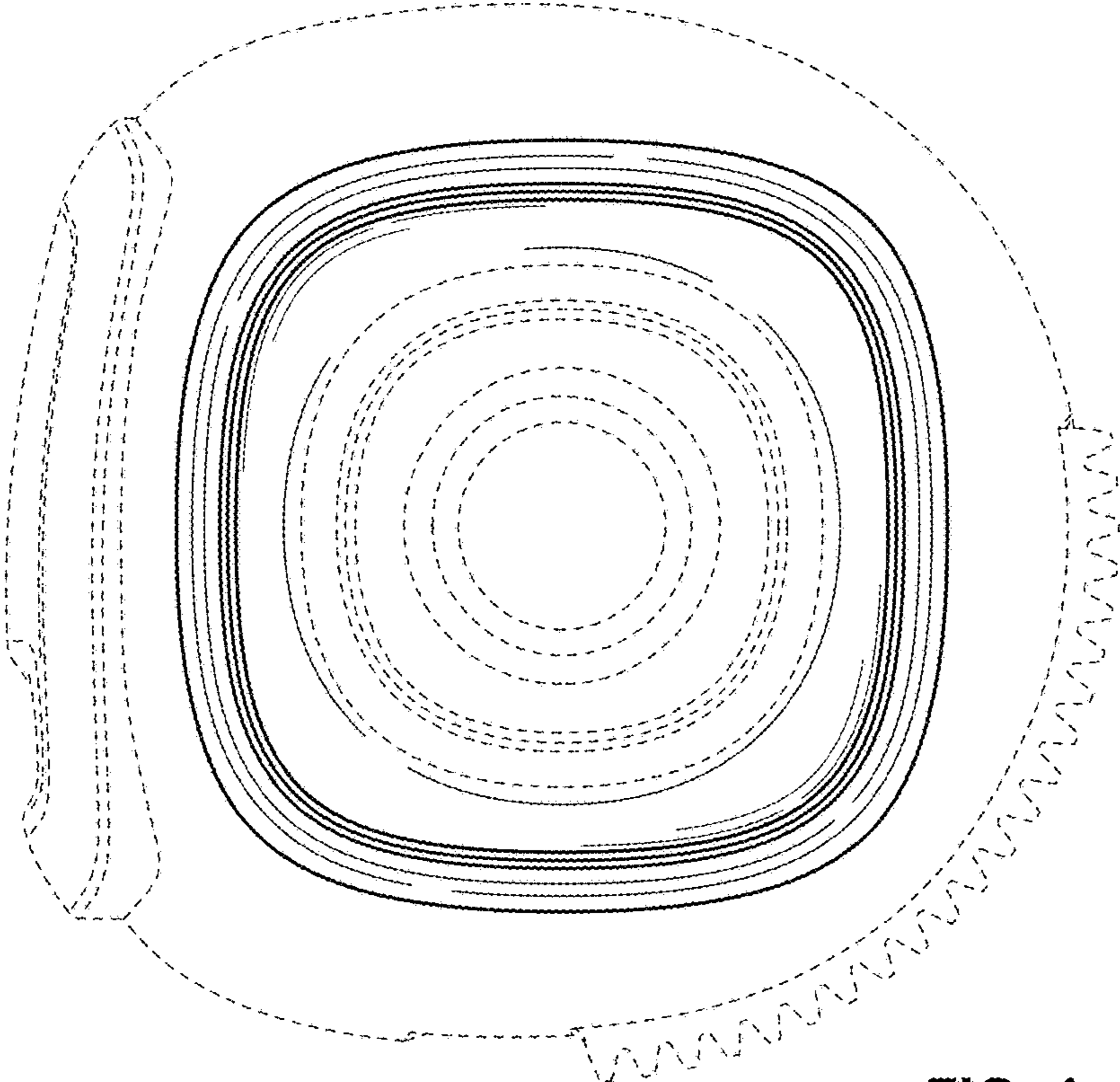


FIG. 4

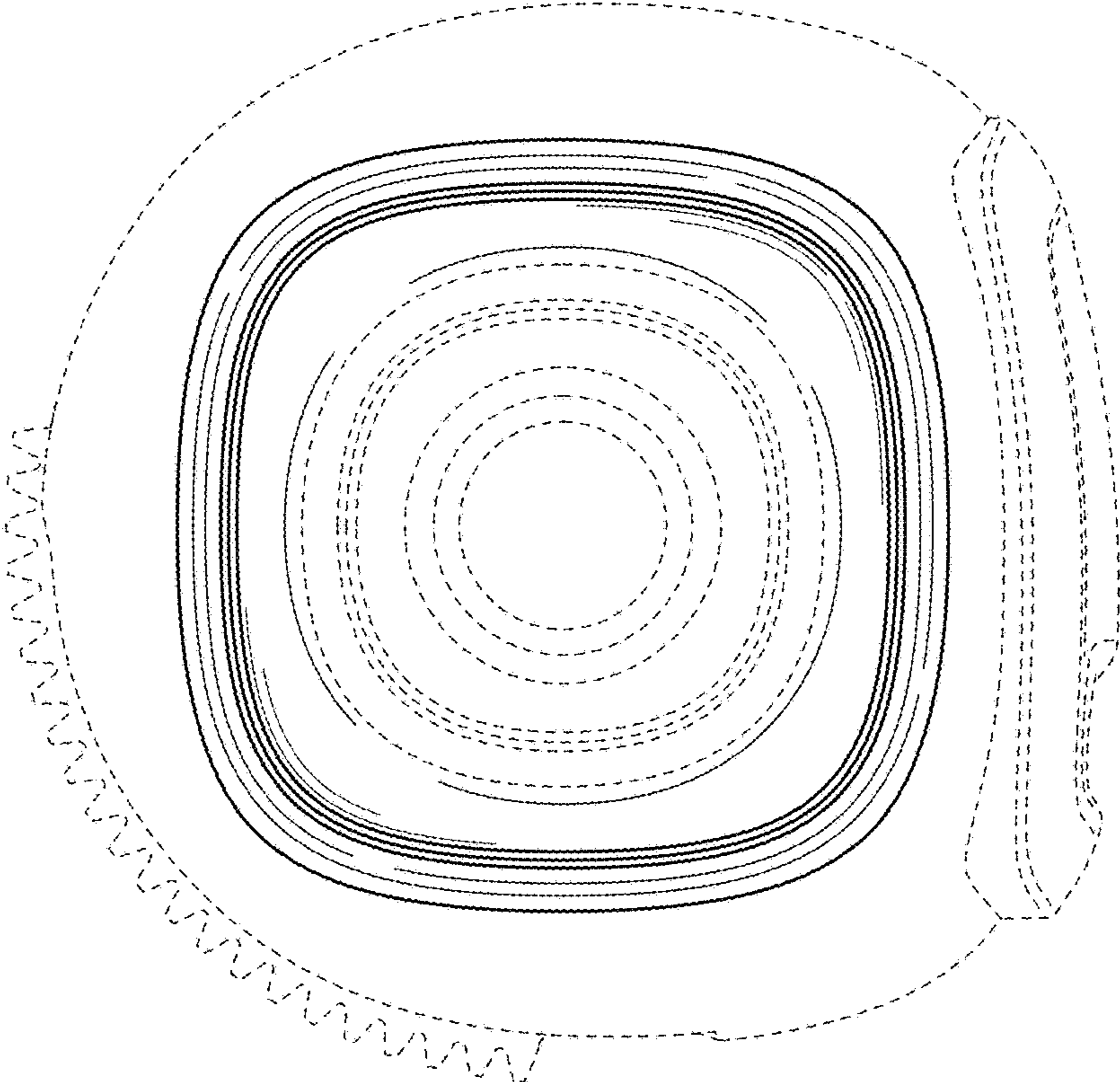


FIG. 5

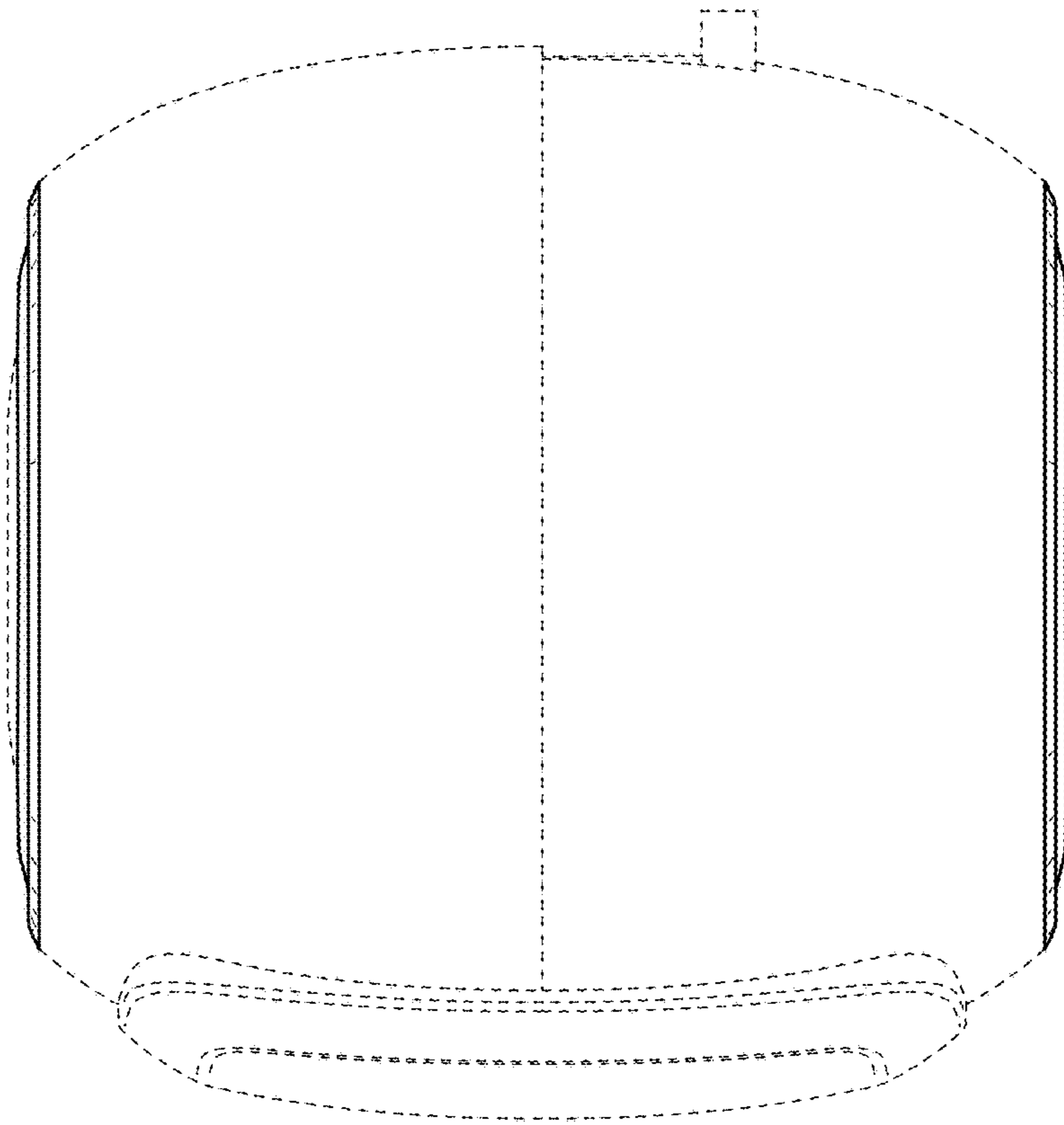


FIG. 6

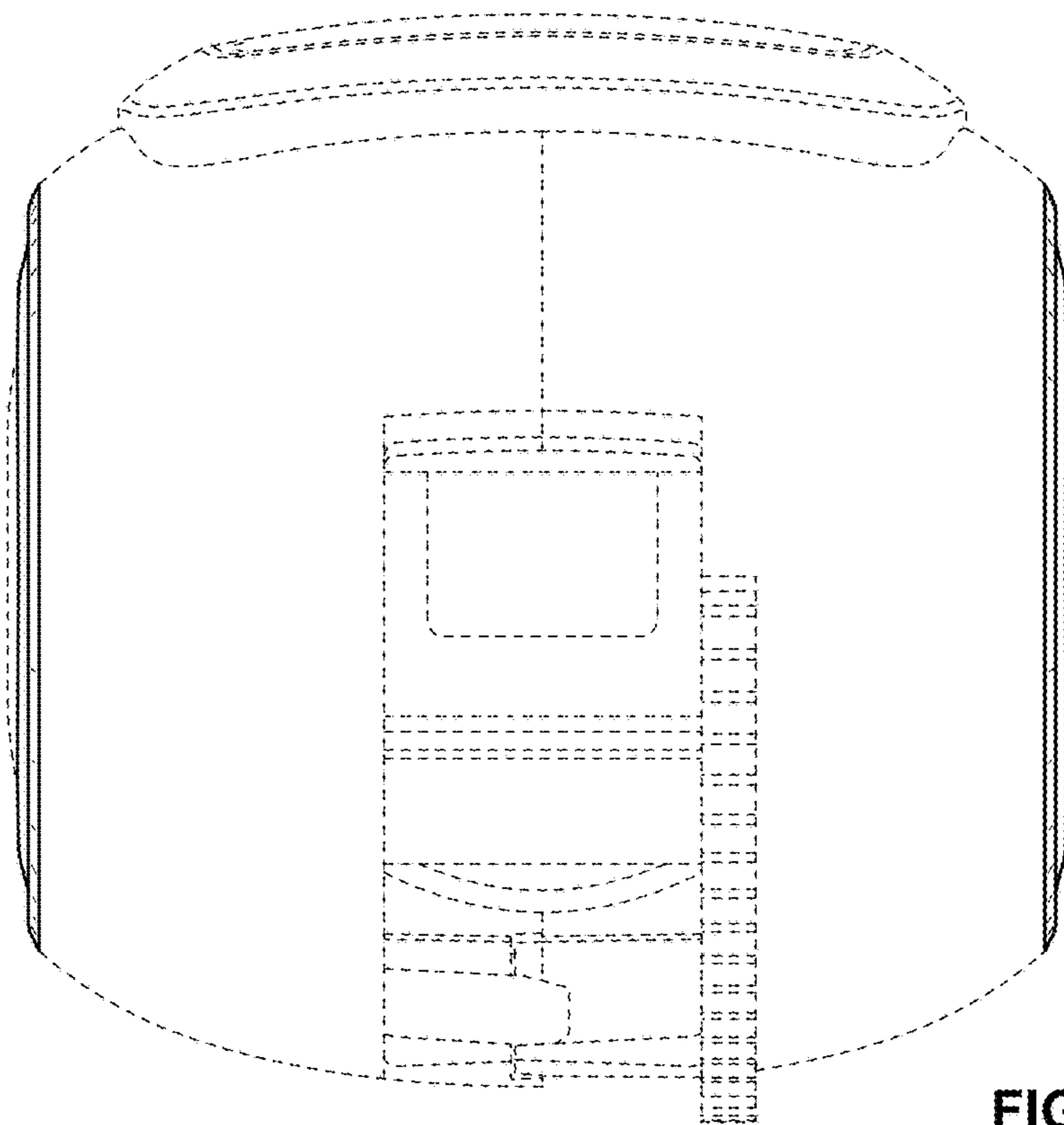


FIG. 7