



US00D811494S

(12) **United States Design Patent**  
**Lee**

(10) **Patent No.:** **US D811,494 S**

(45) **Date of Patent:** **\*\* Feb. 27, 2018**

- (54) **TOY PIG**
- (71) Applicant: **Wen-Hsien Lee**, New Taipei (TW)
- (72) Inventor: **Wen-Hsien Lee**, New Taipei (TW)
- (\*\*) Term: **15 Years**
- (21) Appl. No.: **29/582,236**
- (22) Filed: **Oct. 26, 2016**
- (51) **LOC (11) Cl.** ..... **21-01**
- (52) **U.S. Cl.**  
USPC ..... **D21/654; D21/585**
- (58) **Field of Classification Search**  
USPC ..... D6/598; D11/158, 162; D21/576–595,  
D21/654; 446/368–369, 376, 428, 487;  
180/8.6; D15/199  
CPC ... A63H 3/00; A63H 3/02; A63H 3/04; A63H  
3/16; A63H 3/28; A63H 33/00; A63H  
7/06; A63H 11/00; A63H 11/10; A63H  
11/20; A63H 13/00  
See application file for complete search history.

- 6,481,513 B2 \* 11/2002 Buehler ..... B62D 63/02  
180/8.6
- 6,648,720 B1 \* 11/2003 Domingues ..... A63H 11/205  
446/352
- 6,652,352 B1 \* 11/2003 MacArthur ..... A63H 11/205  
180/8.6
- 6,964,309 B2 \* 11/2005 Quinn ..... B62D 57/022  
180/8.6
- 7,249,640 B2 \* 7/2007 Horchler ..... B62D 57/022  
180/8.6
- D583,882 S \* 12/2008 Domingues ..... D21/578
- D629,175 S \* 12/2010 McMaster ..... D21/654
- 8,834,226 B2 \* 9/2014 Norman ..... A63H 11/02  
446/351

\* cited by examiner

*Primary Examiner* — Sandra L Morris  
(74) *Attorney, Agent, or Firm* — Nikolai & Mersereau,  
P.A.; C. G. Mersereau

(57) **CLAIM**

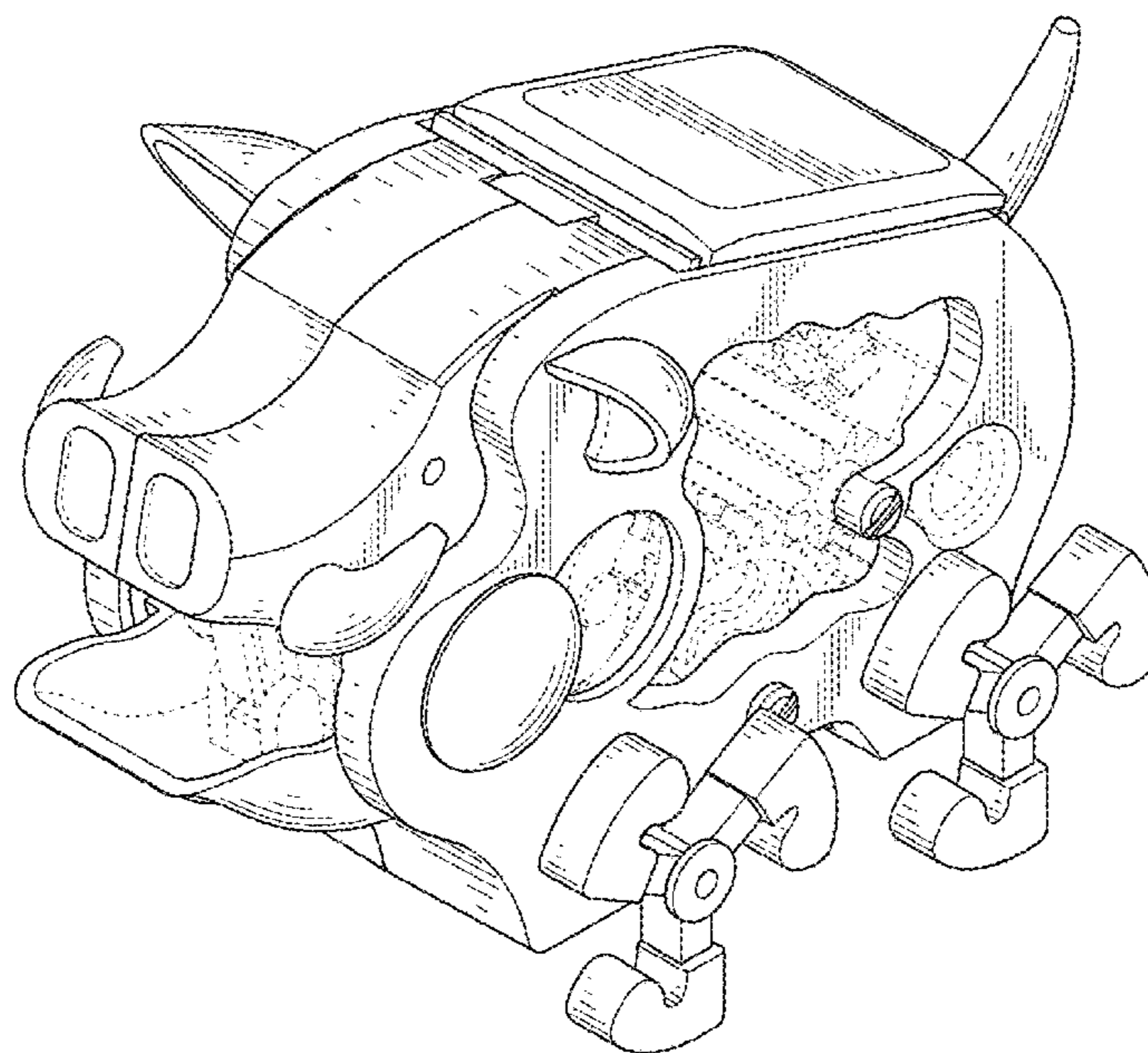
The ornamental design for a toy pig, as shown and described.

**DESCRIPTION**

FIG. 1 is a perspective view of a toy pig showing my new design;  
FIG. 2 is another perspective view thereof;  
FIG. 3 is a front view thereof;  
FIG. 4 is a rear view thereof;  
FIG. 5 is a left side view thereof;  
FIG. 6 is a right side view thereof;  
FIG. 7 is a top view thereof; and,  
FIG. 8 is a bottom view thereof.  
The broken lines depict environmental subject matter, are for illustration only and form no part of the claimed design.

- (56) **References Cited**  
U.S. PATENT DOCUMENTS  
D171,386 S \* 2/1954 Campbell ..... D21/585  
D298,560 S \* 11/1988 Kitamura ..... D21/576  
6,238,264 B1 \* 5/2001 Kazami ..... A63H 11/205  
446/368  
6,362,589 B1 \* 3/2002 Inoue ..... G05D 1/0088  
318/568.1  
D456,468 S \* 4/2002 Roker ..... D21/654  
6,364,040 B1 \* 4/2002 Klann ..... A63H 11/00  
180/8.6  
D458,320 S \* 6/2002 Domingues ..... D21/578

**1 Claim, 8 Drawing Sheets**



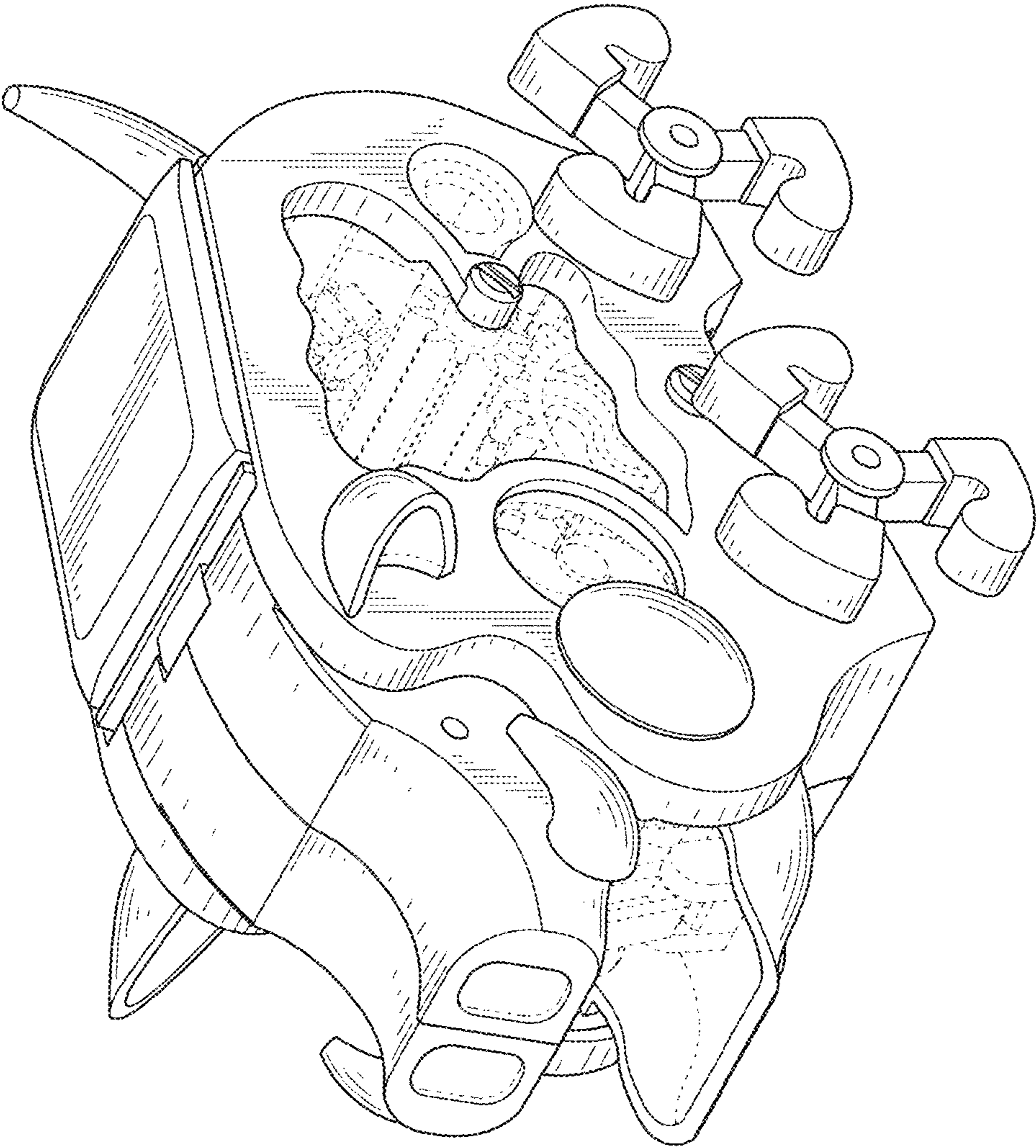


FIG.1



FIG.2



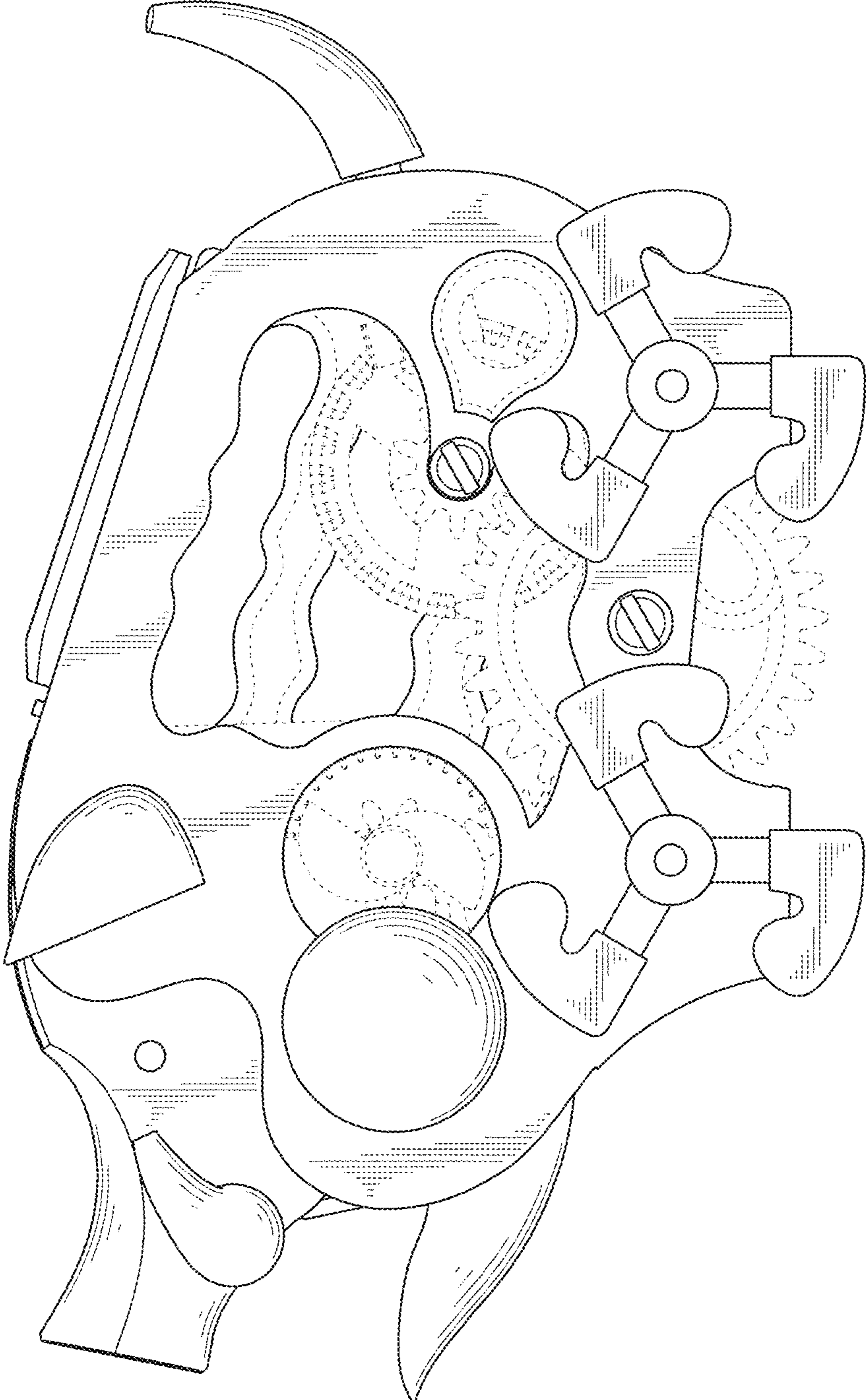


FIG.3

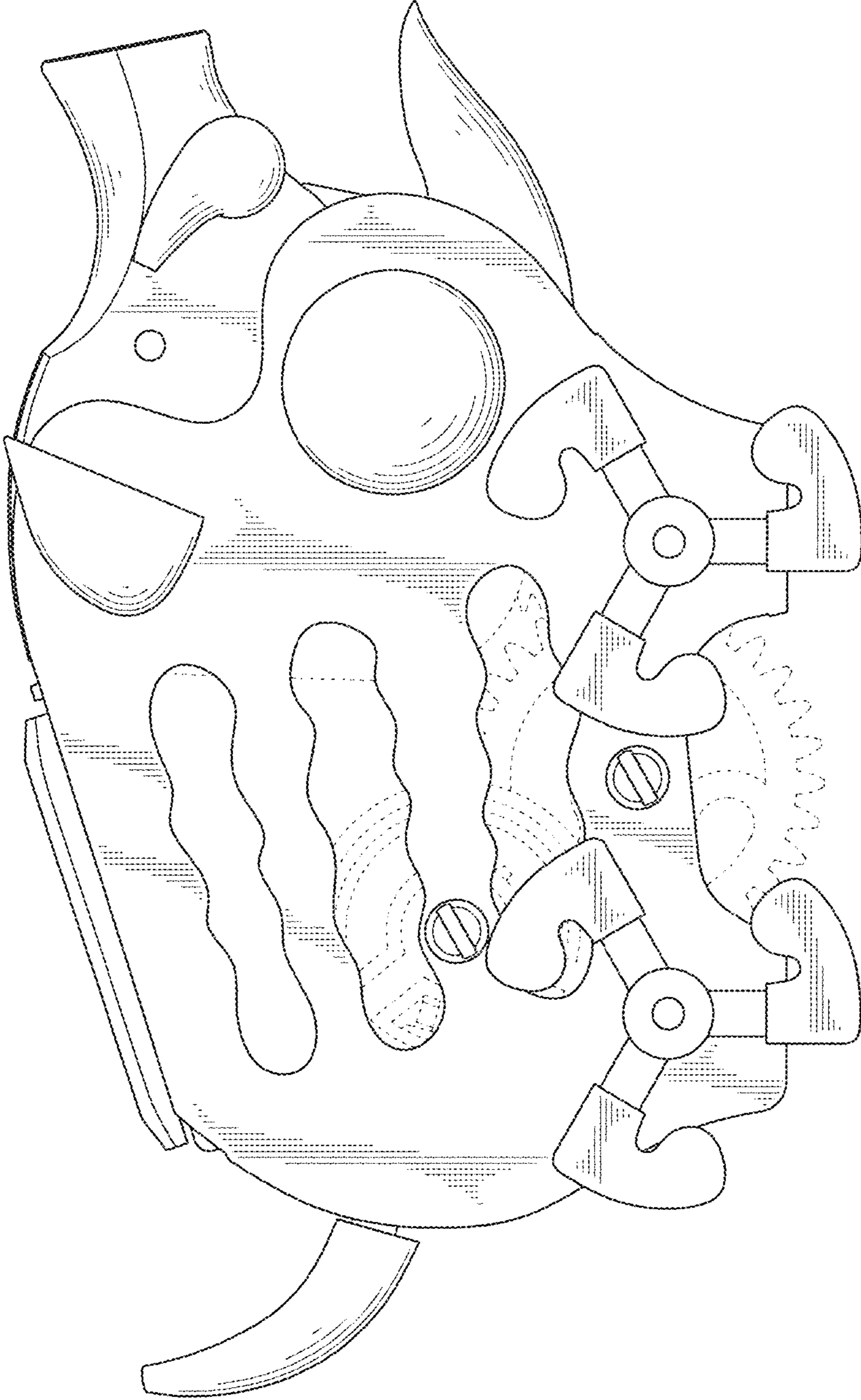


FIG.4

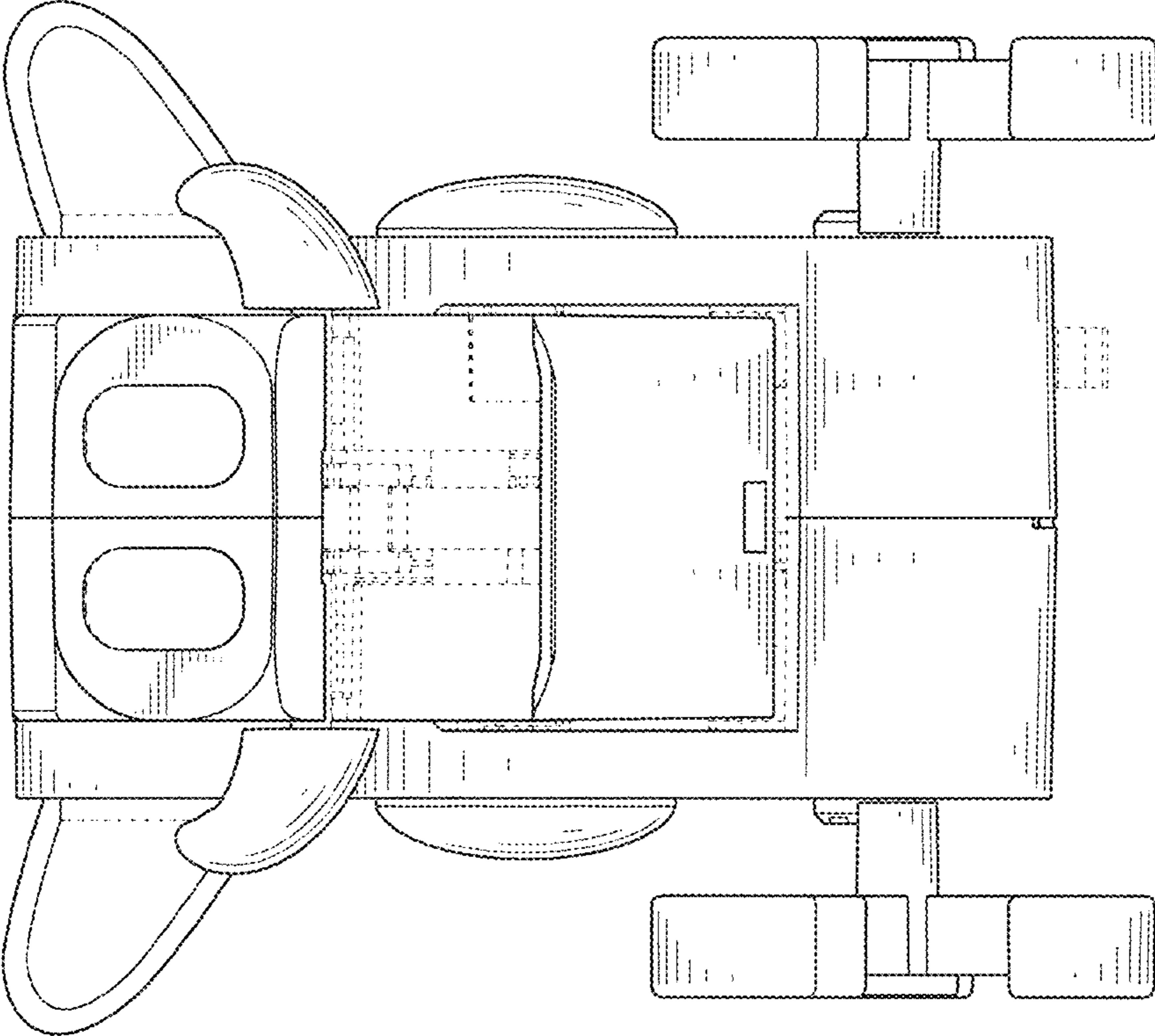


FIG.5

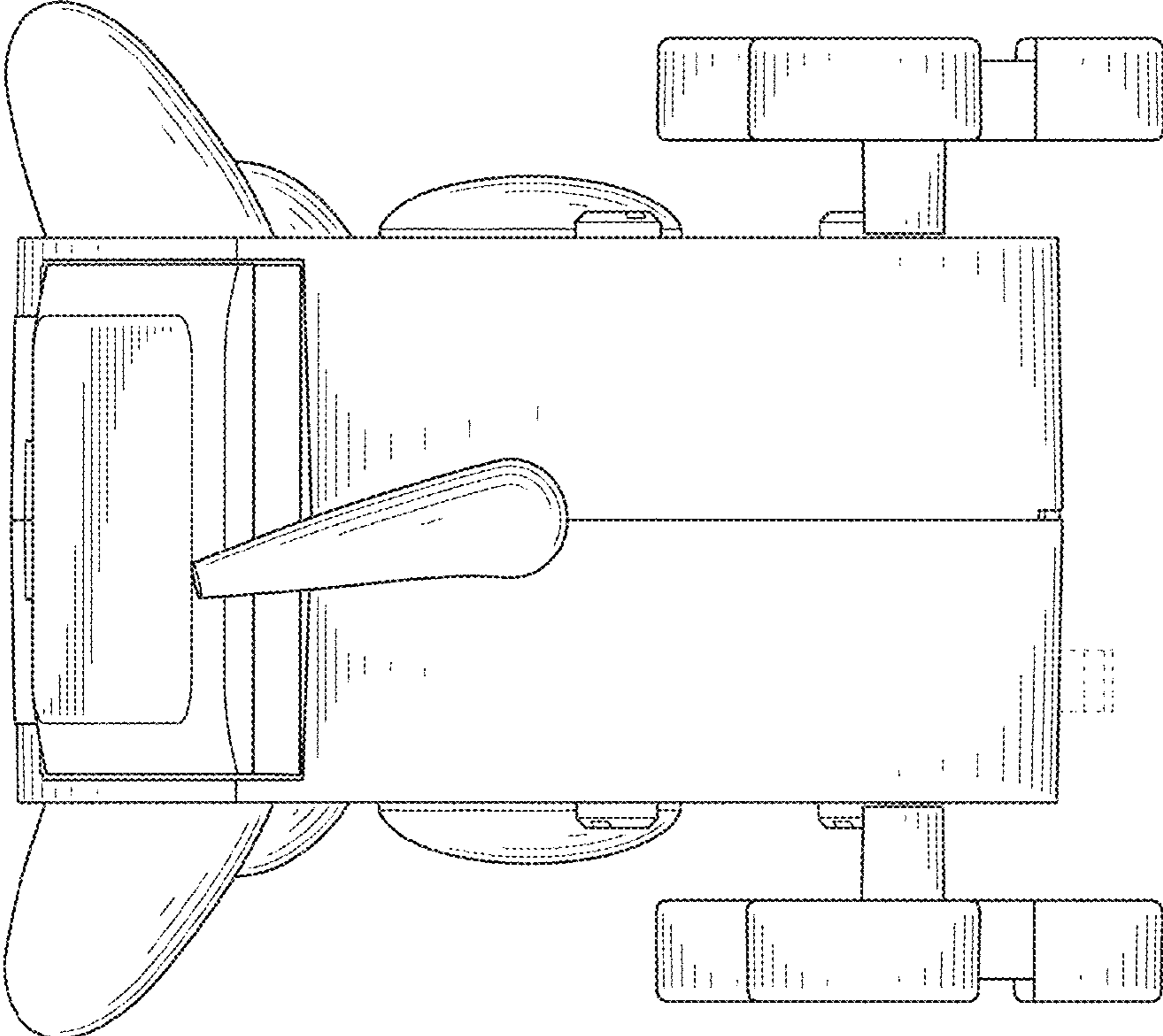


FIG.6



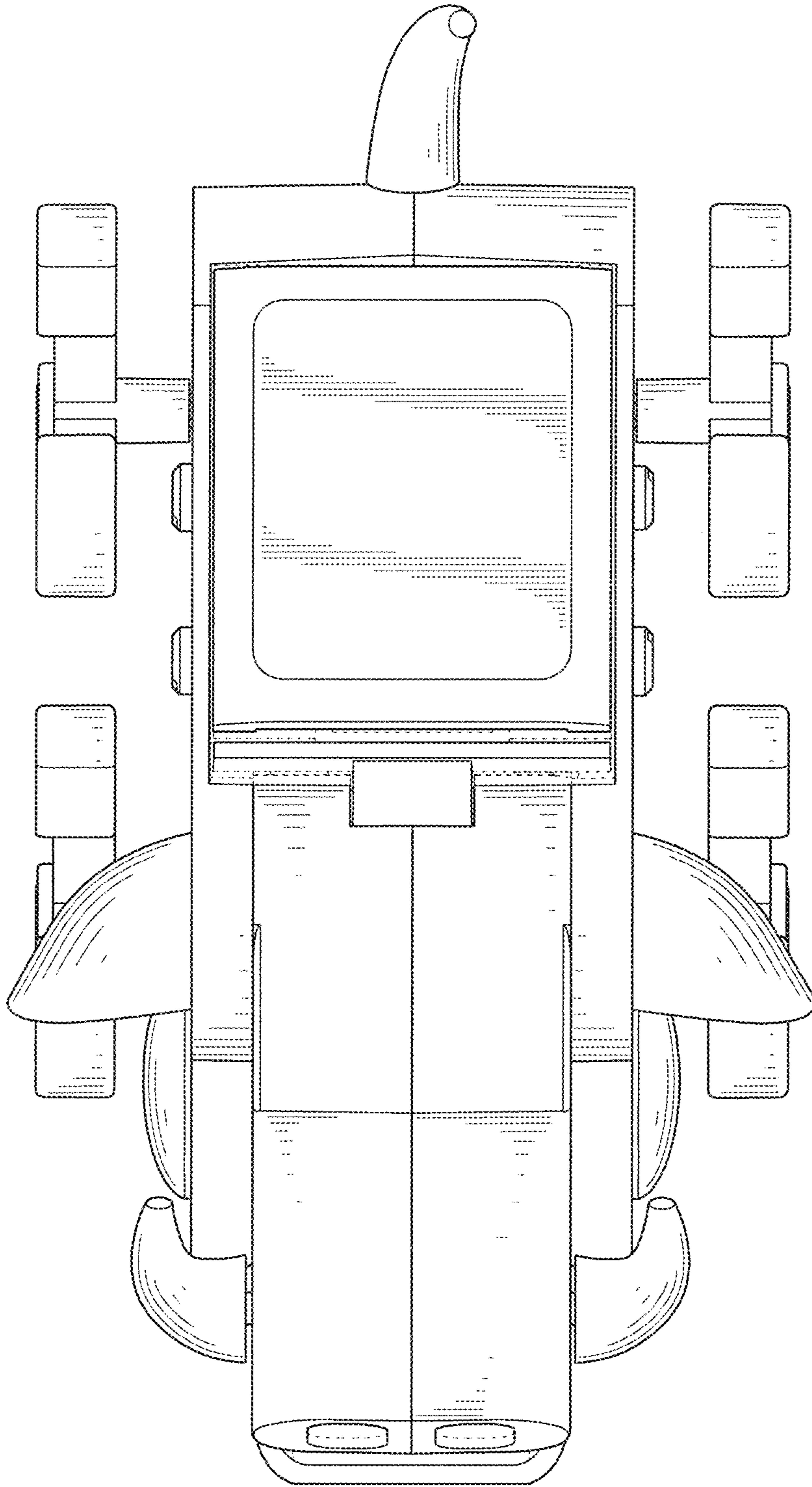


FIG.7



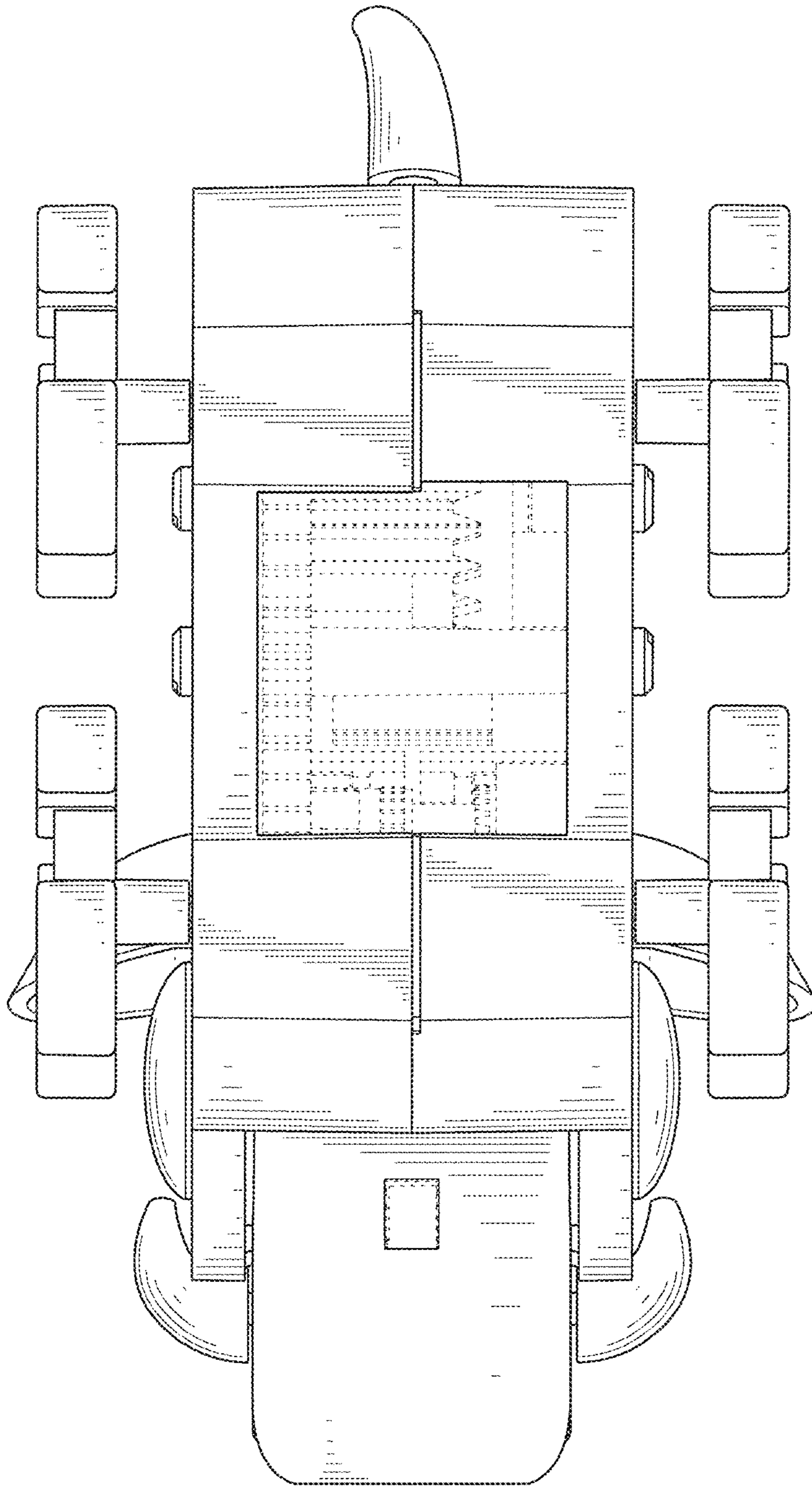


FIG.8