



US00D811492S

(12) **United States Design Patent** (10) **Patent No.:** **US D811,492 S**
Rehkemper et al. (45) **Date of Patent:** **** Feb. 27, 2018**

(54) **ROBOT TOY FIGURE** D715,381 S * 10/2014 Ito A63H 3/00
D21/578
(71) Applicant: **Rehco, LLC**, Chicago, IL (US) D715,382 S * 10/2014 Ito A63H 3/00
D21/578
(72) Inventors: **Steve Rehkemper**, Chicago, IL (US); 2015/0231782 A1* 8/2015 Kawamoto B25J 9/16
Adam Gelder, Oak Lawn, IL (US) 701/23

(73) Assignee: **Rehco, LLC**, Chicago, IL (US)

(**) Term: **15 Years**

(21) Appl. No.: **29/552,921**

(22) Filed: **Jan. 27, 2016**

(51) **LOC (11) Cl.** **21-01**

(52) **U.S. Cl.**
USPC **D21/578**; D15/199

(58) **Field of Classification Search**
USPC D21/578–583, 621, 622; 446/268–274,
446/279, 280, 285, 289–292, 294,
446/297–303, 353–355, 376–384;
D15/199; 318/568.11, 568.12, 568.2
CPC B25J 9/00; B25J 9/0003; B25J 9/0006;
A63H 3/003; A63H 3/46
See application file for complete search history.

(56) **References Cited**

U.S. PATENT DOCUMENTS

4,051,623 A * 10/1977 Ogawa A63H 11/00
446/290
4,307,891 A * 12/1981 Doornick B25J 9/0003
280/1.22
4,626,164 A * 12/1986 Chang A63H 13/04
414/735
D709,141 S * 7/2014 Parker D15/199
D712,983 S * 9/2014 Gan D15/199
D715,379 S * 10/2014 Kitamura A63H 3/00
D21/578
D715,380 S * 10/2014 Ito A63H 3/00
D21/578

* cited by examiner

Primary Examiner — Zenia Bennett

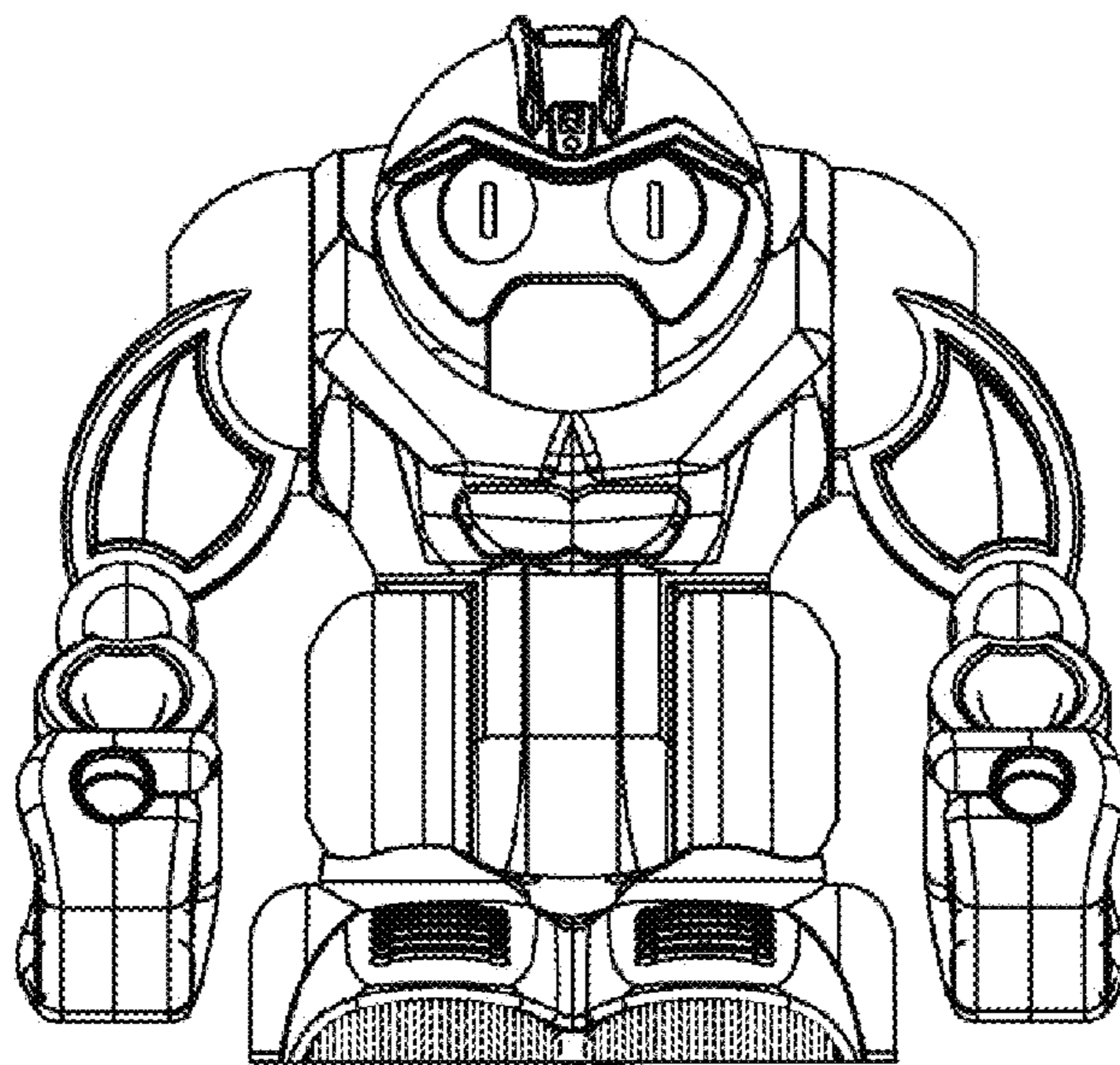
(57) **CLAIM**

The ornamental design for a robot toy figure, as shown and described.

DESCRIPTION

FIG. 1 is a front perspective view of a robot toy figure according to an embodiment;
FIG. 2 is a rear perspective view of the robot toy figure of FIG. 1;
FIG. 3 is a first side view of the robot toy figure of FIG. 1;
FIG. 4 is a second side view of the robot toy figure of FIG. 1;
FIG. 5 is a front view of the robot toy figure of FIG. 1;
FIG. 6 is a rear view of the robot toy figure of FIG. 1;
FIG. 7 is a top view of the robot toy figure of FIG. 1; and,
FIG. 8 is a bottom view of the robot toy figure of FIG. 1.
In FIGS. 1 through 8, the parting lines form no part of the claimed design. In FIGS. 1 through 8, the fasteners form no part of the claimed design. In FIG. 8, the power source access panel forms no part of the claimed design. In FIGS. 1, 2, 5, 6, and 8, the pattern on the feet forms no part of the claimed design. The broken lines depicting the bottom of the robot are for environmental purposes only and form no part of the claimed design.

1 Claim, 8 Drawing Sheets



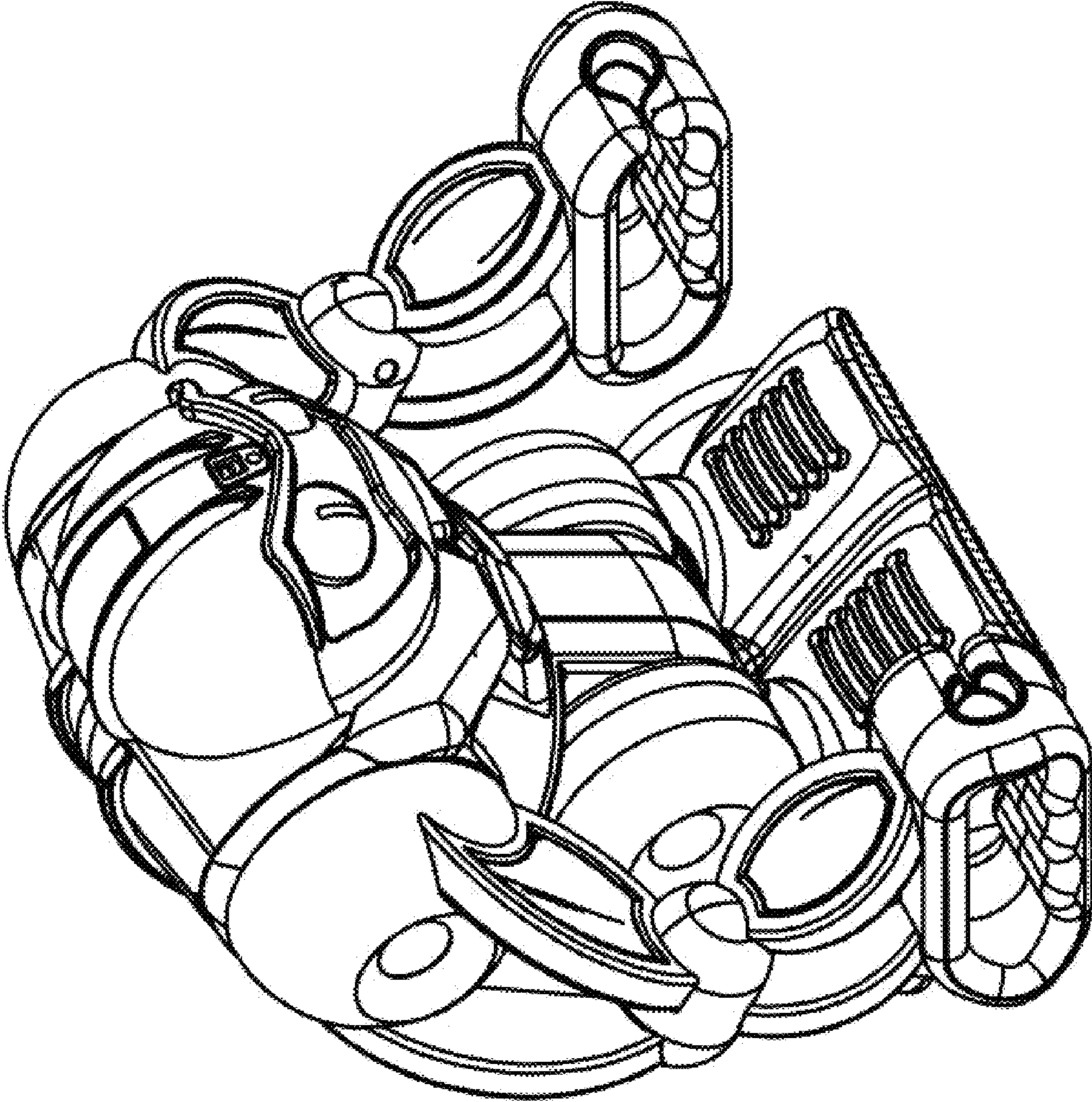


Fig. 1

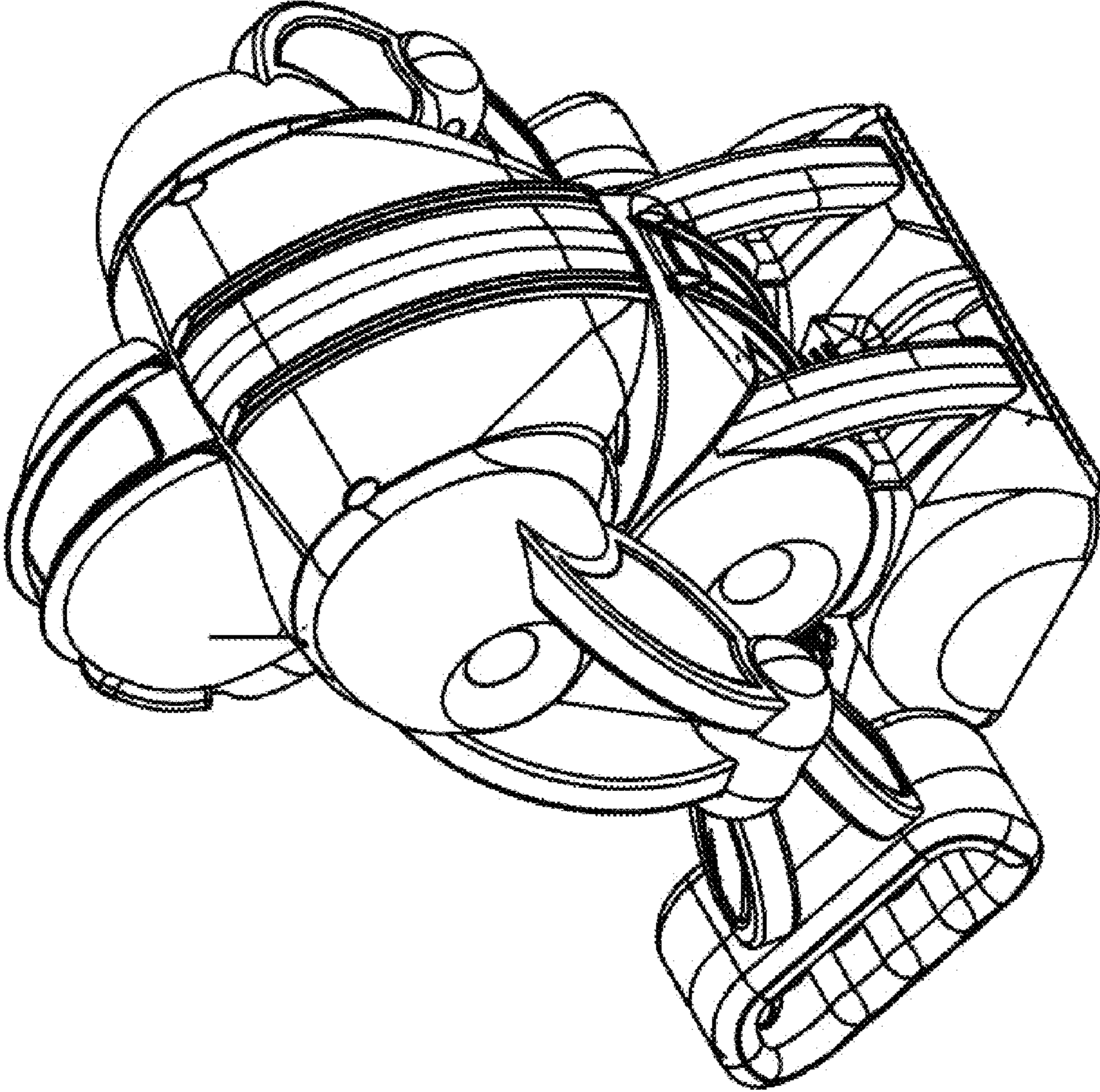


Fig. 2

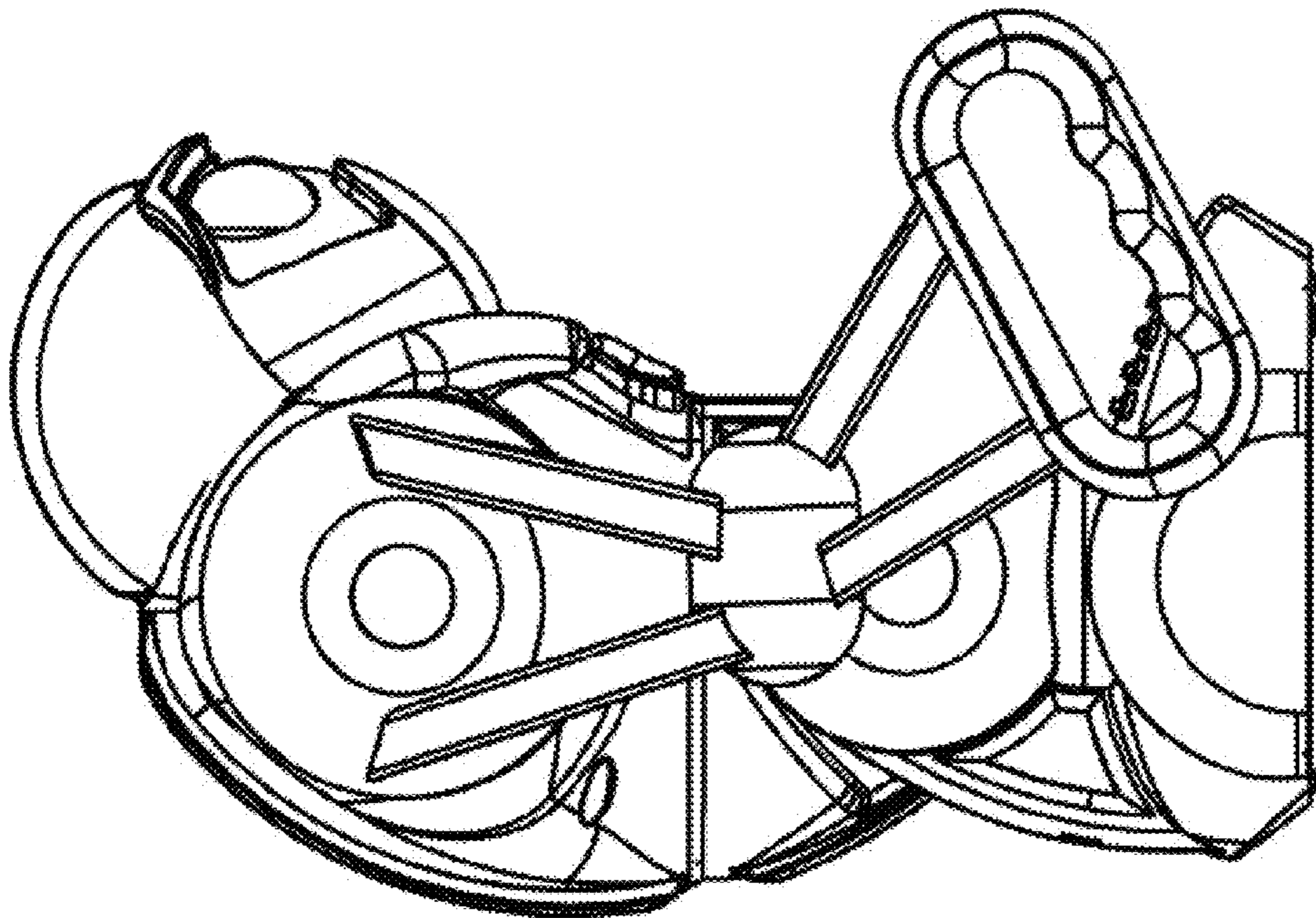


Fig. 3

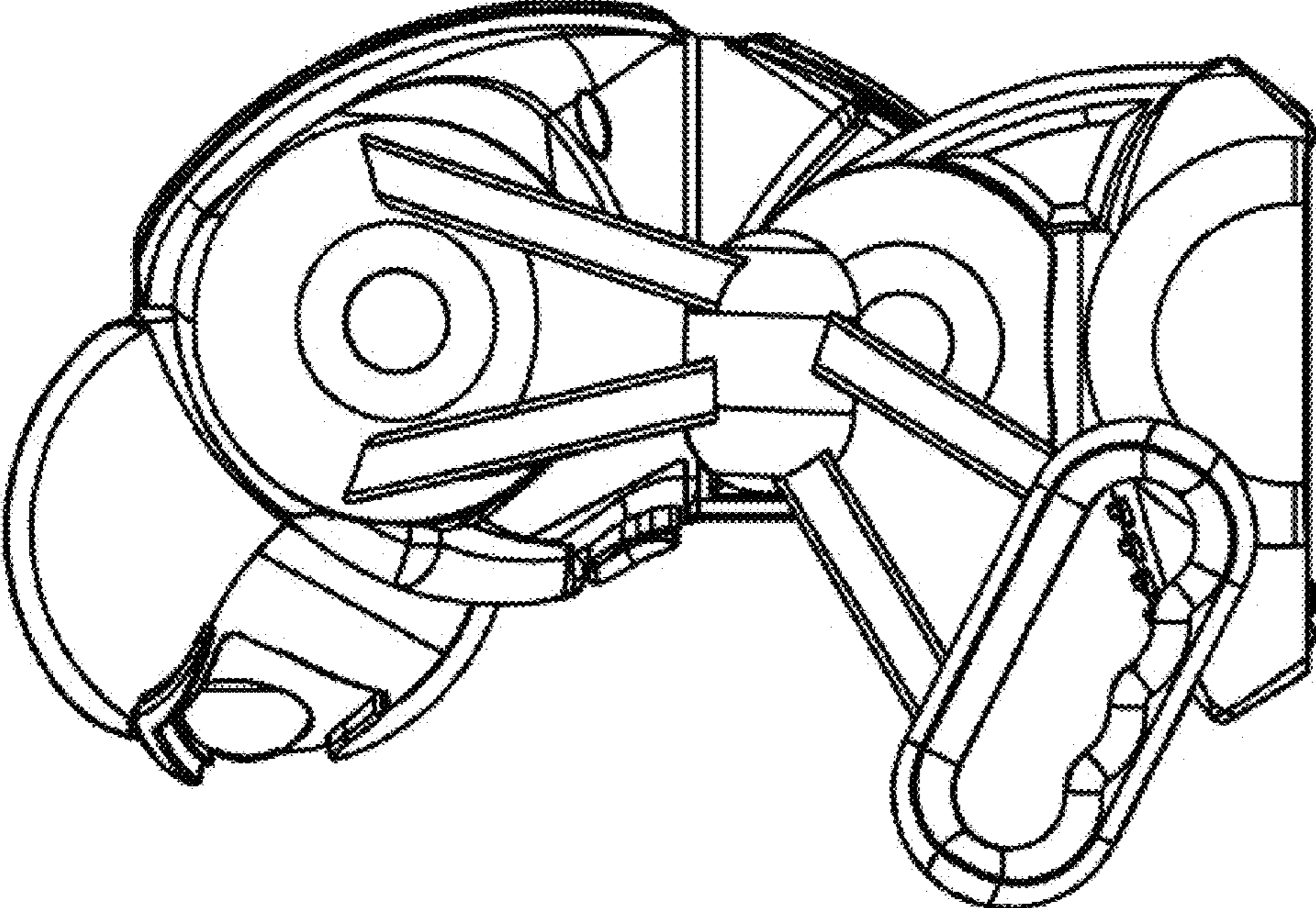


Fig. 4

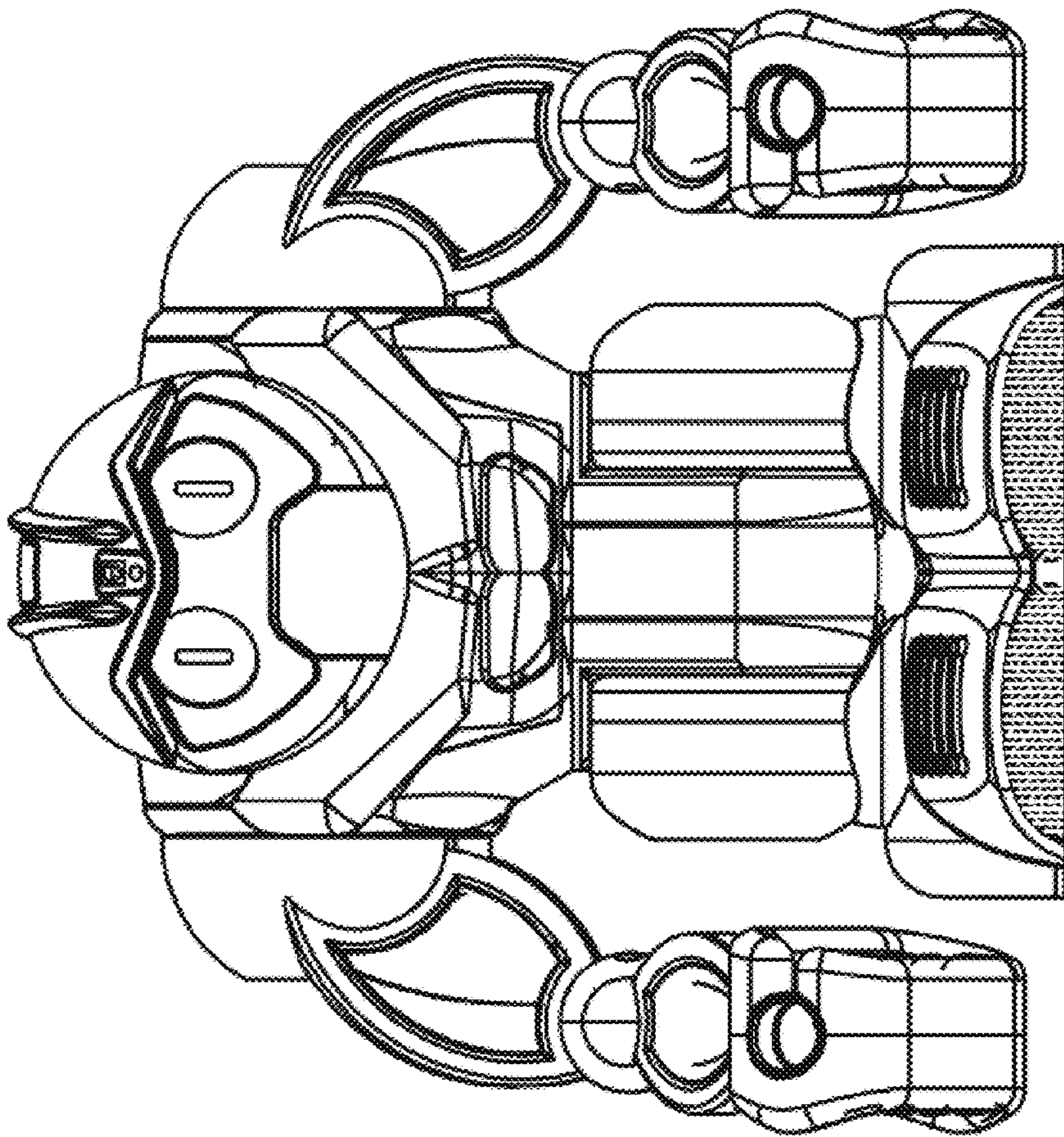


Fig. 5

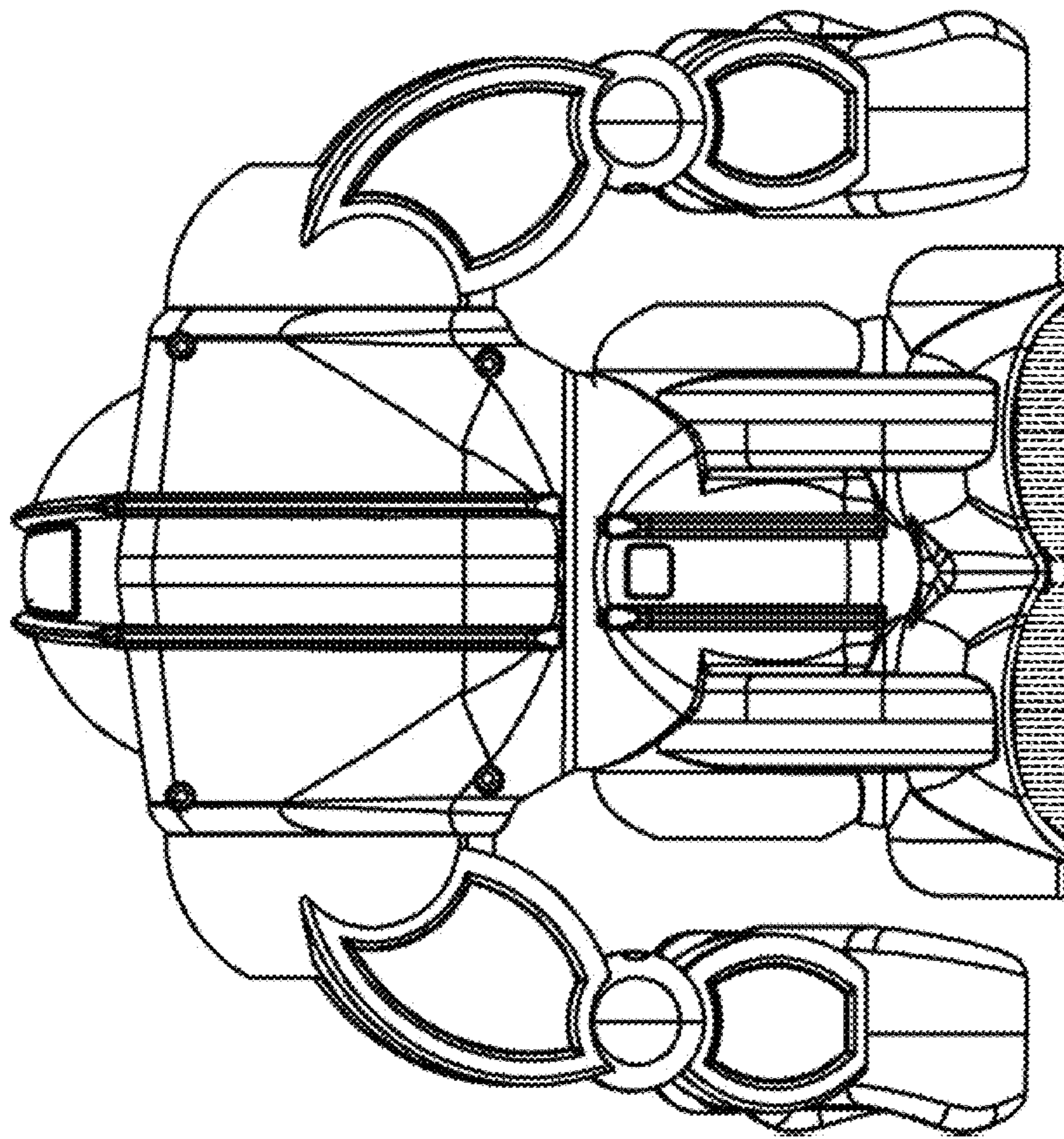


Fig. 6

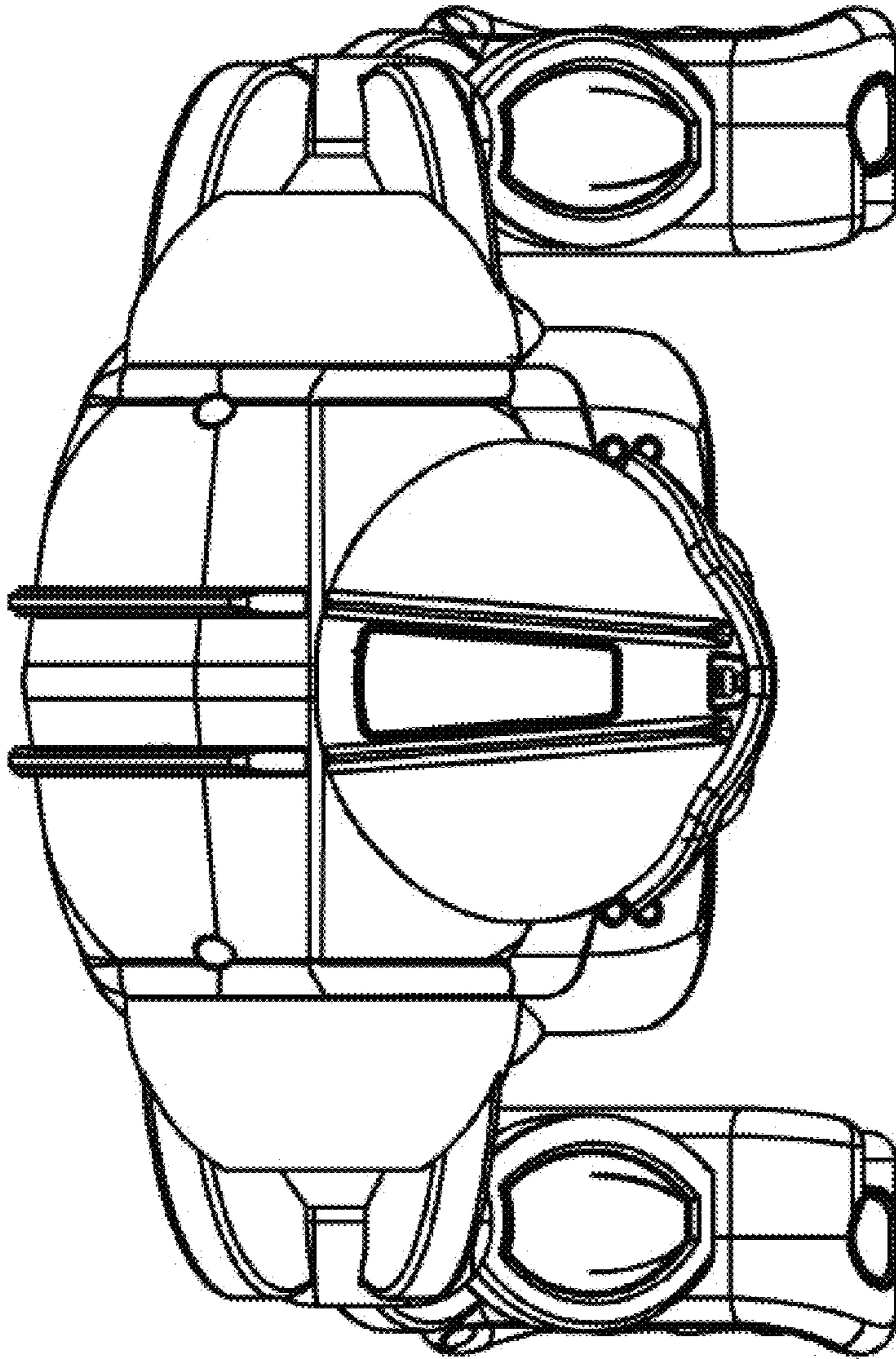


Fig. 7

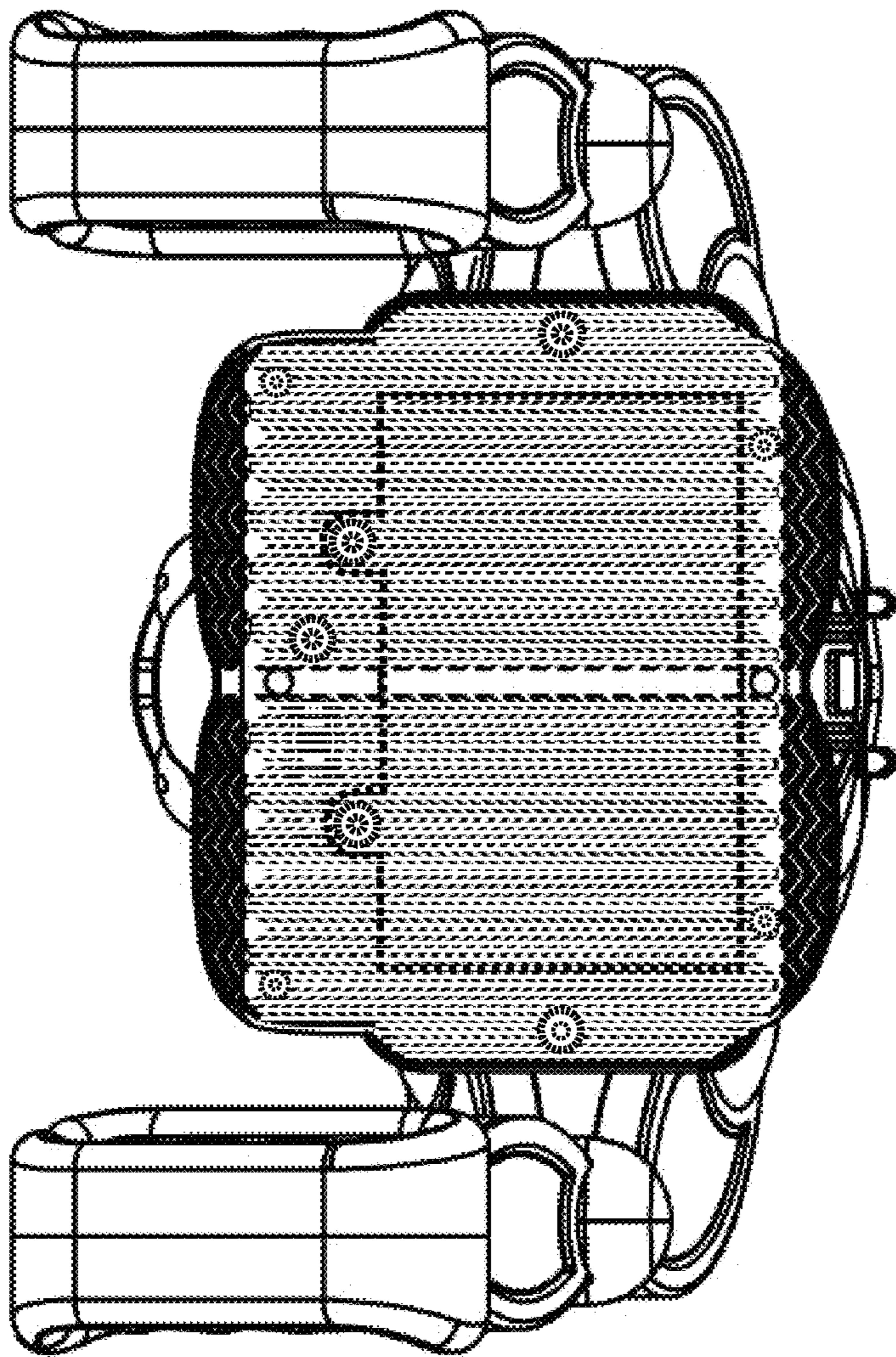


Fig. 8