



US00D811491S

(12) **United States Design Patent** (10) **Patent No.:** **US D811,491 S**
Lee (45) **Date of Patent:** **** Feb. 27, 2018**

(54) **TOY ROBOTIC ARM**
(71) Applicant: **Wen-Hsien Lee**, New Taipei (TW)
(72) Inventor: **Wen-Hsien Lee**, New Taipei (TW)
(**) Term: **15 Years**

2015/0190934 A1* 7/2015 Chiu B25J 18/025
74/490.01
2015/0306770 A1* 10/2015 Mittal B25J 5/007
700/255
2016/0122162 A1* 5/2016 Huissoon B66C 13/14
74/479.01

(Continued)

(21) Appl. No.: **29/548,510**
(22) Filed: **Dec. 14, 2015**
(51) **LOC (11) Cl.** **21-01**
(52) **U.S. Cl.**
USPC **D21/528**
(58) **Field of Classification Search**
USPC D21/528, 578-579; D15/199
CPC B25J 9/16; B25J 9/1694; B66C 23/68
See application file for complete search history.

OTHER PUBLICATIONS

Amazon.com: OWI Hydraulic Arm Edge Kit, oldest review Jul. 15, 2016, https://www.amazon.com/OWI-Hydraulic-Arm-Edge-Kit/dp/B01CTJOIPI/ref=sr_1_4?s=toys-and-games&ie=UTF8&qid=1484426493&sr=1-4&keywords=robotic+arm, [site visited Jan. 14, 2017 3:51:47 PM].*

(Continued)

Primary Examiner — John Windmuller
Assistant Examiner — John R Yeh
(74) *Attorney, Agent, or Firm* — WPAT, P.C., Intellectual Property Attorneys; Anthony King

(56) **References Cited**

U.S. PATENT DOCUMENTS

D159,948 S * 9/1950 Betts 446/426
3,535,952 A * 10/1970 Devol B25J 9/04
164/404
D238,507 S * 1/1976 Heen D15/199
D244,709 S * 6/1977 Sano D21/528
4,606,695 A * 8/1986 Lenz B25J 9/046
414/735
4,693,663 A * 9/1987 Brenholt B25J 9/047
414/735
D449,057 S * 10/2001 Selic D15/199
D451,524 S * 12/2001 Morris D15/135
D651,627 S * 1/2012 Long D15/199
D655,324 S * 3/2012 Wong D15/199
D670,319 S * 11/2012 Liu D15/199
D680,705 S * 4/2013 Engas D34/33
D690,753 S * 10/2013 Liu D15/199
D707,277 S * 6/2014 Olsson D15/199
D713,436 S * 9/2014 Liu D15/199
D766,348 S * 9/2016 Long D15/199
D769,343 S * 10/2016 Bordegnoni D15/199
D769,954 S * 10/2016 Kinoshita D15/199
D774,579 S * 12/2016 Oda D15/199

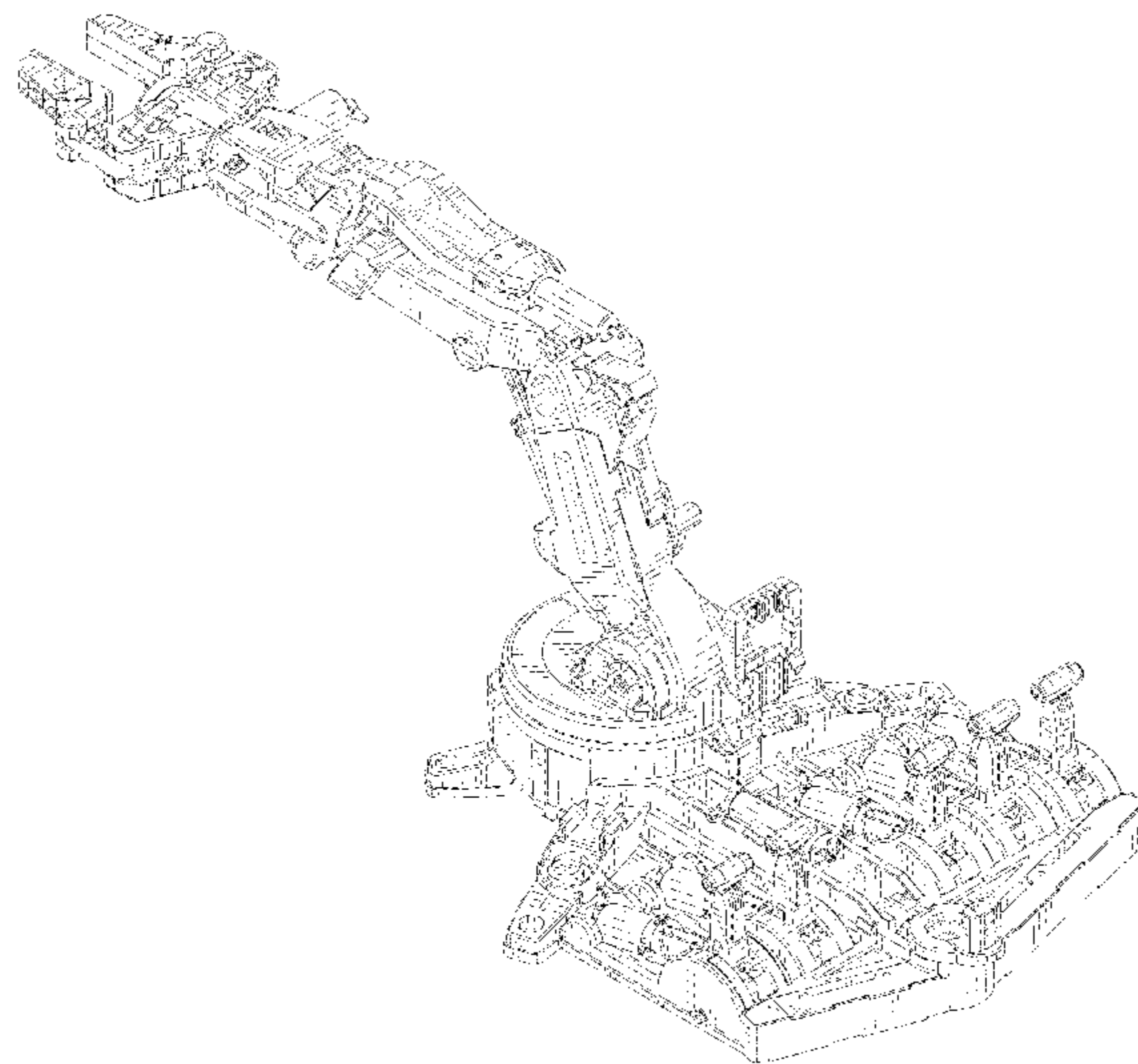
(57) **CLAIM**

The ornamental design for a toy robotic arm, as shown and described.

DESCRIPTION

FIG. 1 is a perspective view of a toy robotic arm showing my new design;
FIG. 2 is another perspective view thereof;
FIG. 3 is still another perspective view thereof;
FIG. 4 is a front view thereof;
FIG. 5 is a rear view thereof;
FIG. 6 is a left side view thereof;
FIG. 7 is a right side view thereof;
FIG. 8 is a top view thereof; and,
FIG. 9 is a bottom view thereof.
The broken lines represent portions of the toy robotic arm that form no part of the claimed design.

1 Claim, 9 Drawing Sheets



(56)

References Cited

U.S. PATENT DOCUMENTS

2016/0158942 A1* 6/2016 Augenbraun B25J 9/1694
700/253
2016/0339588 A1* 11/2016 Ochiishi B25J 9/1612
2016/0354930 A1* 12/2016 Linnell G05B 19/427

OTHER PUBLICATIONS

Amazon.com: OWI Robotic Arm Edge, oldest review Sep. 30, 2008, https://www.amazon.com/OWI-OWI-535-Robotic-Arm-Edge/dp/B00170FRCY/ref=cm_cr_ar_p_d_product_top?ie=UTF8, [site visited Jan. 14, 2017 3:44:47 PM].*

* cited by examiner

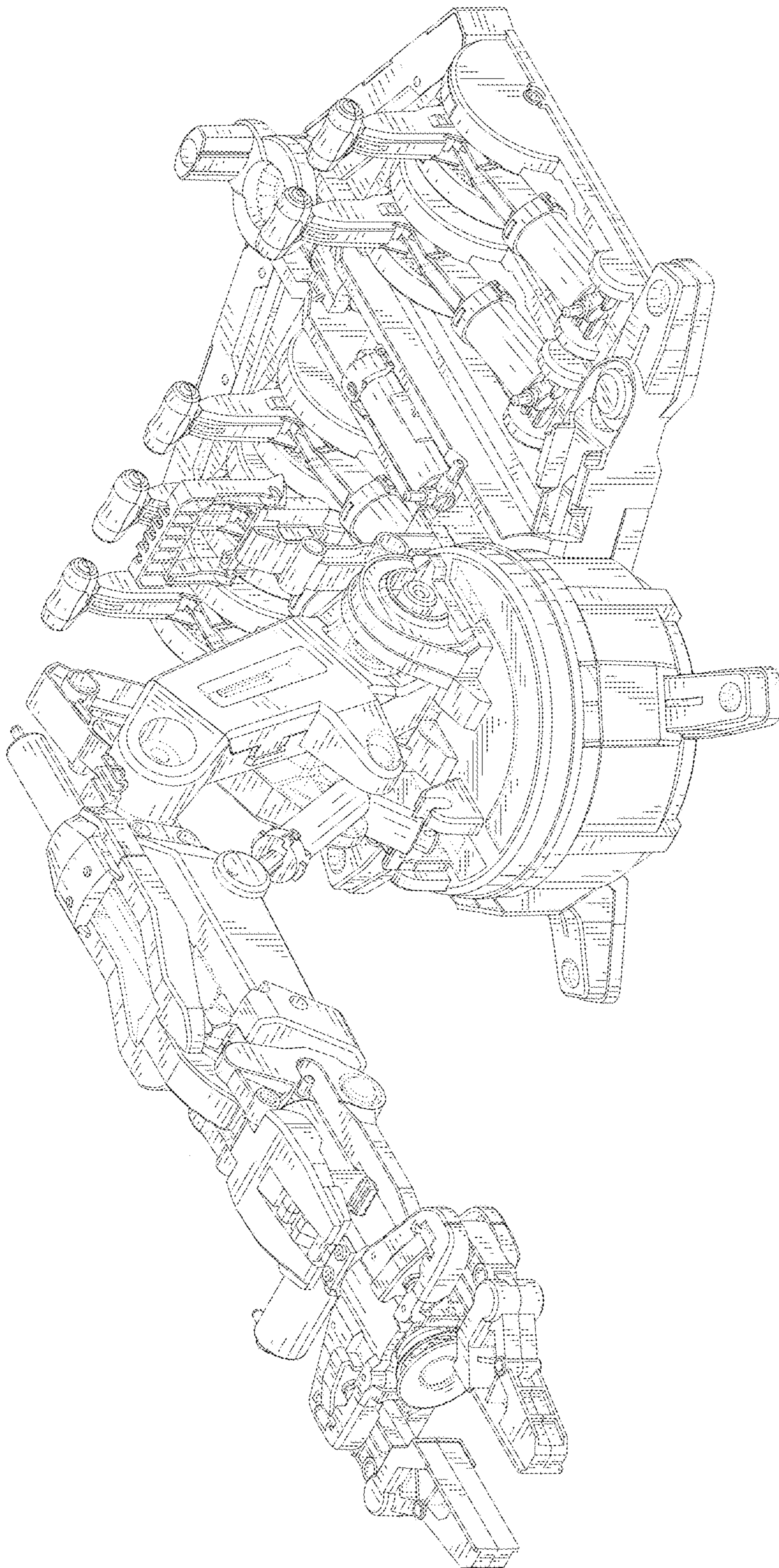


FIG.1

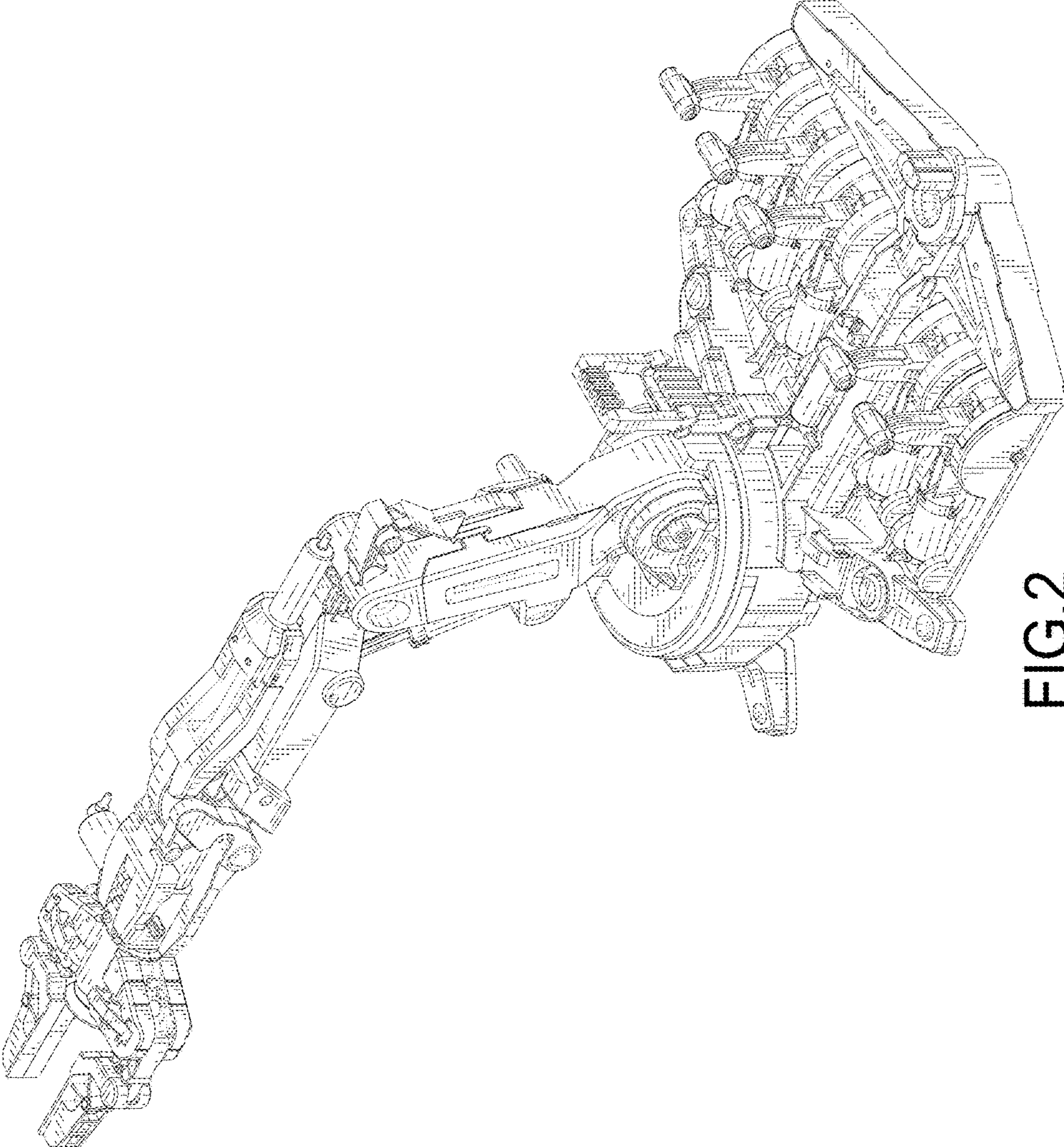


FIG.2

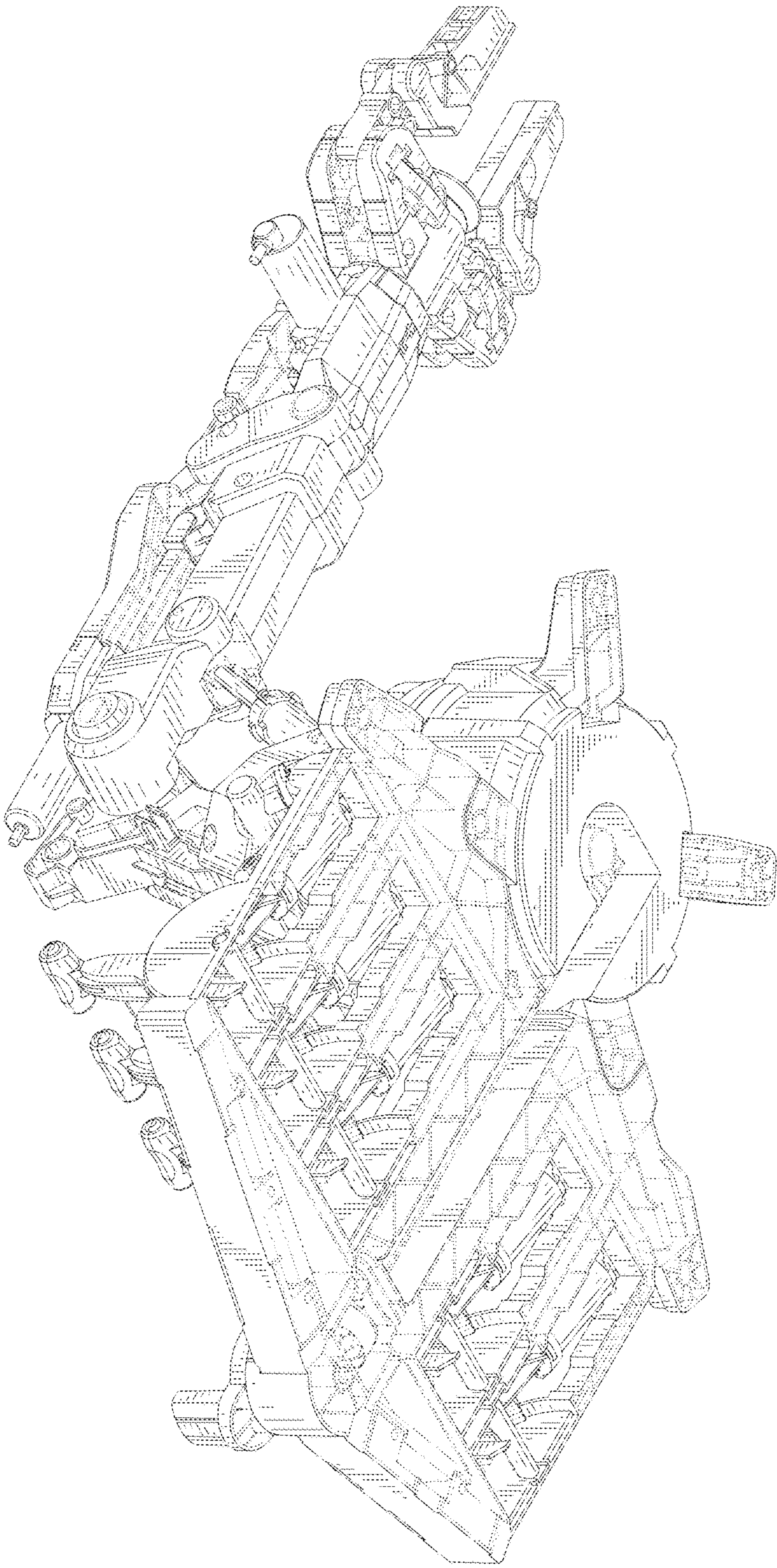


FIG.3

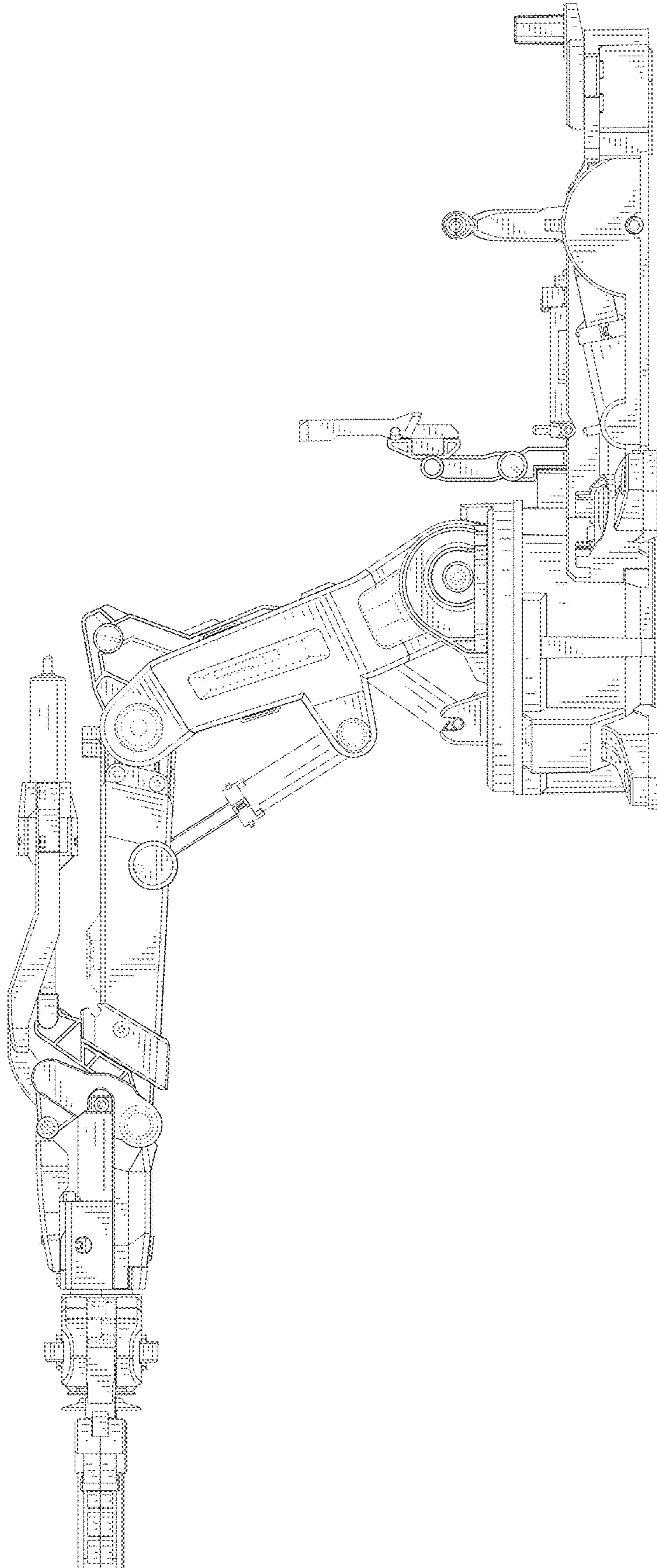


FIG.4

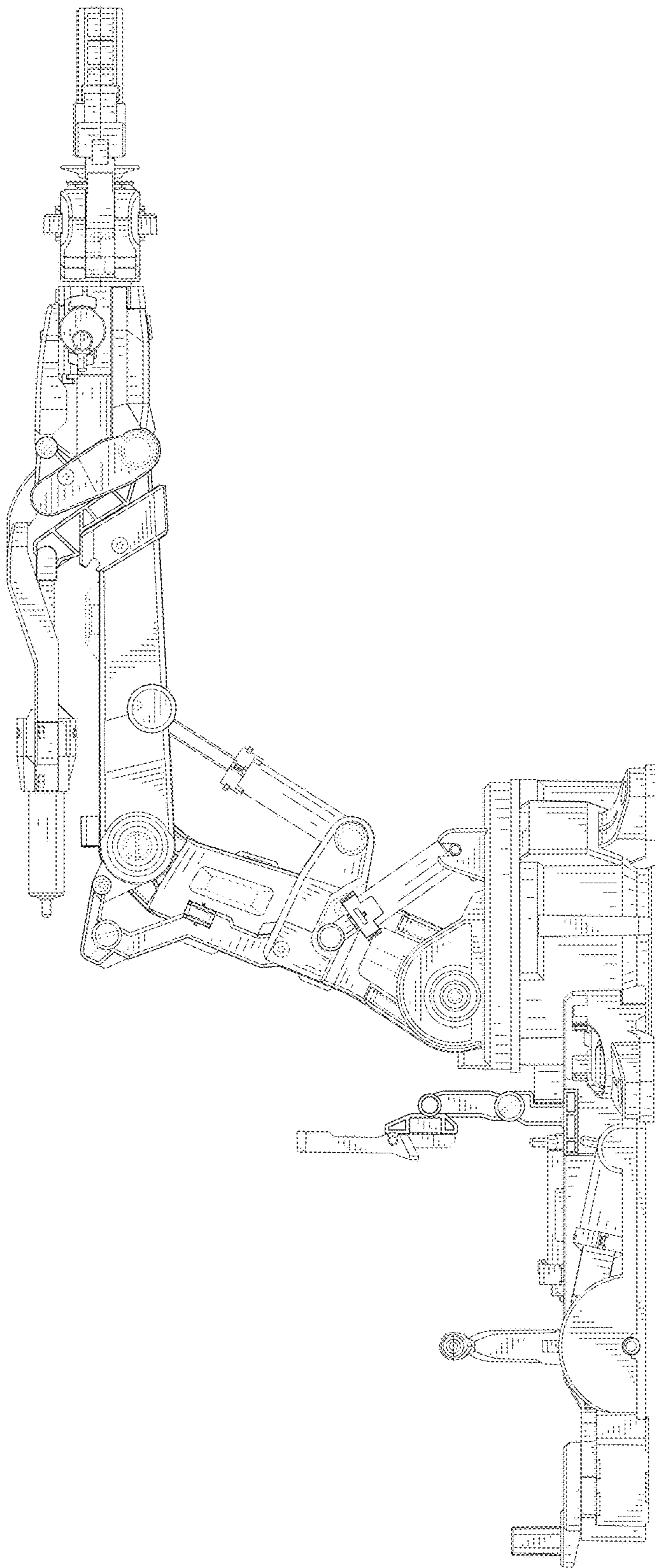


FIG.5

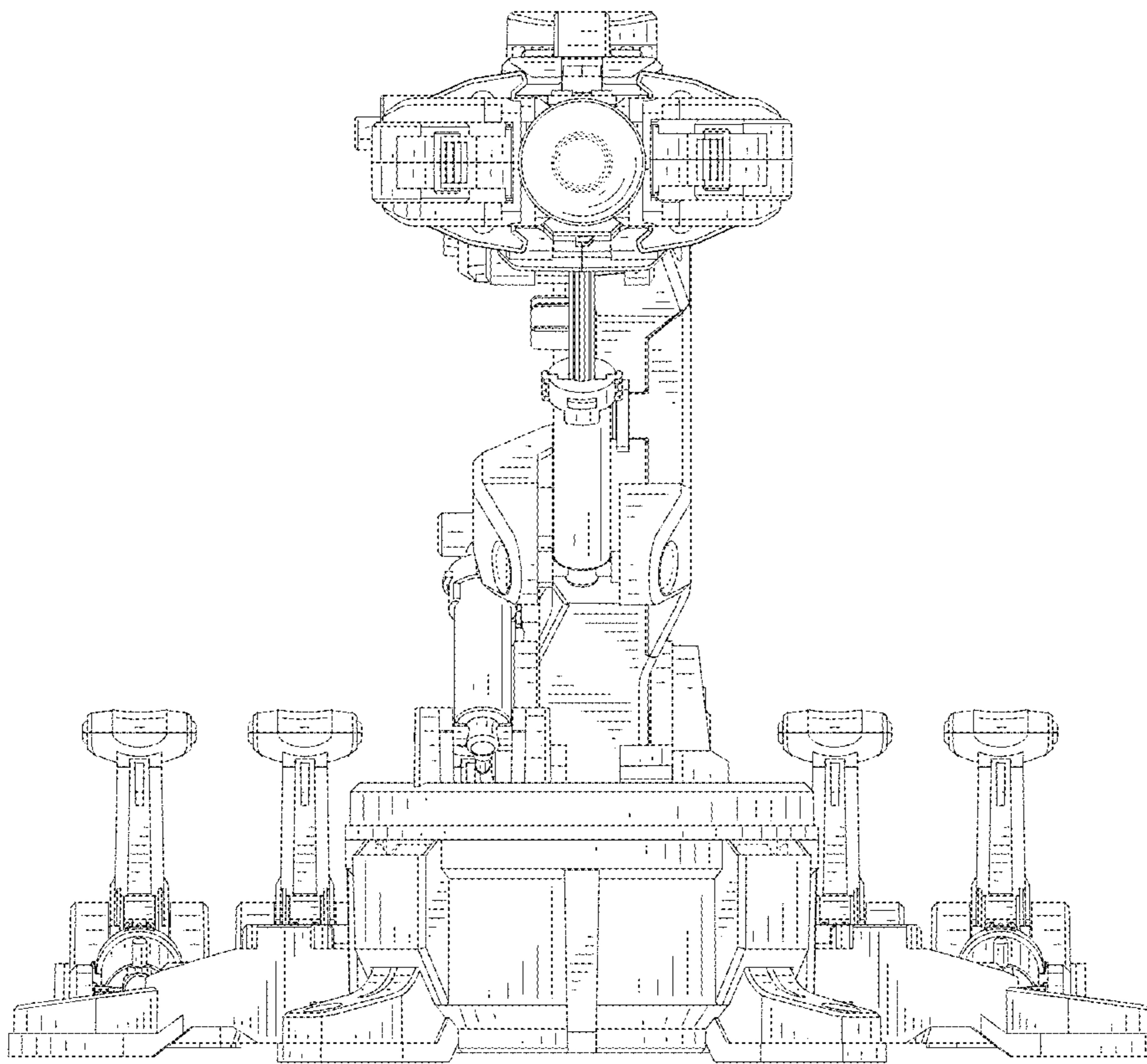


FIG.6

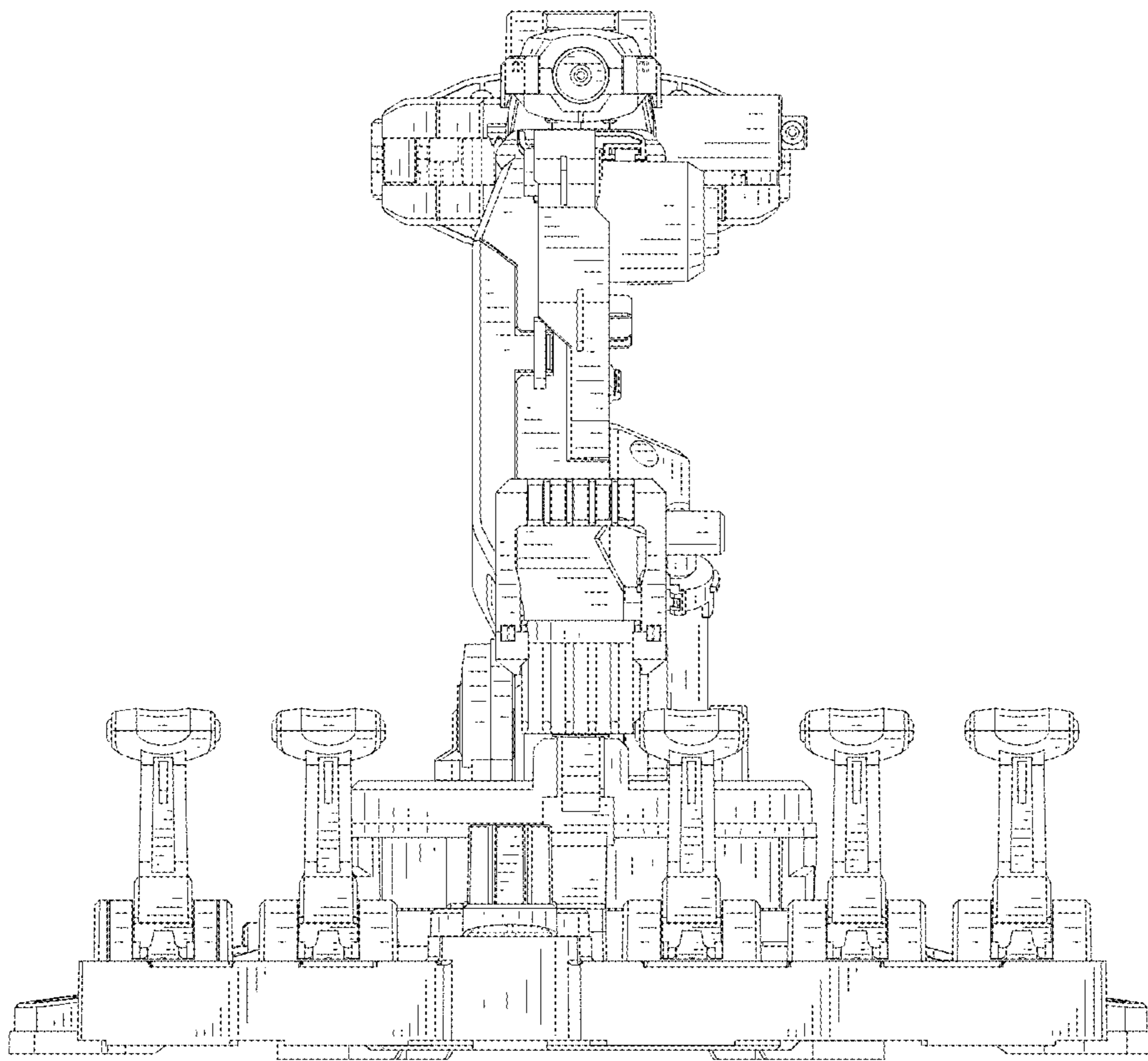


FIG.7

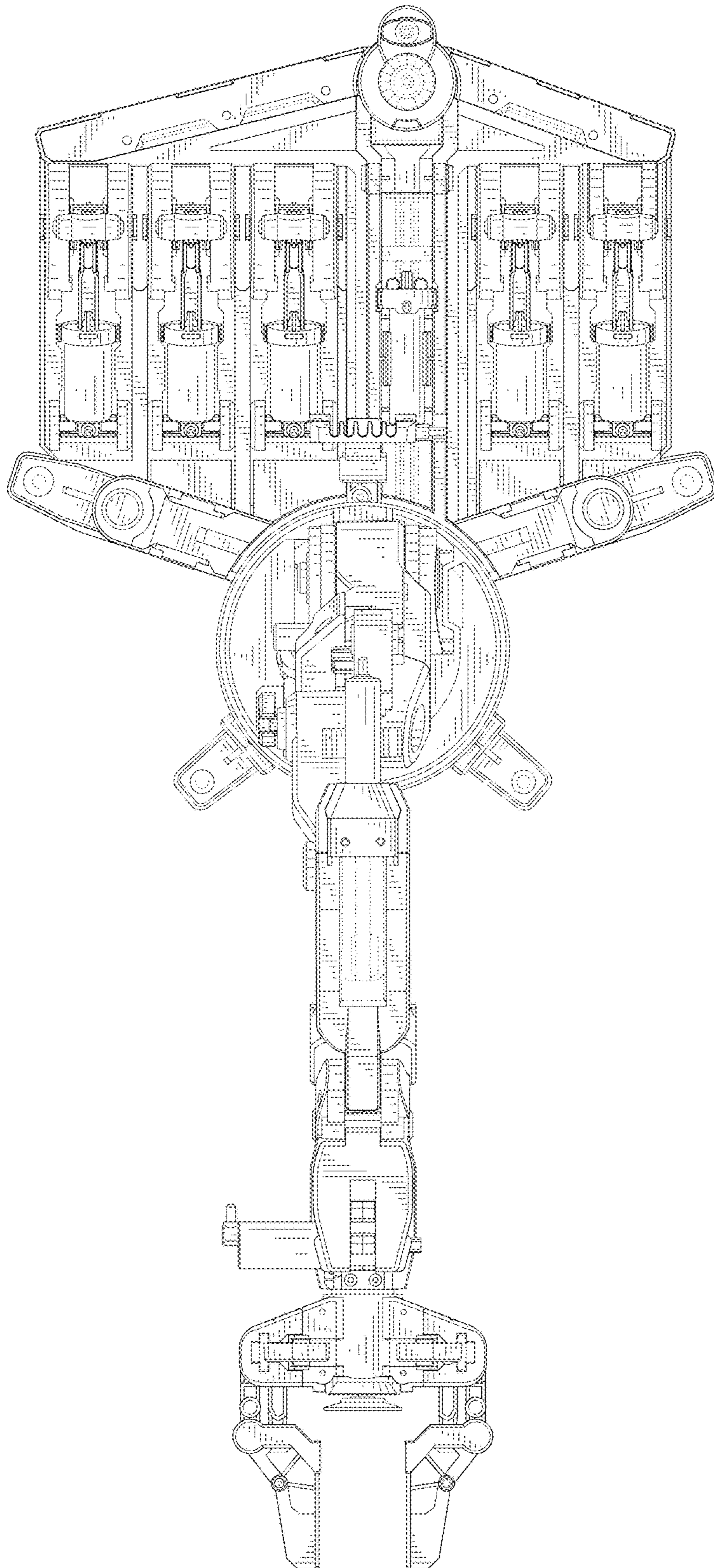


FIG. 8

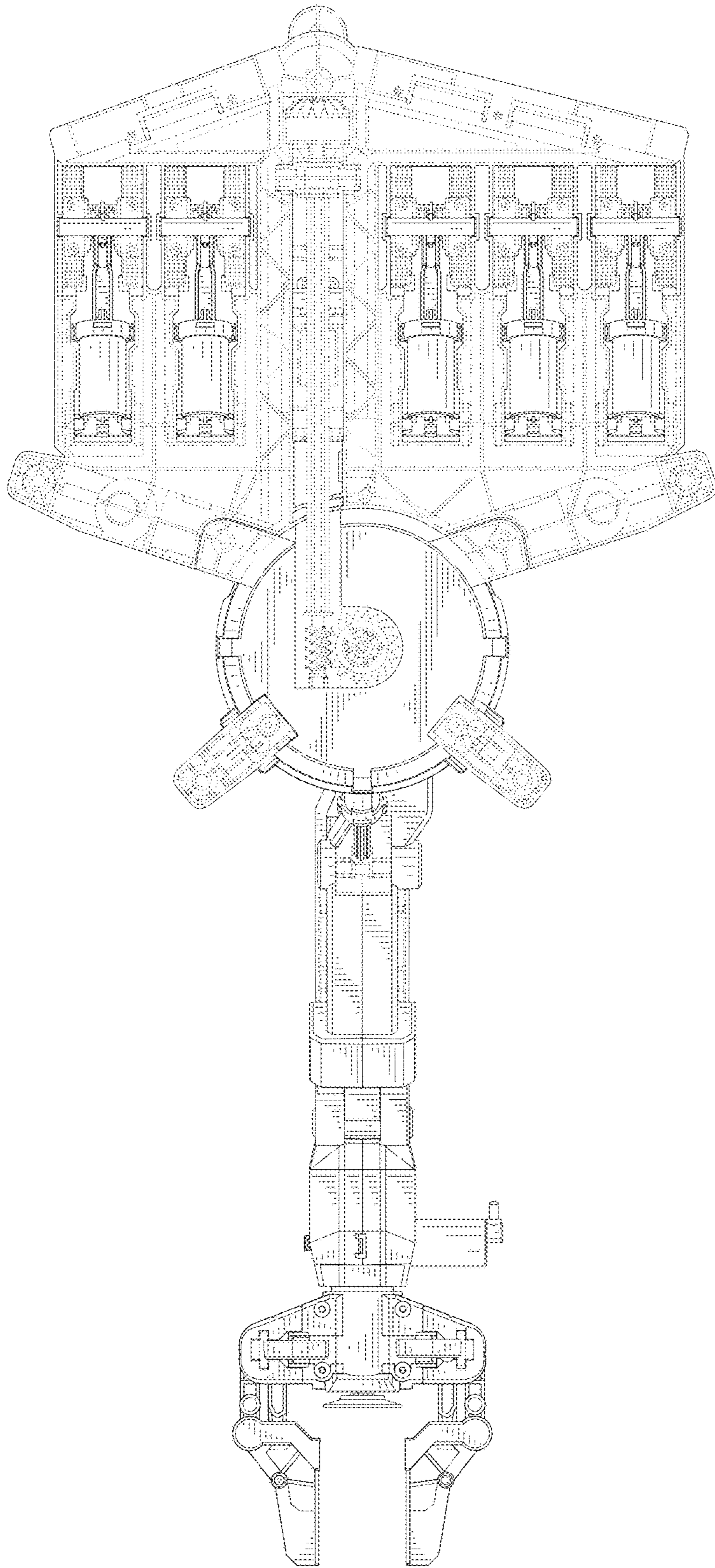


FIG.9