



US00D811490S

(12) **United States Design Patent**  
**Libby**

(10) **Patent No.:** **US D811,490 S**  
(45) **Date of Patent:** **\*\* Feb. 27, 2018**

(54) **CHILDREN'S FURNITURE**

FOREIGN PATENT DOCUMENTS

(71) Applicant: **Tim Libby**, Dalton Gardens, ID (US)

CN 303083386 \* 1/2015

(72) Inventor: **Tim Libby**, Dalton Gardens, ID (US)

OTHER PUBLICATIONS

(\*\*) Term: **15 Years**

AmazonSmile: ACME Furniture 37505T Tobi Twin Bed, website 2017, <https://smile.amazon.com/ACME-Furniture-37505T-Green-Train/dp/B01M074GT1/ref=sr...> site visited Sep. 24, 2017.\*

(21) Appl. No.: **29/584,187**

(Continued)

(22) Filed: **Nov. 11, 2016**

(51) **LOC (11) Cl.** ..... **21-01**

*Primary Examiner* — John Windmuller

(52) **U.S. Cl.**

*Assistant Examiner* — John R Yeh

USPC ..... **D21/522**

(74) *Attorney, Agent, or Firm* — Seed IP Law Group LLP

(58) **Field of Classification Search**

USPC ..... D21/522, 519, 530–531, 533, 539–541,  
D21/561, 473–474, 477, 493, 833, 830,  
D21/816, 811; D6/692.3, 685, 688.12,  
D6/696.1, 345, 404

CPC ..... A47K 3/001; A47B 19/04; A47F 5/01;  
A47D 15/00; A47D 1/02; A47D 7/00;  
E04H 15/36

See application file for complete search history.

(57) **CLAIM**

The ornamental design for children's furniture, as shown and described.

**DESCRIPTION**

(56) **References Cited**

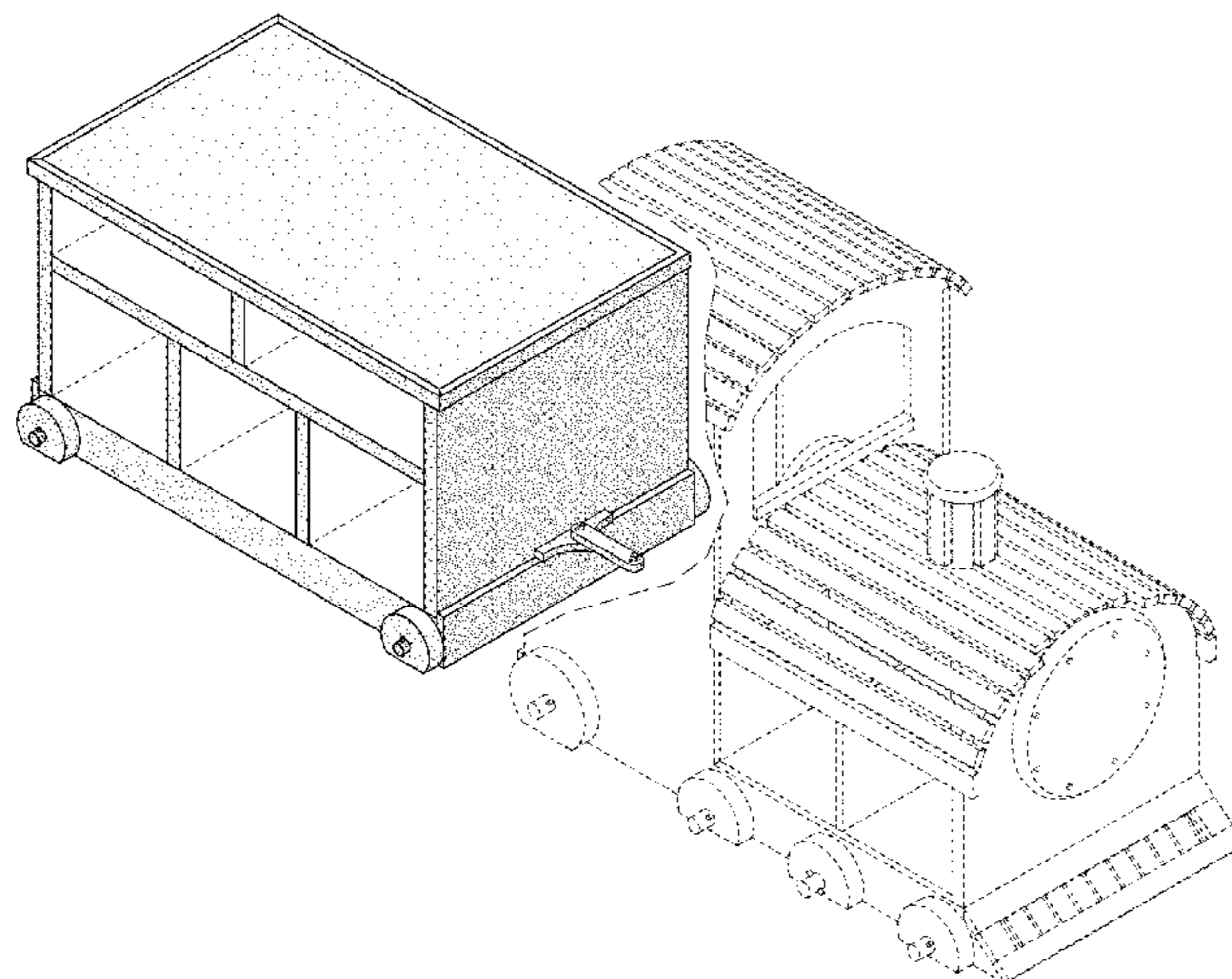
U.S. PATENT DOCUMENTS

193,460	A	*	7/1877	Reed	.....	A63H 17/002
						446/93
D24,263	S	*	4/1895	Ives	.....	D21/540
D30,156	S	*	2/1899	Kingsbury	.....	D21/540
D63,378	S	*	11/1923	Strauss	.....	D21/540
D68,611	S	*	11/1925	Brainard	.....	D21/541
D250,611	S	*	12/1978	Barlow	.....	D21/540
D261,763	S	*	11/1981	Thomas	.....	D14/143
D313,634	S	*	1/1991	Weiland	.....	D21/540
D337,517	S	*	7/1993	Hwang	.....	D12/40
D347,030	S	*	5/1994	Nolan	.....	D21/434
D348,299	S	*	6/1994	Mirabella	.....	D12/40
D359,509	S	*	6/1995	Fei	.....	D19/113
D380,247	S	*	6/1997	Morris	.....	D21/507
D380,248	S	*	6/1997	Morris	.....	D21/820
D389,883	S	*	1/1998	Schultz	.....	D21/540
D459,568	S	*	6/2002	Glenn	.....	D99/30
D469,132	S	*	1/2003	Song	.....	D21/541

(Continued)

FIG. 1 is an isometric view of my new design for children's furniture from a front perspective;  
FIG. 2 is an isometric view thereof from a front perspective with some unclaimed features broken away to better show the claimed design;  
FIG. 3 is another isometric view thereof;  
FIG. 4 is a left side elevational view thereof;  
FIG. 5 is a right side elevational view thereof;  
FIG. 6 is a front elevational view thereof;  
FIG. 7 is a rear elevational view thereof;  
FIG. 8 is a top plan view thereof; and,  
FIG. 9 is a bottom plan view thereof.  
Stippling in the drawings provides shading to represent three-dimensional contours of the design and is not intended to indicate surface decoration. The broken lines in the figures represent portions of the children's furniture that form no part of the claimed design.

**1 Claim, 7 Drawing Sheets**



(56)

**References Cited**

U.S. PATENT DOCUMENTS

D484,195 S \* 12/2003 Shippy ..... D21/540  
 D621,746 S \* 8/2010 Sun ..... D12/1  
 8,464,881 B2 \* 6/2013 Rieskamp ..... H01F 7/0242  
 213/75 R  
 D751,653 S \* 3/2016 Champ ..... D21/541  
 D767,691 S \* 9/2016 Wang ..... D21/540

OTHER PUBLICATIONS

Big Ticket Train Gifts for Kids, article date Nov. 13, 2014, <https://play-trains.com/big-ticket-train-gifts-for-kids/> site visited Sep. 24, 2017.\*  
 Amazon.com: Teamson Kids—Little Kids Blue Train Writing Desk, review date Jan. 2, 2014, site visited Sep. 24, 2017, [https://www.amazon.com/gp/product/B001KZFX1K/ref=as\\_at/?imprToken=gd3Q6sq6YO . . .](https://www.amazon.com/gp/product/B001KZFX1K/ref=as_at/?imprToken=gd3Q6sq6YO...).\*

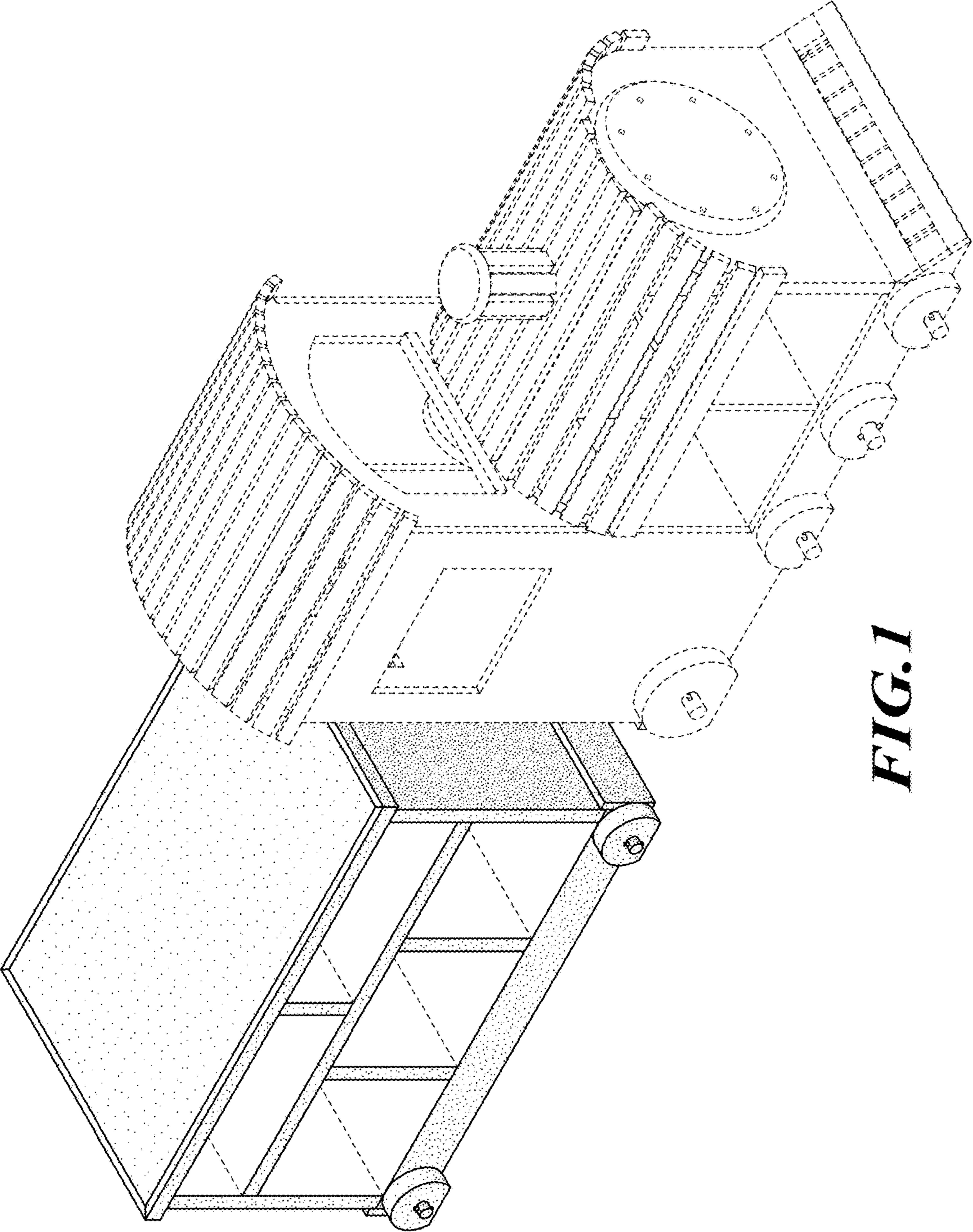
Amazing Train Crib, URL=<http://www.goodshomedesign.com/amazing-train-crib/>, download date Dec. 7, 2016. (2 pages) (publicly available prior to the filing of the present application).

Large Canadian Roadside Attractions: Wooden Train, URL=<http://roadsideattractions.ca/nardam.html>, download date Dec. 7, 2016. (1 page) (publicly available prior to the filing of the present application).

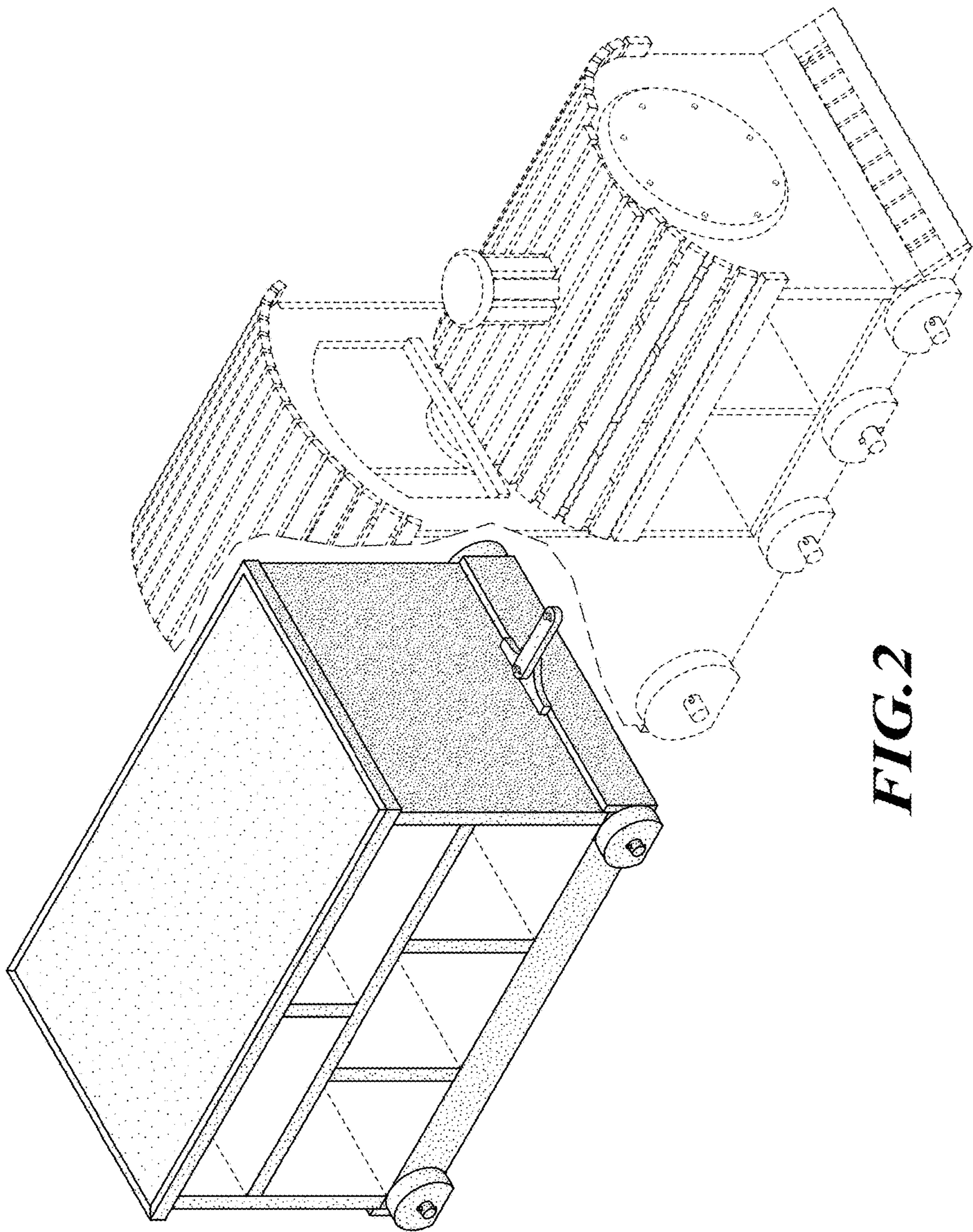
Teamson Kids Train Desk and Chair Set, URL=[https://www.bedbathandbeyond.com/store/product/teamson-kids-train-desk-and-chair-set/1045775604?skuId=45775604&mcid=PS\\_googlepla\\_nonbrand\\_dining\\_&product\\_id=45775604](https://www.bedbathandbeyond.com/store/product/teamson-kids-train-desk-and-chair-set/1045775604?skuId=45775604&mcid=PS_googlepla_nonbrand_dining_&product_id=45775604), download date Dec. 27, 2016. (2 pages) (publicly available prior to the filing of the present application).

Wooden Toy Train 3 Cars and 44 inches Long, URL=<http://www.etsy.com/listing/61051122/wooden-toy-train-3-cars-and-44-inches>, download date Dec. 7, 2016. (3 pages) (publicly available prior to the filing of the present application).

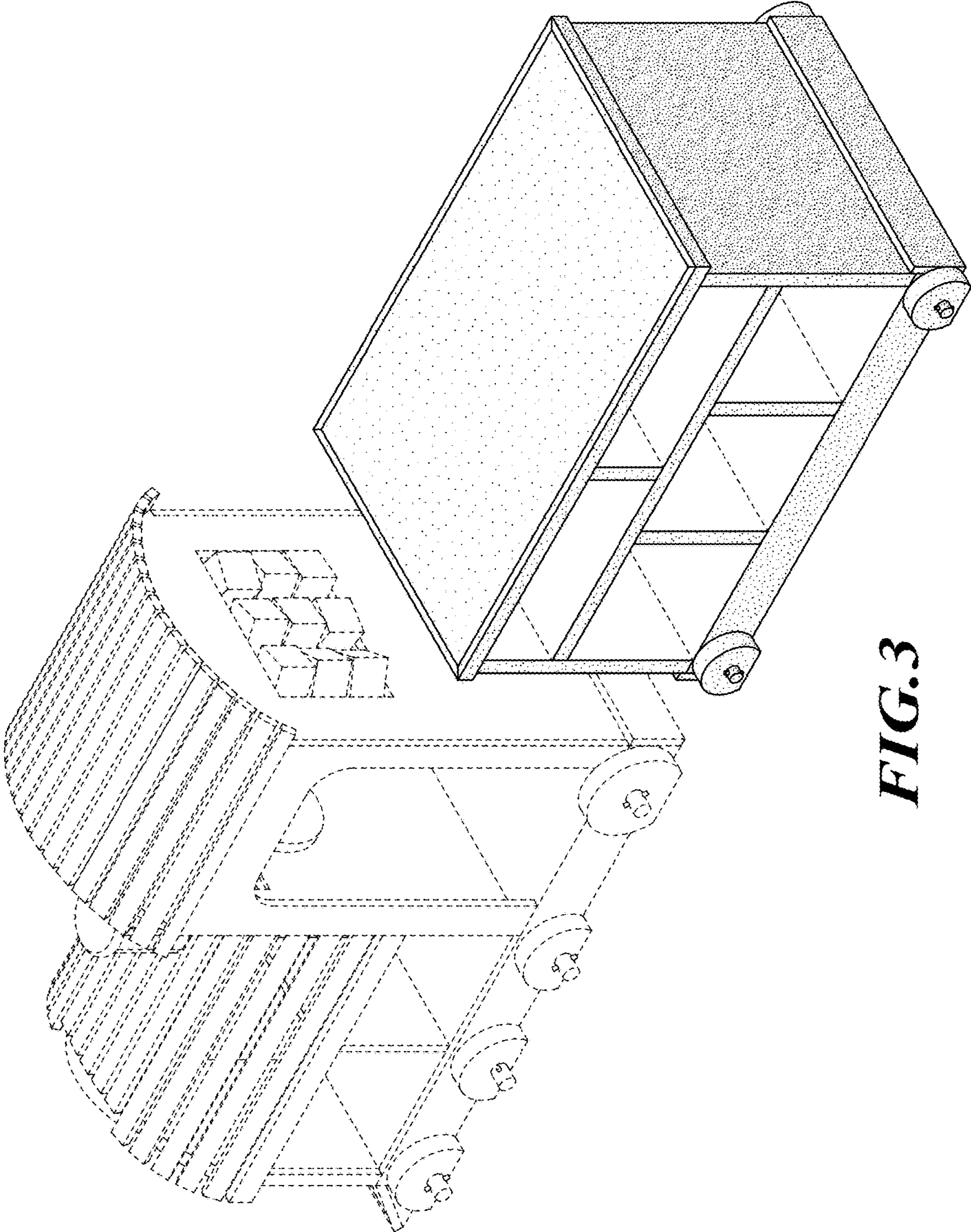
\* cited by examiner



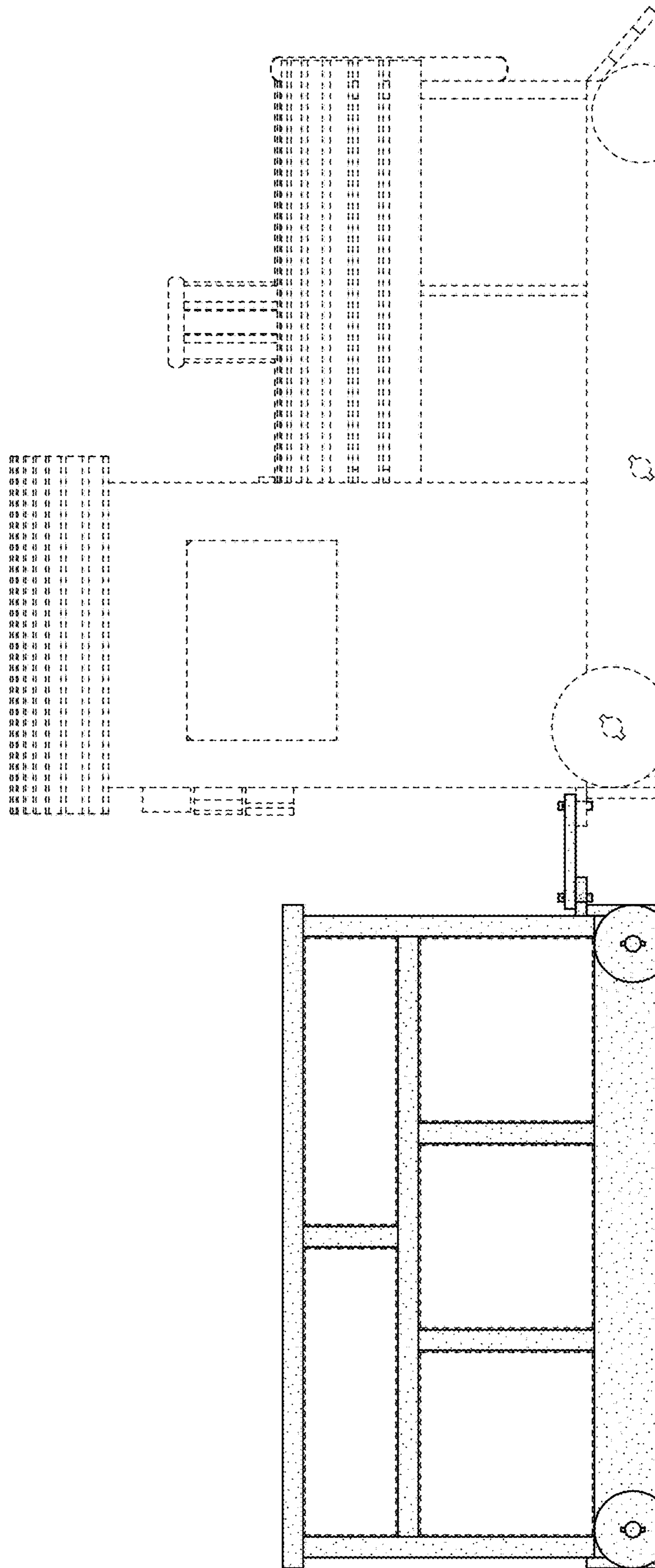
**FIG. 1**



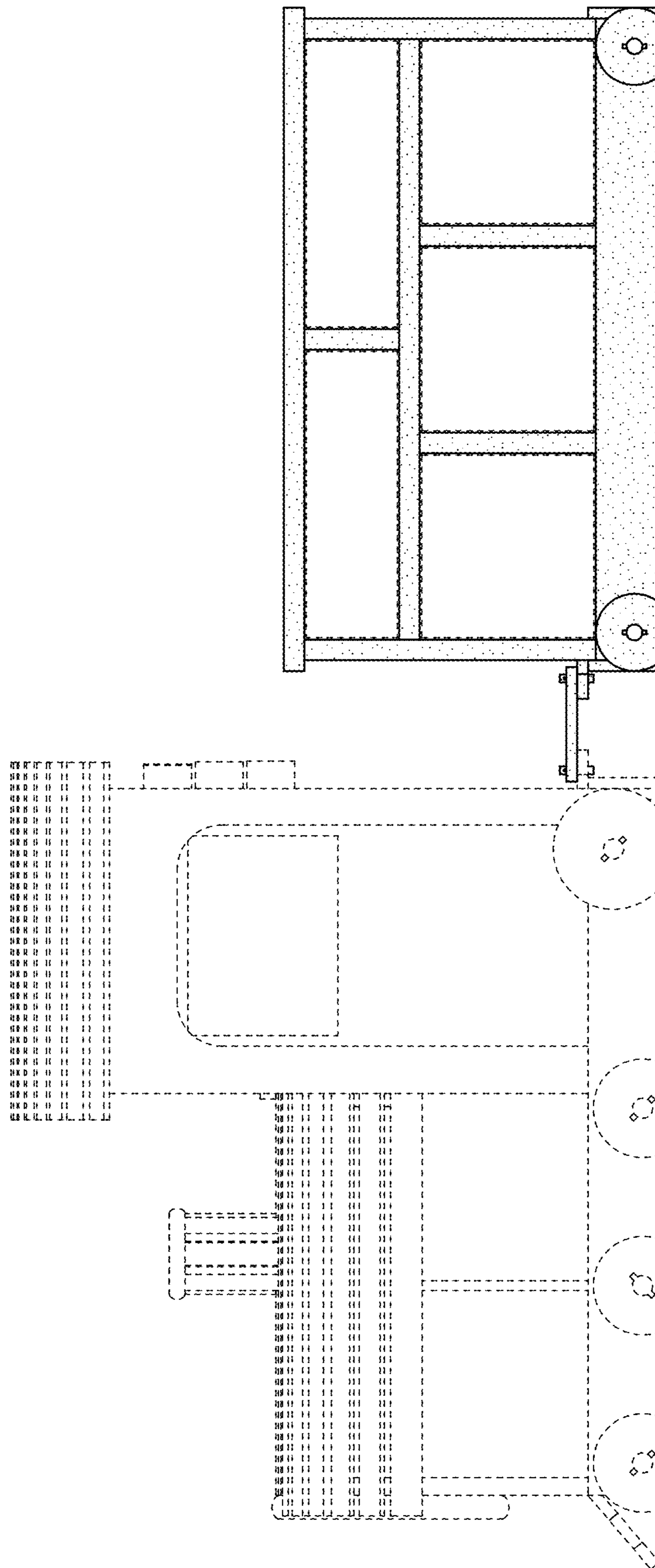
**FIG. 2**



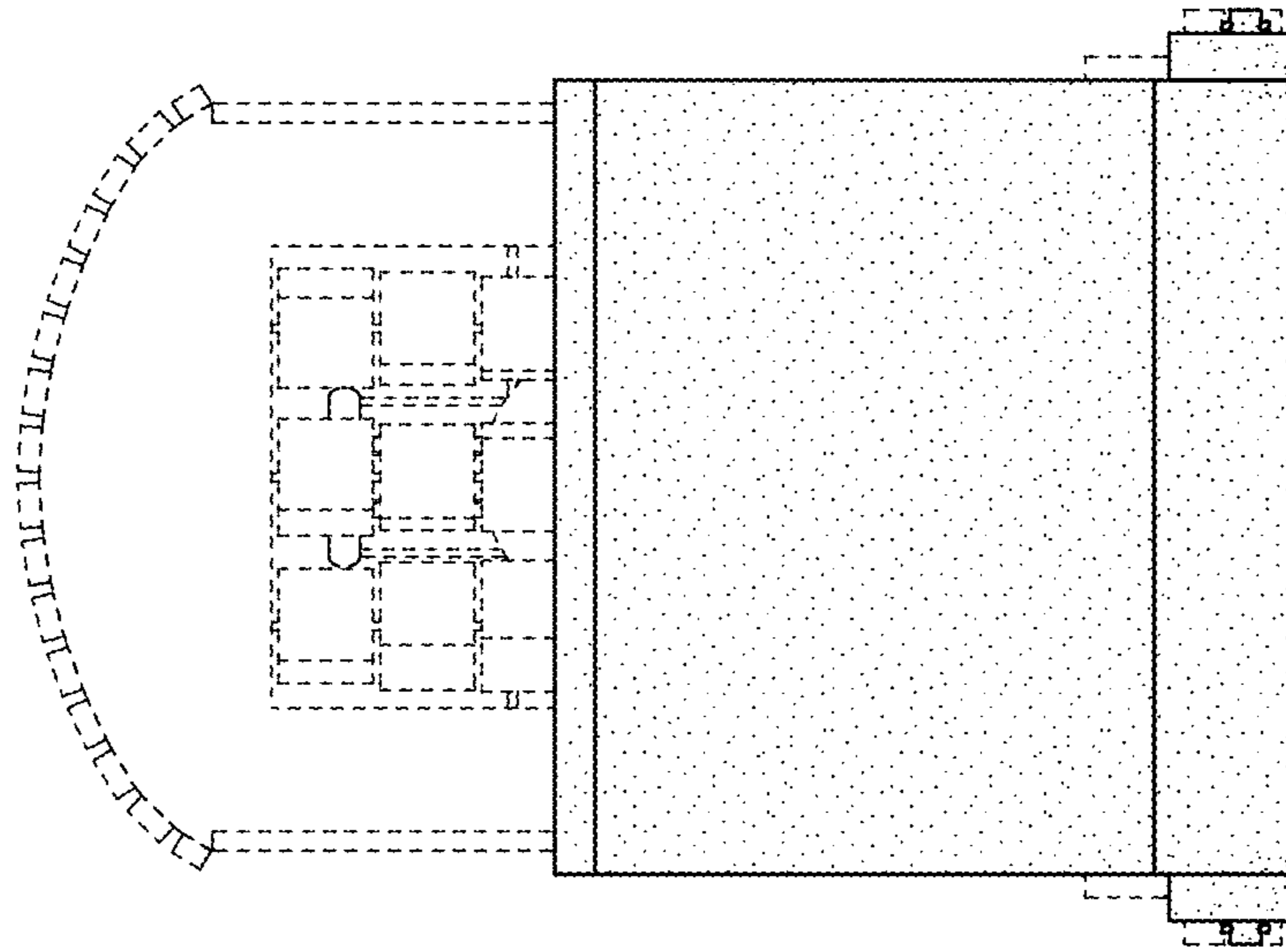
**FIG. 3**



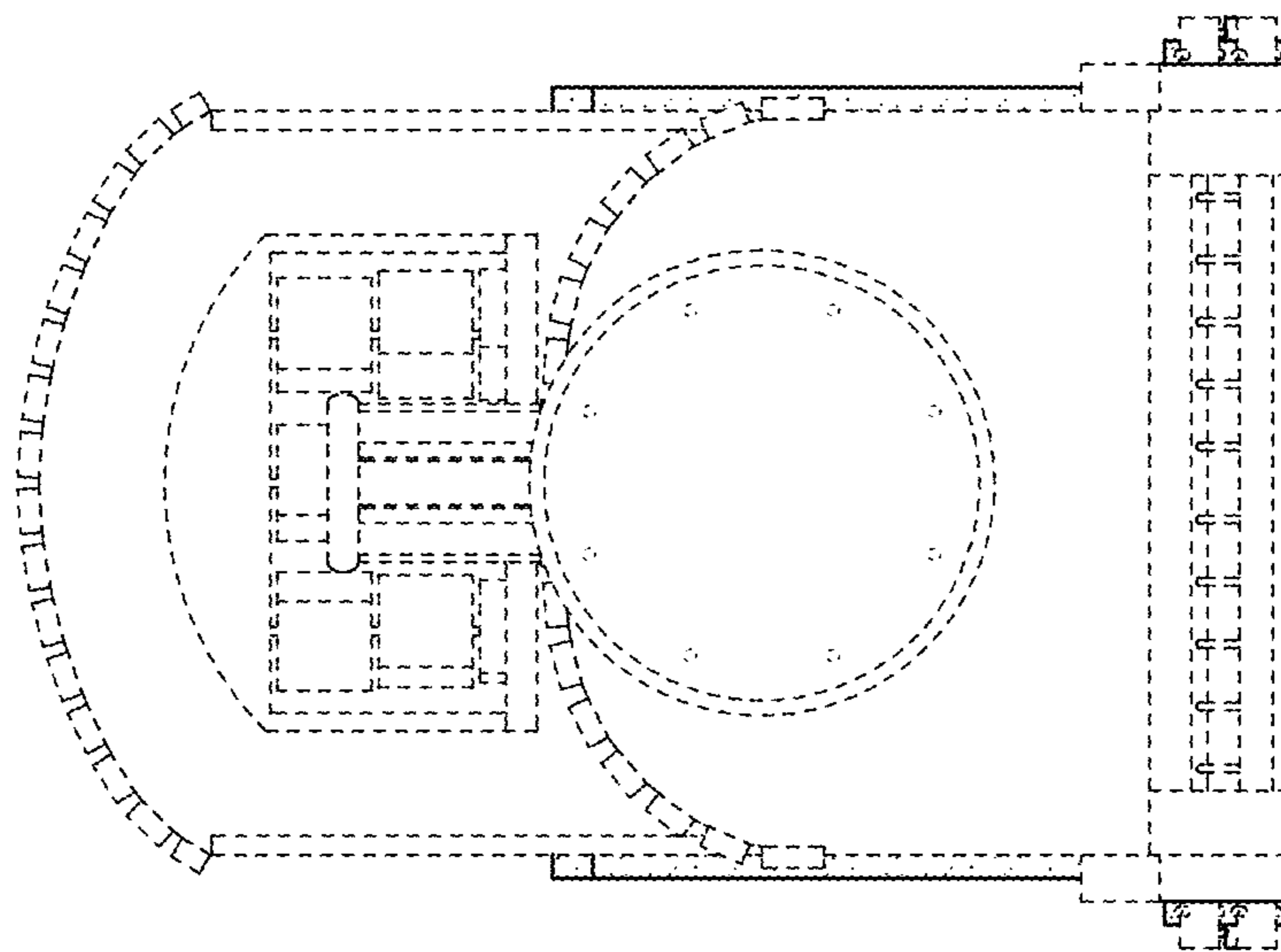
**FIG. 4**



**FIG. 5**

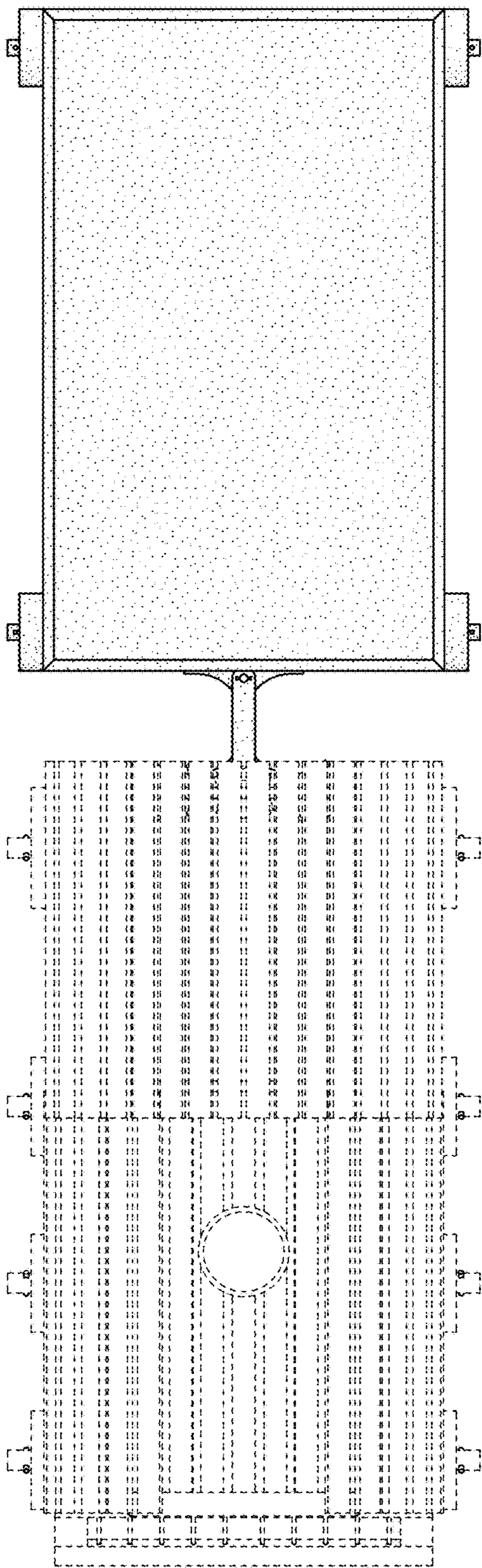


**FIG. 6**

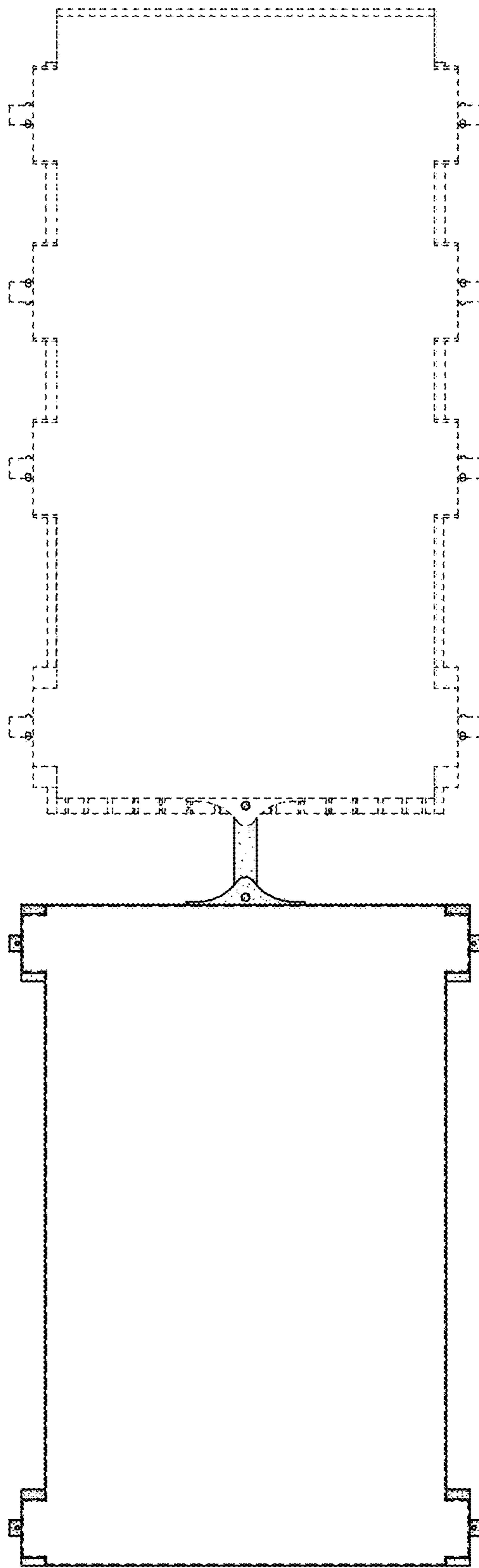


**FIG. 7**





**FIG. 8**



**FIG. 9**