



US00D811489S

(12) **United States Design Patent**
Hadley et al.

(10) **Patent No.:** **US D811,489 S**
(45) **Date of Patent:** **** Feb. 27, 2018**

- (54) **ELECTRIC SCOOTER**
- (71) Applicant: **RAZOR USA LLC**, Cerritos, CA (US)
- (72) Inventors: **Robert Hadley**, Yorba Linda, CA (US);
Robert Chen, San Marino, CA (US)
- (73) Assignee: **RAZOR USA LLC**, Cerritos, CA (US)
- (**) Term: **15 Years**
- (21) Appl. No.: **29/587,133**
- (22) Filed: **Dec. 9, 2016**

6,139,035 A	10/2000	Tsai	
D433,718 S	11/2000	Mcgreen	
D435,873 S	1/2001	Lee	
D438,912 S	3/2001	Barrera	
D439,623 S *	3/2001	Barrera	D21/423
D446,259 S *	8/2001	Udwin	D21/423
D447,187 S	8/2001	Powers	
6,273,205 B1	8/2001	Tsai	
D645,522 S	9/2001	Powers et al.	

(Continued)

Related U.S. Application Data

- (63) Continuation of application No. 29/553,287, filed on Jan. 29, 2016, now Pat. No. Des. 774,145, which is a continuation of application No. 29/527,262, filed on May 18, 2015, now Pat. No. Des. 748,738, which is a continuation of application No. 29/500,274, filed on Aug. 22, 2014, now abandoned, which is a continuation of application No. 29/472,328, filed on Nov. 11, 2013, now abandoned, which is a continuation of application No. 29/415,919, filed on Mar. 15, 2012, now Pat. No. Des. 693,414.
- (51) **LOC (11) Cl.** **21-01**
- (52) **U.S. Cl.**
USPC **D21/423**
- (58) **Field of Classification Search**
USPC D21/419, 421, 423, 426-428, 435, 760,
D21/765, 771; D12/1, 8, 108, 112, 113
CPC . B62K 3/002; B62K 9/00; B62K 9/02; B62K
13/00; B62K 2202/00
See application file for complete search history.

References Cited

U.S. PATENT DOCUMENTS

4,094,372 A	6/1978	Notter
5,662,187 A	9/1997	McGovern

FOREIGN PATENT DOCUMENTS

CH	598051	4/1978
WO	WO 2017/127464 A1	7/2017

OTHER PUBLICATIONS

Chinese Office Action for App No. 201220229824.2 dated Nov. 9, 2012.

Primary Examiner — Cynthia M Chin
(74) *Attorney, Agent, or Firm* — Knobbe, Martens, Olson & Bear LLP

CLAIM

(57) The ornamental design for an electric scooter, as shown and described.

DESCRIPTION

FIG. 1 is a perspective view showing top, left and rear sides of an electric scooter.
FIG. 2 is a right side view of the electric scooter of FIG. 1.
FIG. 3 is a left side view of the electric scooter of FIG. 1.
FIG. 4 is a front view of the electric scooter of FIG. 1.
FIG. 5 is a rear view of the electric scooter of FIG. 1.
FIG. 6 is a top view of the electric scooter of FIG. 1; and,
FIG. 7 is a bottom view of the electric scooter of FIG. 1.
Where utilized, the broken lines show portions of the electric scooter that form no part of the claimed design.

1 Claim, 5 Drawing Sheets



(56)

References Cited

U.S. PATENT DOCUMENTS

6,296,082 B1	10/2001	Tsai	D684,217 S	6/2013	Hadley	
6,298,952 B1	10/2001	Tsai	D691,671 S	10/2013	Chen et al.	
D452,284 S	12/2001	McGinnis	D692,963 S	11/2013	Radtke et al.	
D453,804 S	2/2002	Robinson	D693,414 S	11/2013	Hadley et al.	
D454,377 S	3/2002	Hsu et al.	D698,868 S	2/2014	Chan	
D456,460 S	4/2002	Tseng	8,813,892 B2 *	8/2014	Hadley	F16D 49/00 180/220
6,378,880 B1	4/2002	Lin	D714,396 S	9/2014	Talios	
6,386,330 B1	5/2002	Wei	D715,870 S	10/2014	Talios	
6,394,213 B1	5/2002	Tsai	8,870,200 B2	10/2014	Chen	
D459,761 S	7/2002	Chen	D717,881 S	11/2014	Radtke et al.	
6,416,060 B1	7/2002	Chen	8,925,935 B2	1/2015	Powers et al.	
6,462,493 B2	10/2002	Lan	D727,833 S *	4/2015	Talios	D12/423
D471,597 S	3/2003	Chen	9,045,189 B2 *	6/2015	Lovley, II	B62K 3/002
D471,598 S	3/2003	Chen	D738,435 S *	9/2015	O'Connell	D21/423
D475,093 S *	5/2003	Furter	D748,738 S	2/2016	Hadley et al.	
6,619,416 B2	9/2003	Lan	D750,180 S	2/2016	Edlauer	
D486,532 S	2/2004	Christianson	9,321,504 B2	4/2016	Hadley et al.	
6,739,421 B1	5/2004	Miya	D756,464 S	5/2016	Edlauer	
D492,367 S	6/2004	Dennis	D772,990 S	11/2016	Allais	
D497,397 S	10/2004	Sramek	D774,145 S	12/2016	Hadley et al.	
6,832,660 B2	12/2004	Dodd	D777,844 S	1/2017	Connell	
D513,629 S	1/2006	Sramek	D778,806 S	2/2017	Welford	
D516,132 S	2/2006	Sramek	9,592,876 B2 *	3/2017	Lovley, II	B62K 3/002
D569,447 S	5/2008	Thomas	2002/0093161 A1	7/2002	Udwin et al.	
D579,987 S *	11/2008	Hong	2002/0105157 A1	8/2002	Chen	
D603,463 S	11/2009	Jessie, Jr.	2003/0221888 A1	12/2003	McKinney, Jr. et al.	
D654,963 S	2/2012	Powers et al.	2007/0045976 A1	3/2007	Wu	
D656,560 S	3/2012	Patterson et al.	2008/0203691 A1 *	8/2008	Hsu	B60T 1/04 280/87.041
D671,600 S	11/2012	Horne	2013/0320648 A1	12/2013	Eckert et al.	
D672,400 S	12/2012	Pizzi	2016/0347402 A1	12/2016	Hadley et al.	

* cited by examiner



FIG. 1

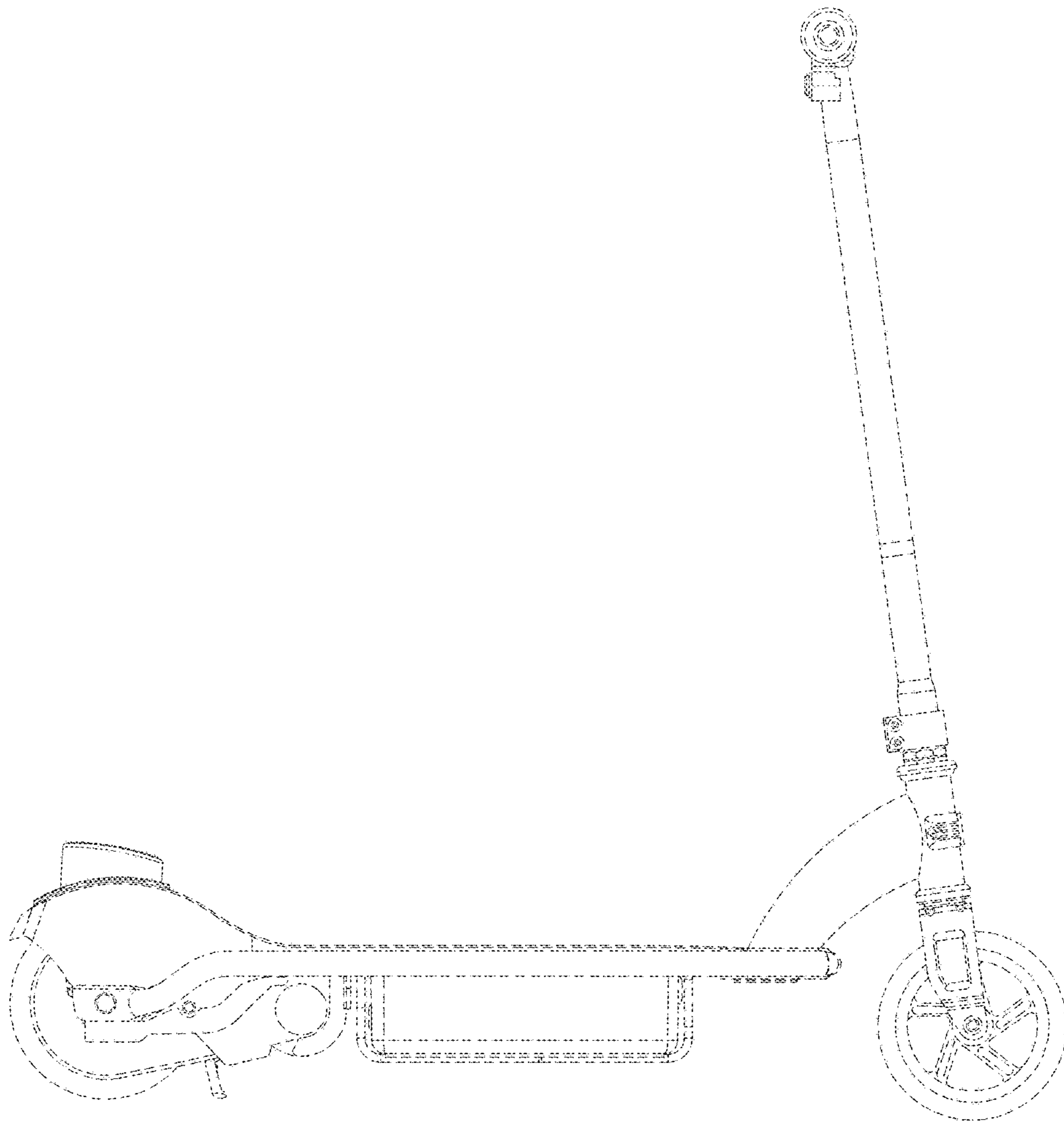


FIG. 2

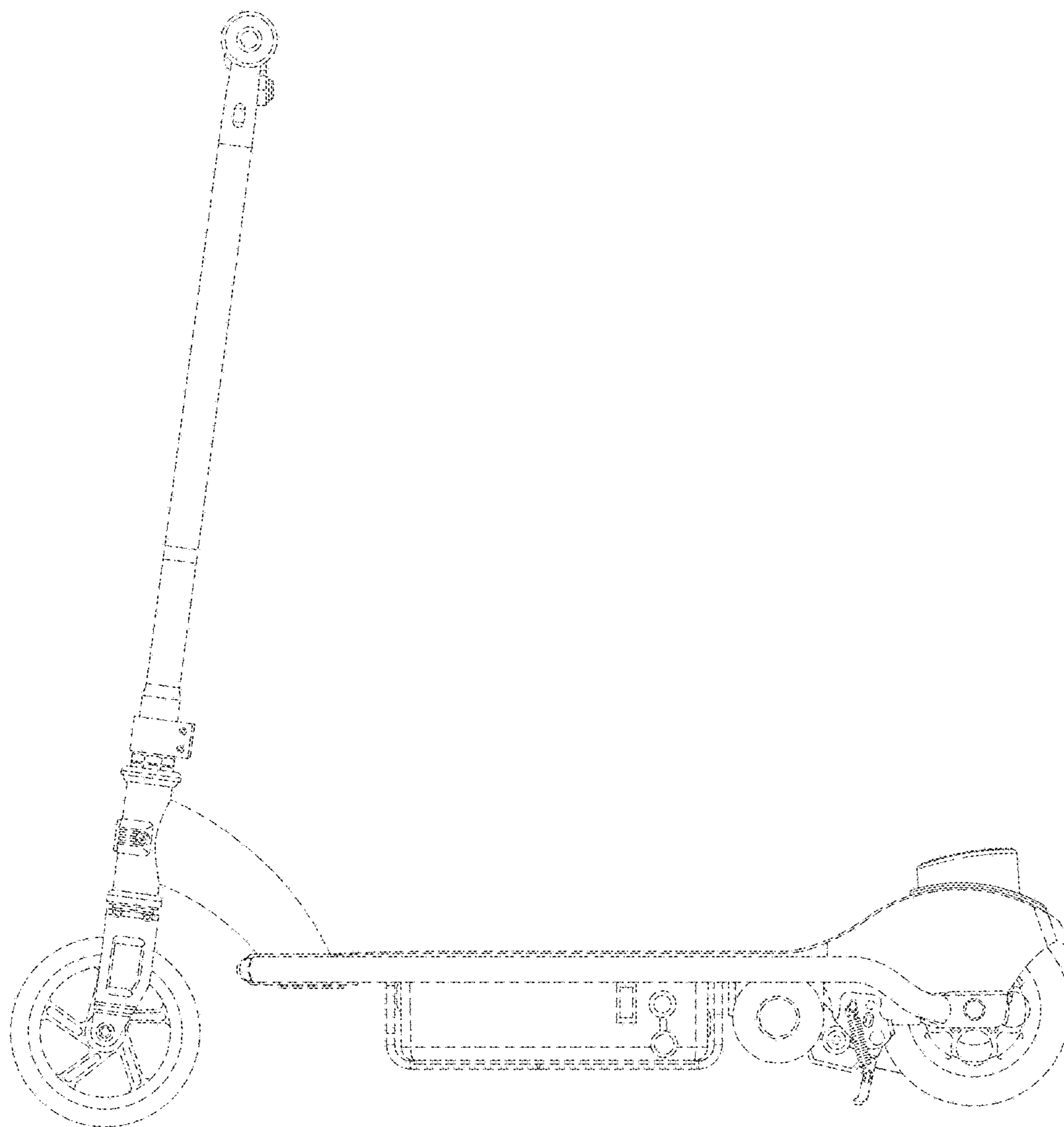


FIG. 3

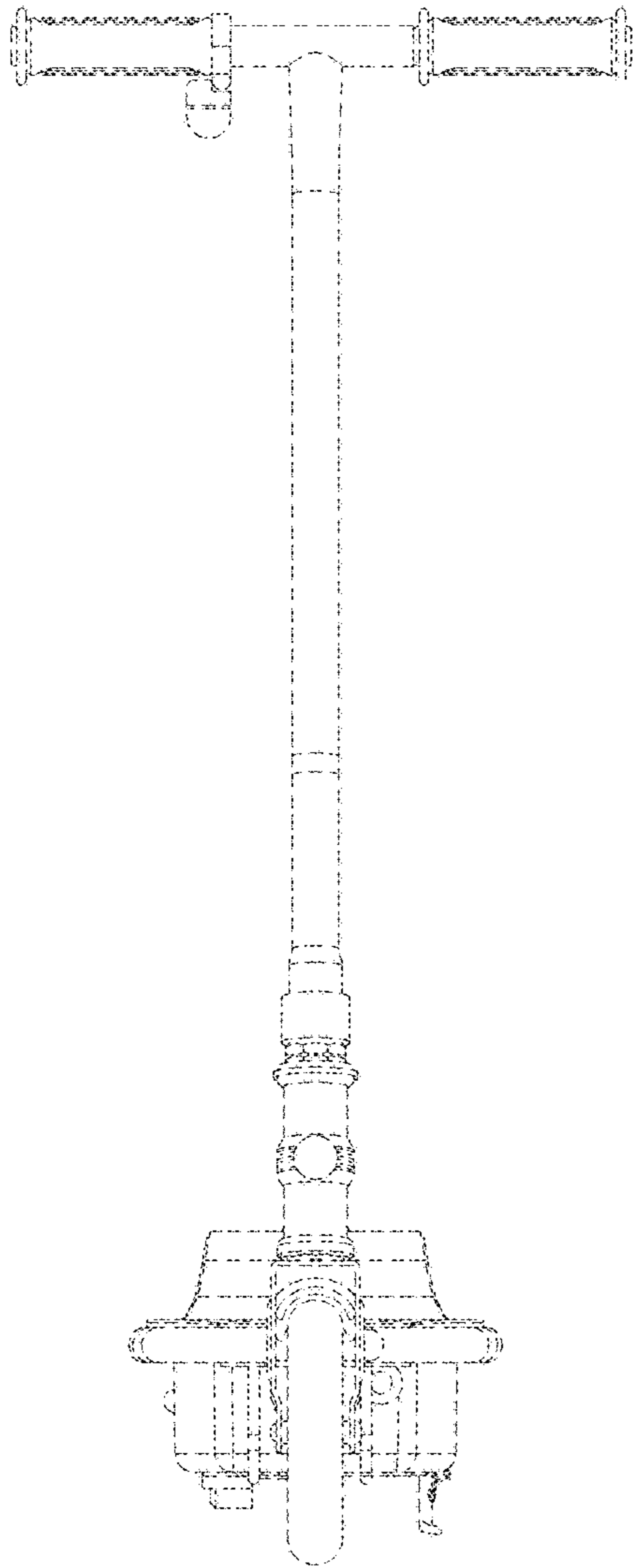


FIG. 4

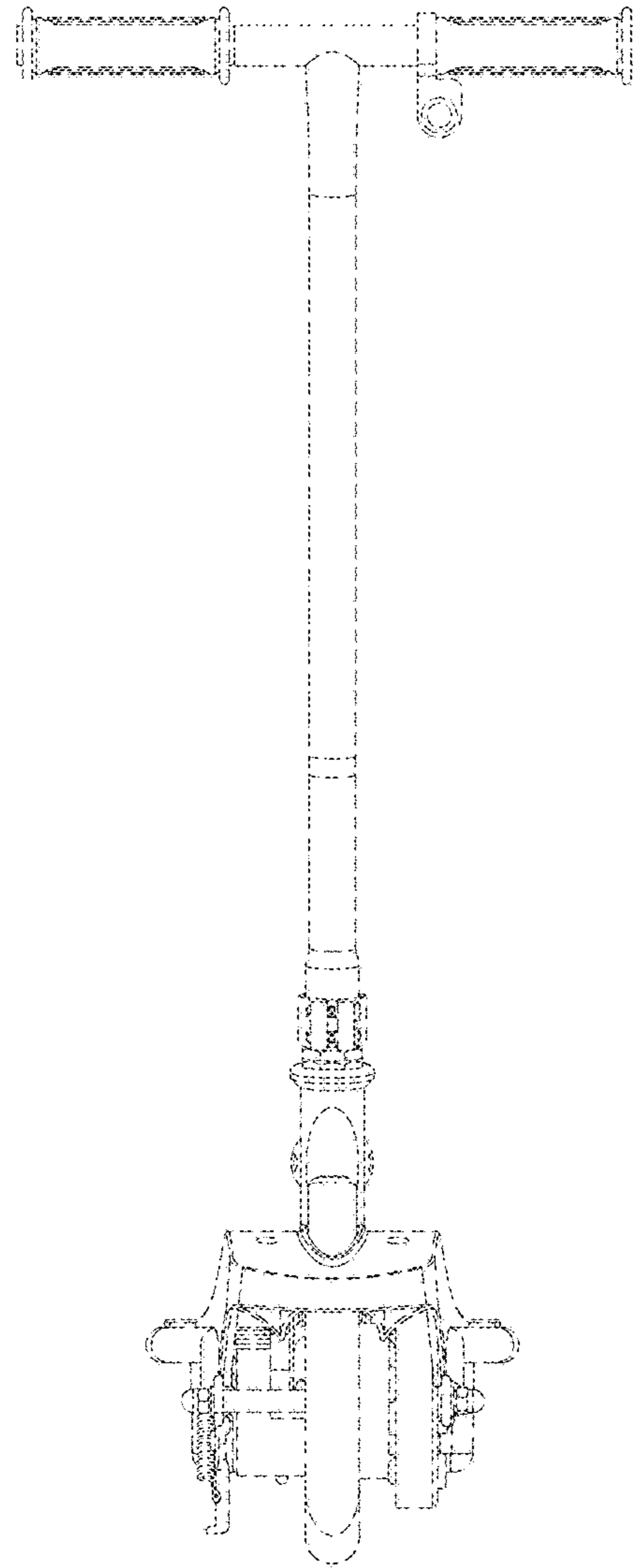


FIG. 5

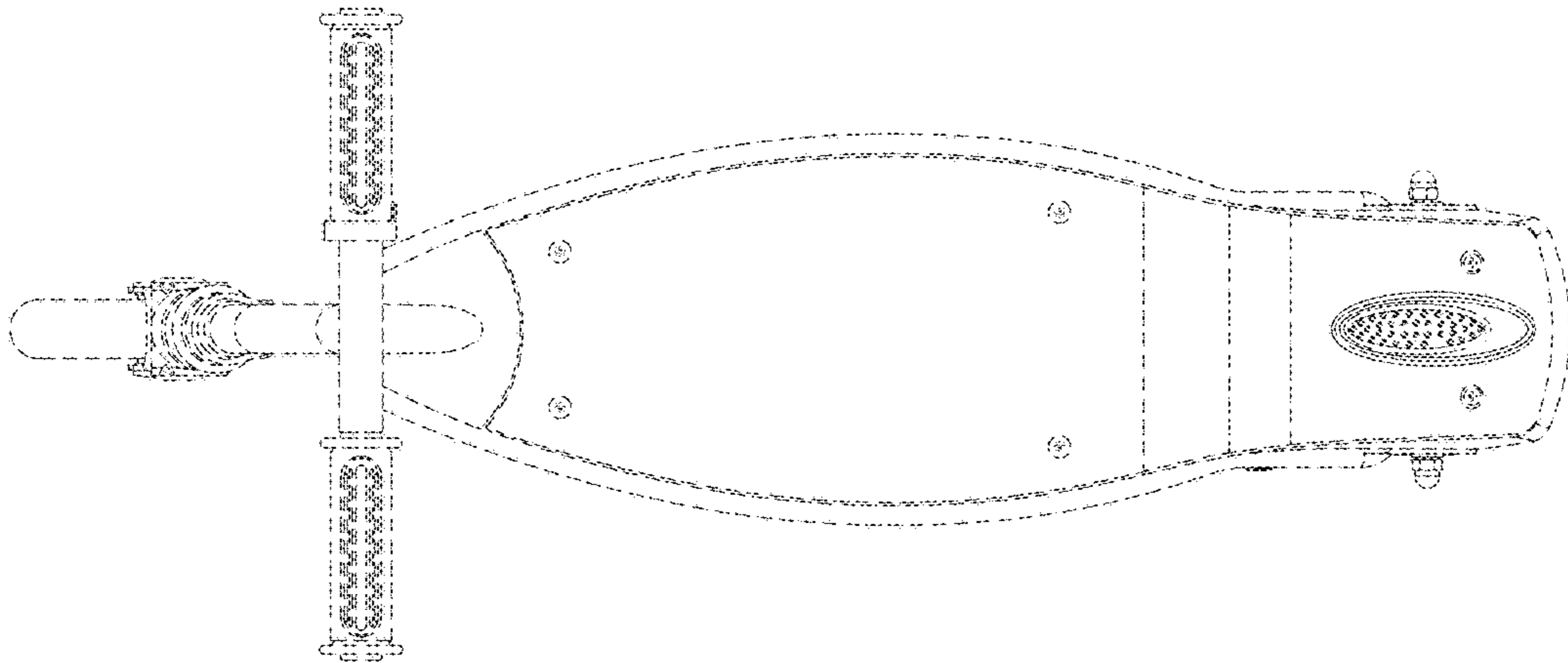


FIG. 6

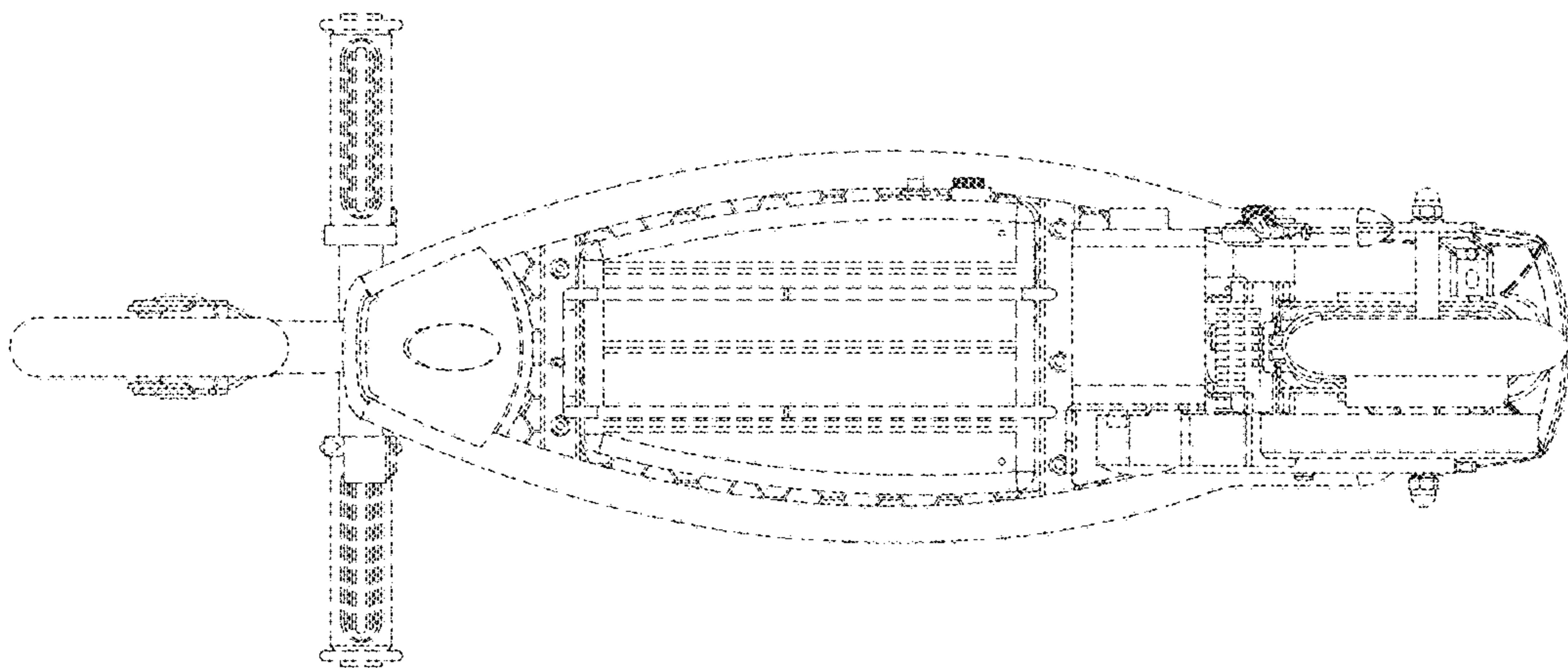


FIG. 7