



US00D811483S

(12) **United States Design Patent** (10) **Patent No.:** **US D811,483 S**
Sumii (45) **Date of Patent:** **** Feb. 27, 2018**

(54) **ARITHMETIC AND CONTROL UNIT**
(71) Applicant: **SONY INTERACTIVE ENTERTAINMENT INC.**, Tokyo (JP)
(72) Inventor: **Tetsu Sumii**, Tokyo (JP)
(73) Assignee: **SONY INTERACTIVE ENTERTAINMENT INC.**, Tokyo (JP)

D433,410 S * 11/2000 Matsuzaka D14/125
D494,586 S * 8/2004 Kanatani D14/356
D495,330 S * 8/2004 Kanatani D14/356
D516,634 S * 3/2006 Man-tat D21/332
D520,998 S * 5/2006 Sanefuji D14/356
D532,785 S * 11/2006 Lo D14/363
D574,360 S * 8/2008 Matsuoka D14/168
D576,686 S * 9/2008 Ashida D21/324
D659,112 S * 5/2012 Ryu D14/125

(Continued)

(**) Term: **15 Years**

FOREIGN PATENT DOCUMENTS

(21) Appl. No.: **29/594,561**

RU 91019 12/2014

(22) Filed: **Feb. 21, 2017**

OTHER PUBLICATIONS

(30) **Foreign Application Priority Data**

Aug. 26, 2016 (JP) 2016-018242

Israeli Official Action—Design Application No. 59979 dated Aug. 13, 2017.

(51) **LOC (11) Cl.** **21-01**

Primary Examiner — Prabhakar Deshmukh

(52) **U.S. Cl.**
USPC **D21/332; D14/203.2**

(74) *Attorney, Agent, or Firm* — Young & Thompson

(58) **Field of Classification Search**
USPC D14/496, 401, 435, 474, 483, 217, 137,
D14/138, 160, 168, 356, 203.1–203.8,
D14/507; 345/156, 169, 173–179, 905;
715/727–729, 864; 710/1, 5, 8; 713/1,
713/600; 455/1.1, 1.7, 73, 344–347, 93,
455/95, 3.01–3.06, 550.1, 573.1;
370/342–344; 369/1, 2, 6–12;
463/43–47, 29–35; 273/148 B;
D21/324–333

(57) **CLAIM**

The ornamental design for an arithmetic and control unit, as shown and described.

CPC A63F 9/00; A63F 9/24; A63F 11/00; A63F
13/00; H04J 1/08; H04J 15/00; H04J
14/02; H04J 2203/0025

DESCRIPTION

See application file for complete search history.

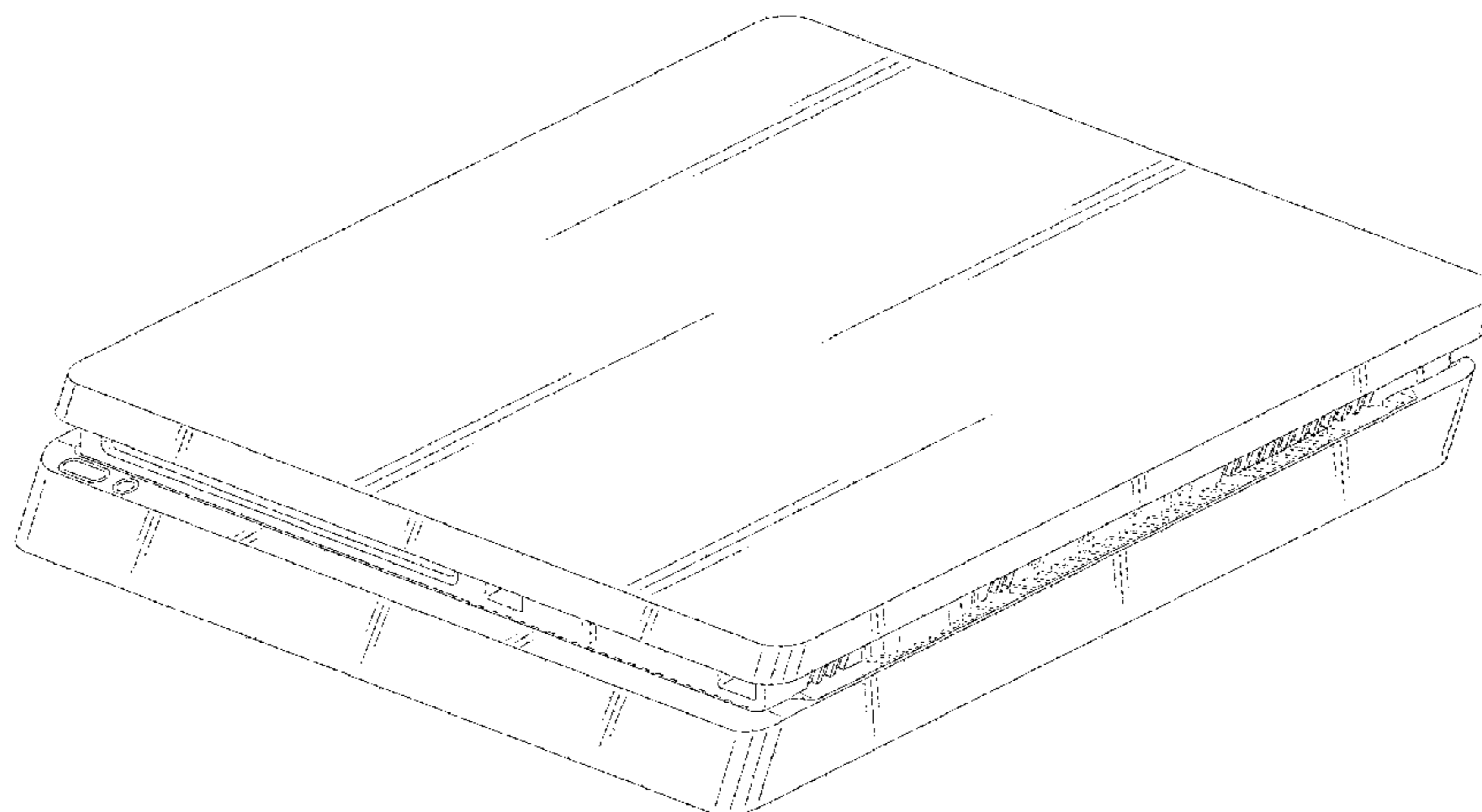
FIG. 1 is a perspective view of front, top and right side of an arithmetic and control unit showing my new design; FIG. 2 is a perspective view of rear, bottom and right side thereof; FIG. 3 is a front view thereof; FIG. 4 is a rear view thereof; FIG. 5 is a left side view thereof; FIG. 6 is a right side view thereof; FIG. 7 is a top view thereof; FIG. 8 is a bottom view thereof; and, FIG. 9 is a sectional view taken along line 9-9 of FIG. 3. The broken lines illustrate unclaimed portions and form no part of the claimed design.

(56) **References Cited**

U.S. PATENT DOCUMENTS

4,573,092 A * 2/1986 Sugiyama G11B 19/04
360/133
4,698,707 A * 10/1987 Heys, Jr. G11B 33/027
312/284

1 Claim, 7 Drawing Sheets



(56)

References Cited

U.S. PATENT DOCUMENTS

D754,658 S 4/2016 Sumii
2002/0181380 A1* 12/2002 Wada G11B 17/0405
720/628
2008/0004735 A1* 1/2008 Michener H04H 20/89
700/94

* cited by examiner

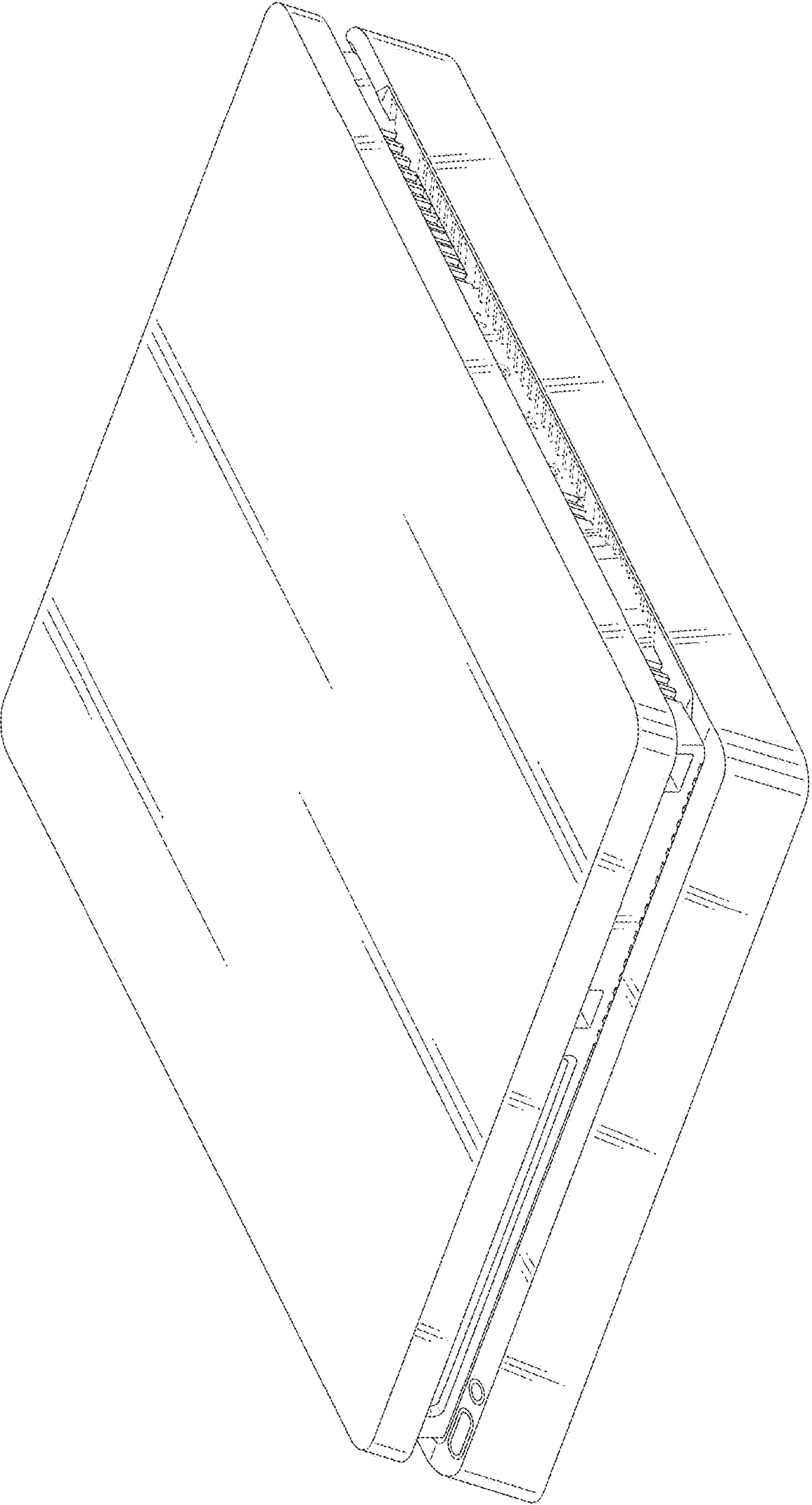


FIG. 1

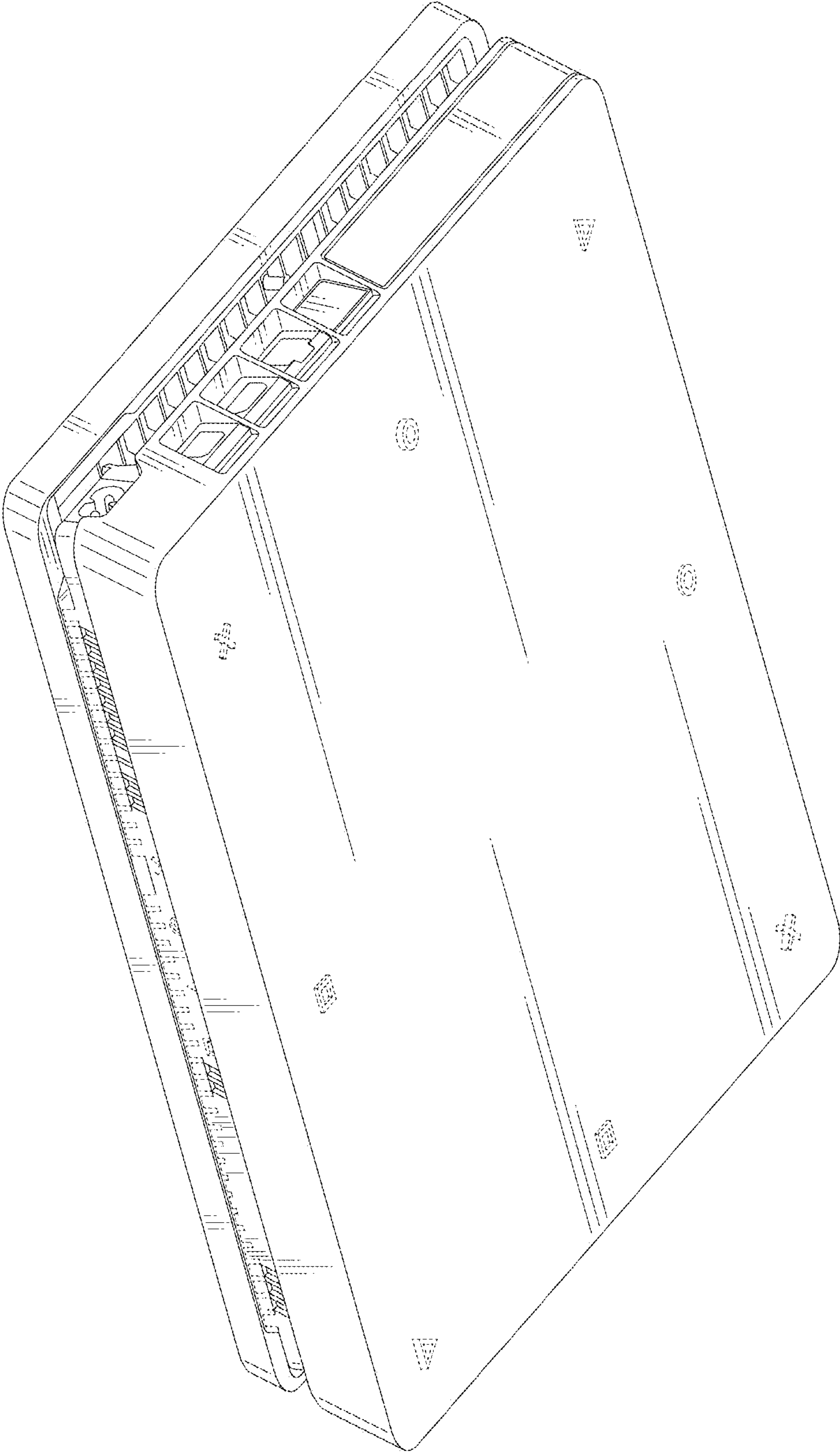


FIG. 2

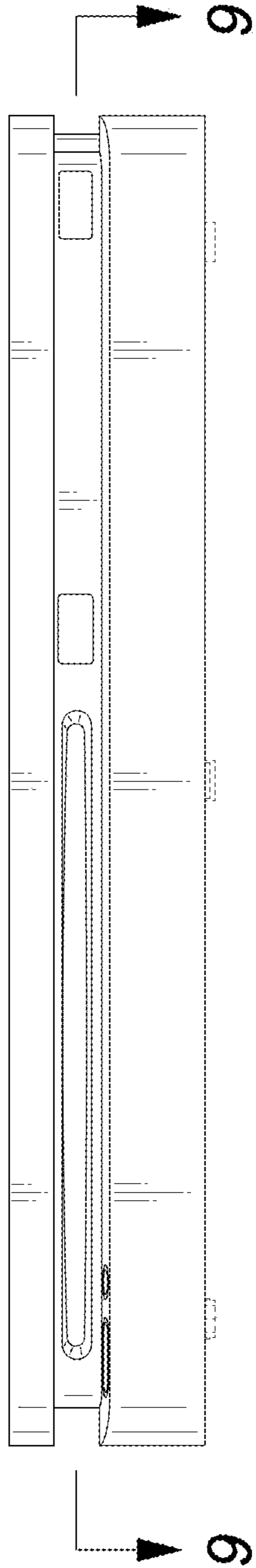


FIG. 3

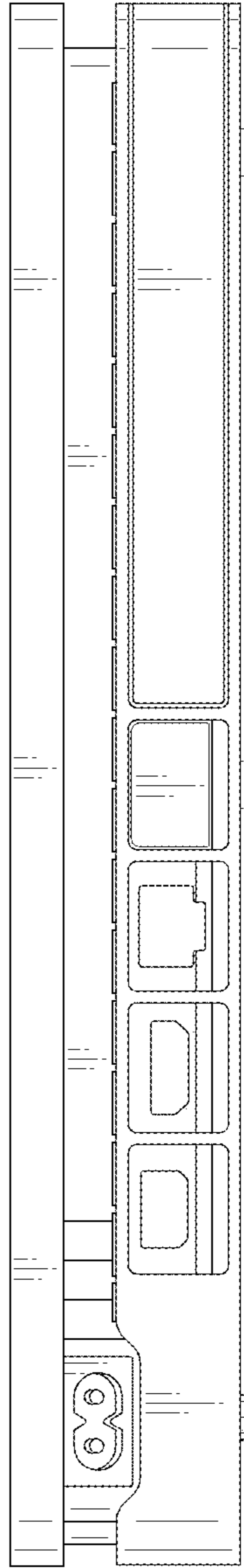


FIG. 4

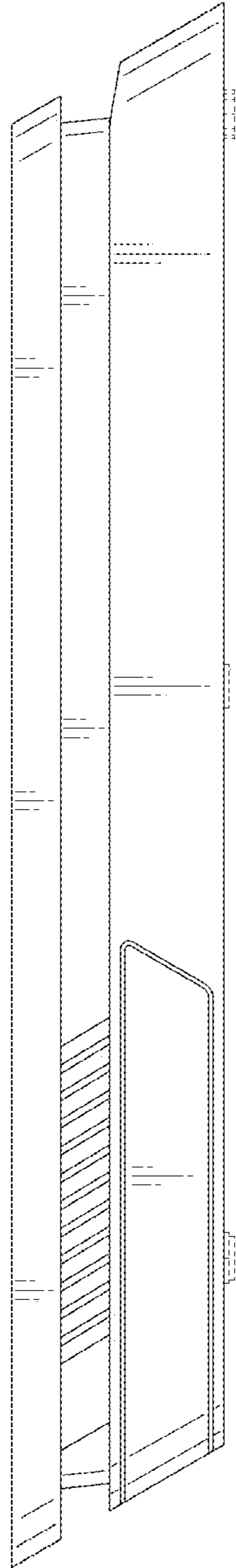


FIG. 5

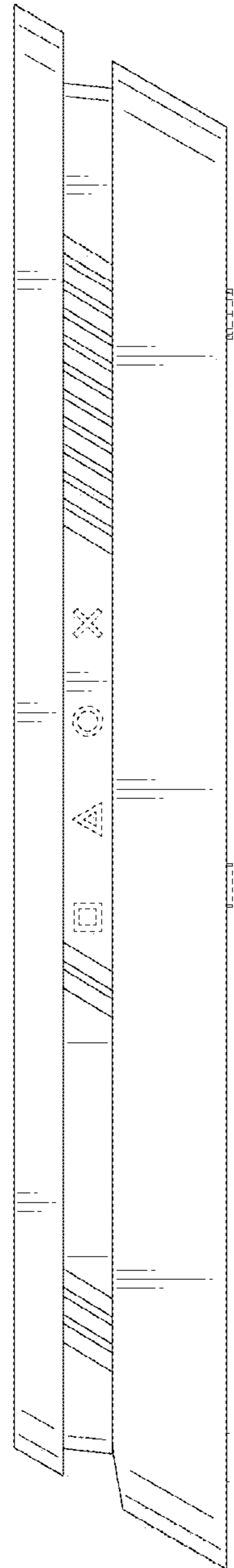


FIG. 6

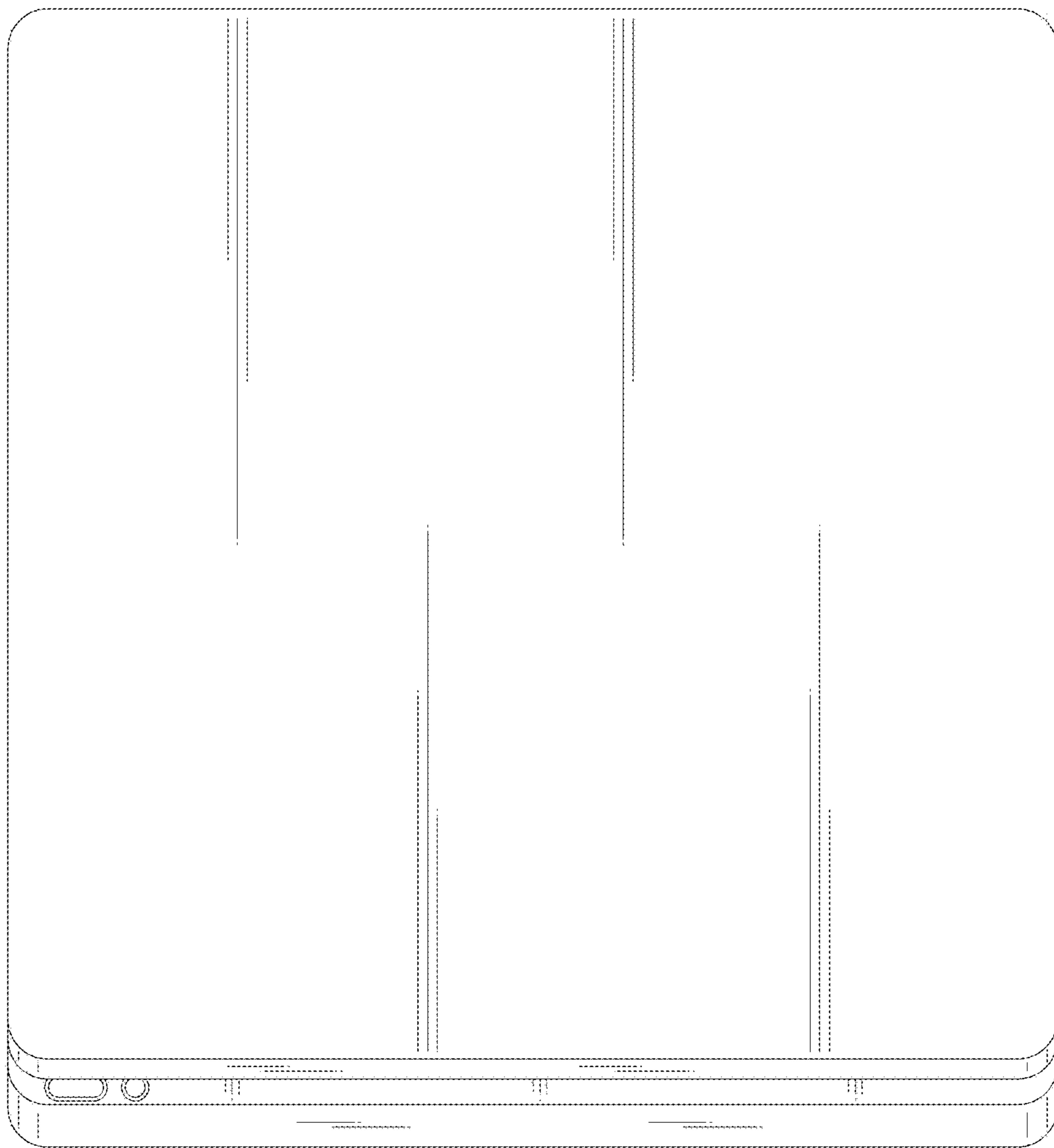


FIG. 7

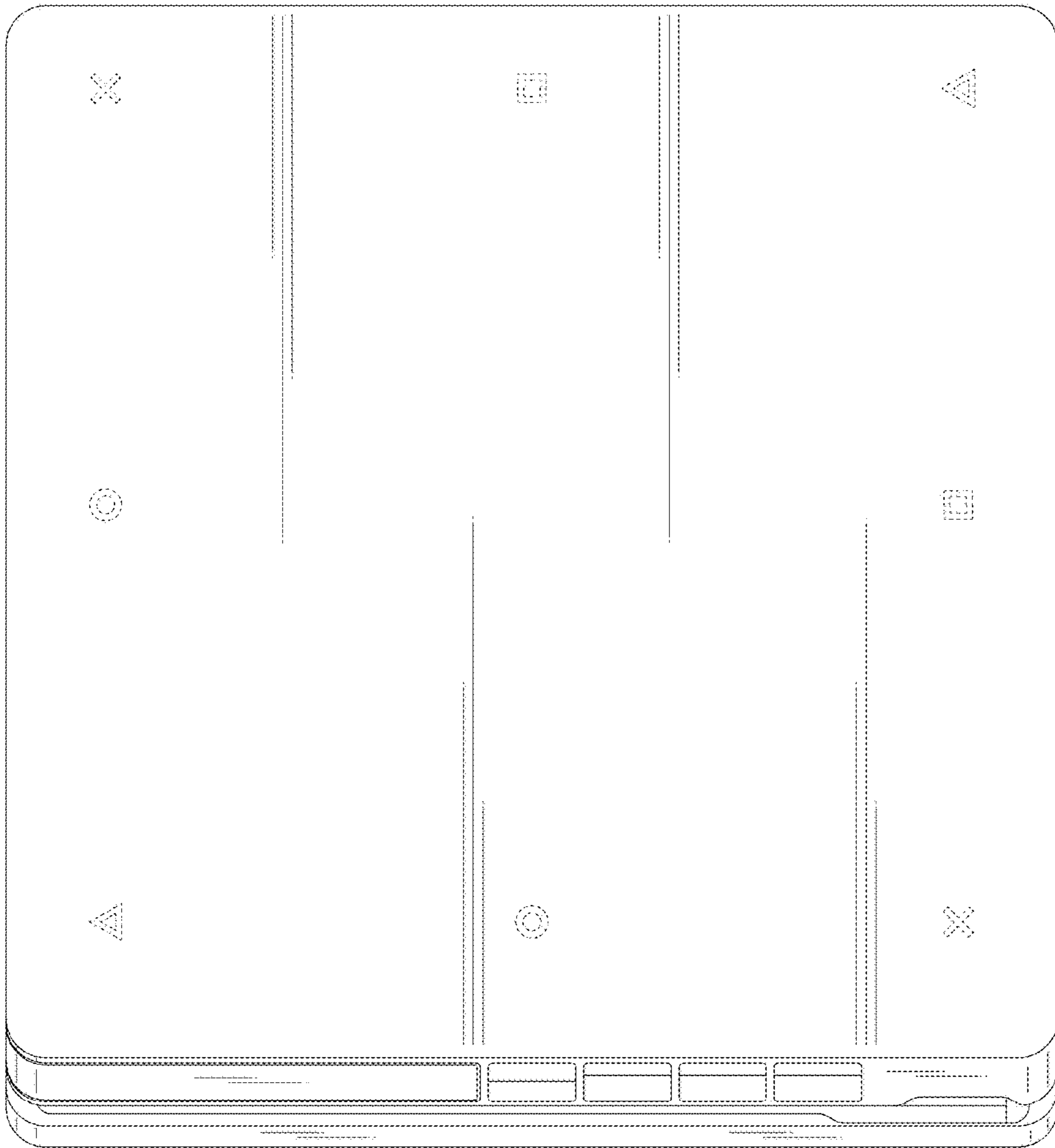


FIG. 8

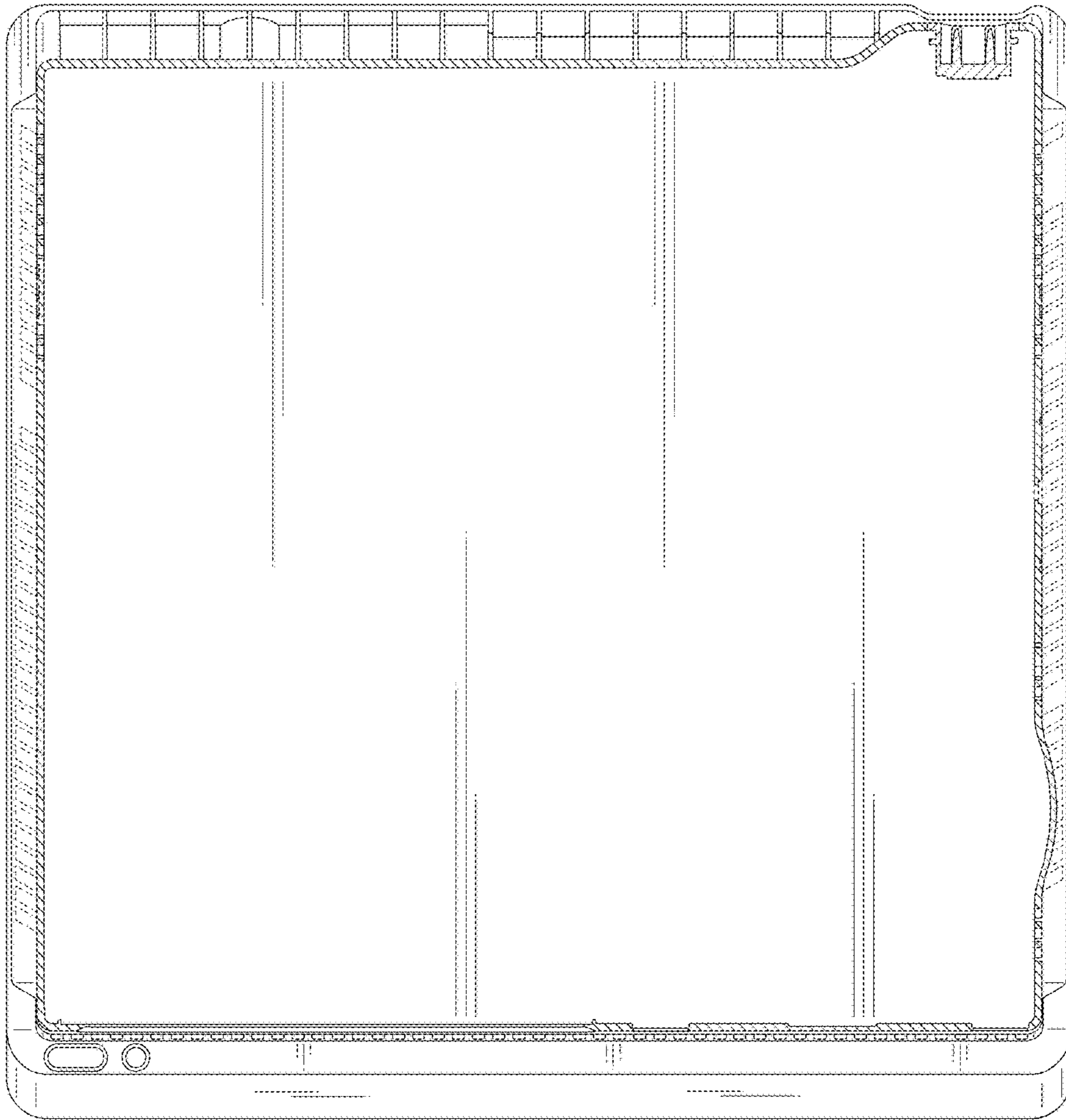


FIG. 9