



US00D811481S

(12) **United States Design Patent**  
**Hyma**

(10) **Patent No.:** **US D811,481 S**  
(45) **Date of Patent:** **\*\* Feb. 27, 2018**

- (54) **CAP FOR A WRITING UTENSIL**
- (71) Applicant: **MILWAUKEE ELECTRIC TOOL CORPORATION**, Brookfield, WI (US)
- (72) Inventor: **Steven W. Hyma**, Milwaukee, WI (US)
- (73) Assignee: **MILWAUKEE ELECTRIC TOOL CORPORATION**, Brookfield, WI (US)
- (\*\*) Term: **15 Years**
- (21) Appl. No.: **29/595,409**
- (22) Filed: **Feb. 28, 2017**

D151,665 S	11/1948	Teague et al.
2,513,516 A	7/1950	Randle
D223,688 S	5/1972	Schnur et al.
4,285,101 A	8/1981	Hanna
4,765,767 A	8/1988	Marynissen et al.
D325,221 S	4/1992	Ito
D330,565 S	10/1992	Dallaire
D357,699 S	4/1995	Takanashi
5,440,080 A	8/1995	Nagaoka et al.
5,747,748 A	5/1998	Zigler
5,877,459 A	3/1999	Prater
5,897,264 A	4/1999	Baudino
5,913,629 A	6/1999	Hazzard
5,914,708 A	6/1999	LaGrange et al.
6,050,735 A	4/2000	Hazzard
D442,226 S	5/2001	Briggl
D442,992 S	5/2001	Chevalier
6,227,743 B1	5/2001	Robb
6,275,193 B1	8/2001	Nilsen et al.
D448,407 S *	9/2001	Huang ..... D19/169

**Related U.S. Application Data**

- (62) Division of application No. 29/548,174, filed on Dec. 10, 2015.
- (51) **LOC (11) Cl.** ..... **19-06**
- (52) **U.S. Cl.**  
USPC ..... **D19/195; D19/933**
- (58) **Field of Classification Search**  
USPC ..... D14/411; D19/115-204  
CPC ... B43K 5/00; B43K 7/00; B43K 7/12; B43K 8/04; B43K 8/06; B43K 19/00; B43K 19/02; B43K 19/14; B43K 24/08  
See application file for complete search history.

**References Cited**

**U.S. PATENT DOCUMENTS**

385,448 A	7/1888	Disney
863,915 A	8/1907	Graves
948,802 A	2/1910	Valkenburg
986,890 A	3/1911	Archibald
RE13,596 E	1/1913	Valkenburg
1,223,360 A	4/1917	Berners
1,344,897 A	6/1920	Johnson
1,834,151 A	12/1931	Gordon
2,102,044 A	12/1937	Sypher

*Primary Examiner* — Elizabeth Albert  
(74) *Attorney, Agent, or Firm* — Michael Best & Friedrich LLP

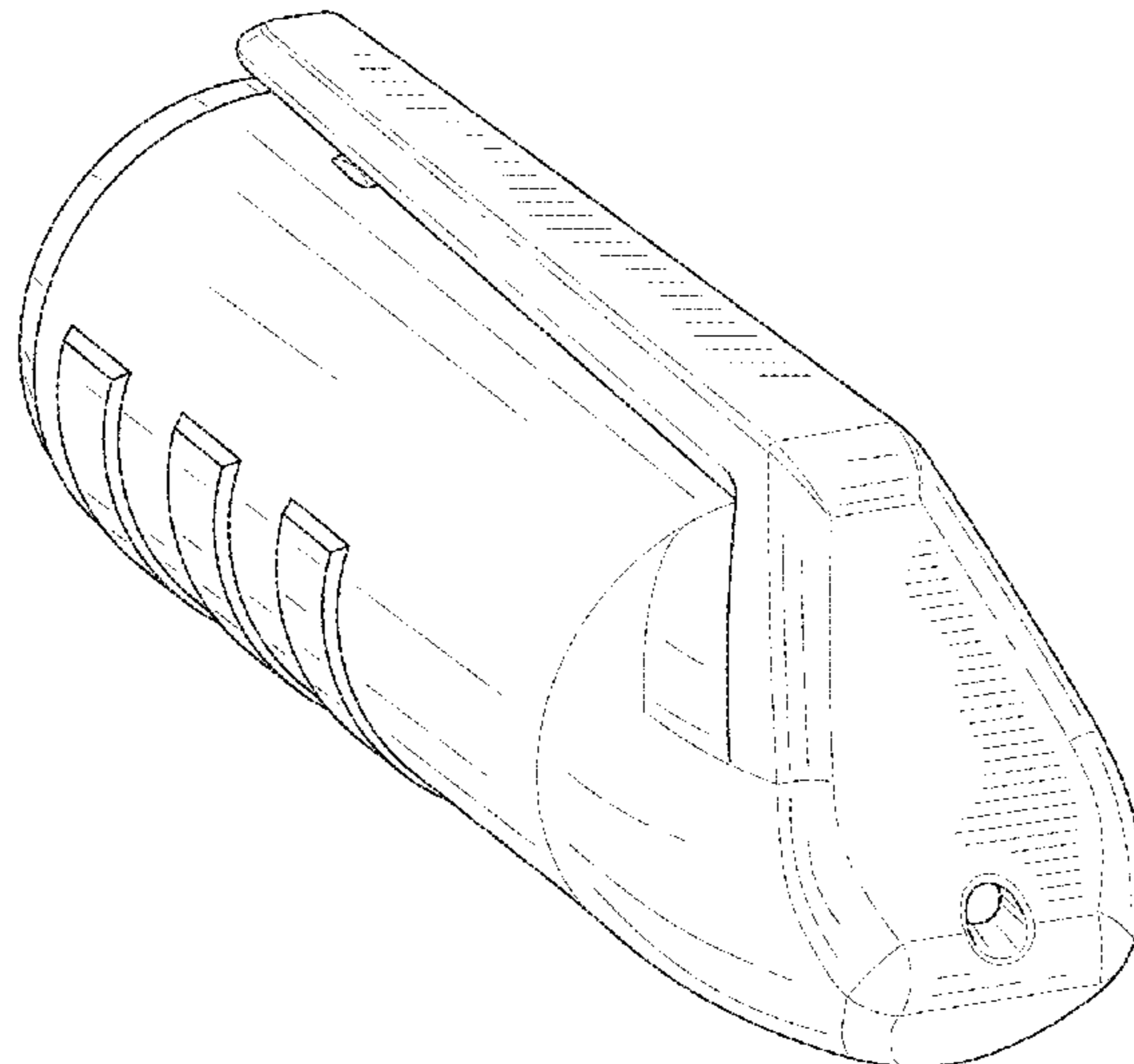
(57) **CLAIM**

I claim the ornamental design for a cap for a writing utensil, as shown and described.

**DESCRIPTION**

FIG. 1 is a front perspective view of a cap for a writing utensil.  
FIG. 2 is a front view of the cap shown in FIG. 1.  
FIG. 3 is a rear view of the cap shown in FIG. 1.  
FIG. 4 is a right side of the cap shown in FIG. 1.  
FIG. 5 is a left side view of the cap shown in FIG. 1.  
FIG. 6 is a top view of the cap shown in FIG. 1; and,  
FIG. 7 is a bottom view of the cap shown in FIG. 1.  
The broken lines in FIG. 3 are included to show a portion of the cap that forms no part of the claimed design.

**1 Claim, 6 Drawing Sheets**



(56)

References Cited

U.S. PATENT DOCUMENTS

D450,347 S	11/2001	Keda	D641,785 S	7/2011	Lira-Nunez et al.
6,361,232 B1	3/2002	Nagaoka et al.	D650,857 S	12/2011	Lira-Nunez et al.
6,384,814 B1	5/2002	Kobayashi et al.	D650,859 S	12/2011	Lira-Nunez et al.
6,406,205 B1	6/2002	Hu	8,125,469 B2	2/2012	Badeye et al.
6,412,998 B1	7/2002	Ham	D659,191 S	5/2012	Lira-Nunez et al.
6,450,721 B1	9/2002	D'Amico et al.	D659,758 S *	5/2012	Kim ..... D19/163
6,633,282 B1	10/2003	Monore	D673,216 S	12/2012	Yuan
6,659,673 B1	12/2003	Haffner et al.	D679,325 S	4/2013	Liang
D487,776 S	3/2004	Keda	D681,115 S *	4/2013	Lee ..... D19/168
6,702,500 B1	3/2004	Haffner et al.	D699,290 S *	2/2014	Jiang ..... D19/164
6,707,451 B1	3/2004	Nagaoka	D699,294 S *	2/2014	Jiang ..... D19/195
6,738,050 B2	5/2004	Comiskey et al.	9,403,399 B2 *	8/2016	Steele ..... B43K 29/00
6,749,354 B2	6/2004	Kageyama et al.	2003/0132923 A1	7/2003	Hu
D500,519 S	1/2005	Keda	2006/0165470 A1	7/2006	Gerules
6,999,067 B2	2/2006	Chao et al.	2006/0222449 A1	10/2006	Cetera
7,008,131 B2	3/2006	Kagevarna et al.	2006/0239761 A1	10/2006	Cetera
7,018,124 B1	3/2006	Kageyama et al.	2008/0030486 A1	2/2008	Cook
D523,083 S	6/2006	Furlong et al.	2008/0106521 A1	5/2008	Nave
7,172,359 B2	2/2007	Möck	2008/0252621 A1	10/2008	Shipton
D540,381 S	4/2007	Qiu	2008/0266267 A1	10/2008	Chang
D567,855 S	4/2008	Rolion et al.	2009/0078478 A1	3/2009	Newman
7,377,708 B2	5/2008	Hageman et al.	2009/0273588 A1	11/2009	King et al.
D572,306 S	7/2008	Qiu et al.	2010/0214251 A1	8/2010	Wu
7,416,359 B2	8/2008	Fred	2010/0225614 A1	9/2010	Sung
7,448,817 B2	11/2008	Lin	2012/0039662 A1	2/2012	Zhang et al.
7,607,849 B2	10/2009	Barker	2012/0044214 A1	2/2012	Mori
D604,363 S	11/2009	Sunich et al.	2012/0086664 A1	4/2012	Leto
D607,512 S	1/2010	Qiu et al.	2012/0139879 A1	6/2012	Kim et al.
7,683,895 B2	3/2010	Mika	2012/0146957 A1	6/2012	Dunagan
D641,782 S	7/2011	Lira-Nunez et al.	2012/0146960 A1	6/2012	Shih et al.
			2012/0194484 A1	8/2012	Lehman
			2013/0330115 A1	12/2013	Steele et al.

\* cited by examiner

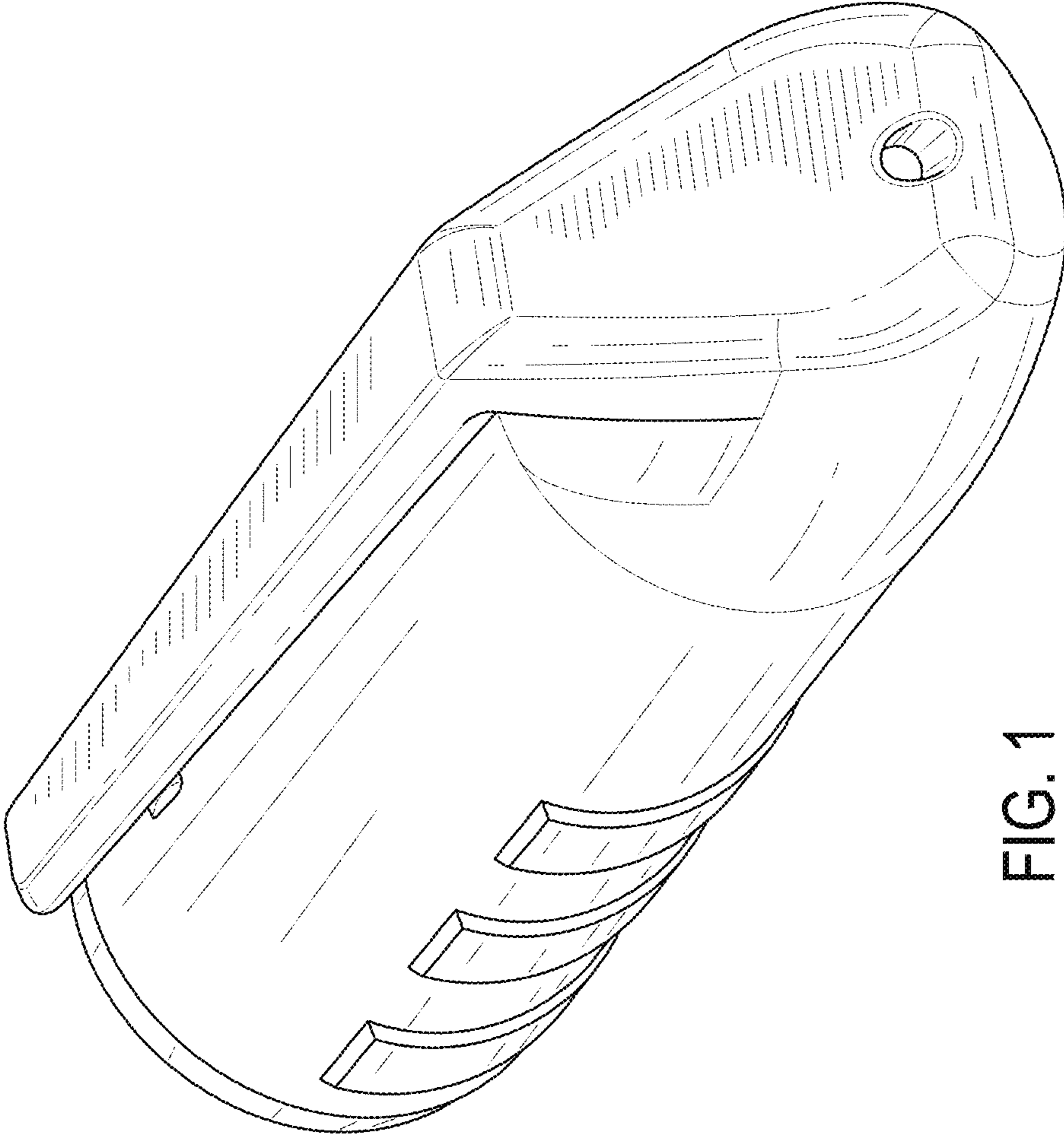


FIG. 1

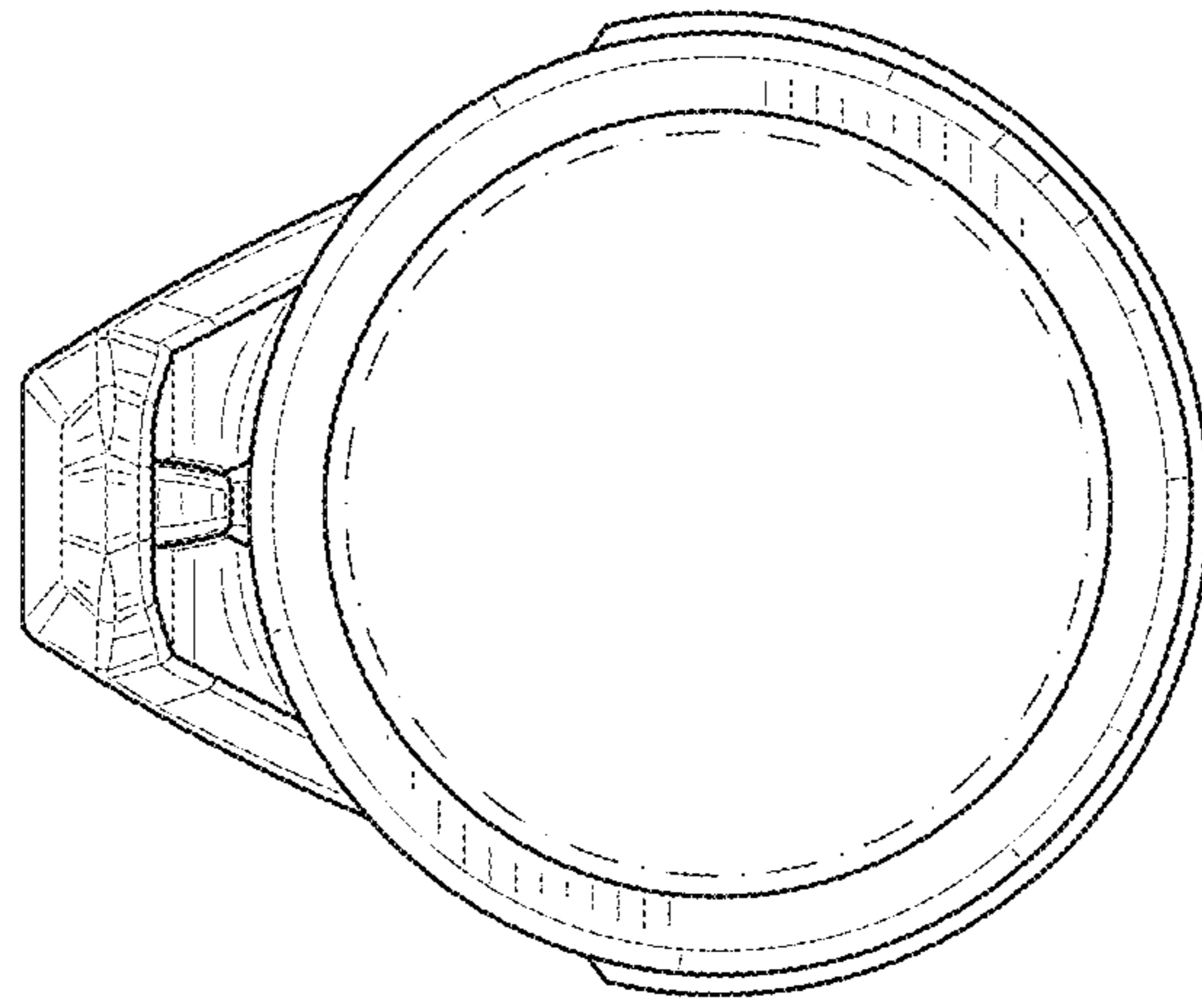


FIG. 3

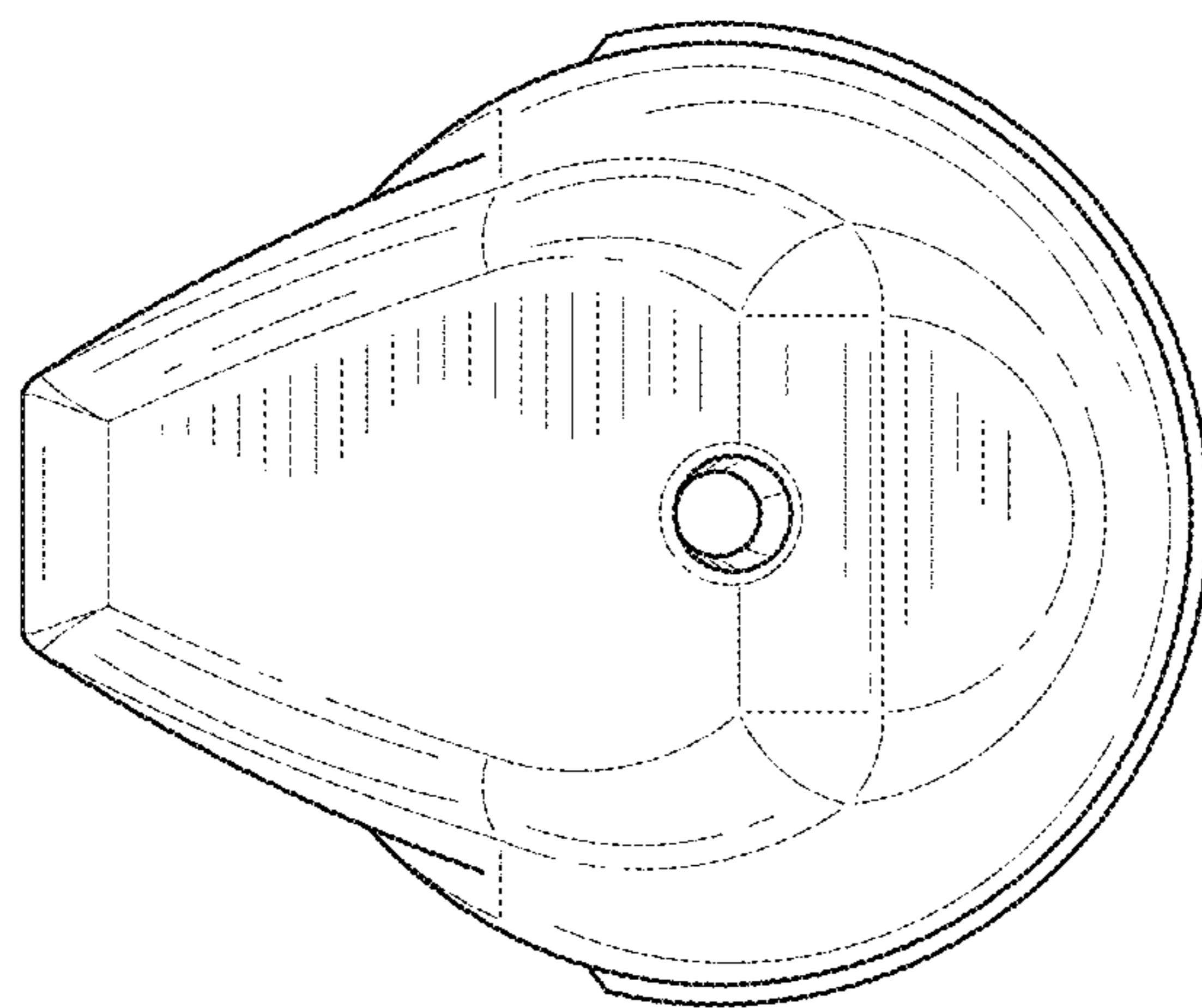


FIG. 2

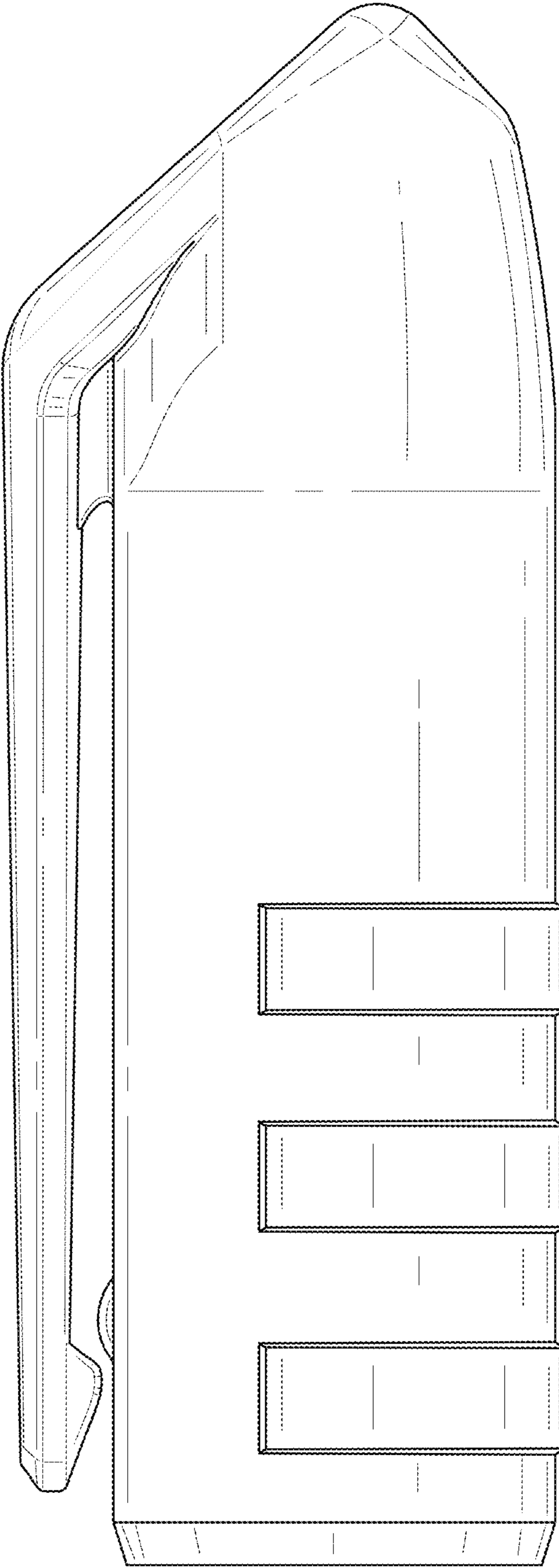


FIG. 4

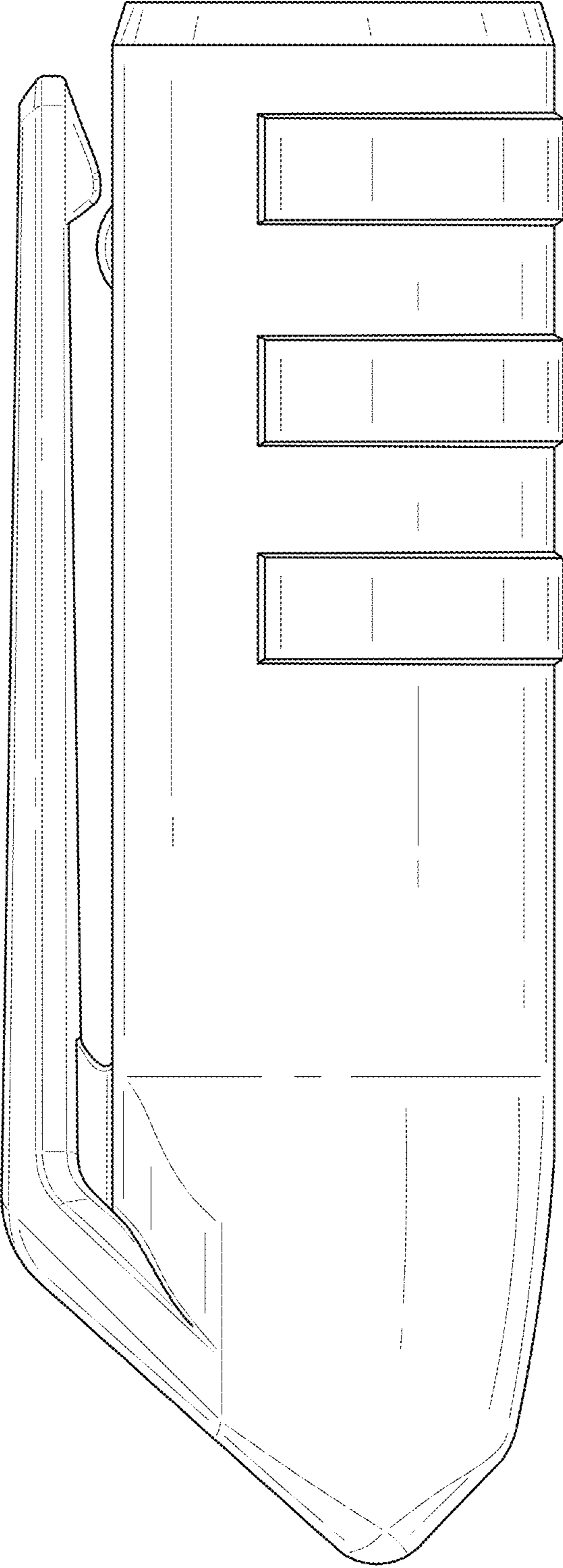


FIG. 5

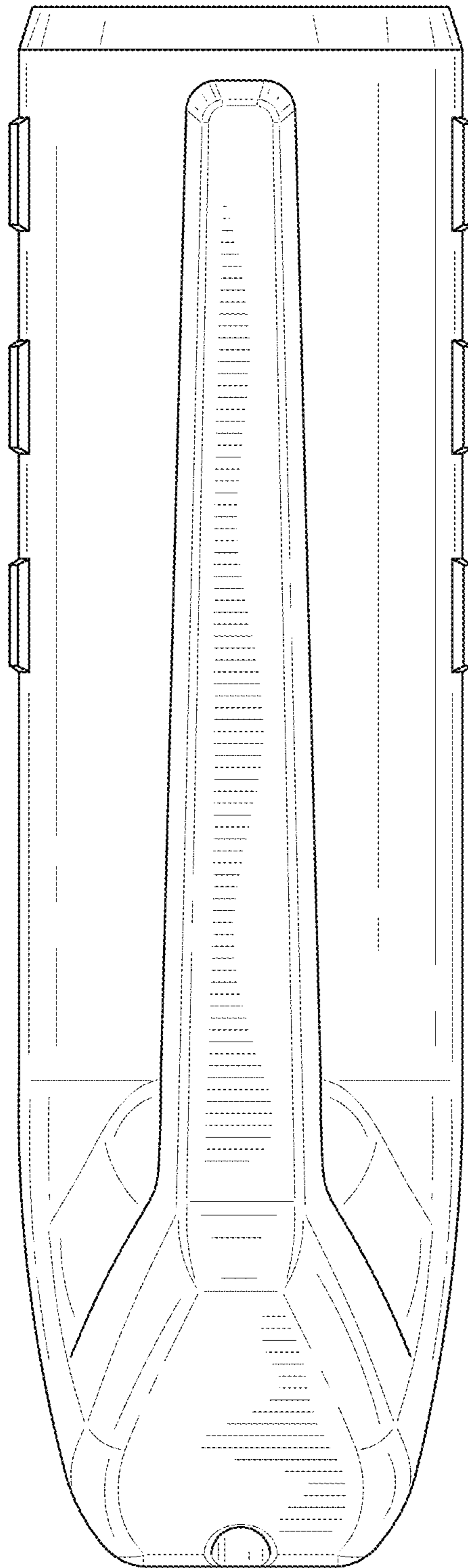


FIG. 6

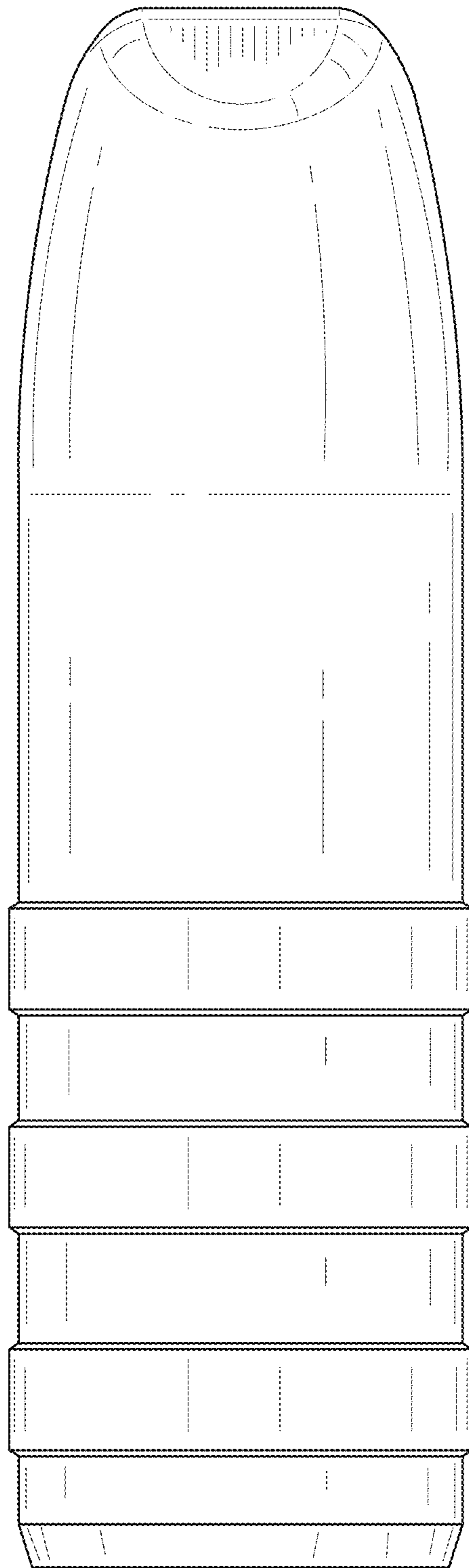


FIG. 7