



US00D811478S

(12) **United States Design Patent** (10) **Patent No.:** **US D811,478 S**
Costas (45) **Date of Patent:** **** Feb. 27, 2018**

(54) **NOTE HOLDER**

FOREIGN PATENT DOCUMENTS

(71) Applicant: **Trophius Pty Ltd.**, Mascot, New South Wales (AU)

AU 346443 1/2013
AU 346543 1/2013

(72) Inventor: **Eric Costas**, Mascot (AU)

OTHER PUBLICATIONS

(73) Assignee: **Trophius Pty Ltd.**, Cremorne (AU)

<http://www.officedepot.com/a/products/352108/Office-Depot-Brand-4-Piece-Stainless/>, Office Depot Brand 4 Piece Stainless Steel Magnet Hook Set Assorted Shapes, 1 color sheet, date unknown, but prior to the filing of this application.

(**) Term: **15 Years**

(21) Appl. No.: **29/560,212**

Primary Examiner — Elizabeth Albert

(22) Filed: **Apr. 4, 2016**

(74) *Attorney, Agent, or Firm* — Banner & Witcoff, Ltd.

(57) **CLAIM**

Related U.S. Application Data

The ornamental design for a note holder, as shown and described.

(62) Division of application No. 29/511,316, filed on Dec. 9, 2014, now Pat. No. Des. 753,222, and a division of application No. 29/484,107, filed on Mar. 6, 2014, now Pat. No. Des. 719,218.

DESCRIPTION

(51) **LOC (11) Cl.** **19-02**

FIG. 1 is a perspective view of a note holder showing my new design;

(52) **U.S. Cl.**
USPC **D19/86**

FIG. 2 is a front view thereof;

(58) **Field of Classification Search**

FIG. 3 is a top view thereof;

USPC D19/75, 77, 85, 86, 87, 88, 89, 90, 91,
D19/92; D8/349, 354, 394, 395

FIG. 4 is a bottom view thereof;

CPC B42F 9/001; B42F 9/002; B42F 9/004;
B43L 3/005; B43L 5/02; B42D 5/005;
B42D 5/006; B42D 5/007; B42D 5/008

FIG. 5 is a right side view thereof;

See application file for complete search history.

FIG. 6 is a left side view thereof;

FIG. 7 is a perspective view of a second embodiment of a note holder showing my new design;

(56) **References Cited**

U.S. PATENT DOCUMENTS

D26,461 S 12/1896 Sassenhoff
719,218 A 1/1903 Hiering
753,222 A 3/1904 Beal
755,892 A 3/1904 Leavenworth
776,759 A 12/1904 Risse
777,840 A 12/1904 Chaplin
819,504 A 5/1906 Benedict

FIG. 8 is a front view thereof;

FIG. 9 is a top view thereof;

FIG. 10 is a bottom view thereof;

FIG. 11 is a right side view thereof;

FIG. 12 is a left side view thereof;

FIG. 13 is a perspective view of a third embodiment of a note holder showing my new design;

FIG. 14 is a front view thereof;

FIG. 15 is a top view thereof;

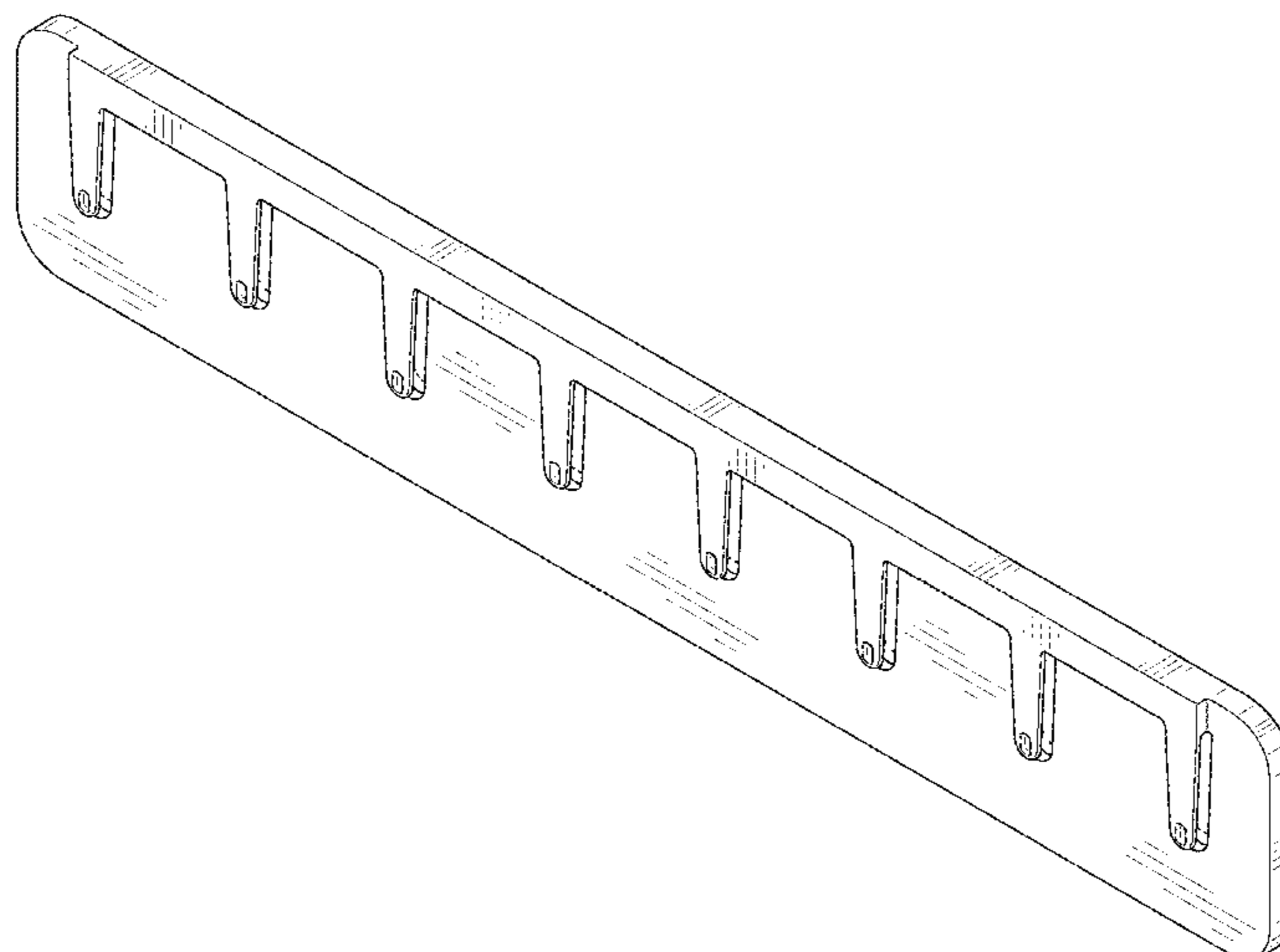
FIG. 16 is a bottom view thereof;

FIG. 17 is a right side view thereof; and,

FIG. 18 is a left side view thereof.

(Continued)

1 Claim, 6 Drawing Sheets



(56)

References Cited

U.S. PATENT DOCUMENTS

1,618,384 A	2/1927	Morris	5,339,967 A	8/1994	Valiulis	
1,730,241 A	10/1929	Porter	5,369,899 A	12/1994	Reeves	
1,973,989 A	9/1934	Lukacs	5,714,215 A	2/1998	Sheffield et al.	
2,163,451 A *	6/1939	Sabel	5,823,647 A *	10/1998	Miyoshi	B65H 1/266 271/162
		G03B 27/6214				
		24/DIG. 8				
2,183,276 A *	12/1939	Callin	5,975,478 A	11/1999	Marino	
		B41J 29/15	D443,655 S	6/2001	Chaikel et al.	
		24/549	D445,457 S	7/2001	Brumby	
D118,748 S	1/1940	Sprague	D451,134 S	11/2001	Fonfeder	
D152,497 S	1/1949	Price et al.	6,671,986 B2	1/2004	Reeves	
2,468,355 A	4/1949	Ambler	7,100,884 B2	9/2006	Lorber	
D159,576 S	8/1950	Bamford	D631,737 S	2/2011	Haas	
2,779,114 A	1/1957	Orthwine	D645,515 S	9/2011	Williams, Sr.	
2,779,650 A	1/1957	Lamothe	8,510,916 B2	8/2013	Kinvi	
3,329,277 A *	7/1967	Gaudino	D715,859 S	10/2014	Costas	
		B60R 7/08	D715,860 S	10/2014	Costas	
		206/0.84	D715,861 S	10/2014	Costas	
D218,874 S	9/1970	Whittaker	D716,377 S	10/2014	Costas	
3,604,727 A	9/1971	Wilkin	D719,217 S	12/2014	Costas	
D243,715 S	3/1977	Trimnell	D755,892 S *	5/2016	Costas	D19/86
4,236,331 A	12/1980	Mattson	D776,759 S *	1/2017	Costas	D19/86
4,528,800 A	7/1985	Bums	D777,840 S *	1/2017	Kott	D20/43
D303,402 S	9/1989	Brown	2009/0033648 A1	2/2009	Podd et al.	
D316,275 S	4/1991	Davis et al.	2013/0200228 A1	8/2013	Costas	
D318,625 S	7/1991	Stowell	2015/0352889 A1 *	12/2015	Quinones	F16M 13/02 248/467
5,214,825 A	6/1993	Hirzel				

* cited by examiner

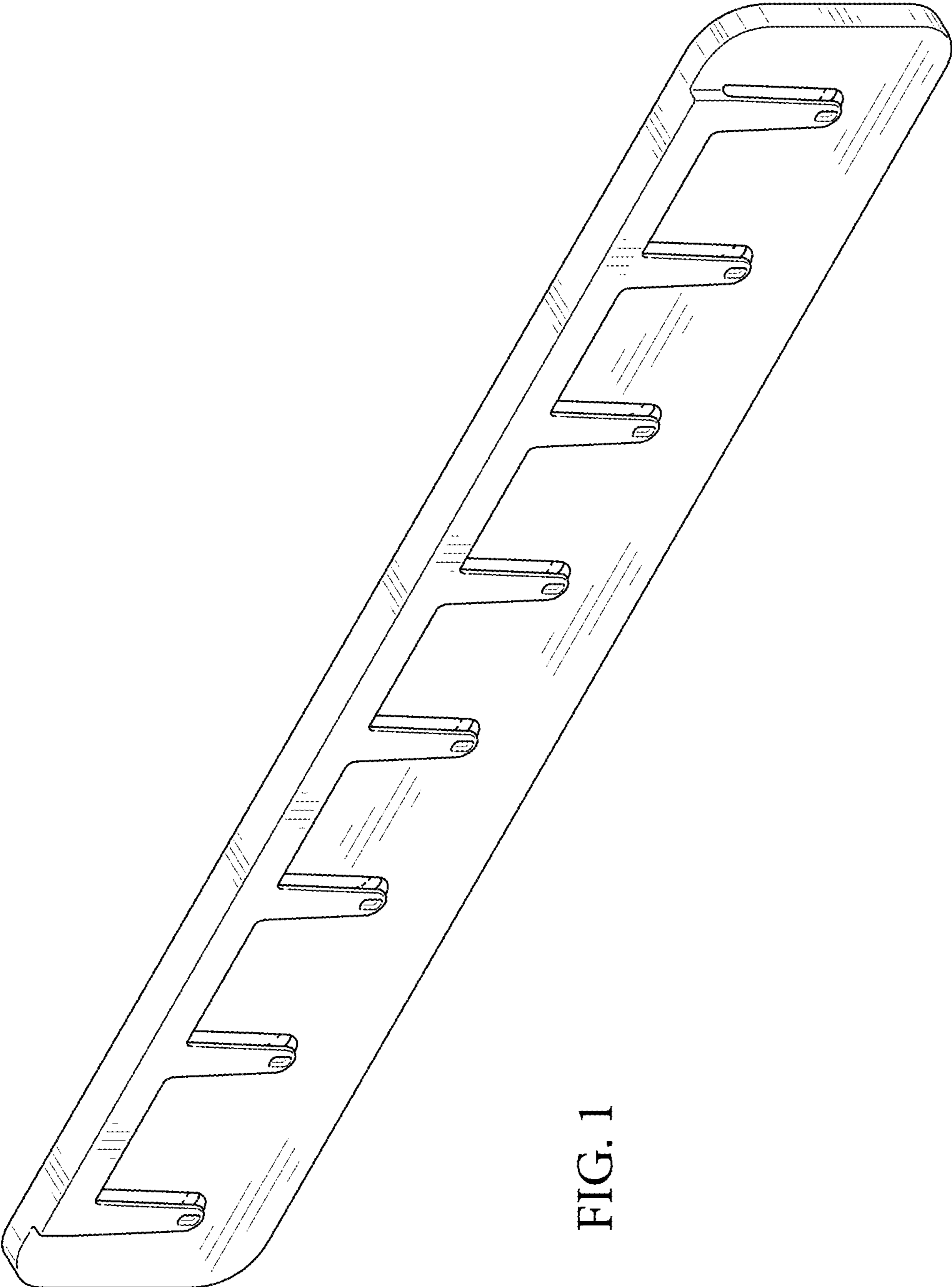


FIG. 1

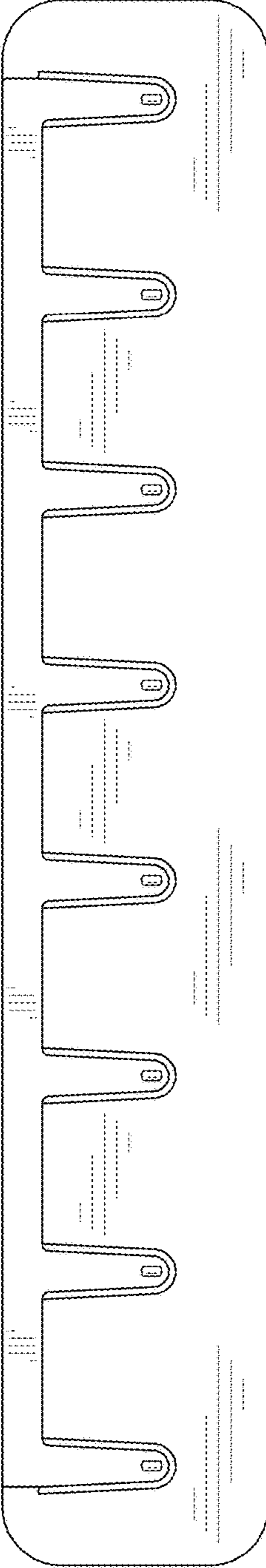


FIG. 2



FIG. 3



FIG. 4

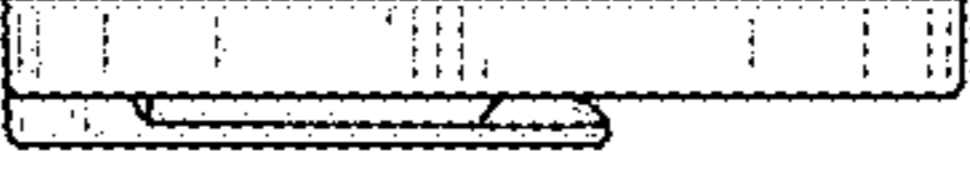


FIG. 5

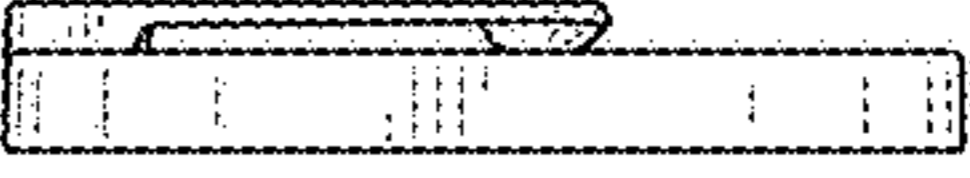


FIG. 6

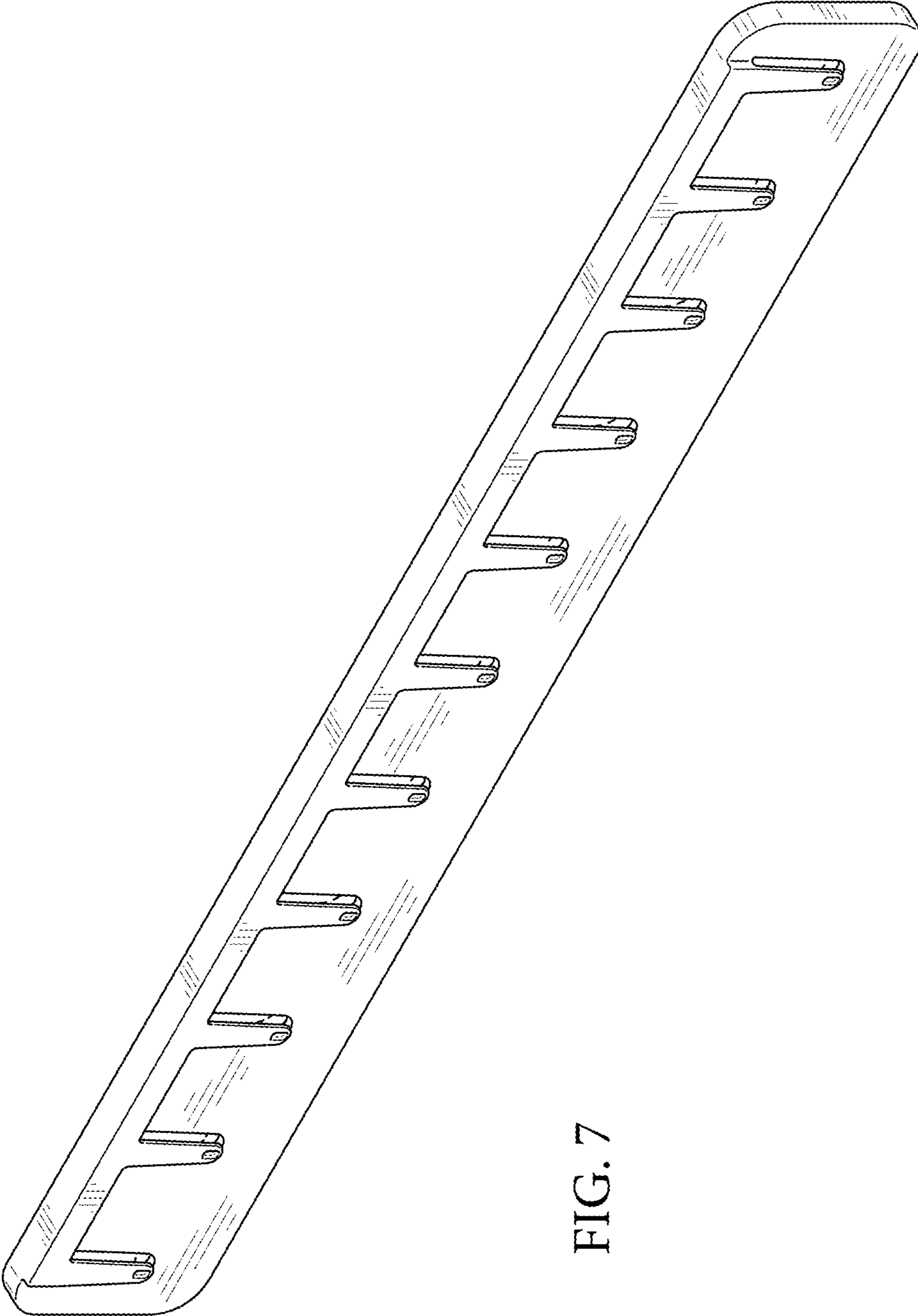


FIG. 7

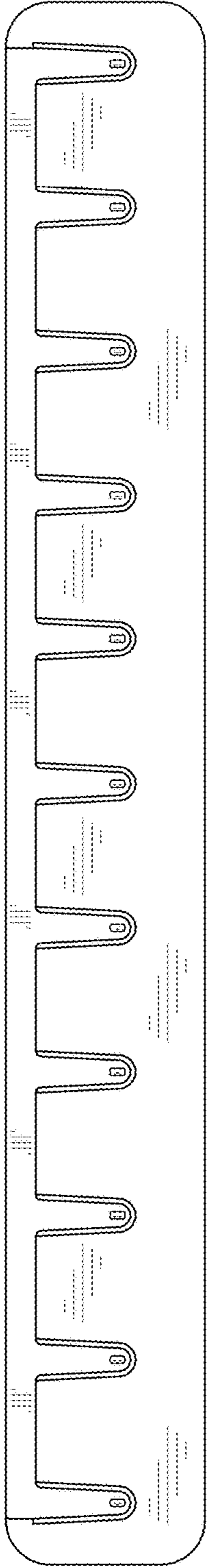


FIG. 8

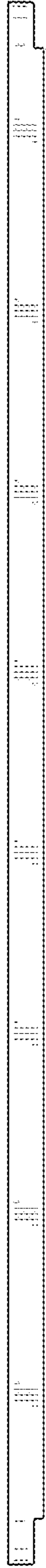


FIG. 9

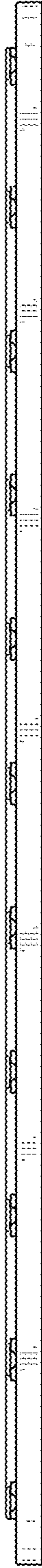


FIG. 10

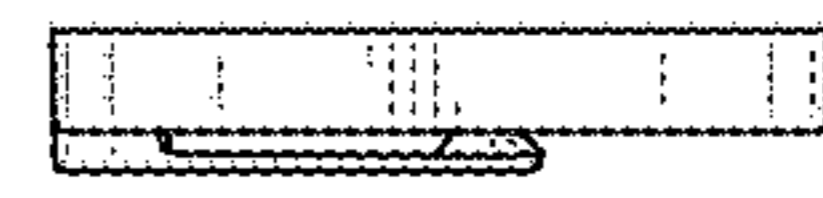


FIG. 11

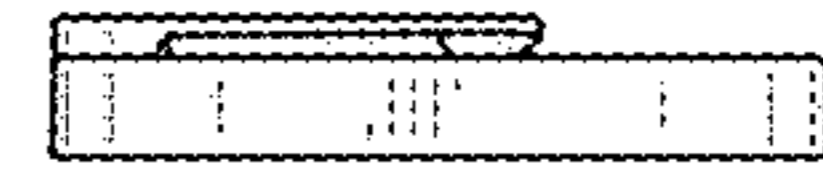


FIG. 12

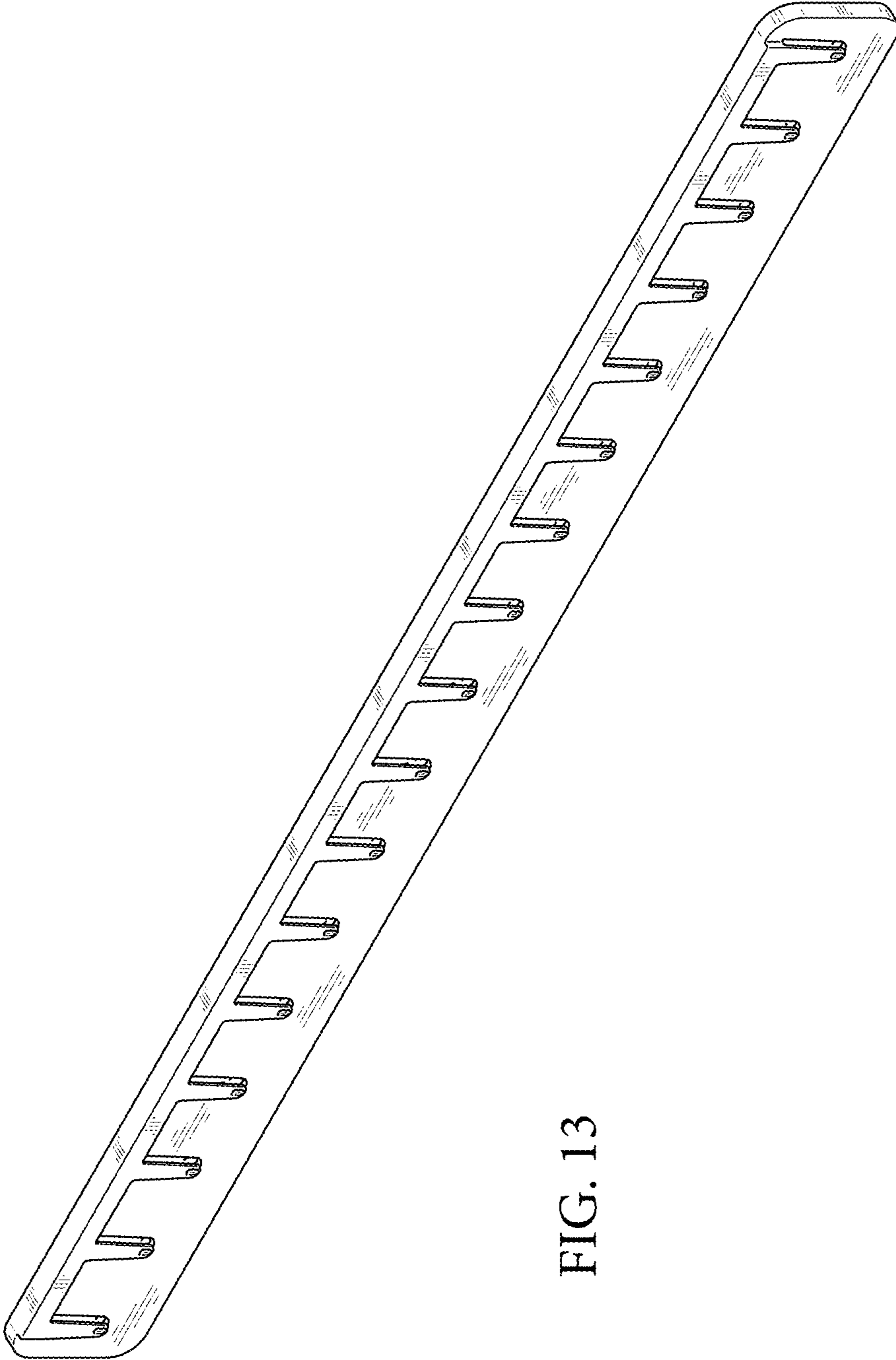


FIG. 13

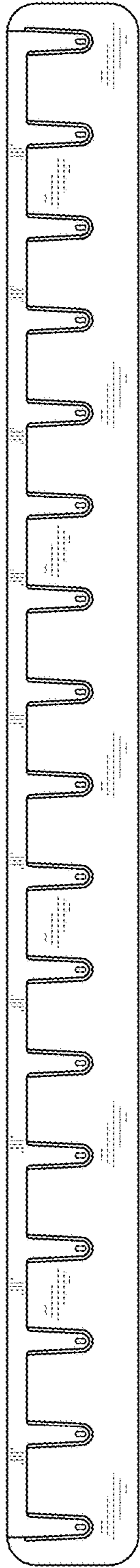


FIG. 14



FIG. 15

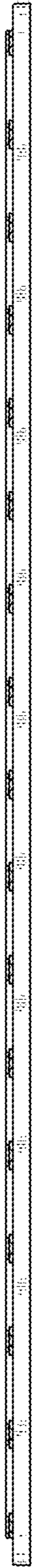


FIG. 16

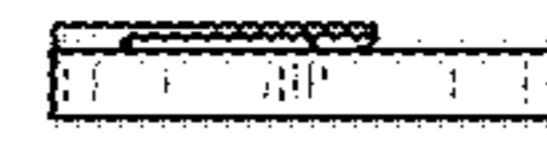


FIG. 17

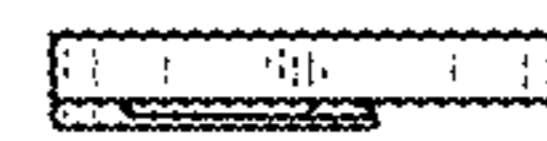


FIG. 18