



US00D811474S

(12) **United States Design Patent**
Kim et al.

(10) **Patent No.:** **US D811,474 S**

(45) **Date of Patent:** **** Feb. 27, 2018**

- (54) **MULTI-FUNCTION PRINTER**
- (71) Applicant: **S-Printing Solution Co., Ltd.**,
Suwon-si, Gyeonggi-do (KR)
- (72) Inventors: **Hakyung Kim**, Seoul (KR);
Kyong-Hwan Kim, Seoul (KR);
Minchul Kim, Seoul (KR); **Seungwook Jeong**, Seoul (KR); **Jong-Kyu Kim**,
Gyeonggi-do (KR); **Norio Okada**,
Yokohama (JP)
- (73) Assignee: **S-PRINTING SOLUTION CO., LTD.**,
Suwon-si (KR)

- D686,277 S * 7/2013 Gilbert D18/55
- D688,742 S * 8/2013 Kim D18/55
- D697,966 S * 1/2014 Fukasawa D18/55
- D702,760 S * 4/2014 Kim D18/55
- D726,250 S * 4/2015 Kim D18/55
- D727,409 S * 4/2015 Saito D18/36
- D727,417 S * 4/2015 Huang D18/55

(Continued)

Primary Examiner — Robin V Webster
Assistant Examiner — James C Thorn, Sr.
(74) *Attorney, Agent, or Firm* — Cantor Colburn LLP

(**) Term: **15 Years**

(21) Appl. No.: **29/571,373**

(22) Filed: **Jul. 18, 2016**

(30) **Foreign Application Priority Data**
Feb. 5, 2016 (KR) 30-2016-0005844

(51) **LOC (11) Cl.** **18-02**

(52) **U.S. Cl.**
USPC **D18/55; D18/50**

(58) **Field of Classification Search**
None
See application file for complete search history.

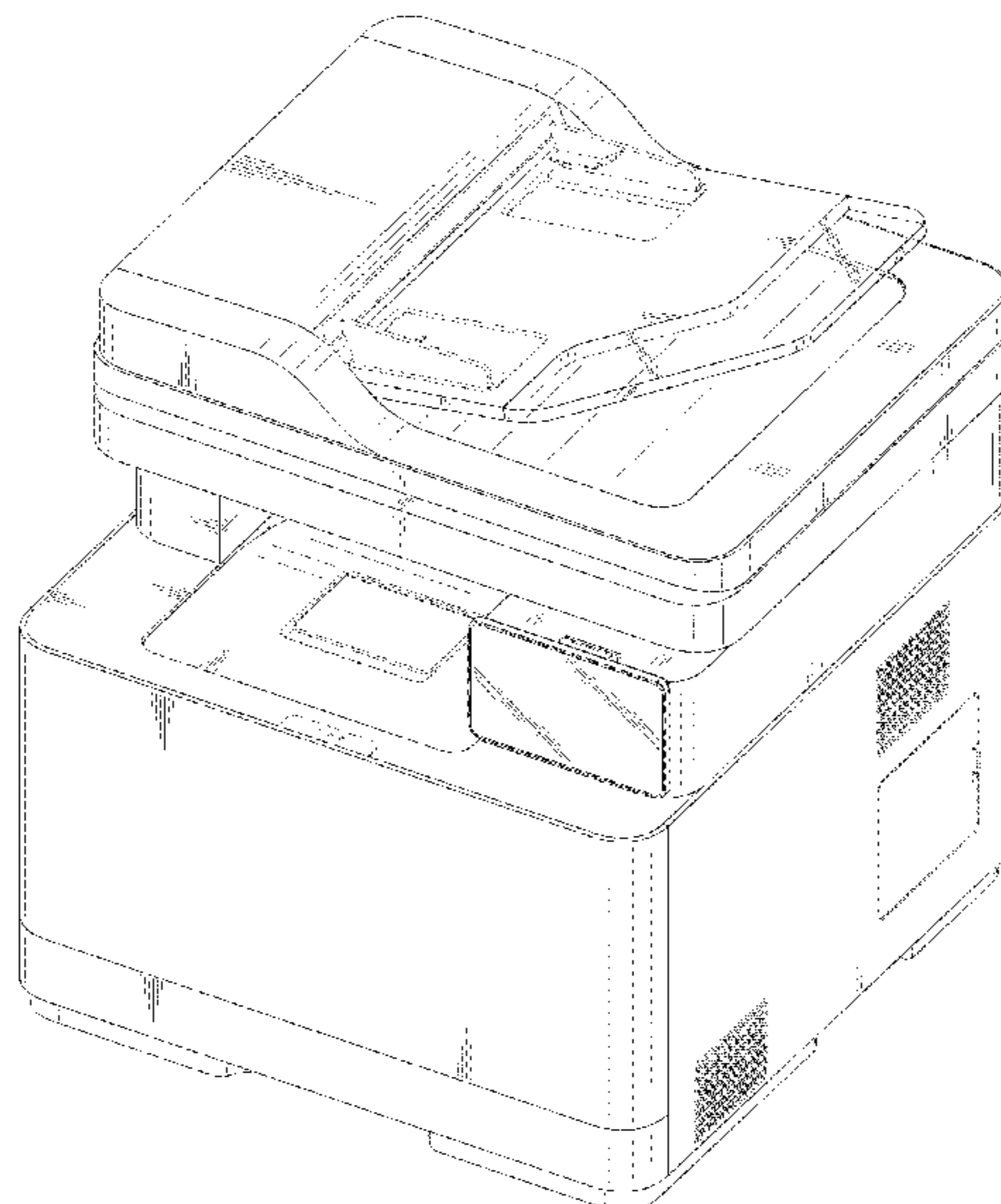
- (56) **References Cited**
U.S. PATENT DOCUMENTS
- D446,806 S * 8/2001 Imai D18/36
- D532,449 S * 11/2006 Tjin Wong Joe D18/55
- D534,578 S * 1/2007 Katayama D18/36
- D567,848 S * 4/2008 Kawamura D18/39
- D575,330 S * 8/2008 Egami D18/55
- D616,927 S * 6/2010 Suzuki D18/55
- D639,851 S * 6/2011 Penke D18/55
- D667,488 S * 9/2012 Inoue D18/55

(57) **CLAIM**
We claim the ornamental design for a multi-function printer, as shown and described.

DESCRIPTION

FIG. 1 is the front perspective view of a multi-function printer showing our new design; FIG. 2 is the front view thereof; FIG. 3 is the rear view thereof; FIG. 4 is the left-side view thereof; FIG. 5 is the right-side view thereof; FIG. 6 is the top view thereof; FIG. 7 is the bottom view thereof; FIG. 8 is the rear perspective view thereof; FIG. 9 is the bottom perspective view thereof; FIG. 10 is the cross-sectional view taken through lines 10-10 of FIG. 2; and, FIG. 11 is the cross-sectional view taken through lines 11-11 of FIG. 5. The broken lines illustrating portion of the multi-function printer depict environmental subject matter and form no part of claimed design. The dot dash lines in the figures represent an unclaimed boundary line and form no part of the claimed design. The dot-dot-dash broken lines are to indicate an enlarged view only, and form no part of the claimed design.

1 Claim, 10 Drawing Sheets



(56)

References Cited

U.S. PATENT DOCUMENTS

D742,960	S	*	11/2015	Lee	D18/50
D752,135	S	*	3/2016	Uchikawa	D18/39
D755,284	S	*	5/2016	Terenzio	D18/50
D758,485	S	*	6/2016	Nakagawa	D18/55
D765,080	S	*	8/2016	Su	D14/421
D769,965	S	*	10/2016	Clark, III	D18/55
D780,839	S	*	3/2017	Kim	D18/55
D780,840	S	*	3/2017	Kim	D18/55
D780,841	S	*	3/2017	Kim	D18/55
D782,568	S	*	3/2017	Nishimura	D18/55
D786,965	S	*	5/2017	Huang	D18/55
D791,867	S	*	7/2017	Nakagawa	D18/50
2017/0217222	A1	*	8/2017	Sugiyama	B41J 11/58
2017/0217699	A1	*	8/2017	Washino	B65H 1/30

* cited by examiner

FIG. 1

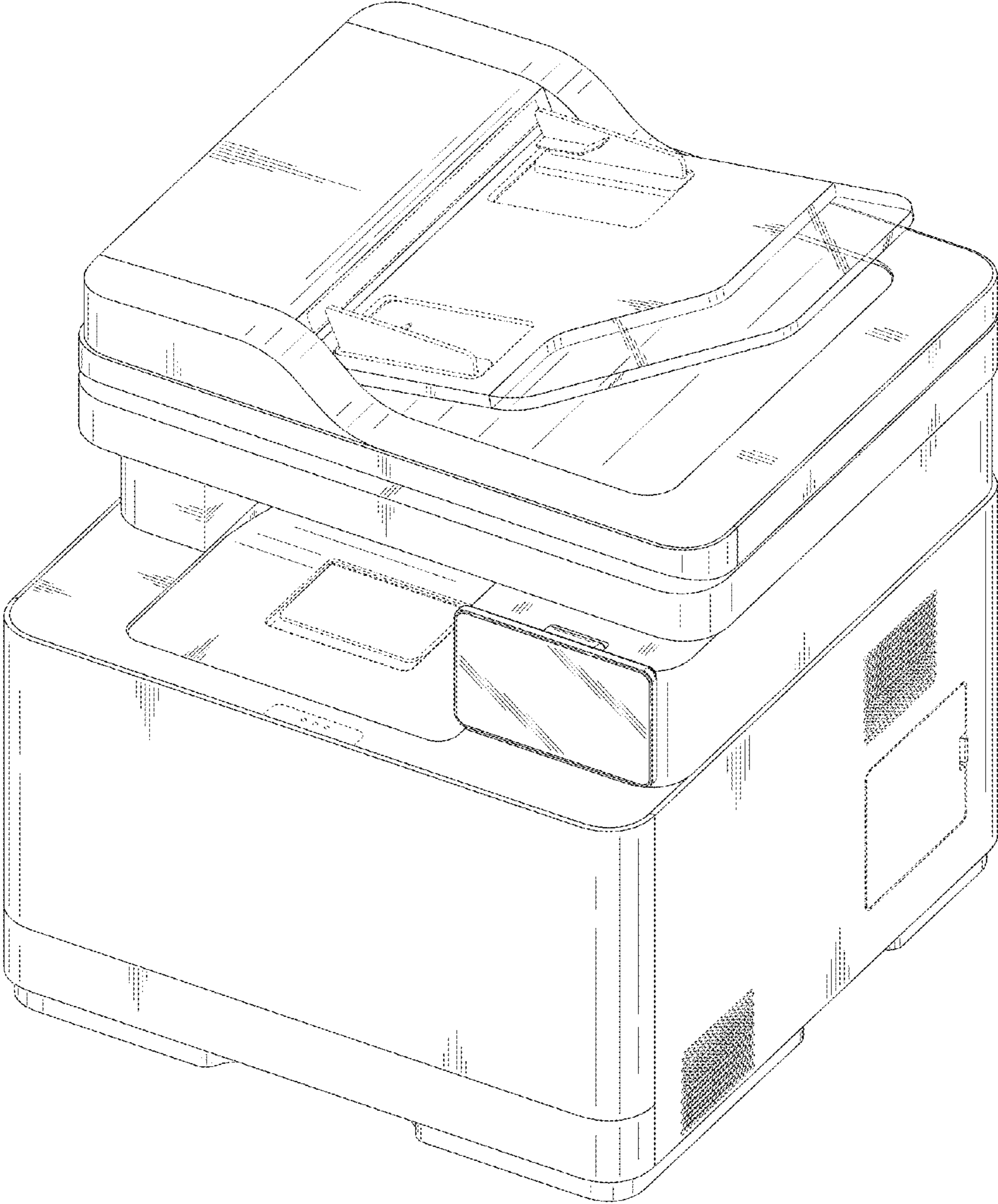


FIG. 2

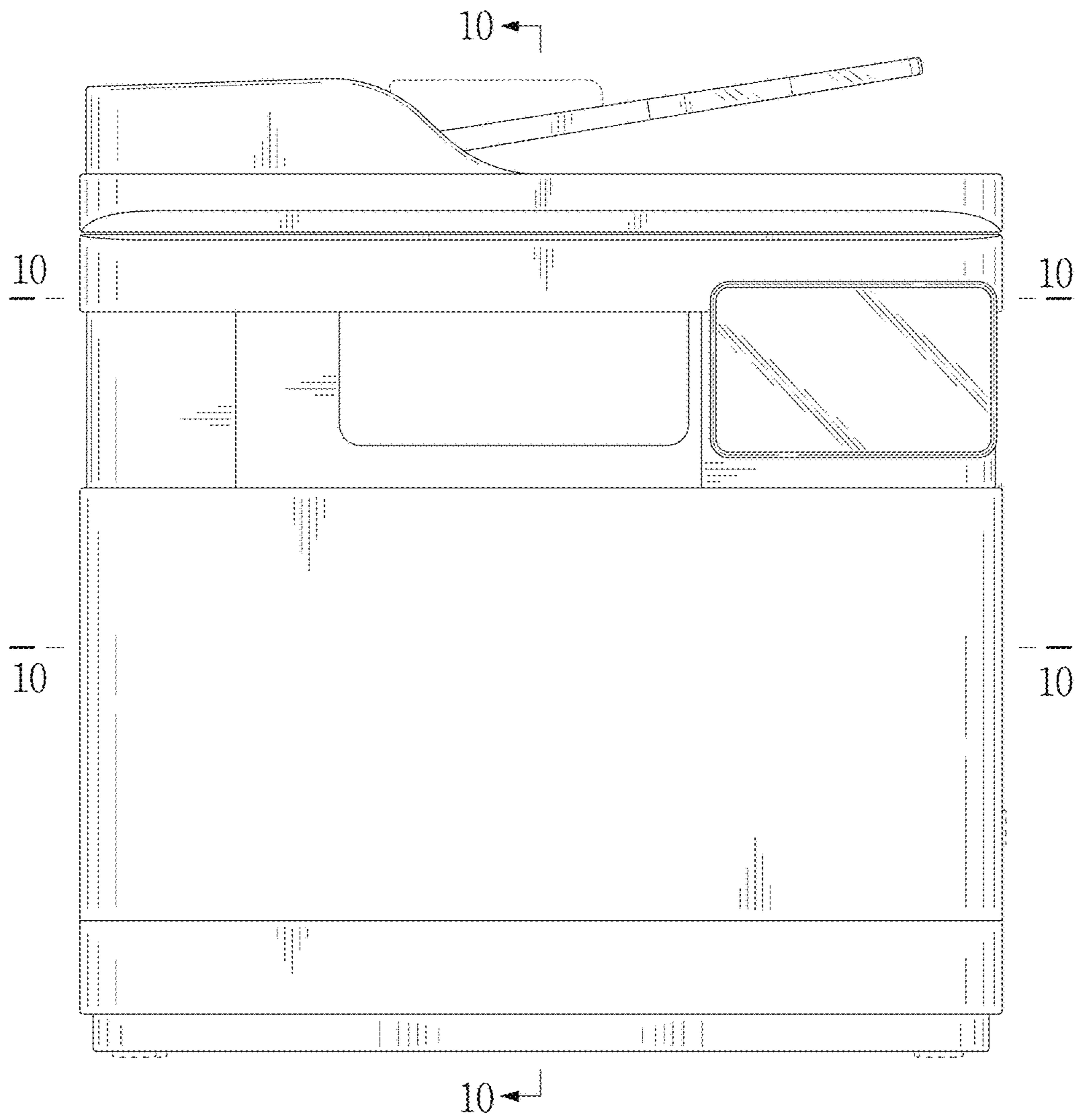


FIG. 3

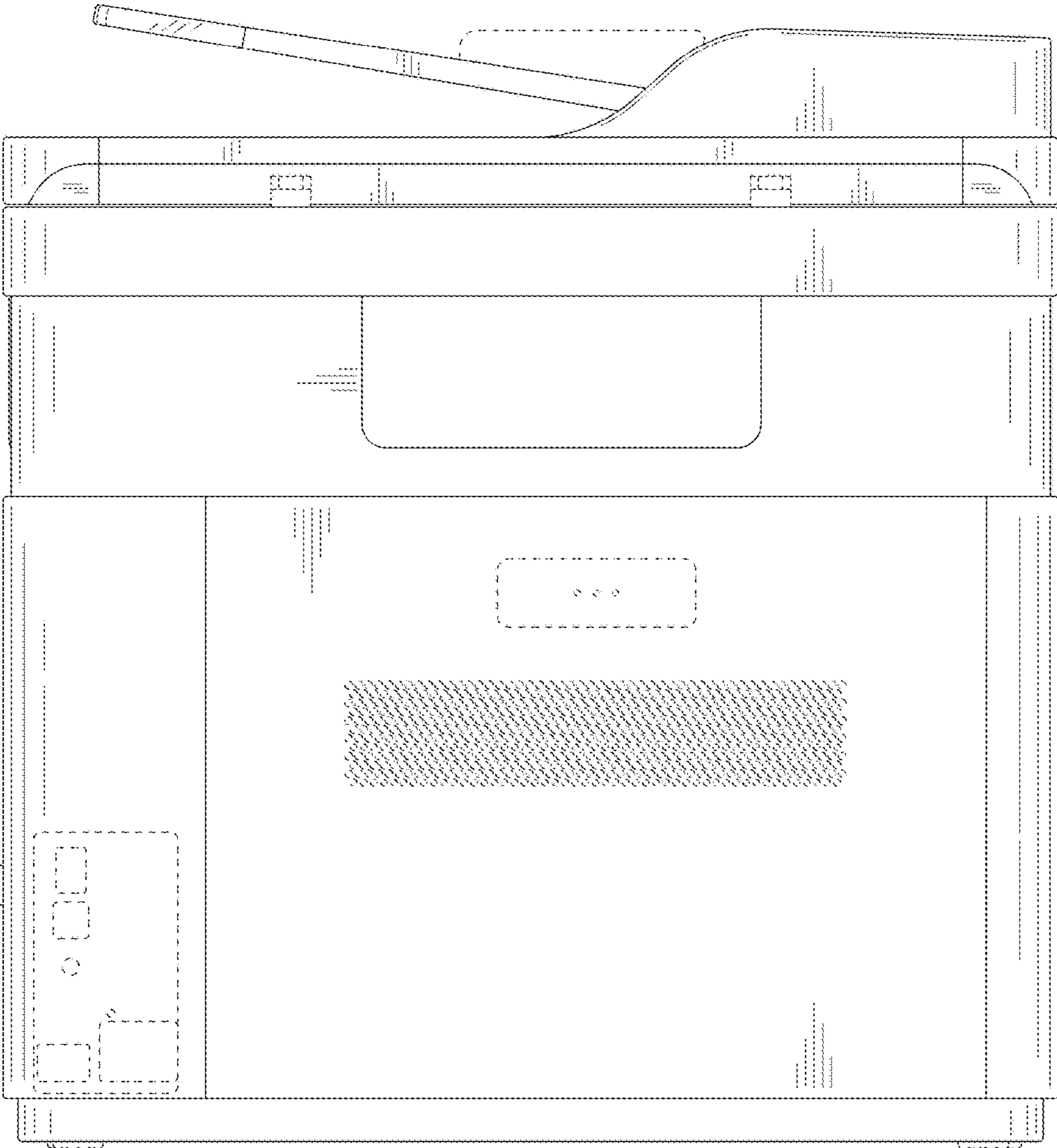


FIG. 4

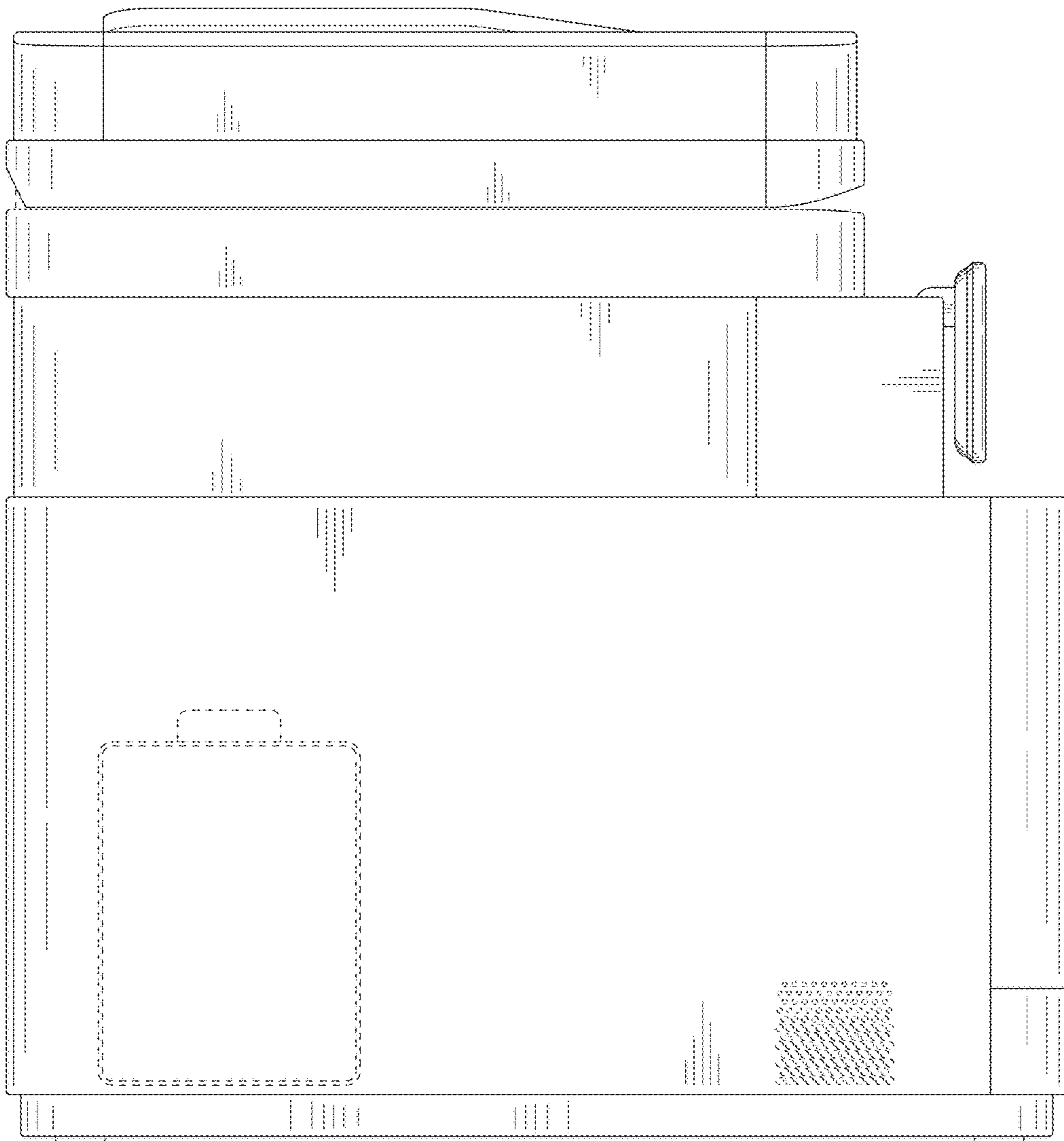


FIG. 5

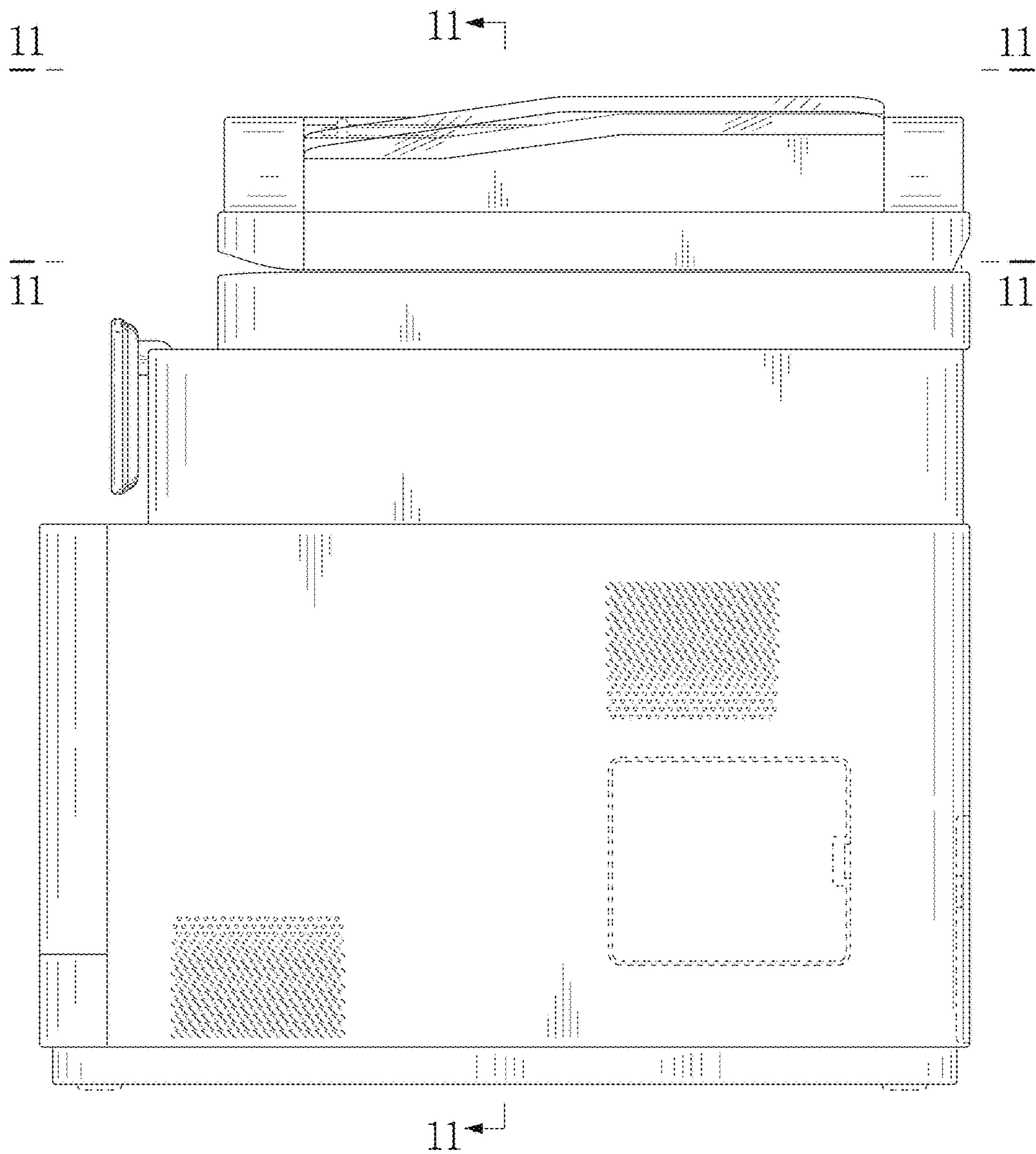


FIG. 6

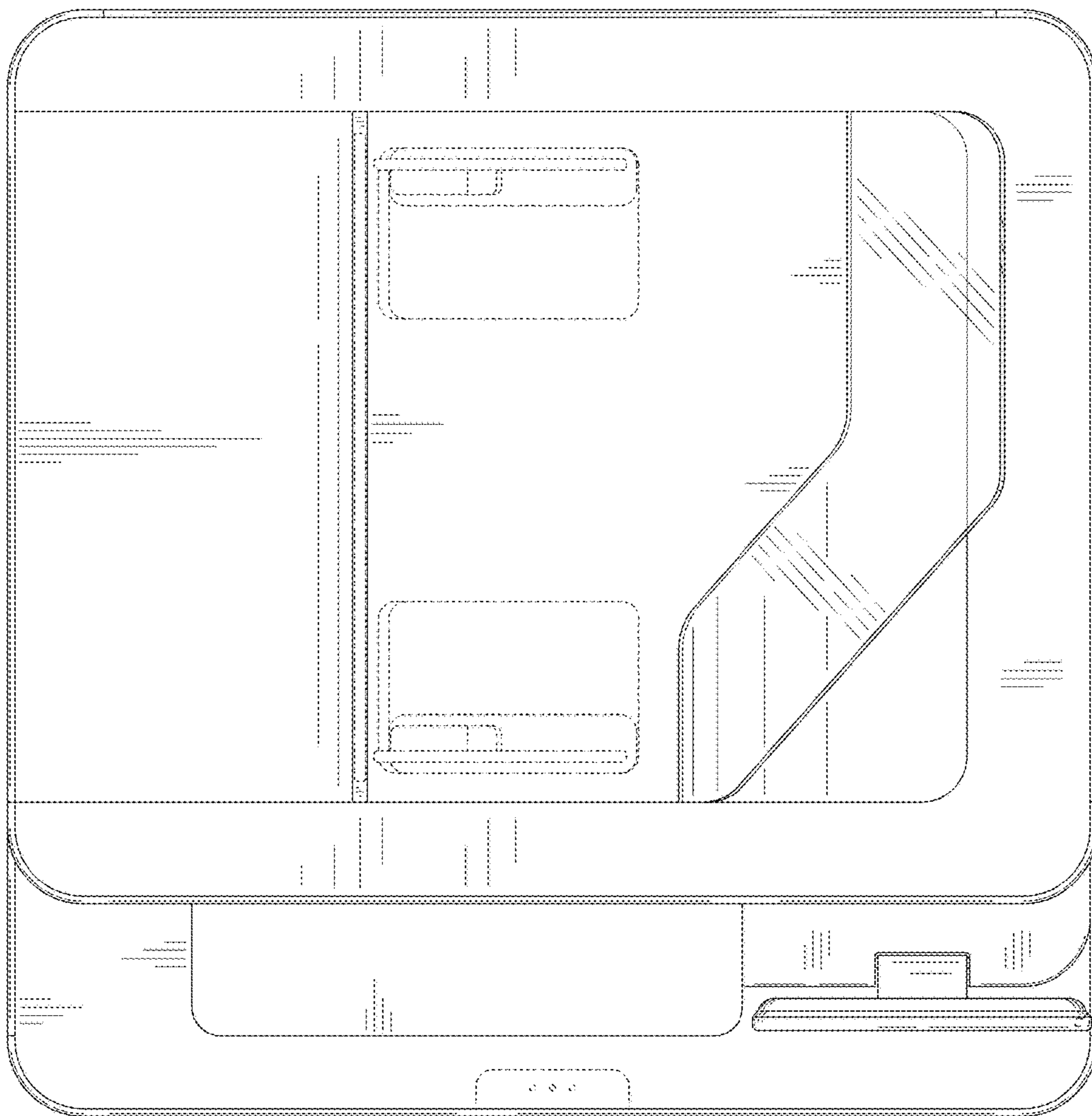


FIG. 7

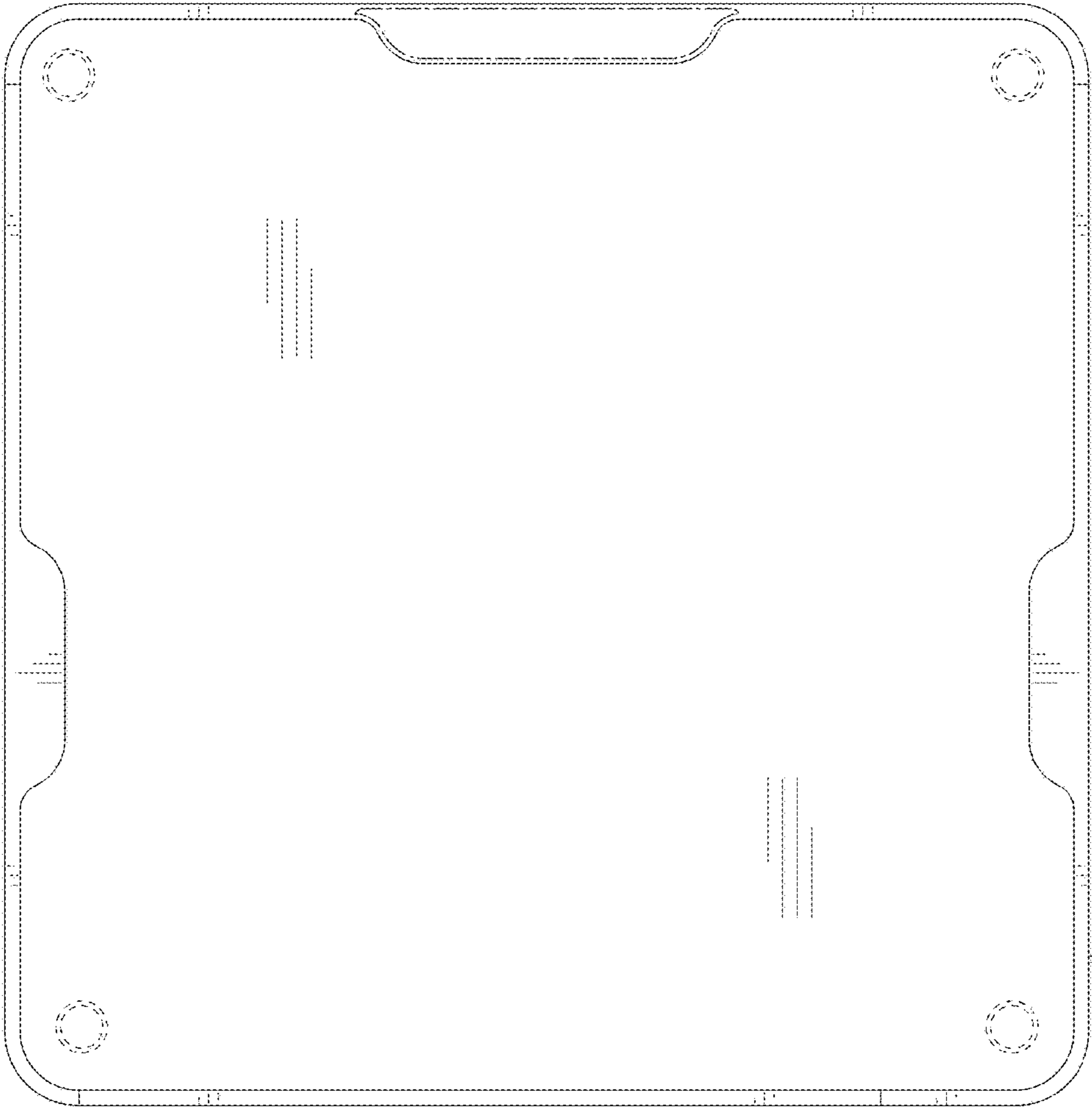


FIG. 8

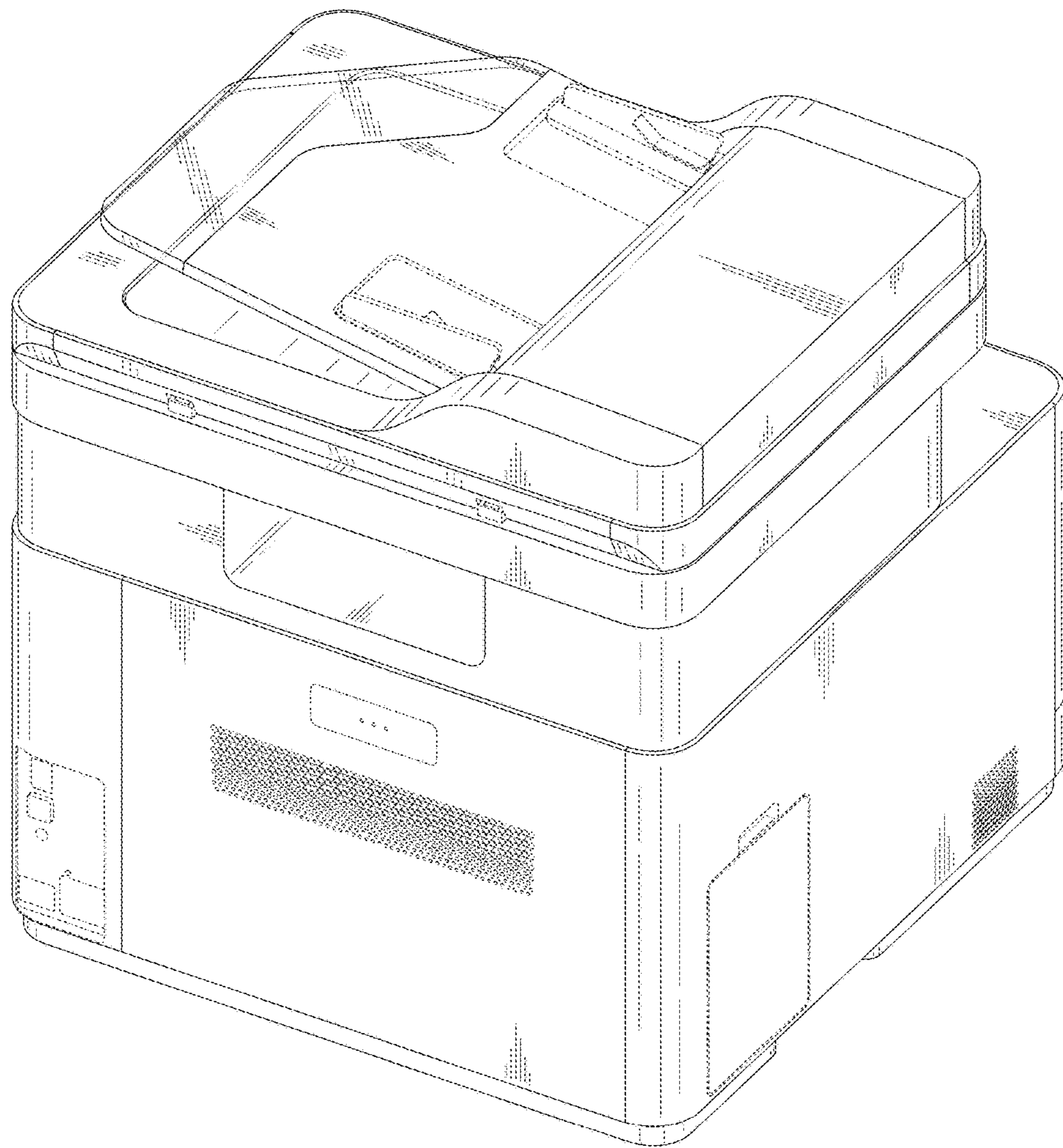


FIG. 9

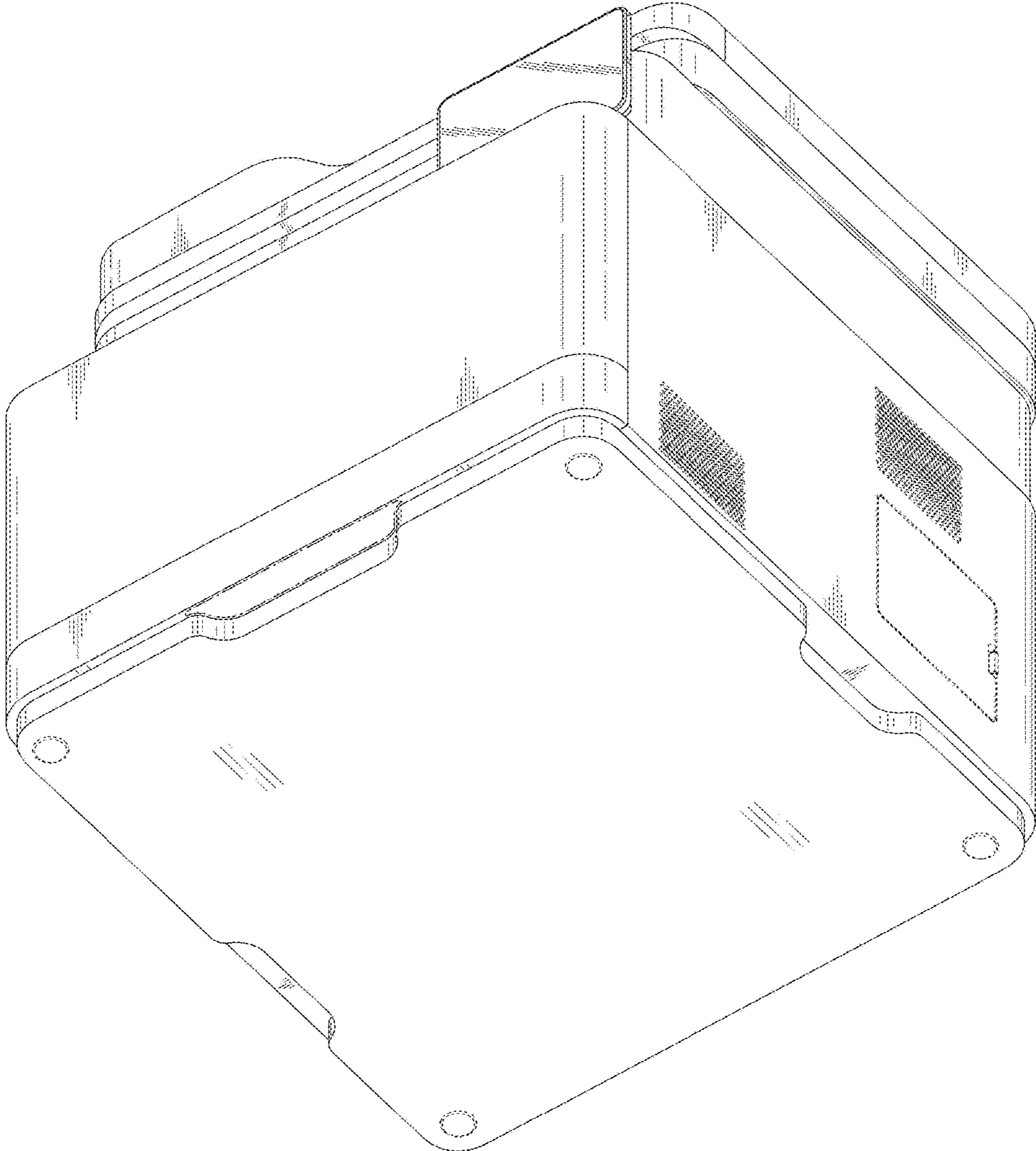


FIG. 10

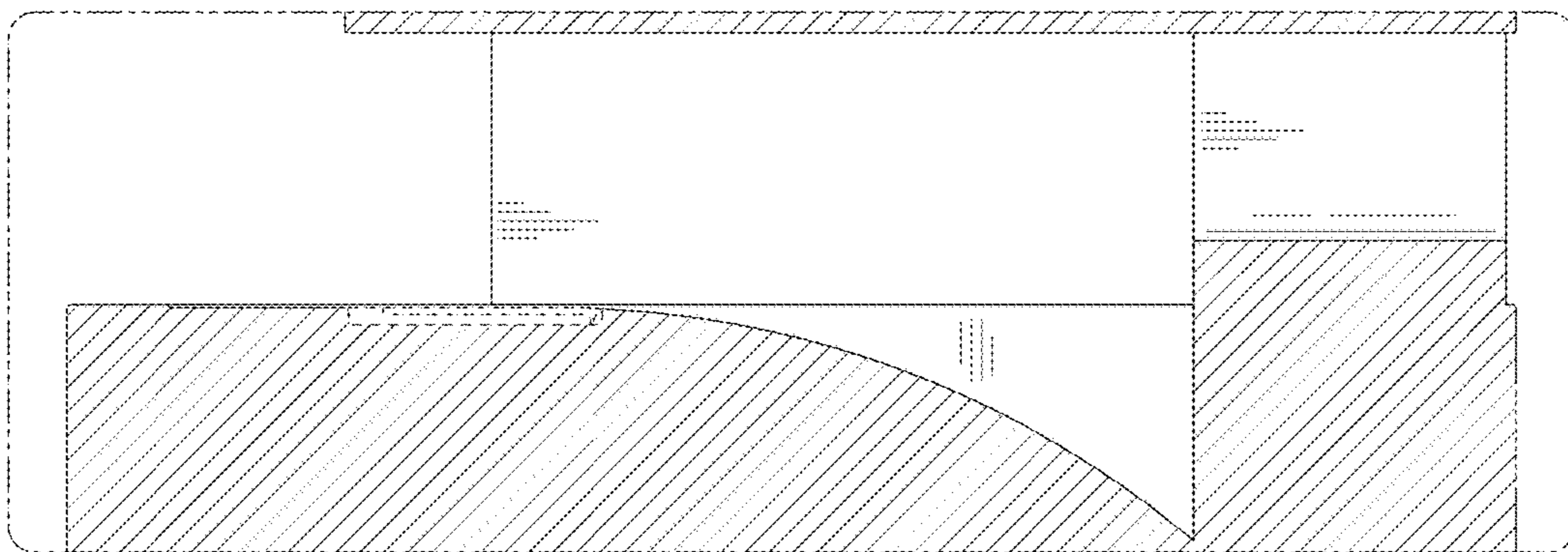


FIG. 11

