

US00D811470S

(12) **United States Design Patent** (10) **Patent No.:** **US D811,470 S**
Healy (45) **Date of Patent:** **** Feb. 27, 2018**

(54) **GUITAR PICK SLING**
(71) Applicant: **Brina Healy**, Whitman, MA (US)
(72) Inventor: **Brina Healy**, Whitman, MA (US)
(**) Term: **15 Years**
(21) Appl. No.: **29/575,925**
(22) Filed: **Aug. 30, 2016**
(51) **LOC (11) Cl.** **17-03**
(52) **U.S. Cl.**
USPC **D17/20**
(58) **Field of Classification Search**
USPC D3/201, 204; D17/20
CPC G10D 3/16; G10D 3/163; A44C 9/00-9/02
See application file for complete search history.

7,977,557 B2 * 7/2011 Broderick G10D 3/163
84/320
8,642,864 B2 2/2014 Bordelon
9,089,191 B1 * 7/2015 Farnum A44C 9/0061
9,240,167 B2 * 1/2016 Caccia G10D 3/163
2009/0139384 A1 6/2009 Bramucci
2010/0180747 A1 7/2010 Swartz
(Continued)

FOREIGN PATENT DOCUMENTS

CN 101989419 3/2011
DE 20114315 1/2002
(Continued)

Primary Examiner — Mitchell I. Siegel
(74) *Attorney, Agent, or Firm* — Gary E. Lambert; David J. Connaughton, Jr.; Lambert & Associates

(57) **CLAIM**

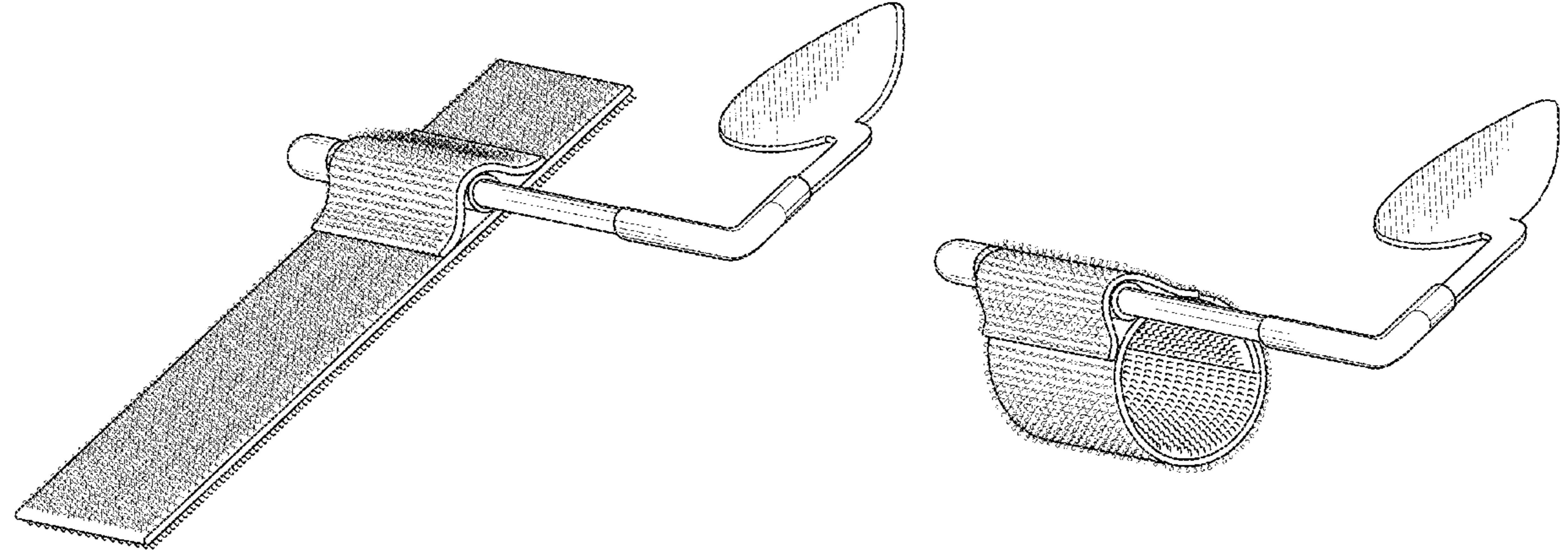
The ornamental design for a guitar pick sling, as shown and described.

DESCRIPTION

FIG. 1 is a perspective view of the guitar pick sling, which embodies my design;
FIG. 2 is a perspective view of the guitar pick sling, showing the strap portion in an alternate position;
FIG. 3 is a side view of the guitar pick sling of FIG. 2;
FIG. 4 is an opposite side of the guitar pick sling of FIG. 3;
FIG. 5 is a side view of the guitar pick sling of FIG. 1;
FIG. 6 is an opposite side view of the guitar pick sling of FIG. 5;
FIG. 7 is a top plan view of FIG. 1;
FIG. 8 is a bottom plan view of FIG. 1;
FIG. 9 is an exploded perspective view of FIG. 1; and,
FIG. 10 is a perspective view of FIG. 2, the broken line showing of the human hand is for illustrative purposes only and forms no part of the claimed design.

1 Claim, 6 Drawing Sheets

(56) **References Cited**
U.S. PATENT DOCUMENTS
4,137,814 A * 2/1979 Rowley G10D 3/163
84/322
4,489,867 A * 12/1984 Schwemberger A44C 5/0038
224/219
D291,809 S * 9/1987 Jasper D17/20
4,982,641 A * 1/1991 Duhart G10D 3/163
224/267
D362,264 S * 9/1995 Trees D17/20
D397,716 S * 9/1998 Mulkins D17/20
D397,717 S * 9/1998 Mulkins D17/20
D397,718 S * 9/1998 Mulkins D17/20
5,837,913 A * 11/1998 Newman G10D 3/163
84/329
6,242,677 B1 * 6/2001 Sander G10D 3/163
84/319
D471,943 S * 3/2003 Brick D21/791
6,903,256 B2 * 6/2005 Pittman G10D 3/163
84/320
6,977,330 B2 * 12/2005 Santa Cruz G10D 3/163
84/320



(56)

References Cited

U.S. PATENT DOCUMENTS

2010/0263515 A1 10/2010 Hollin, Jr.
2014/0090540 A1 4/2014 Panagiotes
2015/0243264 A1 8/2015 Parker

FOREIGN PATENT DOCUMENTS

DE 202011005619 9/2011
WO 2007003931 1/2007

* cited by examiner

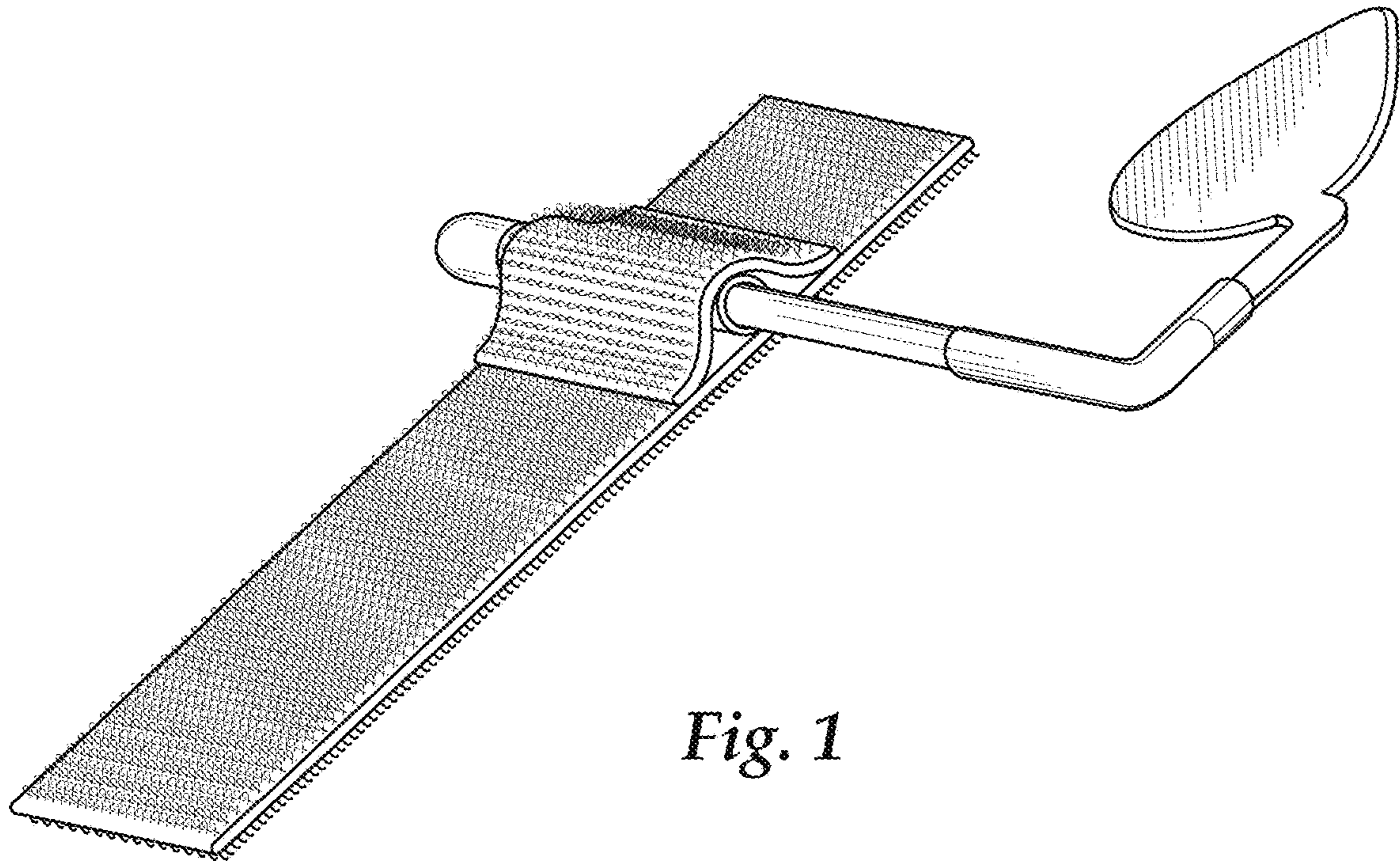


Fig. 1

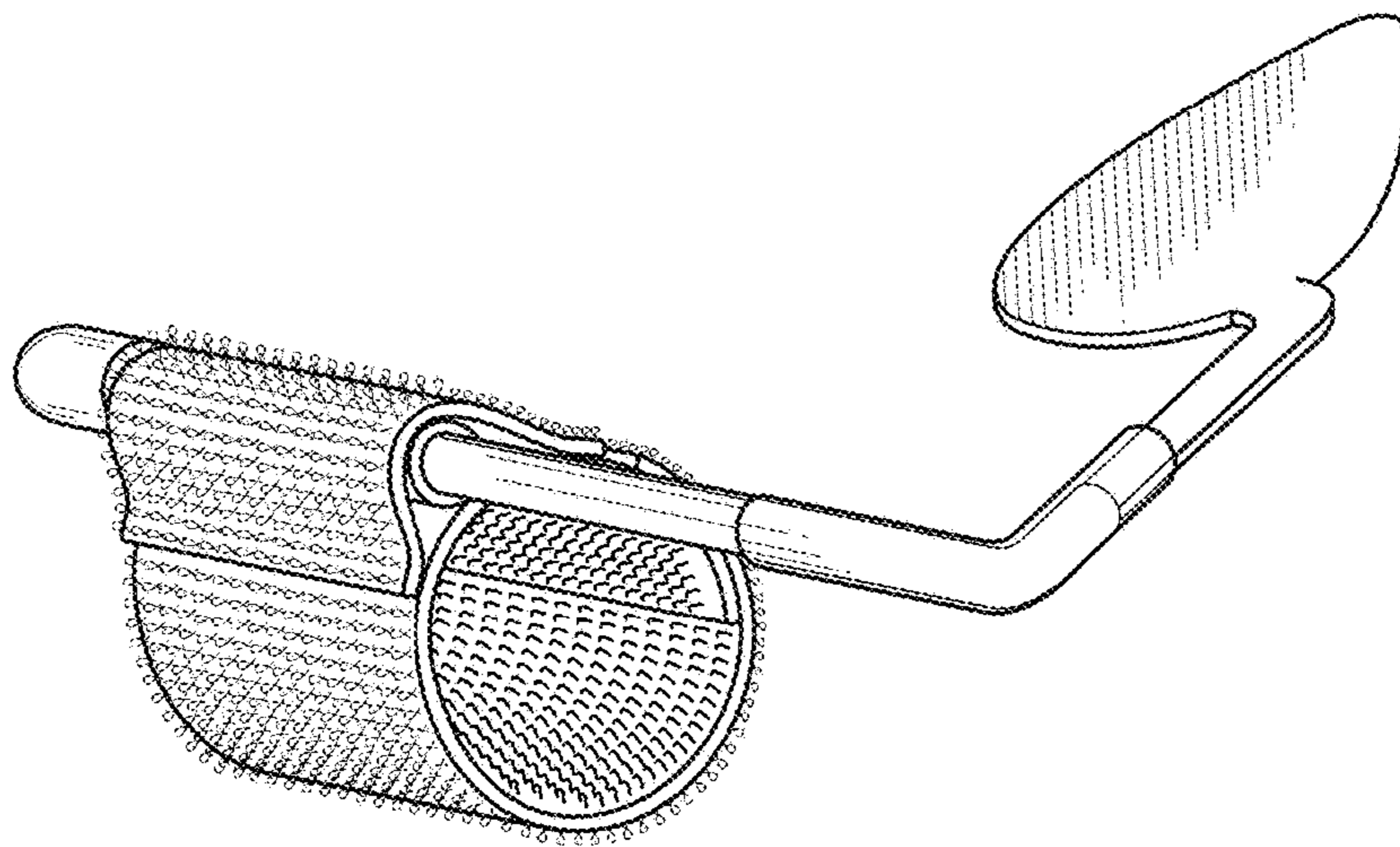


Fig. 2

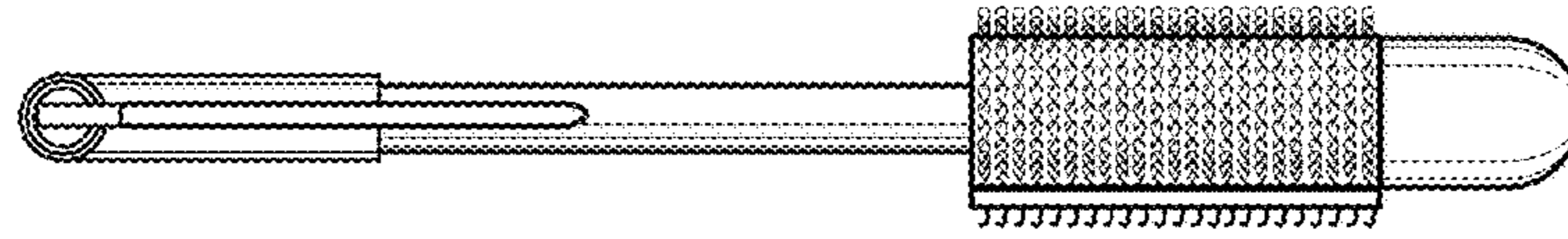


Fig. 3

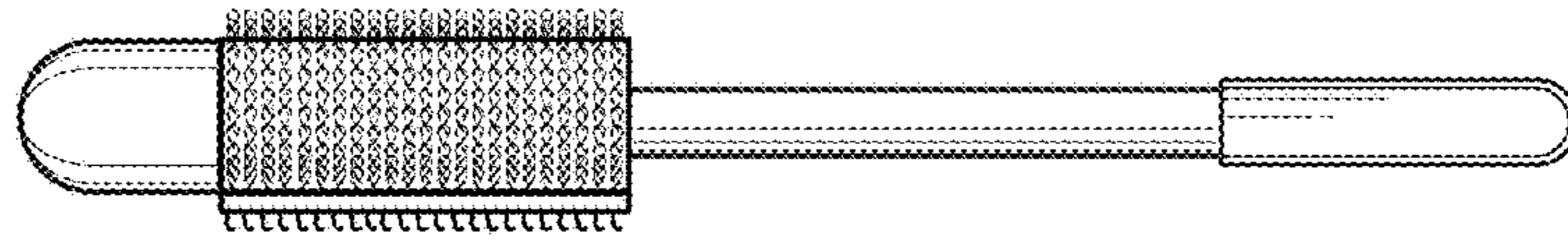


Fig. 4

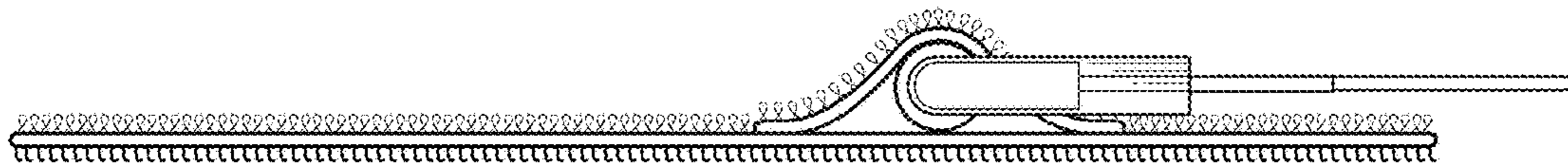


Fig. 5

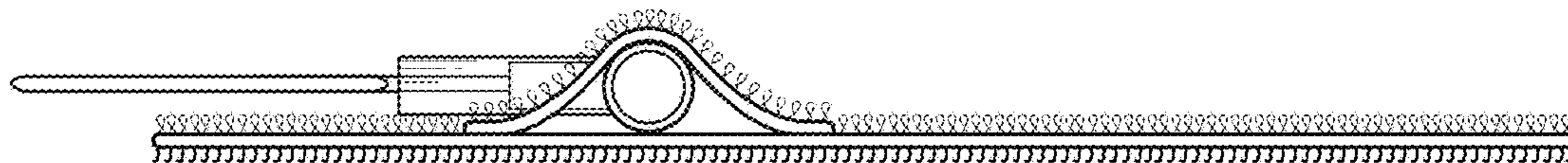


Fig. 6

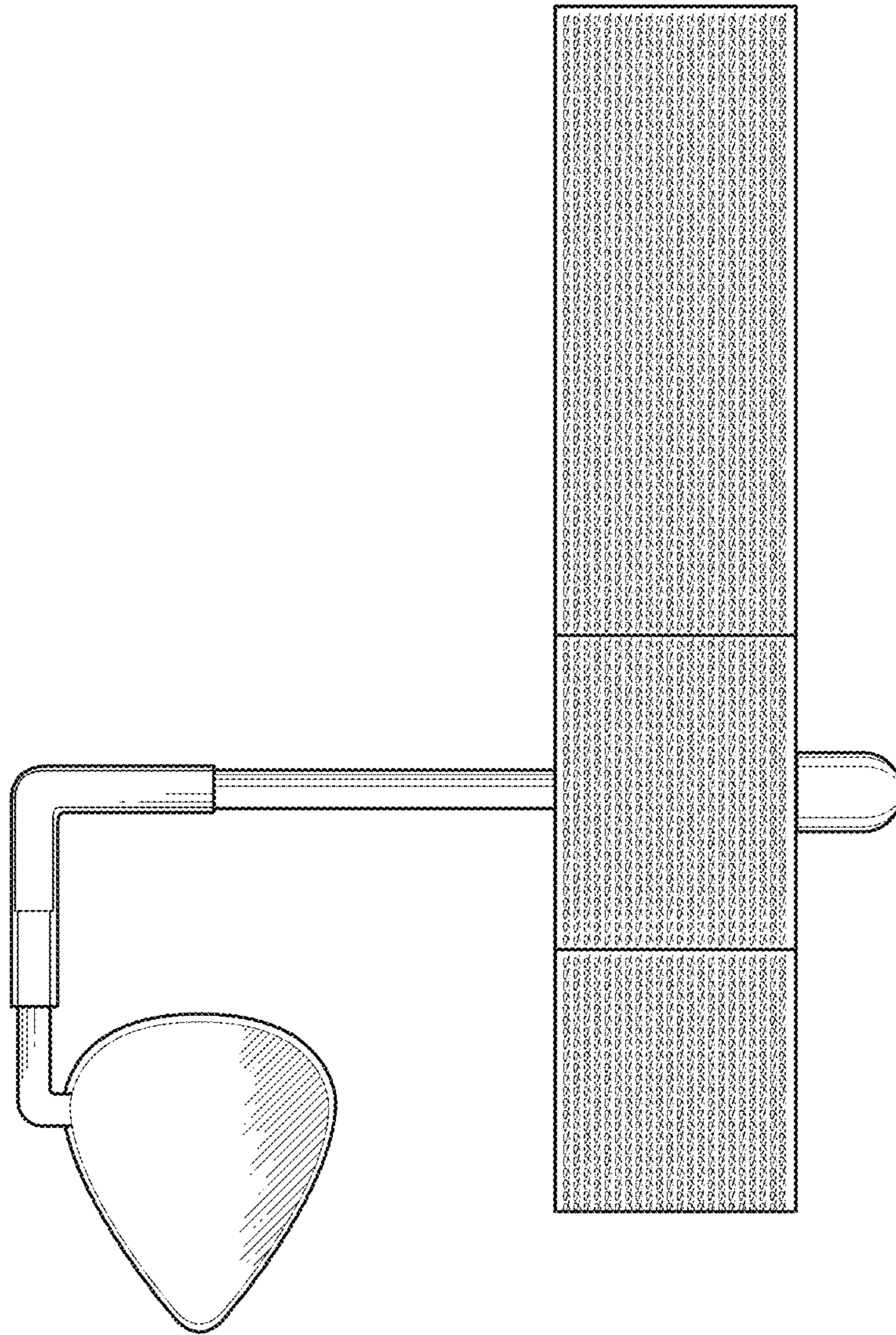


Fig. 7

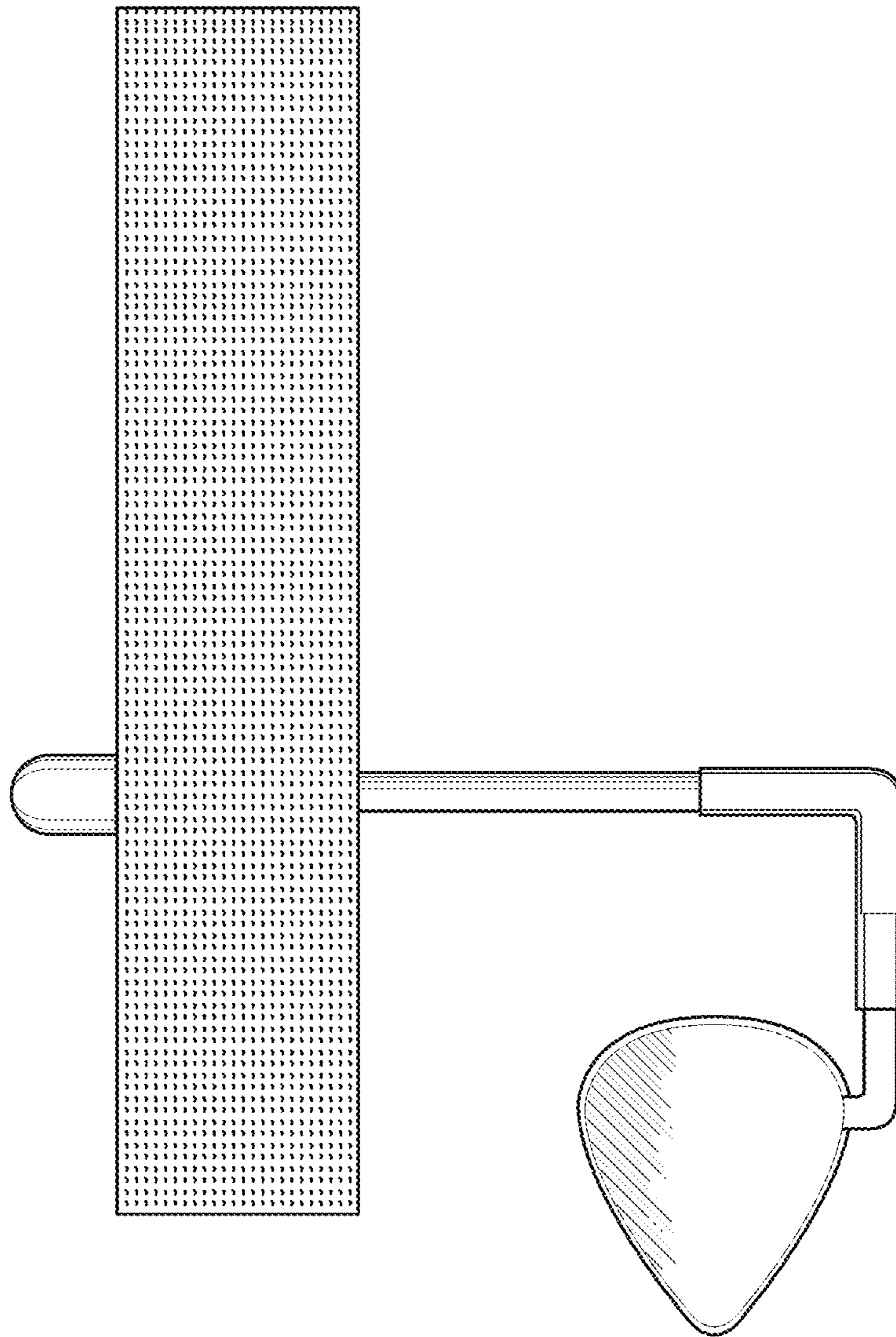


Fig. 8

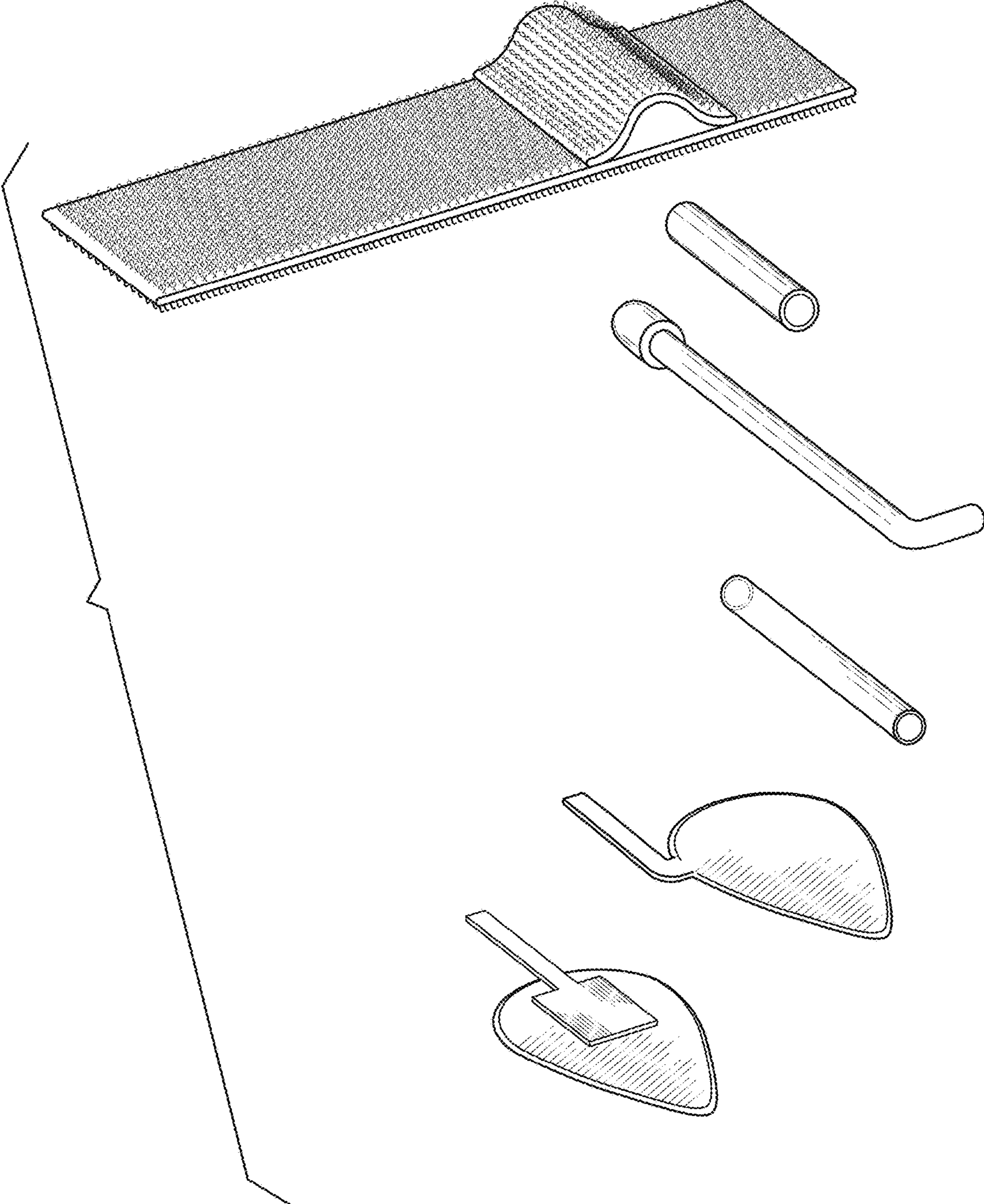


Fig. 9

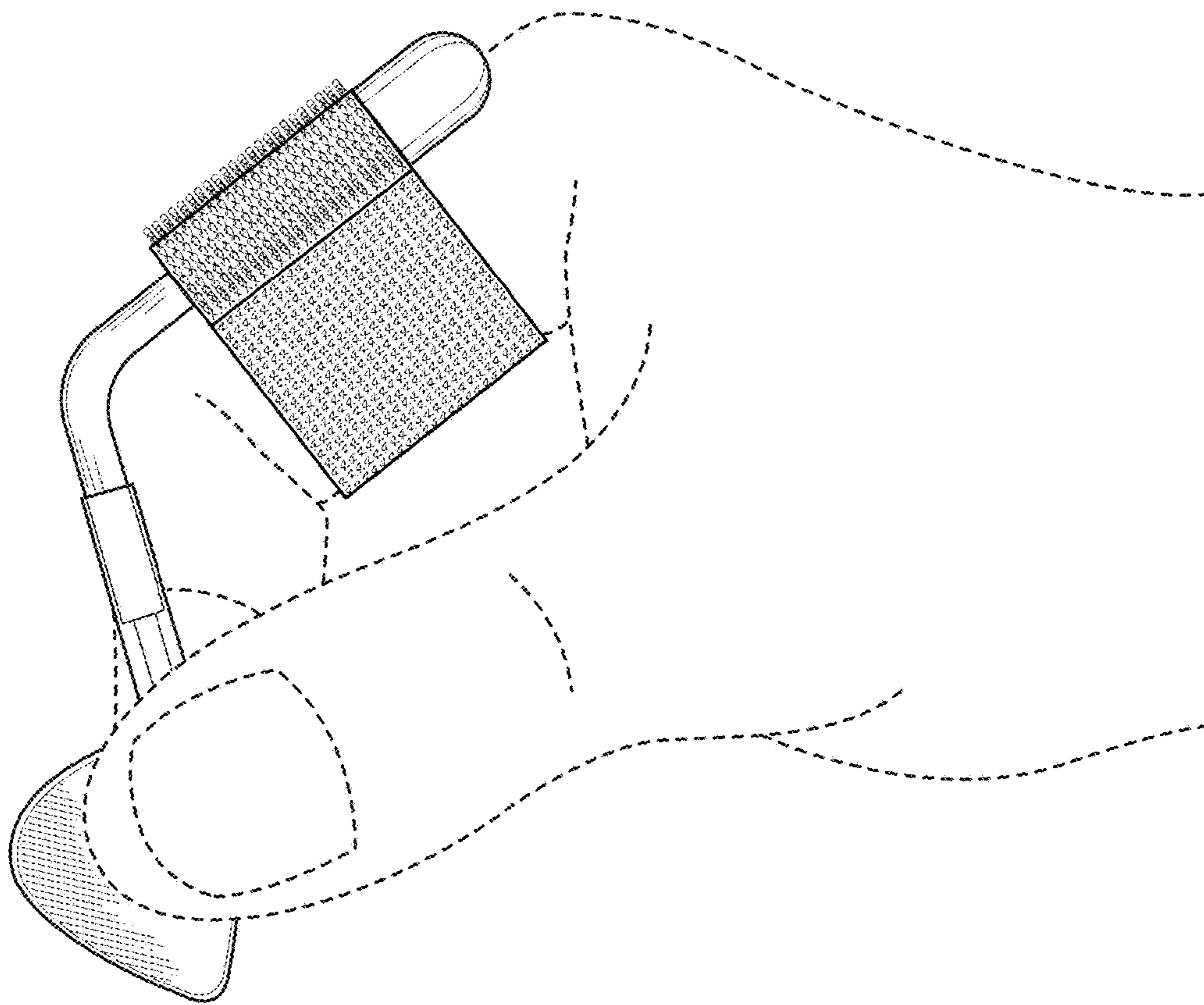


Fig. 10