



US00D811467S

(12) **United States Design Patent**
Osada

(10) **Patent No.:** **US D811,467 S**
(45) **Date of Patent:** **** Feb. 27, 2018**

(54) **DIGITAL CAMERA BODY OF LENS REPLACING TYPE**

(71) Applicant: **OLYMPUS CORPORATION**,
Hachioji-shi, Tokyo (JP)

(72) Inventor: **Reisuke Osada**, Hachioji (JP)

(73) Assignee: **OLYMPUS CORPORATION**, Tokyo
(JP)

(**) Term: **15 Years**

(21) Appl. No.: **29/577,932**

(22) Filed: **Sep. 16, 2016**

(30) **Foreign Application Priority Data**

May 17, 2016 (JP) 2016-010425

(51) **LOC (11) Cl.** **16-05**

(52) **U.S. Cl.**
USPC **D16/219**

(58) **Field of Classification Search**
USPC D16/200–220, 232, 235, 239, 242, 243,
D16/244, 245, 250; D14/423, 229, 251,
D14/253; D8/107, 303, 8; D32/18, 19,
D32/25; D4/113, 115, 138
CPC G02B 5/00; G03B 11/04; G03B 17/00;
G03B 17/02; G03B 9/08; H04N 5/2251;
H04N 5/232; H04N 7/00; F16M 13/00
See application file for complete search history.

(56) **References Cited**

U.S. PATENT DOCUMENTS

- 4,875,065 A * 10/1989 Kubodera G03B 17/02
396/424
- D308,214 S * 5/1990 Tanaka D16/209
- 5,075,707 A * 12/1991 Shibayama G03B 17/02
396/408
- D353,607 S * 12/1994 Kamitani D16/200
- D392,659 S * 3/1998 Takano D16/200

- D416,270 S * 11/1999 Harata D16/202
- D423,031 S 4/2000 Shinohara et al.
- 6,058,274 A * 5/2000 Omiya G03B 17/02
396/535
- D427,918 S * 7/2000 Nakai D10/31
(Continued)

FOREIGN PATENT DOCUMENTS

- JP D1571316 * 3/2017
- JP D1571919 * 3/2017

OTHER PUBLICATIONS

U.S. Appl. No. 29/578,004; First Named Inventor: Reisuke Osada;
Title: “Digital Camera Body of Lens Replacing Type”; filed Sep. 16,
2016.

Primary Examiner — Barbara Fox
Assistant Examiner — Mary C Ramirez
(74) *Attorney, Agent, or Firm* — Holtz, Holtz & Volek PC

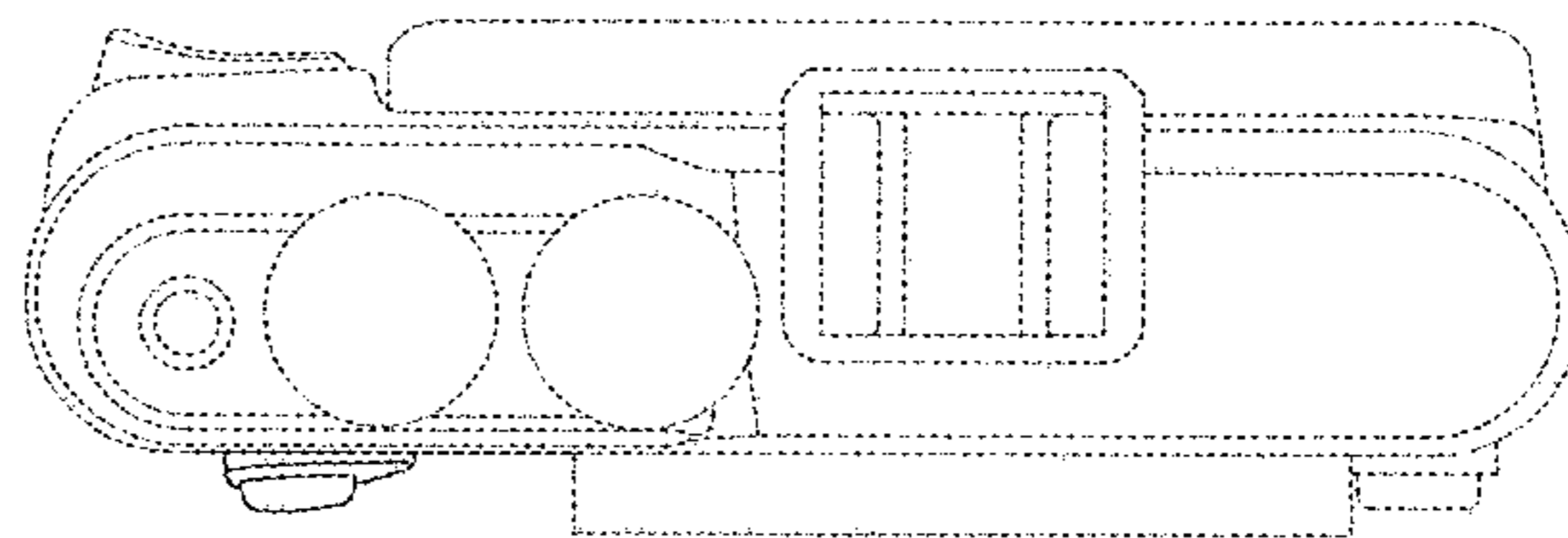
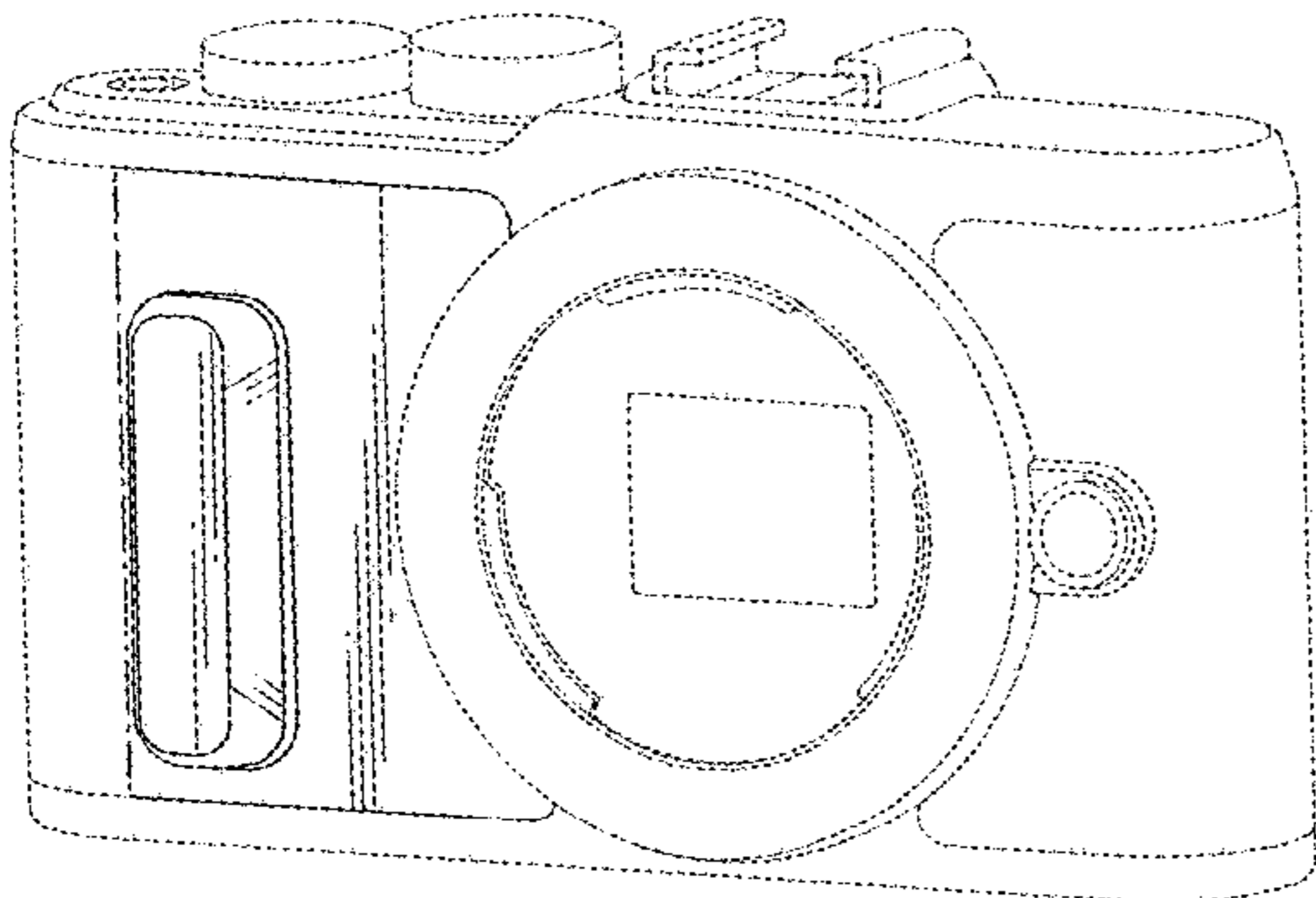
(57) **CLAIM**

The ornamental design for a digital camera body of lens replacing type, as shown and described.

DESCRIPTION

FIG. 1 is a front, top and right side perspective view of a digital camera body of lens replacing type showing my new design;
FIG. 2 is a rear, top and left side perspective view thereof;
FIG. 3 is a front elevational view thereof;
FIG. 4 is a rear elevational view thereof;
FIG. 5 is a top plan view thereof;
FIG. 6 is a bottom plan view thereof;
FIG. 7 is a right side elevational view thereof; and,
FIG. 8 is a left side elevational view thereof.
The broken lines shown in the drawings depict portions of the digital camera body of lens replacing type that form no part of the claimed design.

1 Claim, 5 Drawing Sheets



(56)

References Cited

U.S. PATENT DOCUMENTS

D479,547 S *	9/2003	Nagayama	D16/202	D720,793 S *	1/2015	Tajima	D16/219
D483,783 S *	12/2003	Yoshida	D16/202	D737,355 S *	8/2015	Tainaka	D16/202
6,683,653 B1 *	1/2004	Miyake	H04N 1/2158 348/373	D775,253 S *	12/2016	Kim	D16/202
D486,168 S *	2/2004	Nakamura	D16/202	2005/0094027 A1 *	5/2005	Kano	G03B 11/06 348/362
D494,611 S *	8/2004	Nakamura	D16/202	2005/0200756 A1 *	9/2005	Park	G03B 17/02 348/376
D502,479 S *	3/2005	Nishizawa	D16/202	2007/0110433 A1 *	5/2007	Masahiko	G03B 9/14 396/469
D503,946 S *	4/2005	Chao	D16/202	2010/0013986 A1 *	1/2010	Yamamoto	G03B 17/02 348/375
D520,547 S *	5/2006	Yanagisawa	D16/202	2011/0007133 A1 *	1/2011	Imanishi	G03B 17/00 348/42
D525,639 S *	7/2006	Nakamura	D16/202	2014/0146191 A1 *	5/2014	Tsuchiya	G02B 27/646 348/208.2
D532,030 S	11/2006	Yoshida		2015/0168816 A1 *	6/2015	Fujiwara	G03B 17/563 348/375
D634,766 S *	3/2011	Ham	D16/202	2016/0044222 A1 *	2/2016	Endo	H04N 5/23293 348/208.16
D657,408 S	4/2012	Tainaka						
D695,808 S *	12/2013	Takahashi	D16/202					
D712,953 S *	9/2014	Nohara	D16/200					
D713,869 S	9/2014	Kim						
D716,862 S *	11/2014	Hoshi	D16/202					
D719,599 S *	12/2014	Fujita	D16/202					

* cited by examiner

FIG.1

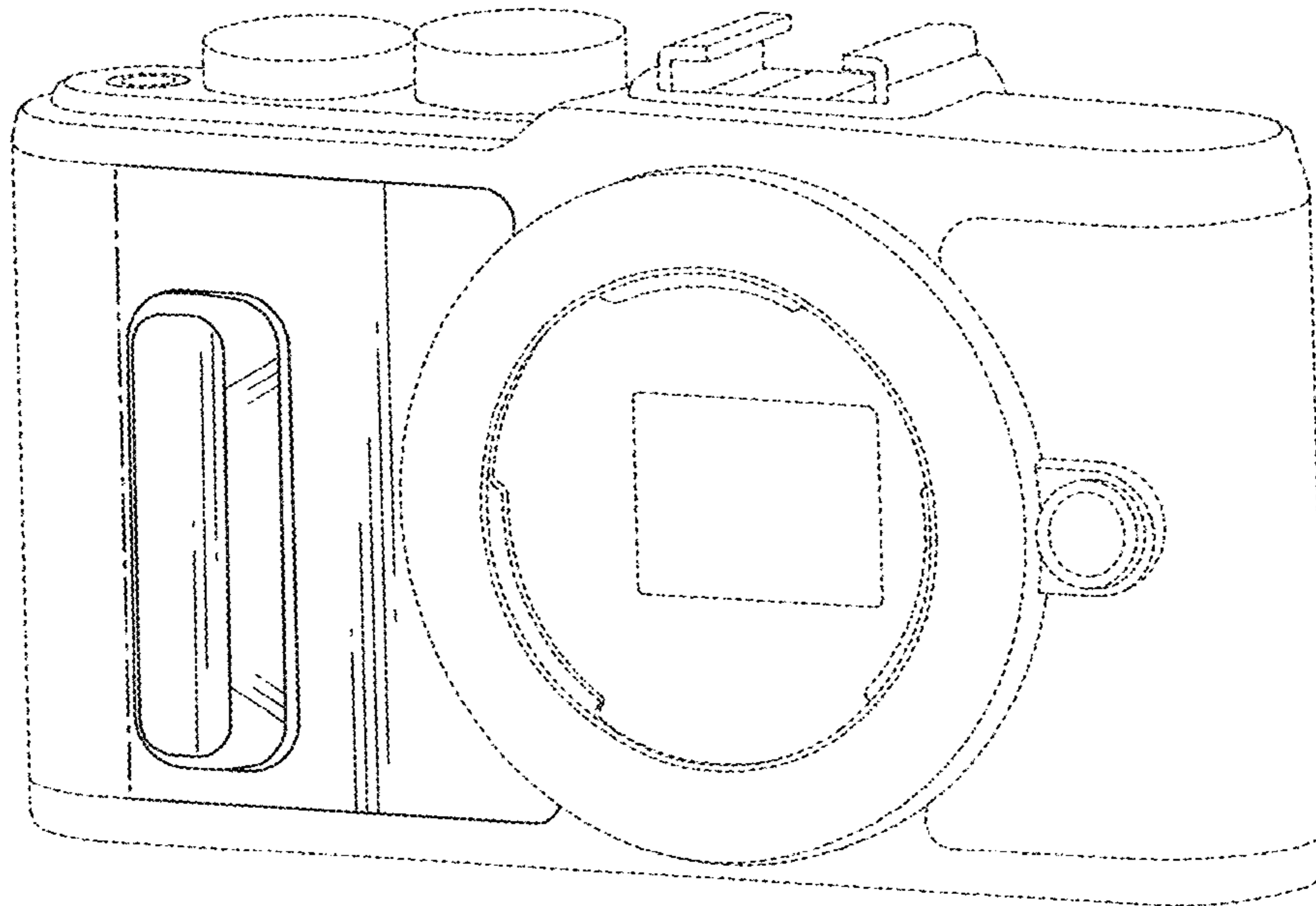


FIG.2

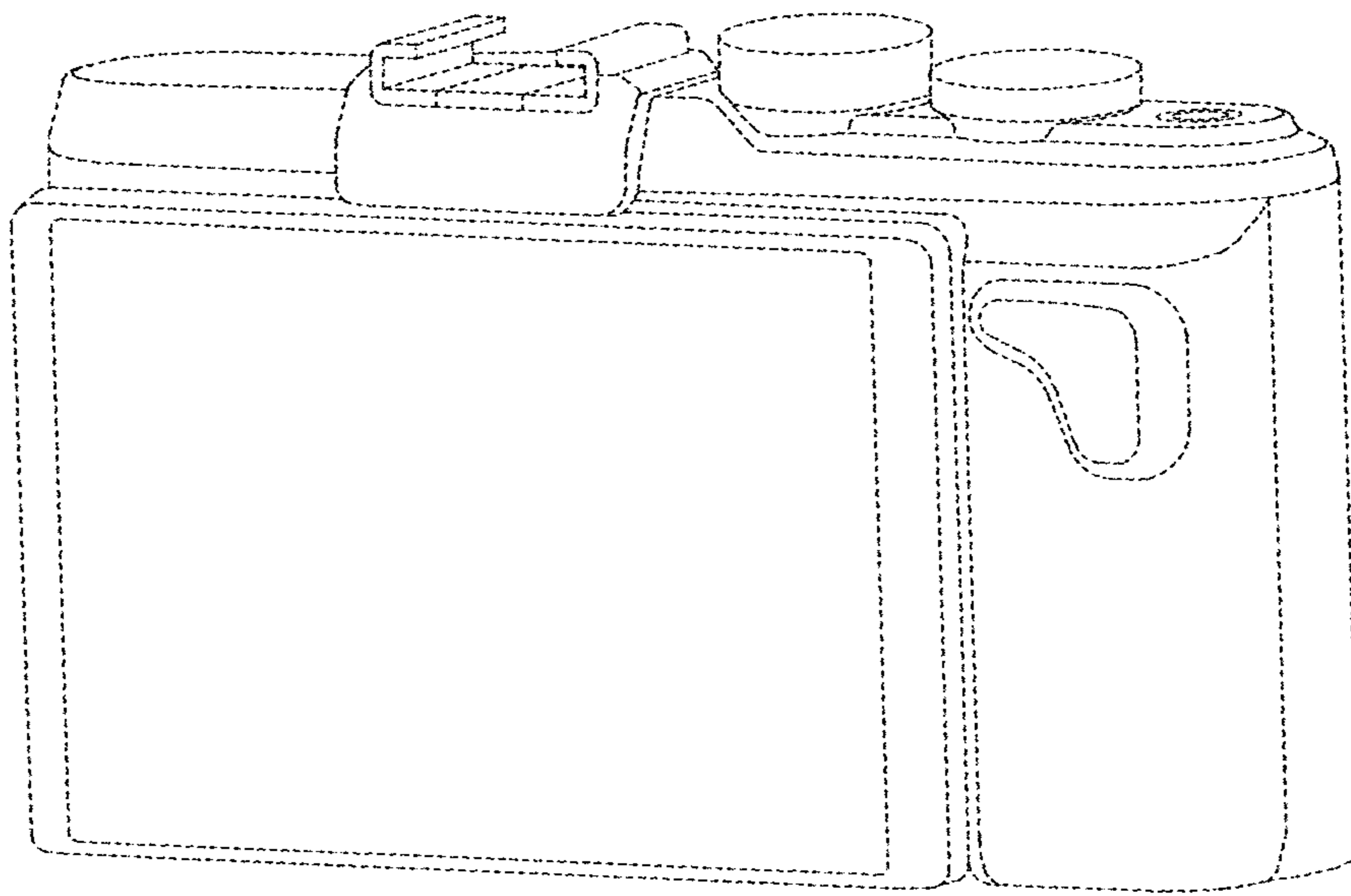


FIG.3

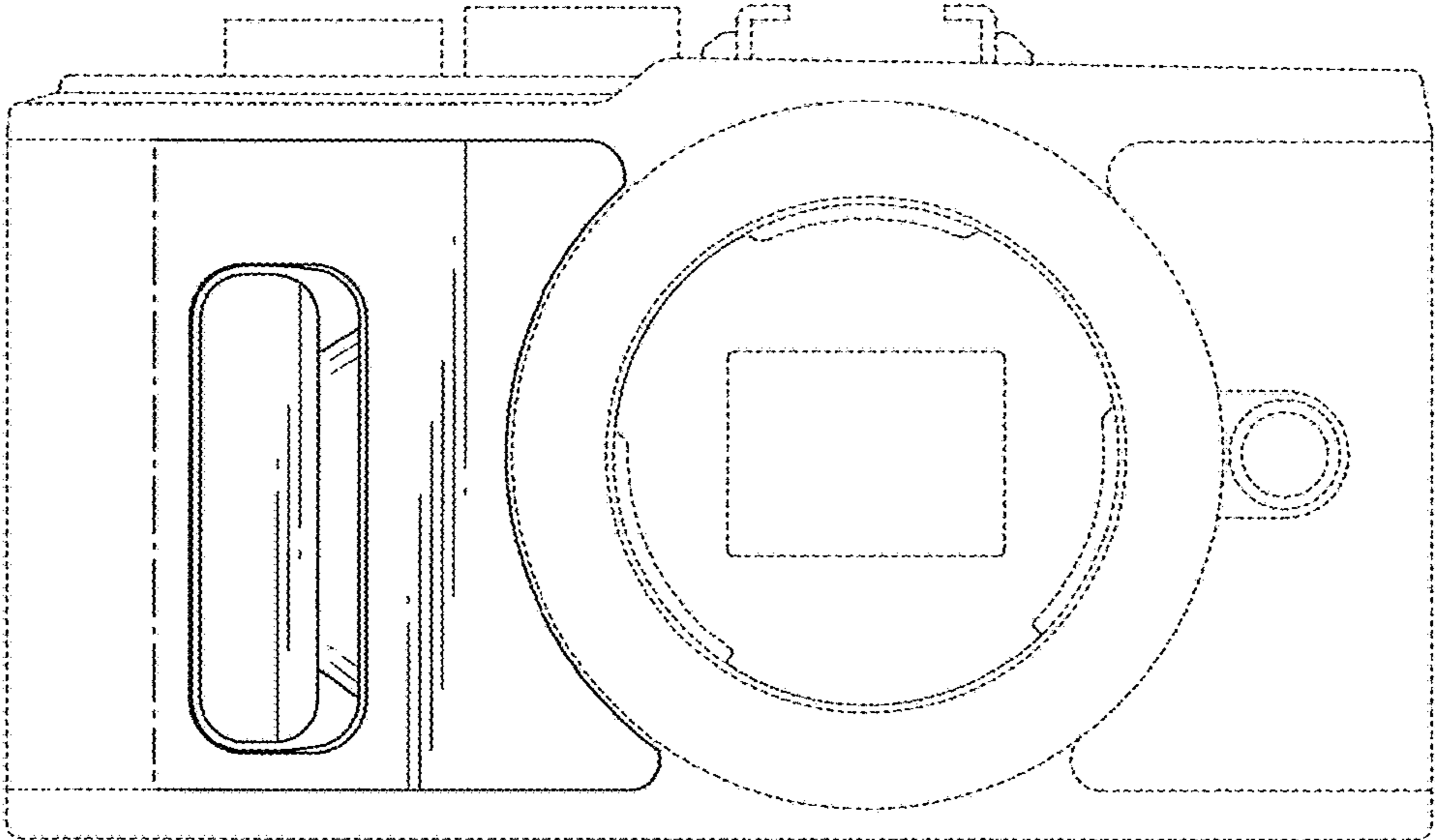


FIG.4

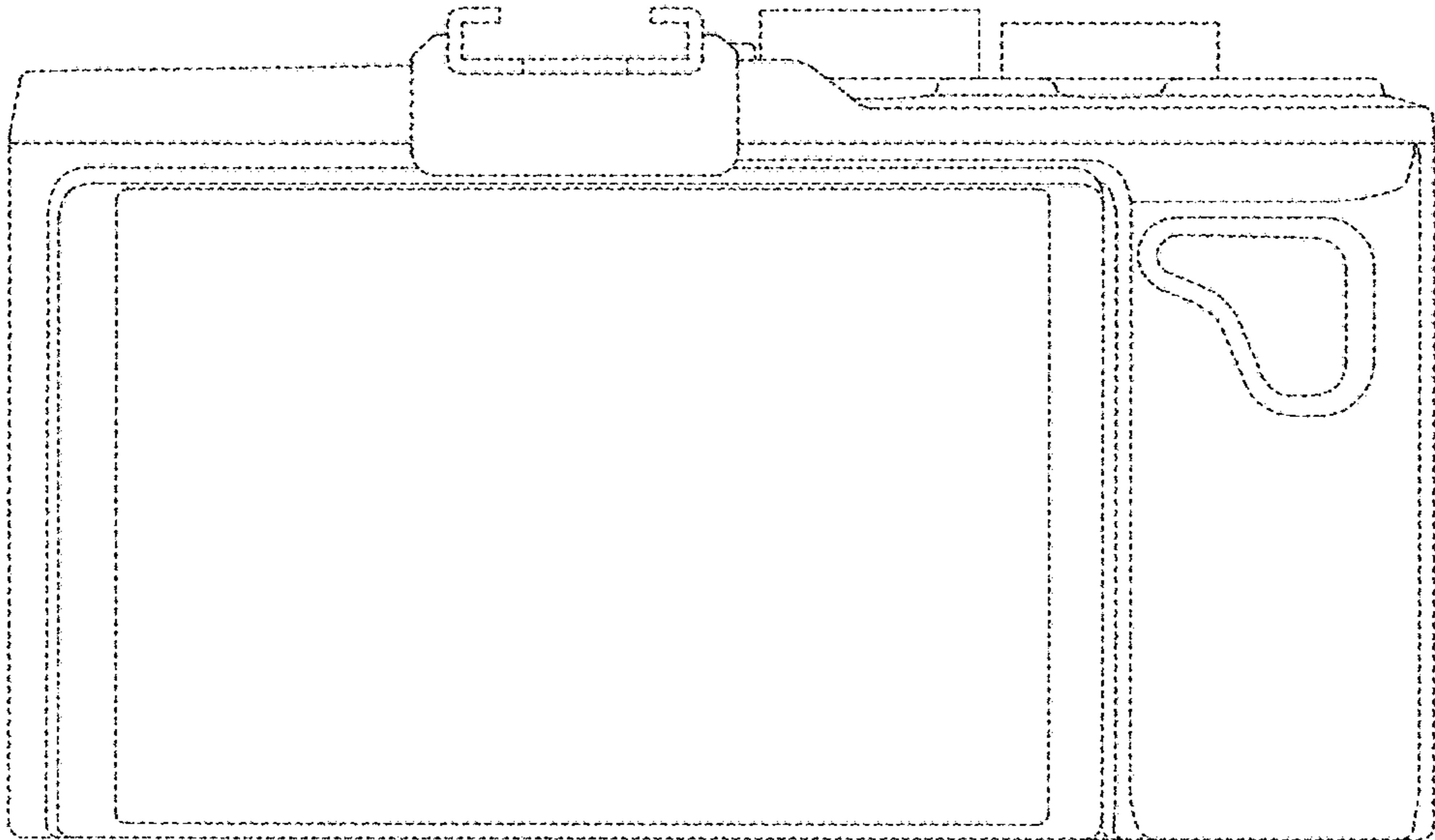


FIG.5

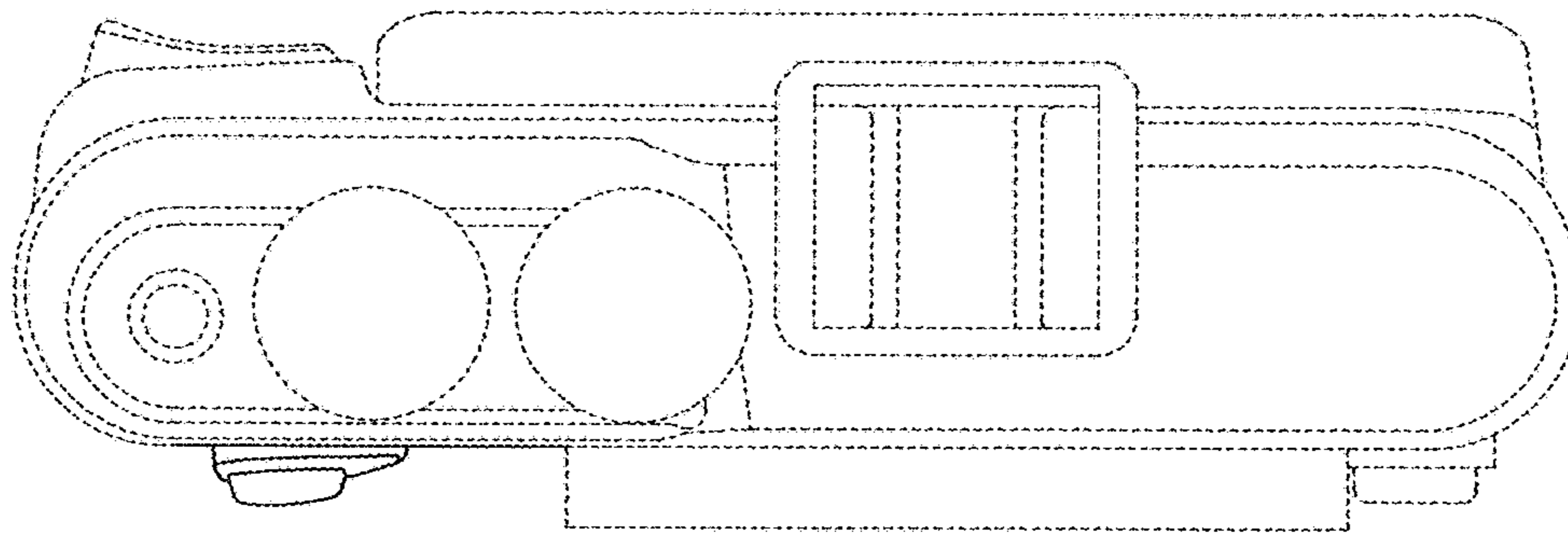


FIG.6

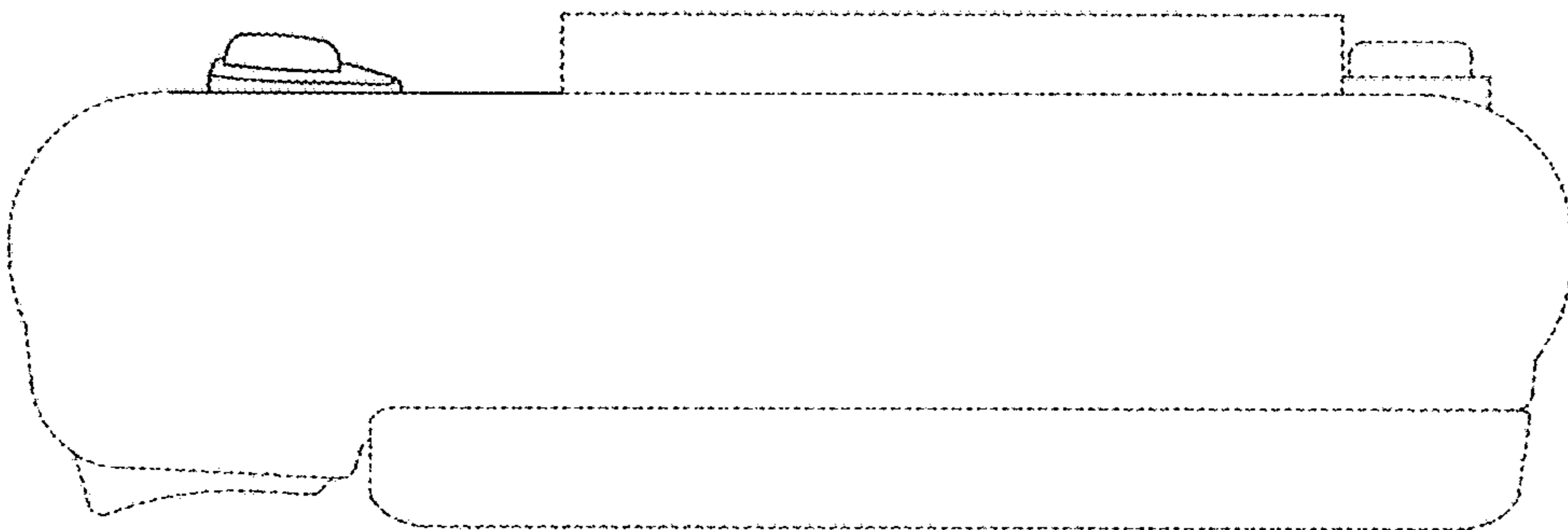


FIG.7

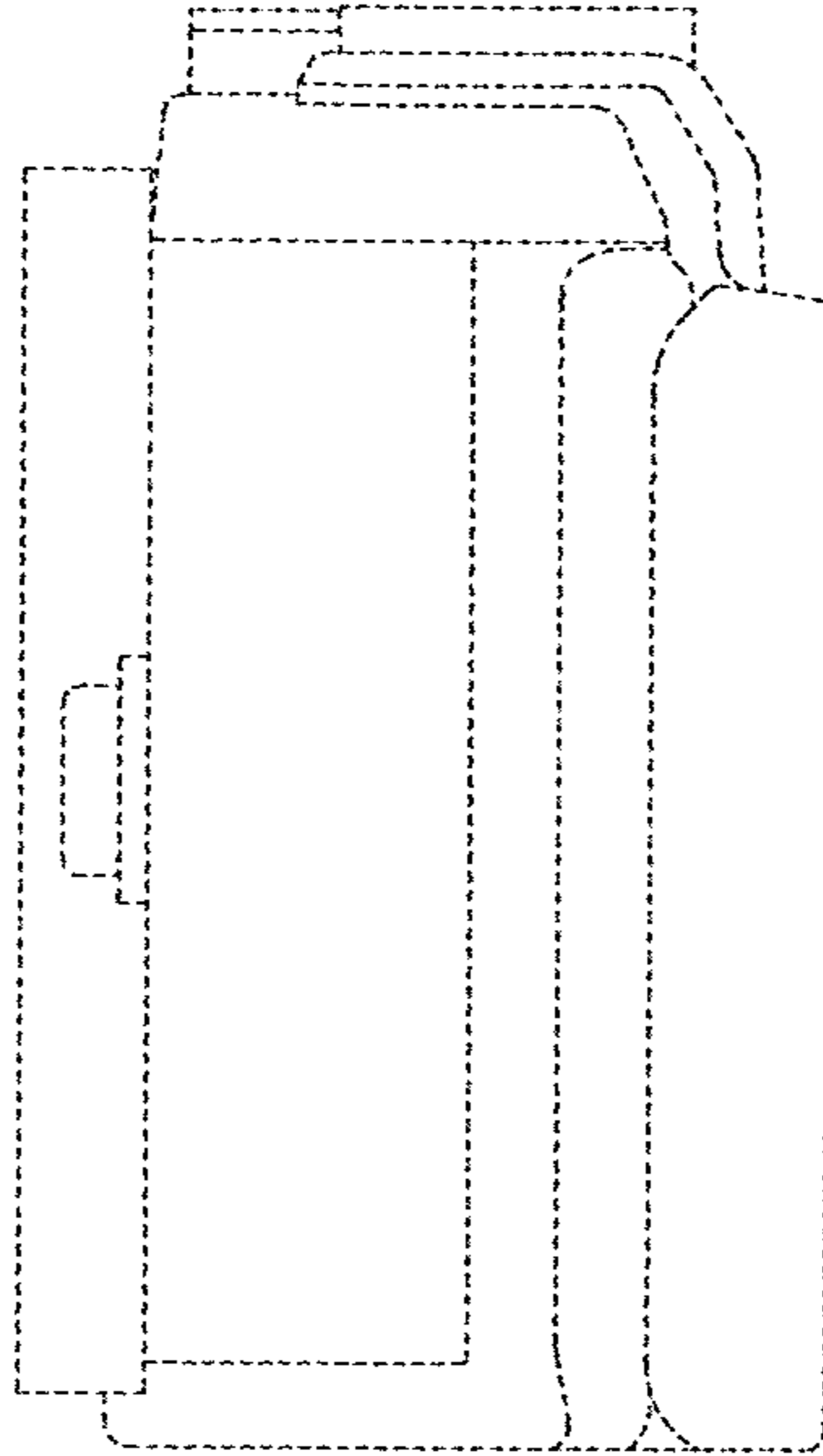


FIG.8

