



US00D811465S

(12) **United States Design Patent** (10) **Patent No.:** **US D811,465 S**
Nokuo (45) **Date of Patent:** **** Feb. 27, 2018**

(54) **CAMERA**

(71) Applicant: **SONY INTERACTIVE ENTERTAINMENT INC.**, Tokyo (JP)

(72) Inventor: **Taichi Nokuo**, Tokyo (JP)

(73) Assignee: **SONY INTERACTIVE ENTERTAINMENT INC.**, Tokyo (JP)

(**) Term: **15 Years**

(21) Appl. No.: **29/595,787**

(22) Filed: **Mar. 2, 2017**

(30) **Foreign Application Priority Data**

Sep. 2, 2016 (JP) 2016-018970

(51) **LOC (11) Cl.** **16-01**

(52) **U.S. Cl.**
USPC **D16/218**

(58) **Field of Classification Search**
USPC D10/70, 104.1, 106.6, 106.7; D16/130, D16/200, 202-203, 207, 208, 210, 218, D16/219, 242; D14/203.1, 209.1, 496, D14/497; 348/14.01-14.6, 143, 148, 151, 348/373-376; 396/419, 427, 535, 396/539-541

CPC G03B 17/02; G03B 19/04; G03B 17/56; G03B 17/04; G03B 15/03; H04N 5/2251; H04N 5/2252; H04N 5/2253; H04N 5/2254; H04N 2101/00; H04N 2007/145; H04N 7/141; H04N 7/142; H04N 7/147; H04N 7/148; H04N 7/15; H04N 7/152

See application file for complete search history.

(56) **References Cited**

U.S. PATENT DOCUMENTS

D559,883 S * 1/2008 Nakamura D16/218
D615,888 S * 5/2010 Ikeda D10/70

D619,484 S * 7/2010 Ikeda D10/106.7
D662,532 S * 6/2012 Chang D16/202
D665,441 S * 8/2012 McManigal D16/202
D669,111 S * 10/2012 Ravi D16/202
D685,015 S * 6/2013 Wang D16/202
D687,082 S * 7/2013 Wang D16/202
D711,949 S * 8/2014 Koenck D16/130
D712,946 S * 9/2014 Hong D16/202
D712,952 S * 9/2014 Sumii D14/496
D744,573 S * 12/2015 Matsumiya D16/218

(Continued)

Primary Examiner — Philip S Hyder

Assistant Examiner — Ramzi S Almatrahi

(74) *Attorney, Agent, or Firm* — Young & Thompson

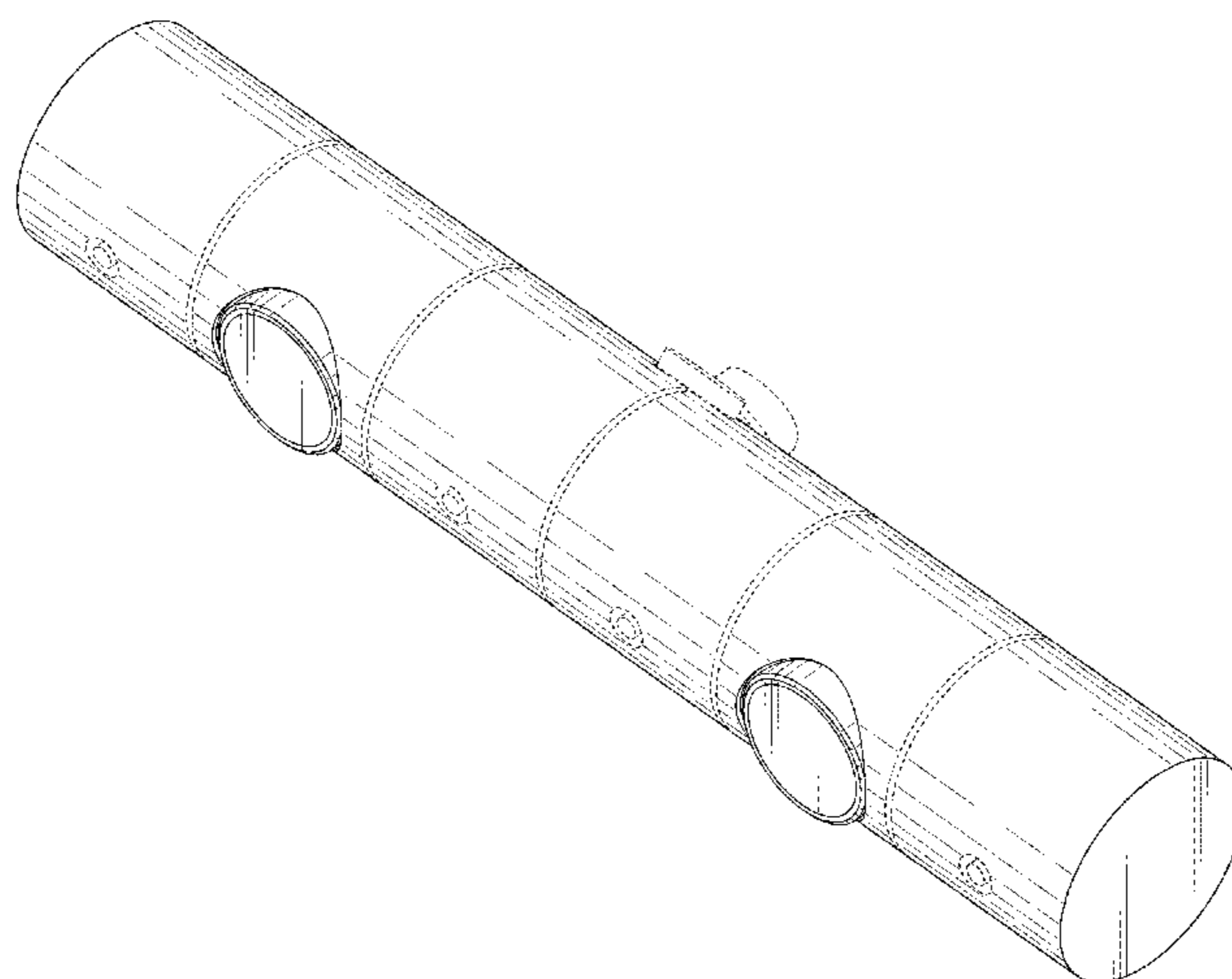
(57) **CLAIM**

The ornamental design for a camera, as shown and described.

DESCRIPTION

FIG. 1 is a top, front and right side perspective view of a camera showing my new design;
FIG. 2 is a front view thereof;
FIG. 3 is a rear view thereof;
FIG. 4 is a left side view thereof;
FIG. 5 is a right side view thereof;
FIG. 6 is a top view thereof;
FIG. 7 is a bottom view thereof;
FIG. 8 is a top, rear and right side perspective view thereof, shown in condition of use with a cable disclosed in broken lines to illustrate an environment; and,
FIG. 9 is a top, front and right side perspective view thereof, shown in condition of use with a cable and mount disclosed in broken lines to illustrate an environment.
The broken lines depict portions of the camera in which the design is embodied that form no part of the claimed design. The broken lines showing a cable and mount in FIGS. 8 and 9 represent environmental structure and form no part of the claimed design.

1 Claim, 6 Drawing Sheets



(56)

References Cited

U.S. PATENT DOCUMENTS

2006/0061655 A1* 3/2006 Wang B60R 11/04
348/148

* cited by examiner

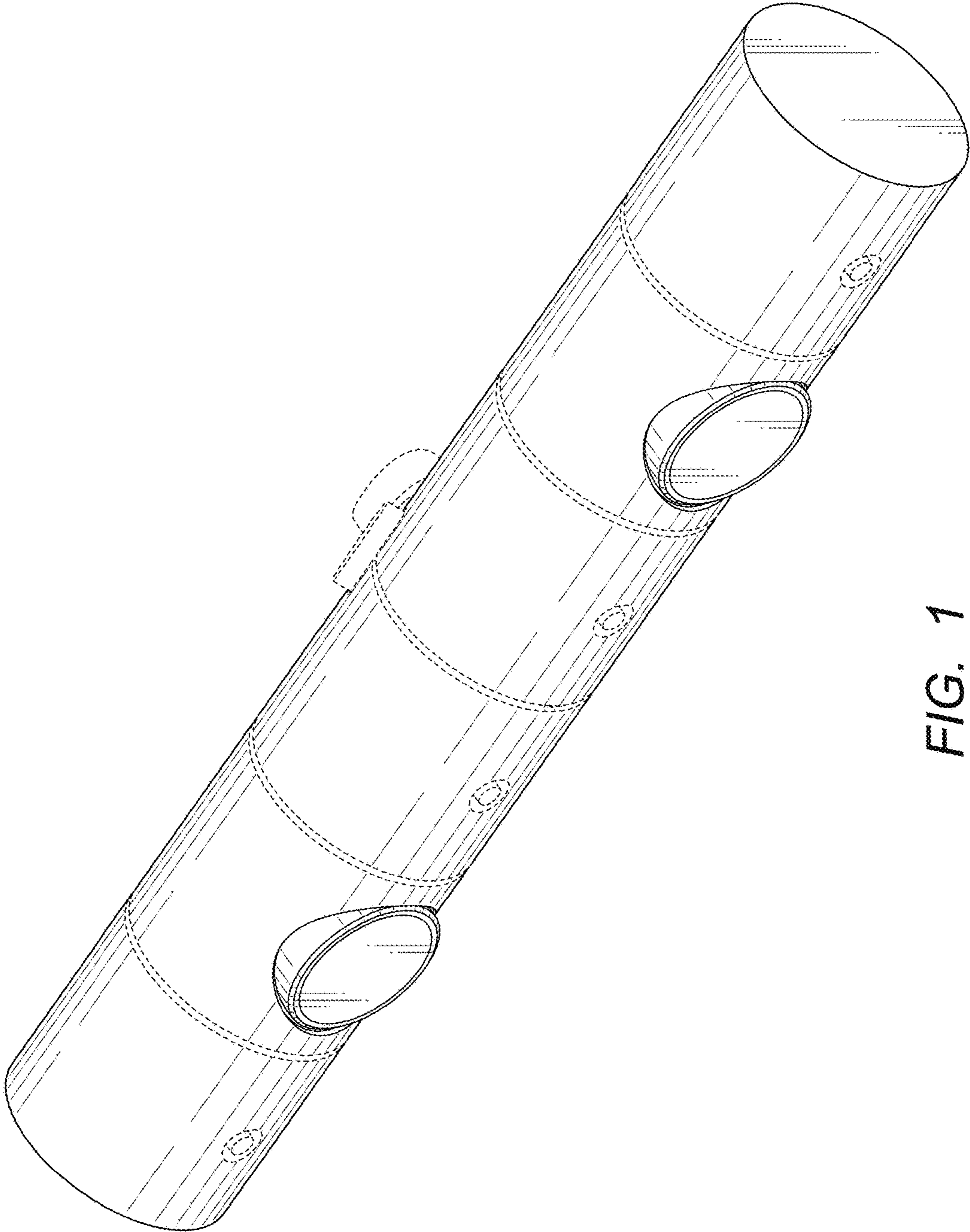


FIG. 1

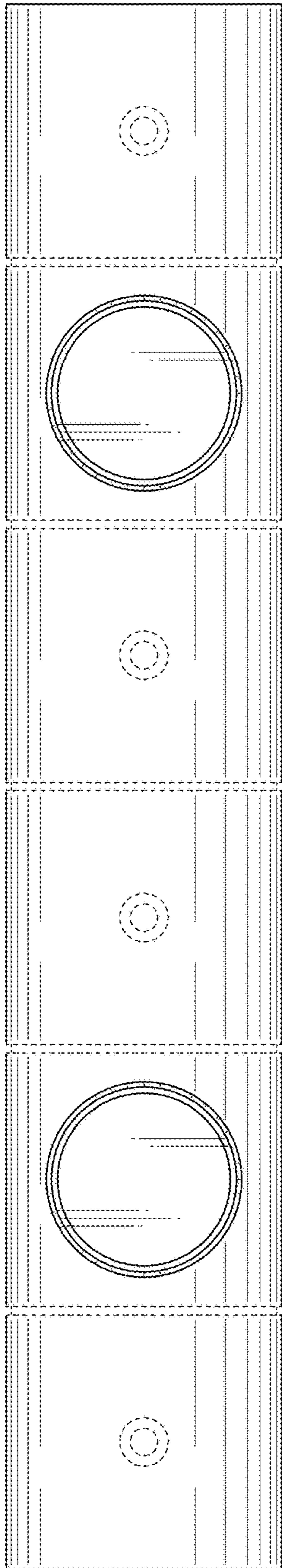


FIG. 2

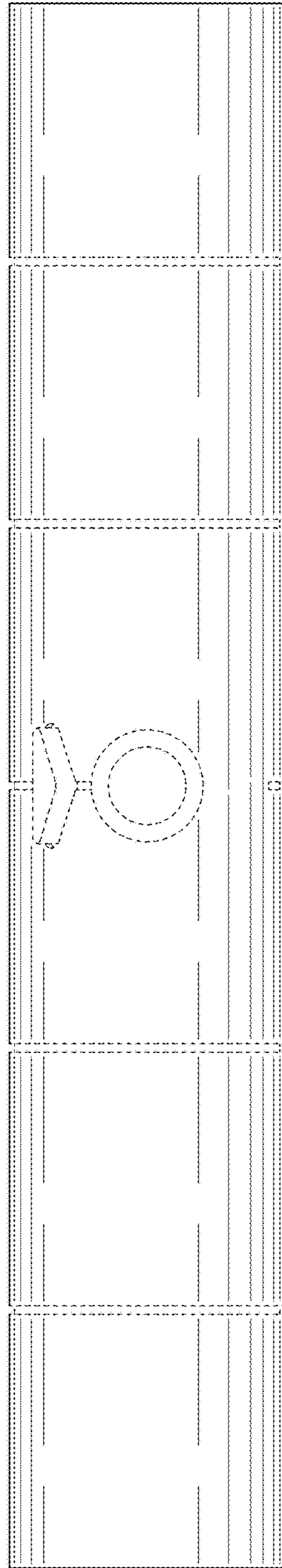


FIG. 3

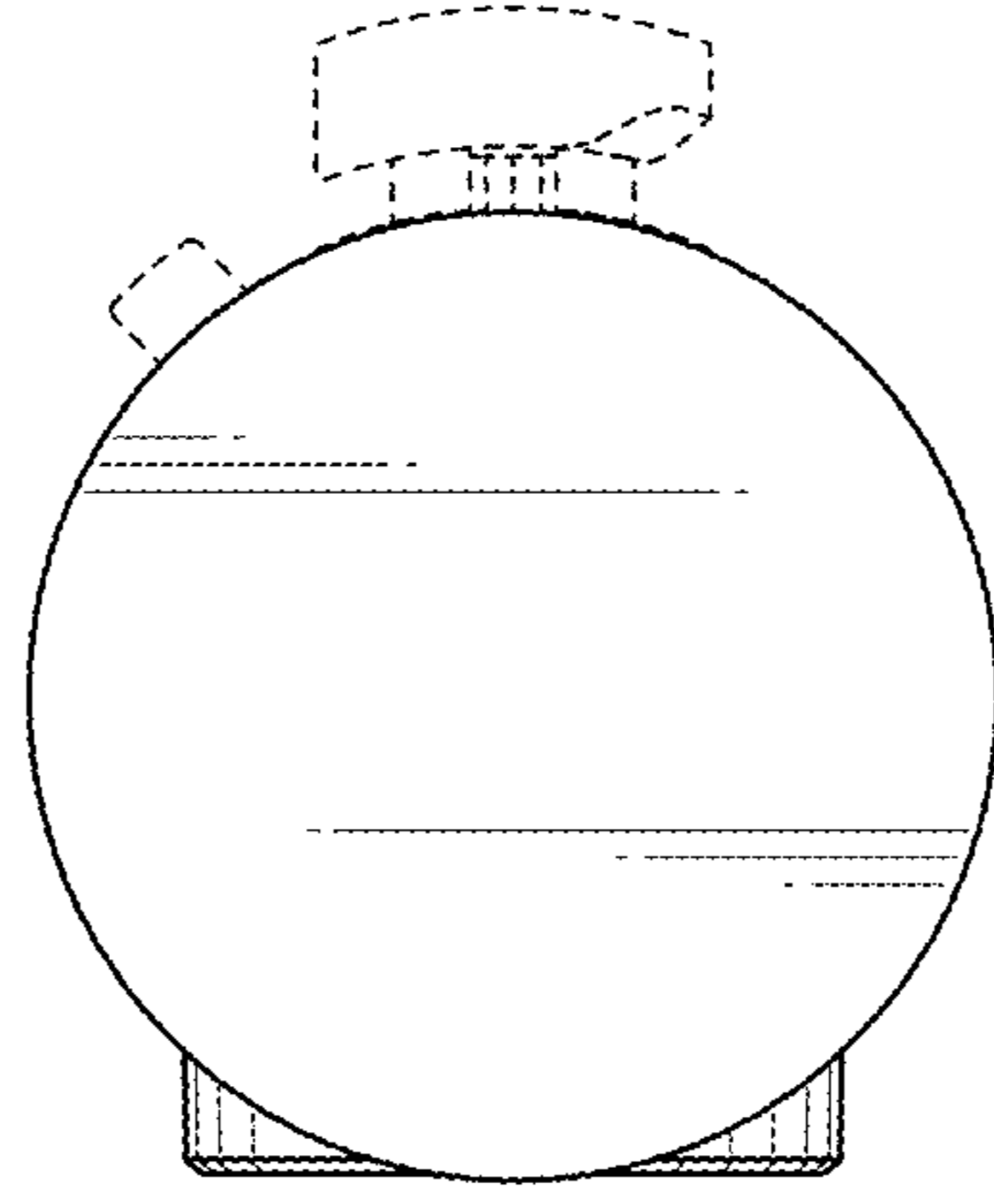


FIG. 5

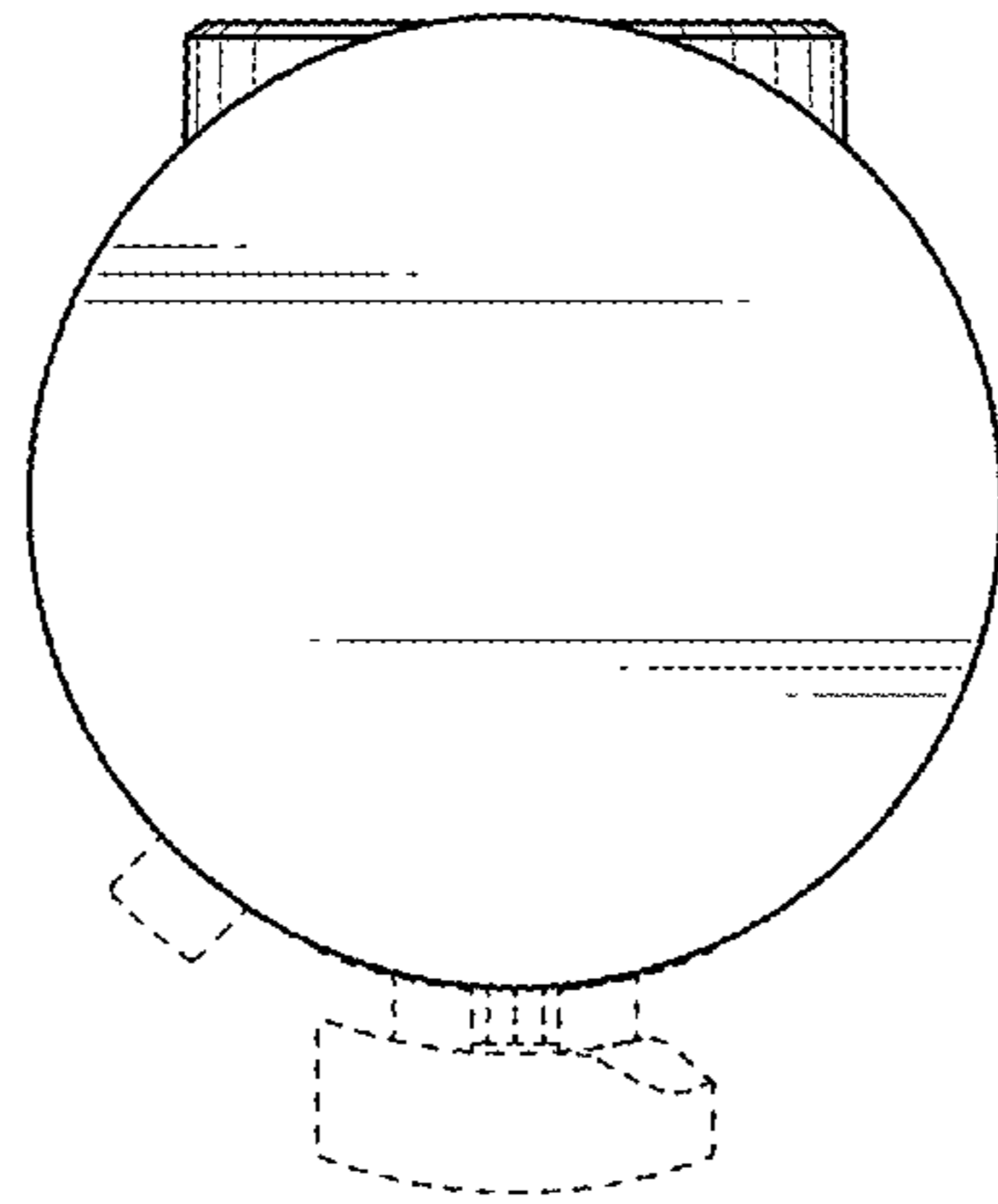


FIG. 4

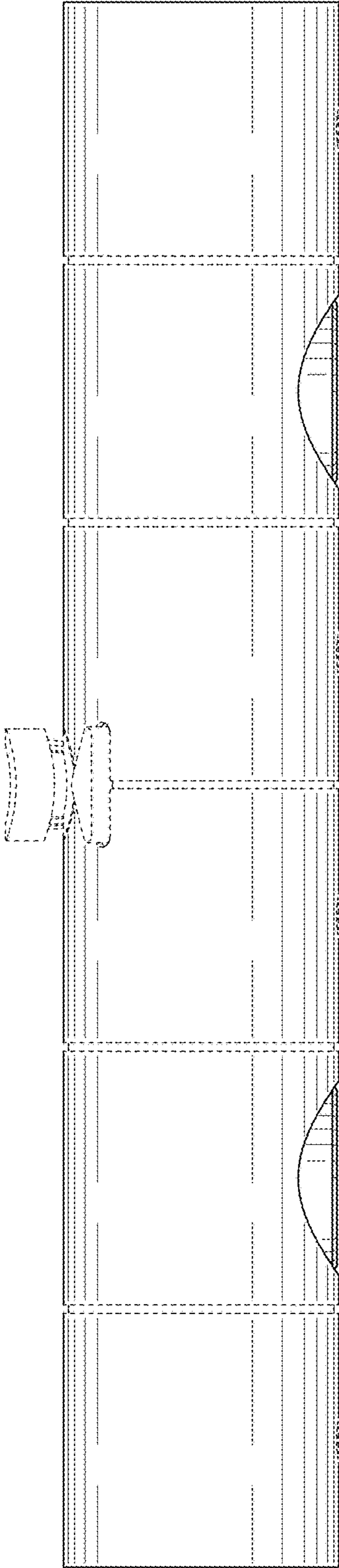


FIG. 6

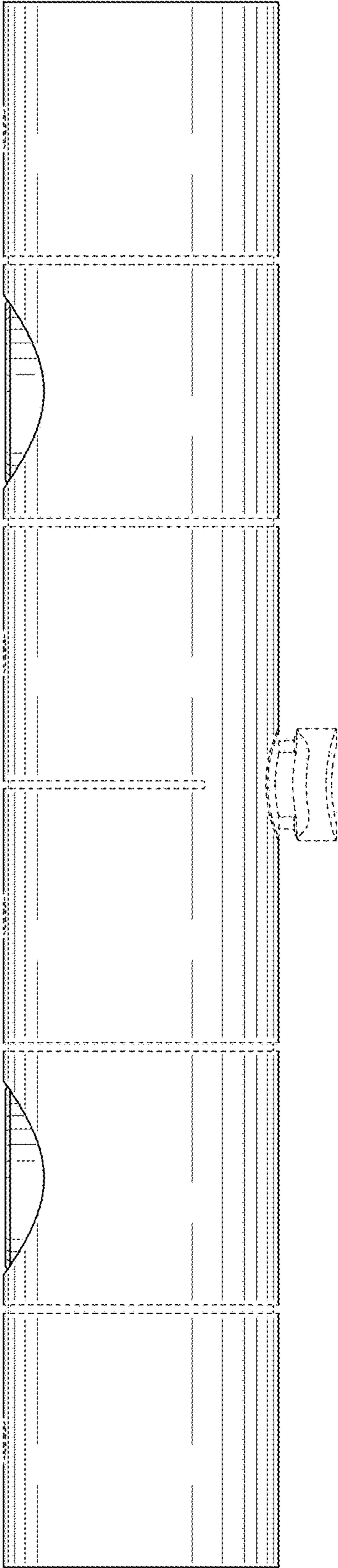


FIG. 7

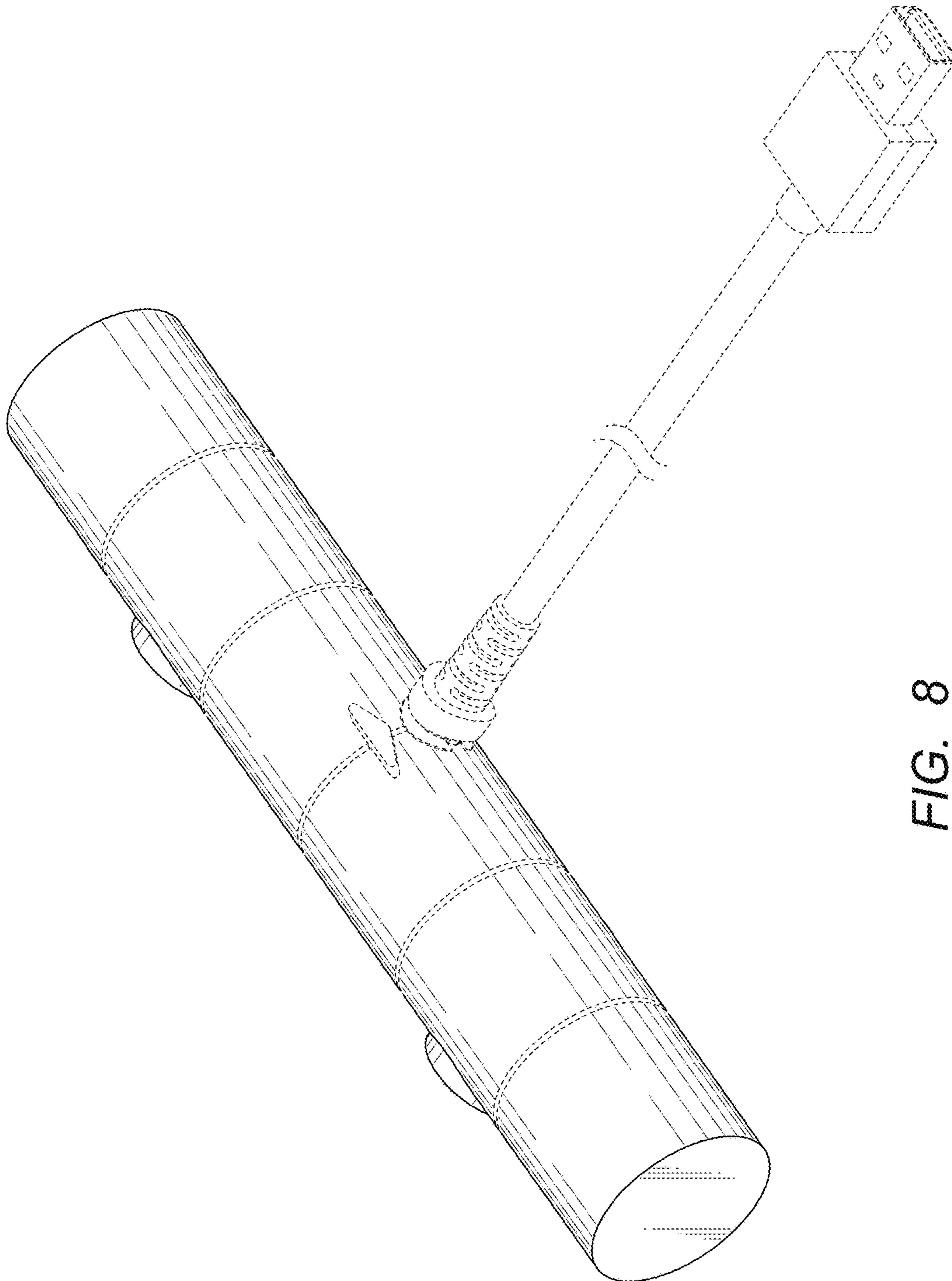


FIG. 8

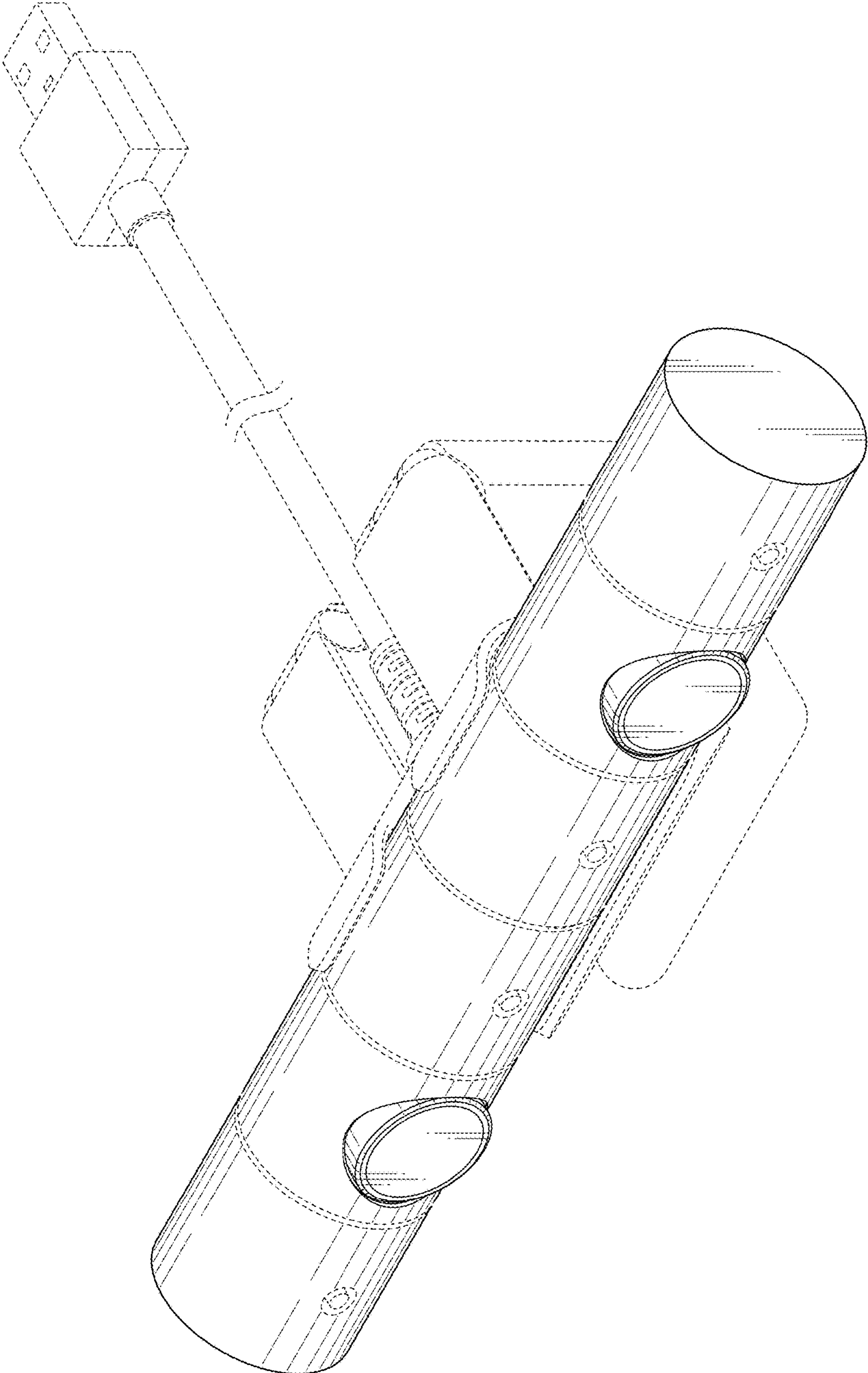


FIG. 9