



US00D811464S

(12) **United States Design Patent** (10) **Patent No.:** **US D811,464 S**  
**Masuda et al.** (45) **Date of Patent:** **\*\* Feb. 27, 2018**

(54) **VIDEO CAMERA**

(71) Applicant: **Panasonic Intellectual Property Management Co., Ltd.**, Osaka-shi, Osaka (JP)

(72) Inventors: **Kazuki Masuda**, Tokyo (JP); **Kenji Nishiwaki**, Tokyo (JP)

(73) Assignee: **PANASONIC INTELLECTUAL PROPERTY MANAGEMENT CO., LTD.**, Osaka (JP)

(\*\*) Term: **15 Years**

(21) Appl. No.: **29/572,790**

(22) Filed: **Jul. 29, 2016**

(30) **Foreign Application Priority Data**

May 31, 2016 (JP) ..... 2016-011476

(51) **LOC (11) Cl.** ..... **16-01**

(52) **U.S. Cl.**  
USPC ..... **D16/205**; D16/202; D16/239

(58) **Field of Classification Search**  
USPC ..... D16/200-220, 239, 235, 242, 250, 310, D16/136; D14/251, 138 C, 302, 129, D14/130, 496; D26/28, 36, 37, 46, 39; D29/104; D10/104.1, 50, 65, 74  
CPC ... G02B 7/02; G02B 7/04; G02B 7/14; G03B 17/00; G03B 17/14; G03B 9/08; H04N 5/2252; H04N 5/2253; H04N 5/2254; H04N 7/00; F16M 13/00

See application file for complete search history.

(56) **References Cited**

**U.S. PATENT DOCUMENTS**

D332,150 S \* 12/1992 Diorio ..... D26/37  
D342,083 S \* 12/1993 Kondoh ..... D16/202  
D342,751 S \* 12/1993 Kurokawa ..... D16/202

D346,230 S \* 4/1994 Ueda ..... D26/28  
D438,552 S \* 3/2001 Sumita ..... D16/202  
D483,781 S \* 12/2003 Granaas ..... D16/202  
D525,276 S \* 7/2006 de Leon ..... D16/239  
D528,678 S \* 9/2006 Yen ..... D26/28  
D559,879 S \* 1/2008 Sumita ..... D16/202

(Continued)

**FOREIGN PATENT DOCUMENTS**

EM 003165505-0001 \* 7/2016  
JP 1522870 S 5/2015

**OTHER PUBLICATIONS**

Panasonic Broadcast, announced Jun. 20, 2016 [online], site visited Nov. 9, 2017]. Available from Internet URL: <<https://www.youtube.com/watch?v=qHcmWQsSWJU>> at approximately 0:14.\*

(Continued)

*Primary Examiner* — Barbara Fox  
*Assistant Examiner* — Mary C Ramirez  
(74) *Attorney, Agent, or Firm* — Brinks Gilson & Lione

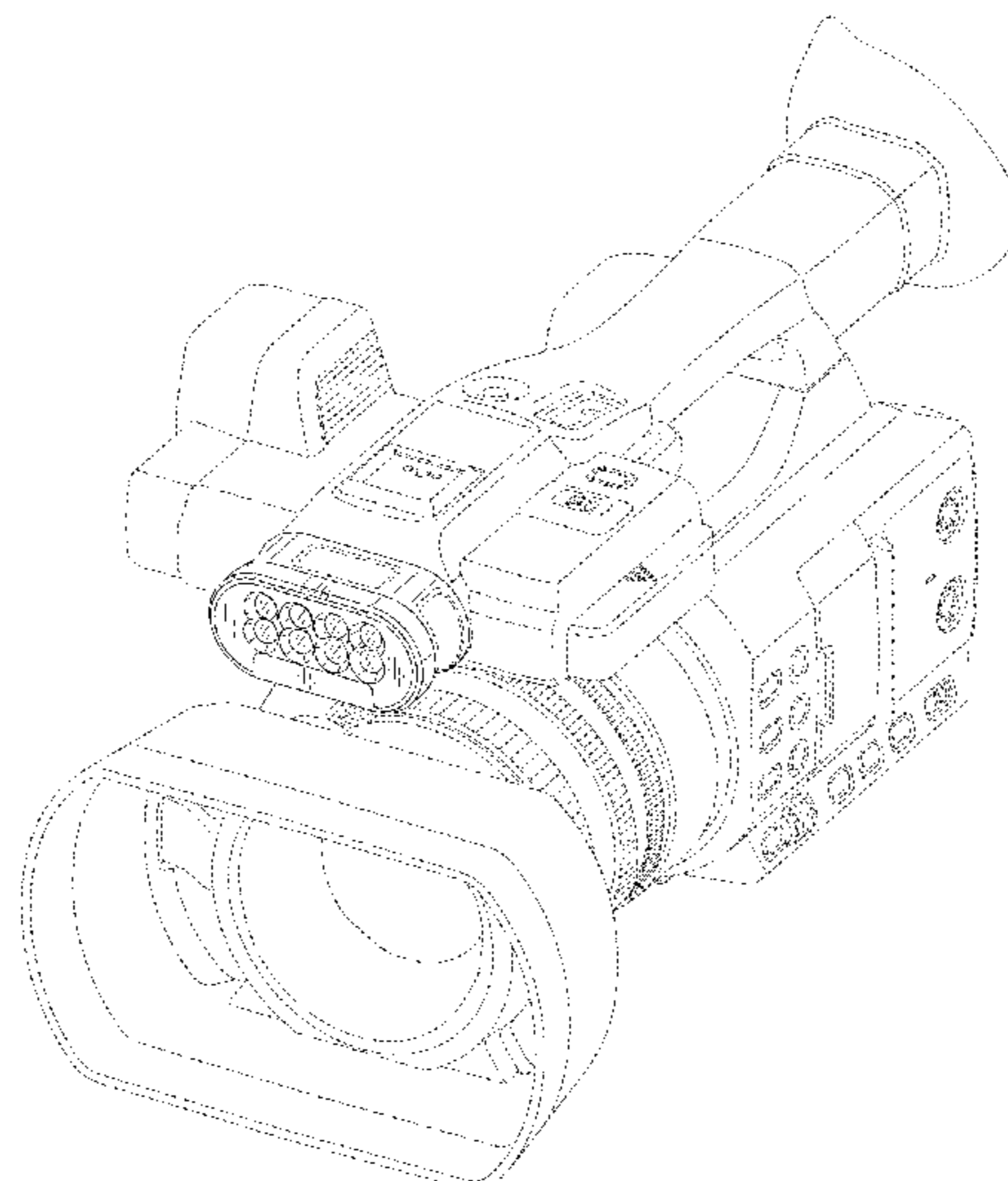
(57) **CLAIM**

We claim the ornamental design for a video camera, as shown and described.

**DESCRIPTION**

FIG. 1 is a front and top perspective view of a video camera of the present invention;  
FIG. 2 is a rear and top perspective view thereof;  
FIG. 3 is a front view thereof;  
FIG. 4 is a rear view thereof;  
FIG. 5 is a first side view thereof;  
FIG. 6 is a second side view thereof;  
FIG. 7 is a top view thereof; and,  
FIG. 8 is a bottom view thereof.  
The broken lines shown in the drawings depict portions of the video camera that form no part of the claimed design.

**1 Claim, 8 Drawing Sheets**



(56)

References Cited

2008/0252752 A1\* 10/2008 Kosaka ..... H04N 5/2252  
348/231.99

U.S. PATENT DOCUMENTS

D574,027 S \* 7/2008 Miyazaki ..... D16/202  
D589,547 S \* 3/2009 Yamada ..... D16/202  
D631,586 S \* 1/2011 Li ..... D26/37  
D678,564 S \* 3/2013 Janssen ..... D26/28  
D679,434 S \* 4/2013 Conroy ..... D26/39  
D703,723 S \* 4/2014 Soejima ..... D16/239  
D717,979 S \* 11/2014 Ueda ..... D26/28  
D718,363 S \* 11/2014 Yamauchi ..... D16/239  
D719,203 S 12/2014 Horiki et al.  
D723,201 S \* 2/2015 Windom ..... D26/39  
D723,202 S \* 2/2015 Windom ..... D26/39  
D734,521 S \* 7/2015 Gebhard ..... D26/63  
D734,806 S \* 7/2015 Boerup ..... D16/237  
D734,887 S \* 7/2015 Gebhard ..... D26/63  
D747,018 S \* 1/2016 Hansen ..... D26/28  
D802,189 S \* 11/2017 Windom ..... D26/39  
2008/0239142 A1\* 10/2008 Suzuki ..... G03B 17/02  
348/376

OTHER PUBLICATIONS

Panasonic AG-AC30 Camcorder, announced Sep. 20, 2016 [online],  
site visited Nov. 9, 2017], Available from Internet URL: <[https://www.bhphotovideo.com/bnh/controller/home?A=details&O=&Q=&ap=y&c3api=1876%2C%7Bcreative%7D%2C%7Bkeyword%7D&gclid=EAlalQobChMls7iq\\_e-v1wlVVbbACh1tfwl3EAVYASABEgLJHPD\\_BwE&is=REG&m=Y&sku=1263853](https://www.bhphotovideo.com/bnh/controller/home?A=details&O=&Q=&ap=y&c3api=1876%2C%7Bcreative%7D%2C%7Bkeyword%7D&gclid=EAlalQobChMls7iq_e-v1wlVVbbACh1tfwl3EAVYASABEgLJHPD_BwE&is=REG&m=Y&sku=1263853)>.\*  
Sima Universal LED, announced Jun. 1, 2010 [online], site visited  
Nov. 9, 2017], Available from Internet URL: <<https://www.amazon.com/Sima-Universal-LED-camcorder-Light/dp/B002K8UBTK>>.\*

\* cited by examiner

FIG. 1

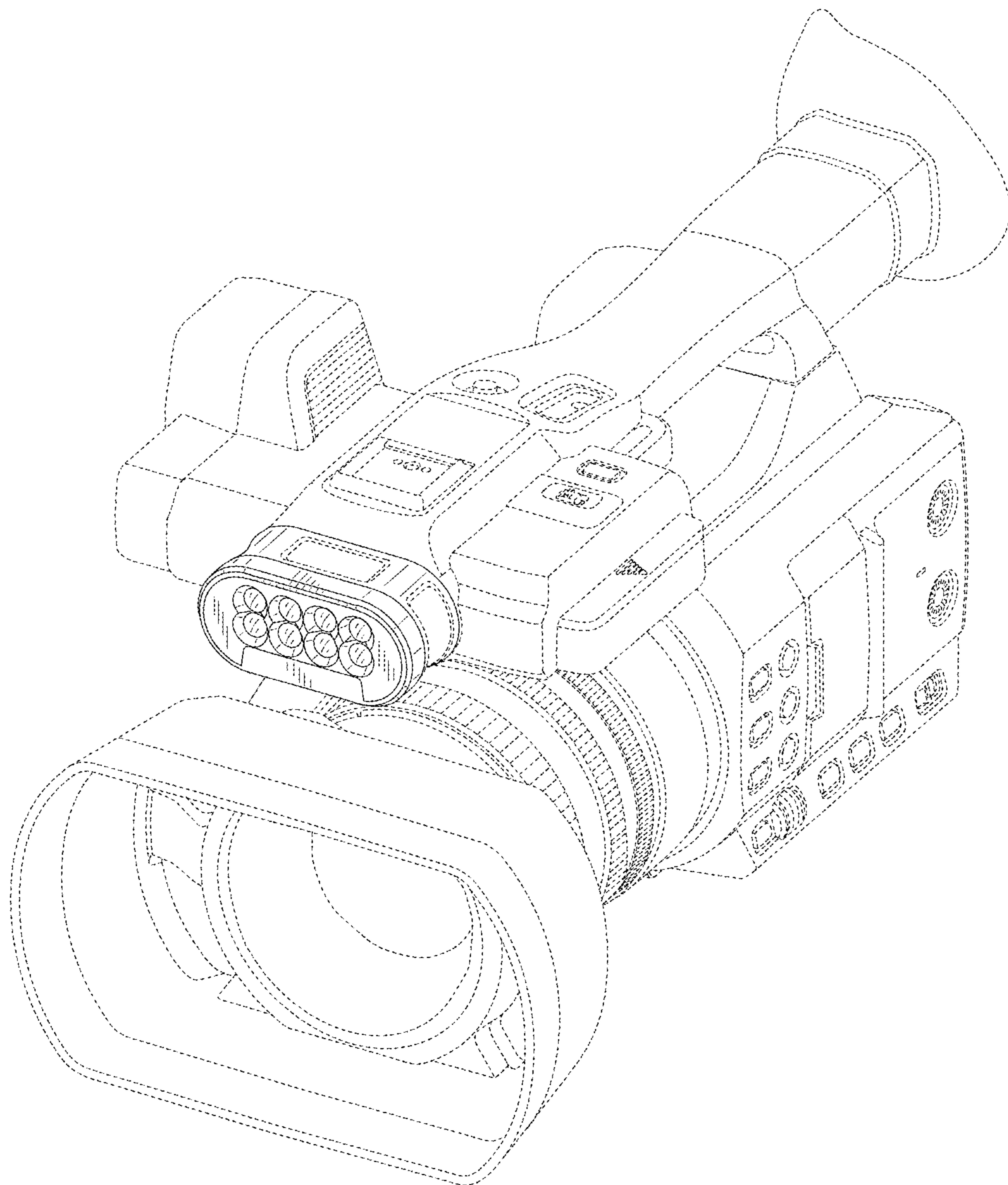


FIG. 2

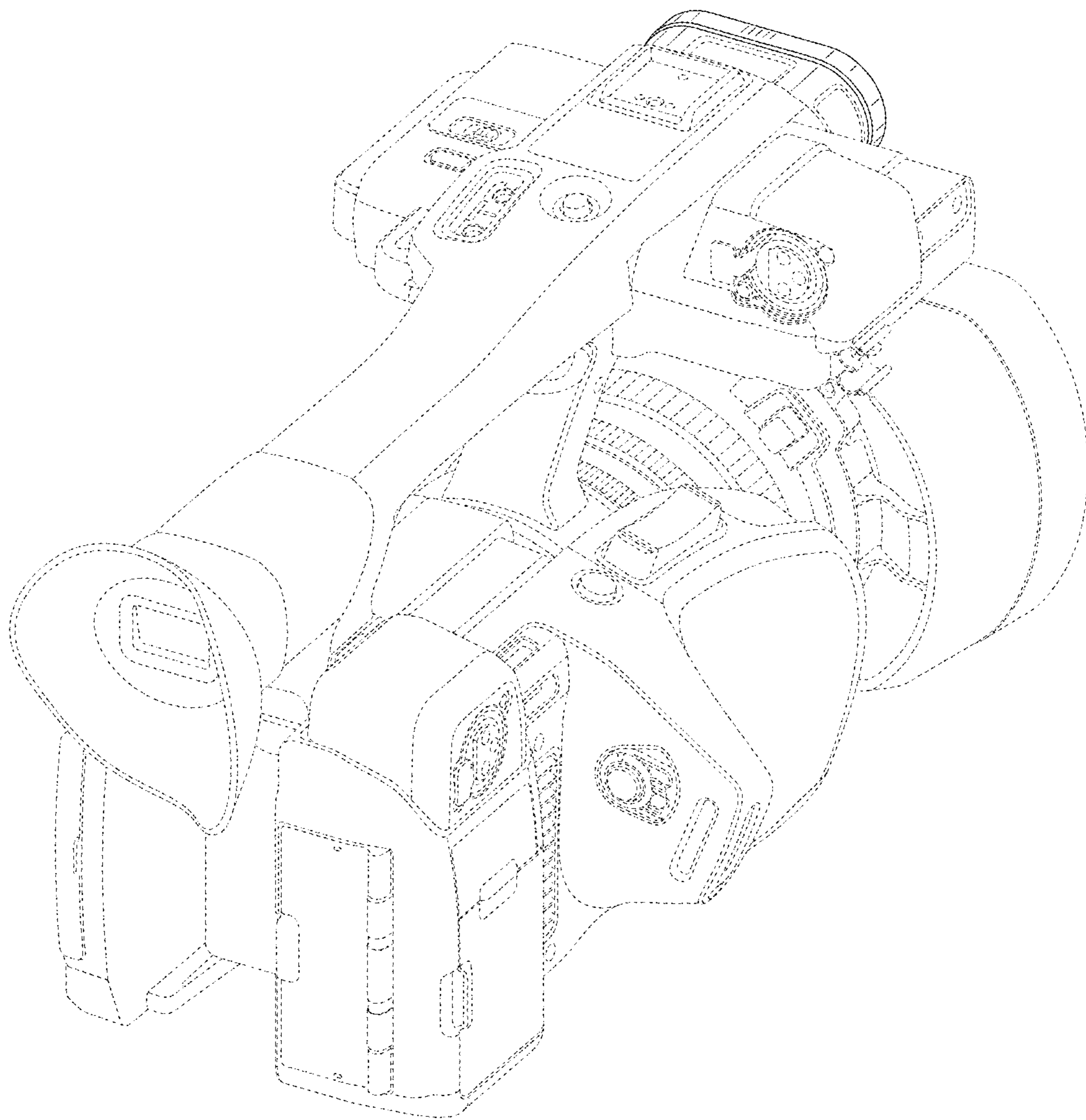


FIG. 3

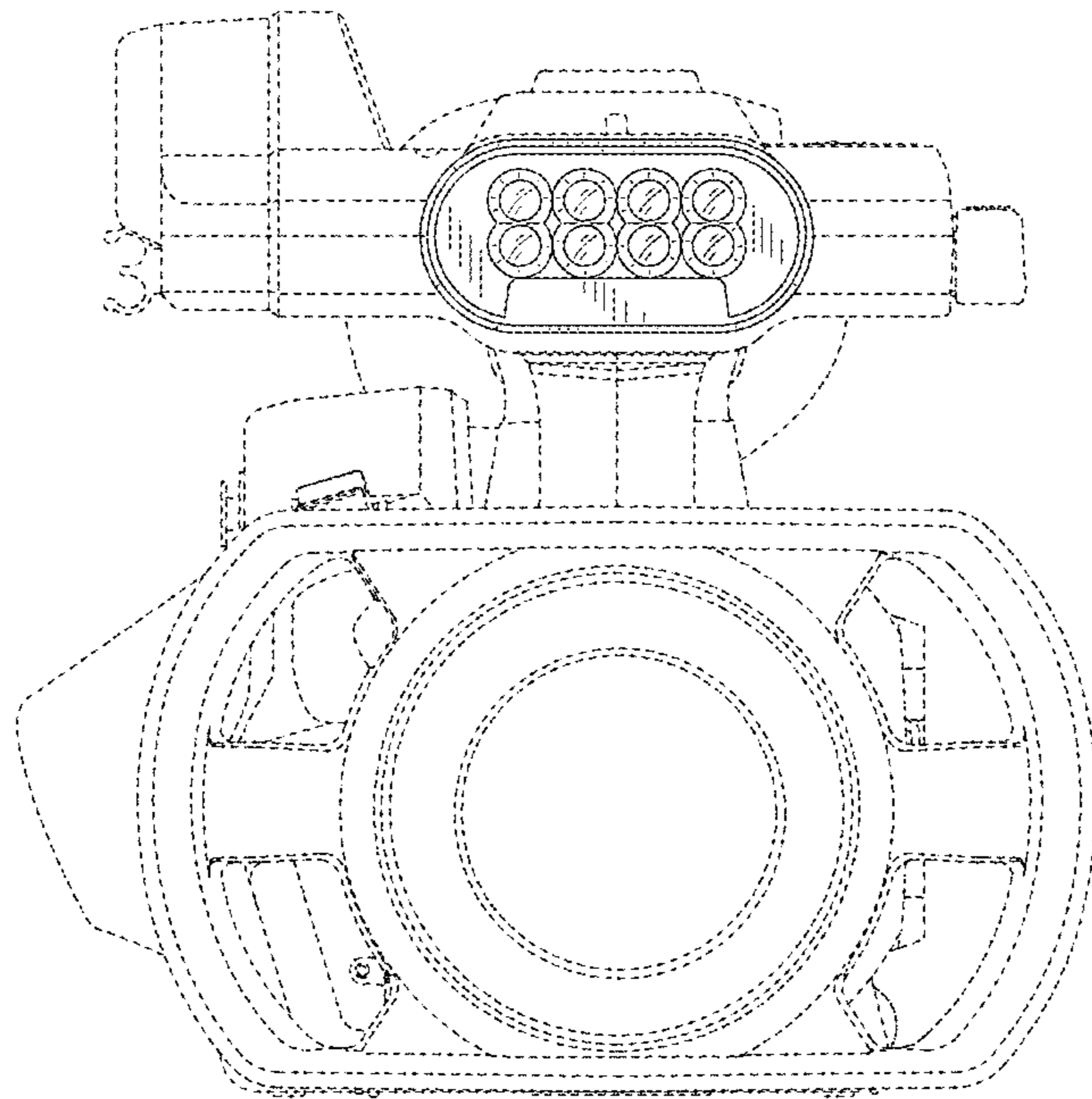


FIG. 4

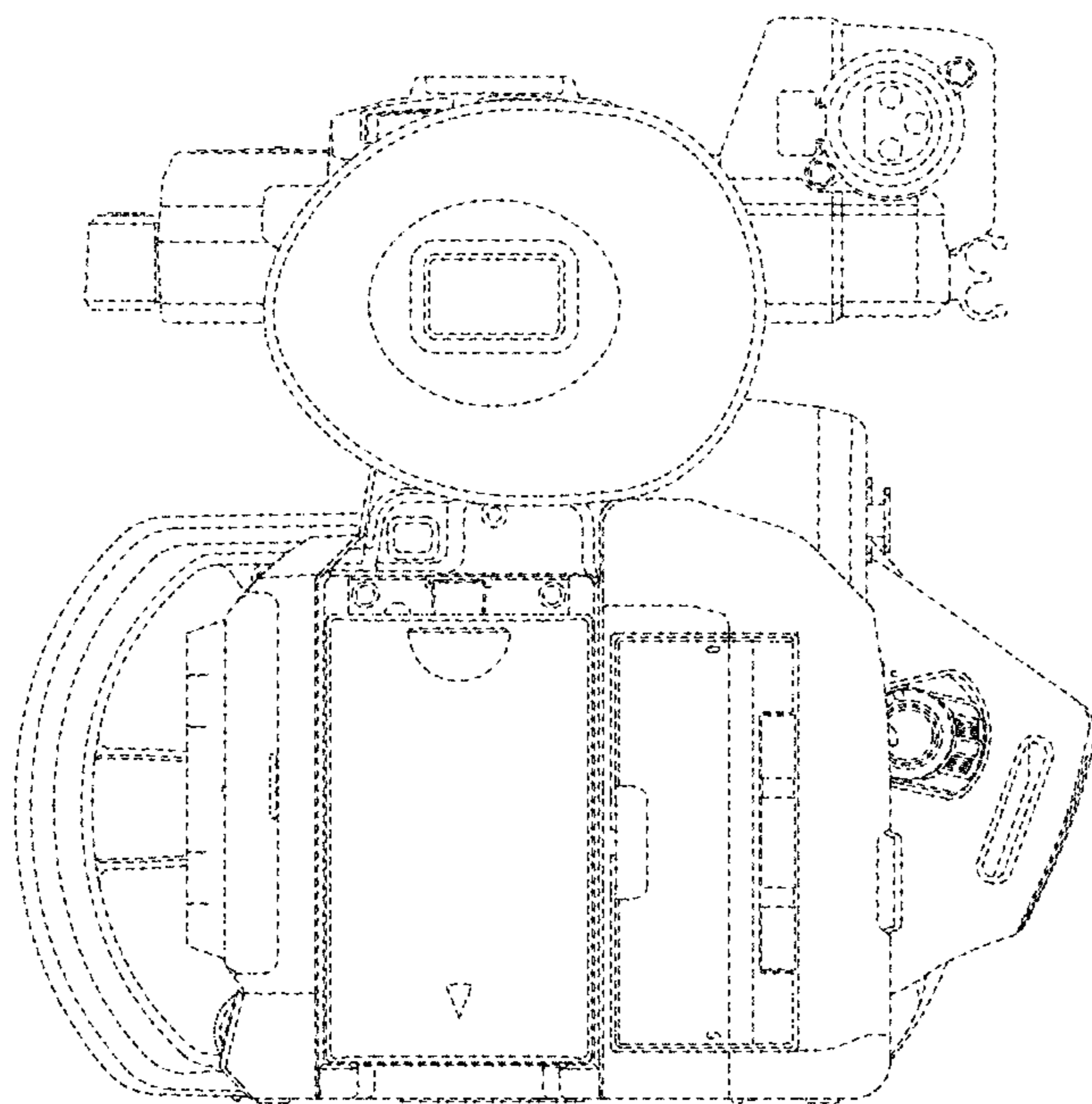


FIG. 5

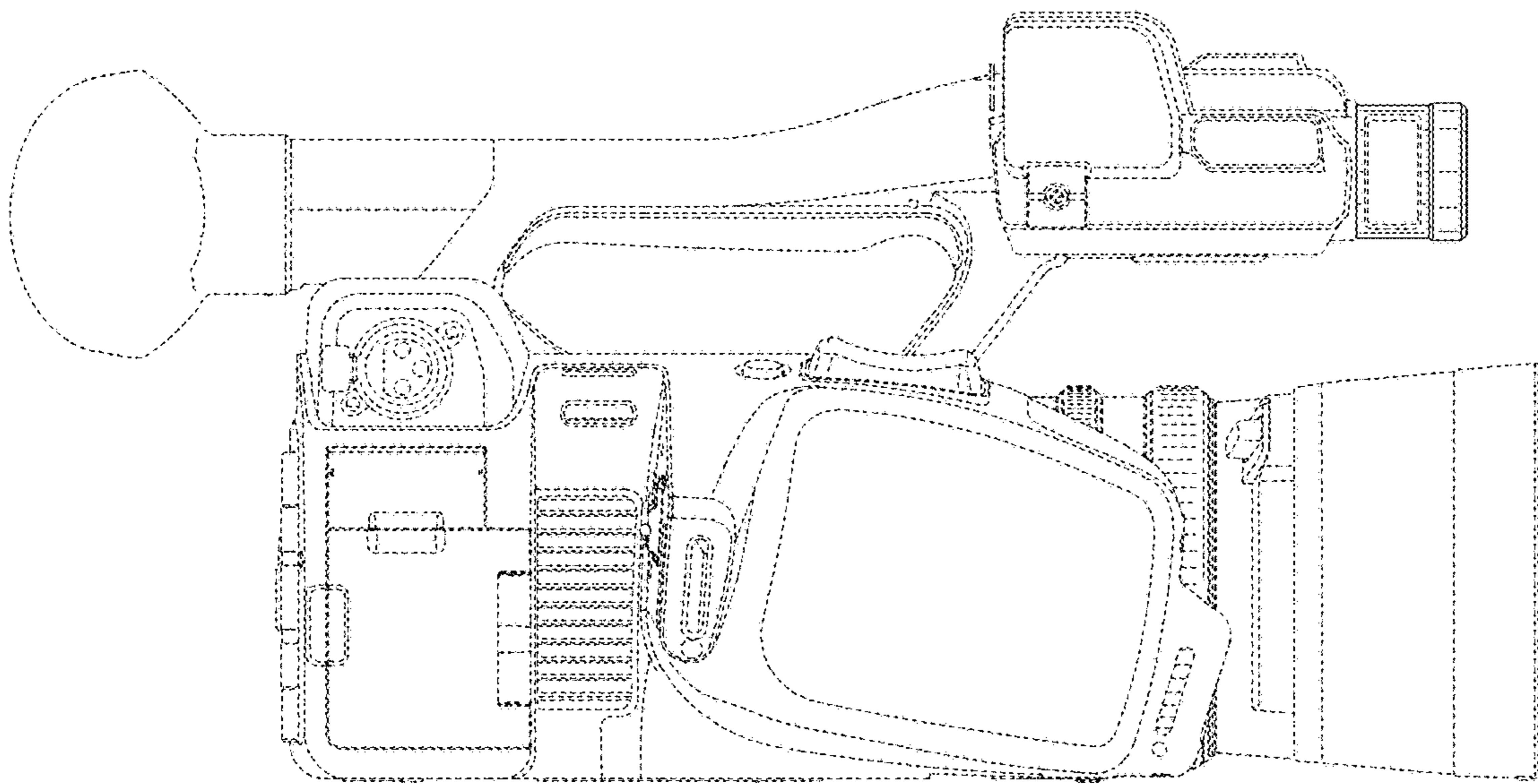


FIG. 6

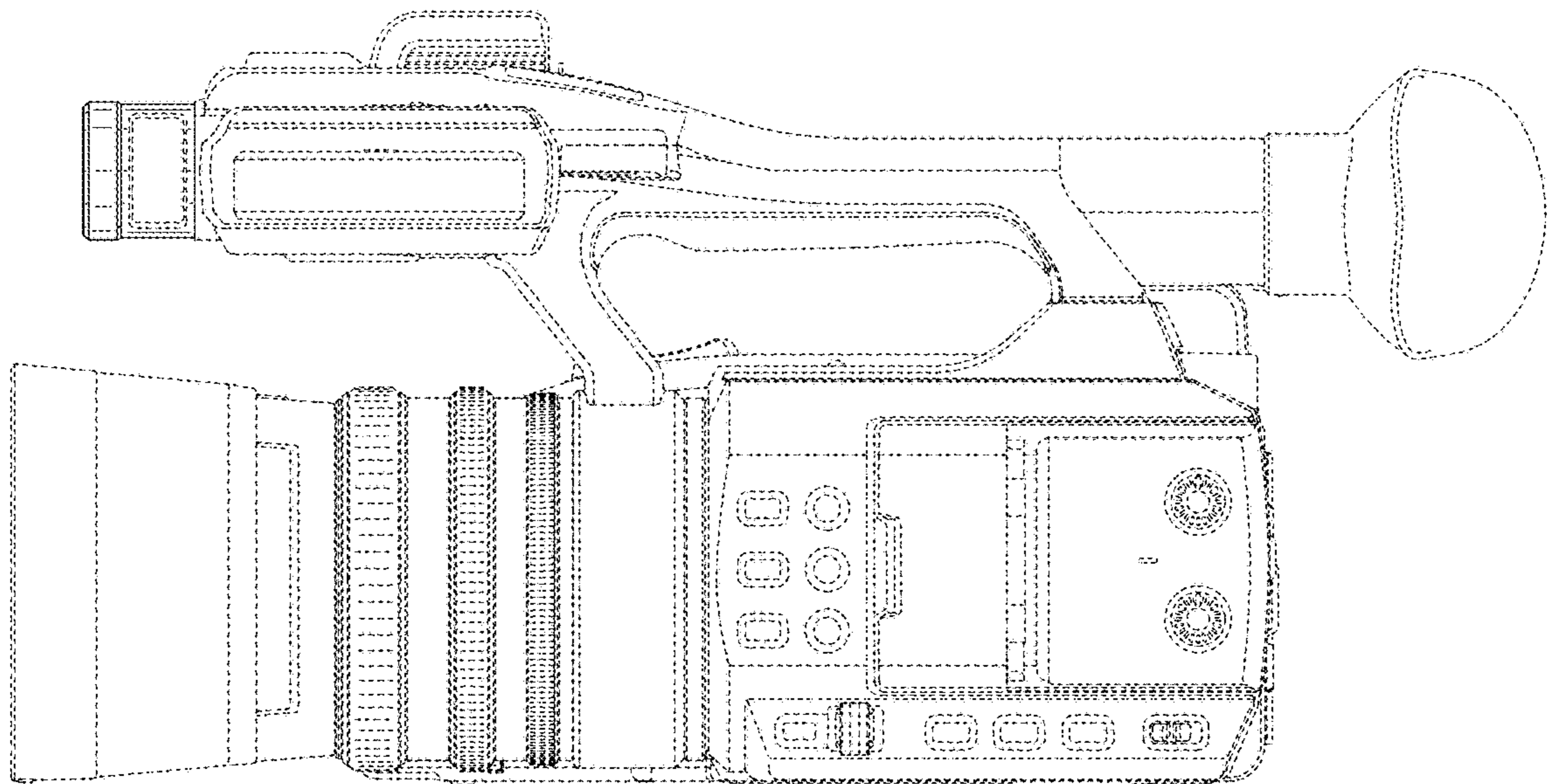




FIG. 7

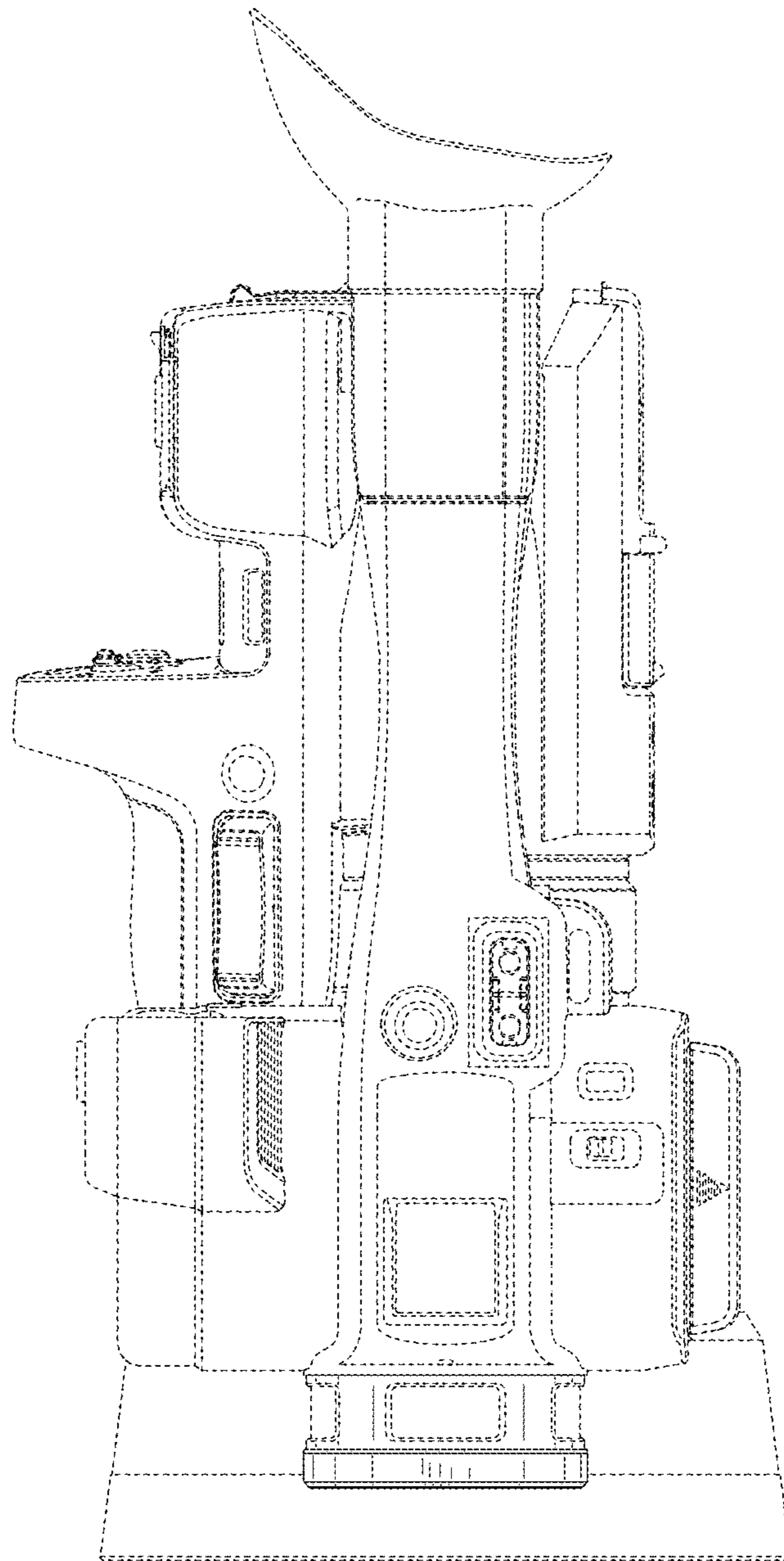


FIG. 8

