



US00D811463S

(12) **United States Design Patent** (10) **Patent No.:** **US D811,463 S**  
**Kim** (45) **Date of Patent:** **\*\* Feb. 27, 2018**

(54) **MOBILE CCTV**  
(71) Applicant: **TOVNET Co., Ltd.**, Seoul (KR)  
(72) Inventor: **Chan Young Kim**, Seoul (KR)  
(73) Assignee: **TOVNET CO., LTD.**, Seoul (KR)  
(\*\*) Term: **15 Years**

D463,584 S \* 9/2002 Yim ..... D26/2  
D500,872 S \* 1/2005 Foo ..... D26/2  
D636,905 S \* 4/2011 Leahy ..... D26/2  
D638,574 S \* 5/2011 Kling ..... D26/142  
D646,801 S \* 10/2011 Chou ..... D26/2  
D688,397 S \* 8/2013 Tsai ..... D26/2  
D740,873 S \* 10/2015 Scalisi ..... D16/203  
D744,571 S \* 12/2015 Stark ..... D16/203  
D745,587 S \* 12/2015 Leung ..... D16/203

(Continued)

(21) Appl. No.: **29/579,203**  
(22) Filed: **Sep. 28, 2016**  
(51) **LOC (11) Cl.** ..... **16-01**  
(52) **U.S. Cl.**  
USPC ..... **D16/203**

**FOREIGN PATENT DOCUMENTS**

KR 300891369 \* 1/2017

(58) **Field of Classification Search**  
USPC ..... D16/200–220, 229, 230, 242, 244, 245,  
D16/238, 225; D14/496, 203.1, 203.3,  
D14/203.7, 240, 356, 358; D28/41;  
D1/109, 107, 106; D2/868, 869, 883,  
D2/884, 894, 895, 873; D29/122;  
D12/400; D11/158, 224, 181, 239, 31,  
D11/49, 82, 100, 128, 157; D21/617,  
D21/618, 611, 620, 652, 654, 656, 655  
CPC ..... H04N 7/181; H04N 7/183; H04N 7/18;  
H04N 3/08; H04N 5/23248; H04N  
5/23287; H04N 5/23258; H04N 5/2251;  
H04N 5/2252; H04N 2007/145; H04N  
7/00; G01C 11/025; G02B 5/00; G03B  
15/00; G03B 15/03; G03B 17/56; G03B  
17/02; G03B 17/30; G03B 17/04; G03B  
17/00; G03B 19/04; G03B 3/00; B60R  
1/00; B60R 2300/105; G08B 13/19619;  
G08B 13/1963; G08B 13/19632; G08B  
13/19621; F16M 11/04; F16M 13/00;  
Y02E 60/12

**OTHER PUBLICATIONS**

Tovnet, announced Jul. 13, 2017 [online], [site visited Aug. 18, 2017] Available from Internet URL: <<https://www.kickstarter.com/projects/436328571/tovnet-worlds-first-light-bulb-wifi-security-camer/updates>>.\*

*Primary Examiner* — Barbara Fox  
*Assistant Examiner* — Mary C Ramirez  
(74) *Attorney, Agent, or Firm* — John K. Park; Park Law Firm

See application file for complete search history.

(57) **CLAIM**

The ornamental design for a mobile CCTV, as shown and described.

(56) **References Cited**

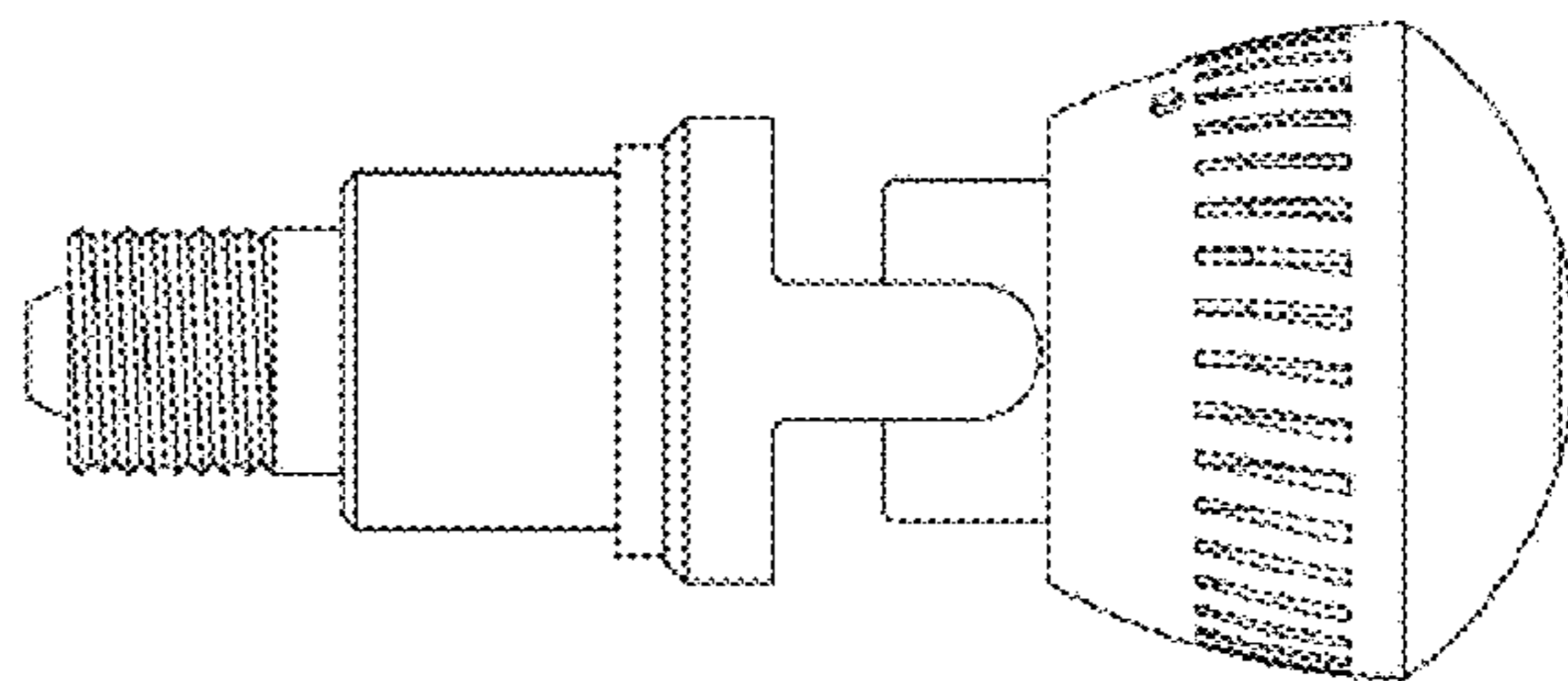
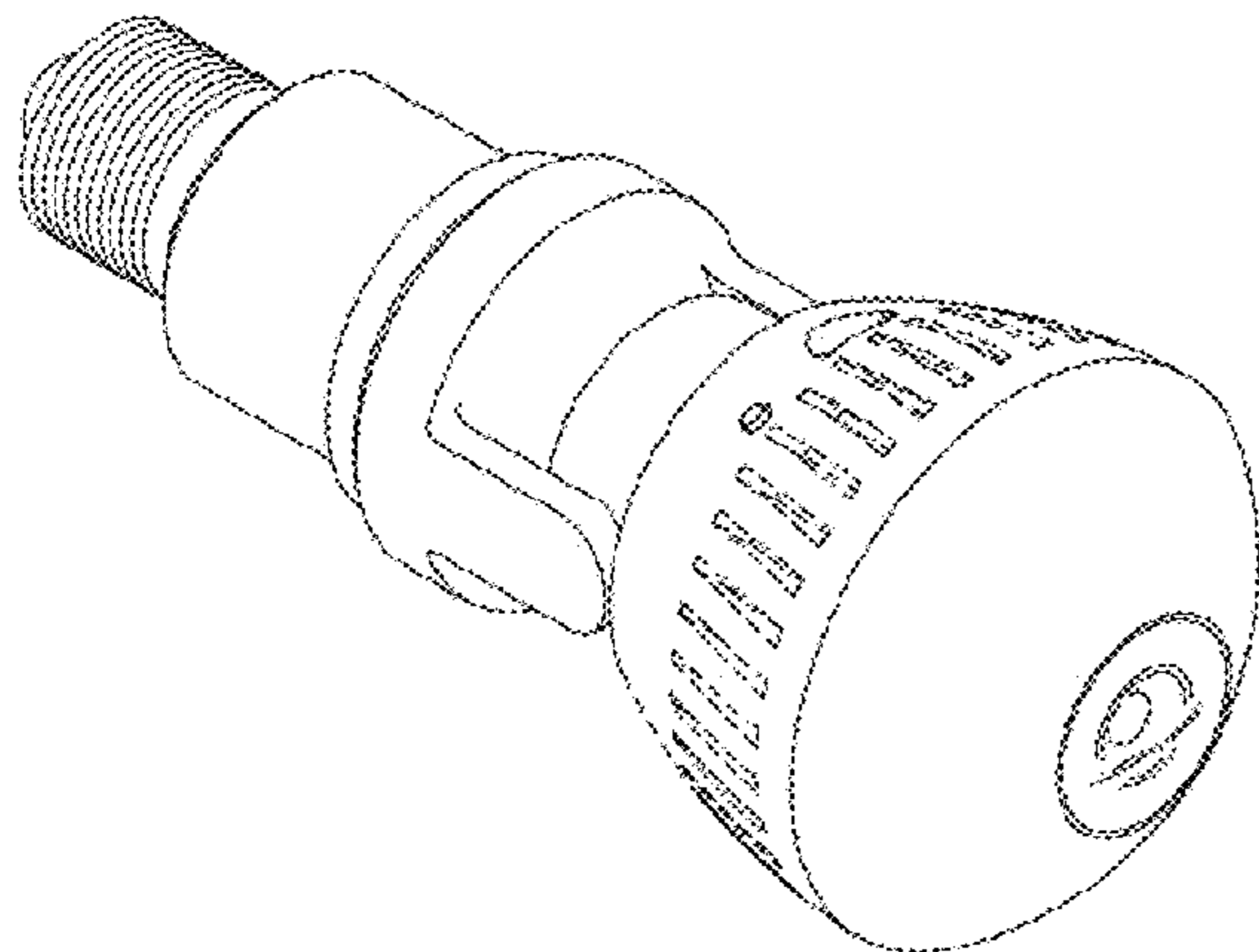
**U.S. PATENT DOCUMENTS**

D435,576 S \* 12/2000 McBride ..... D16/203  
D435,577 S \* 12/2000 McBride ..... D16/203

**DESCRIPTION**

FIG. 1 is a perspective view of a mobile CCTV showing my new design;  
FIG. 2 is a front elevational view thereof;  
FIG. 3 is a rear elevational view thereof;  
FIG. 4 is a side elevational view thereof;  
FIG. 5 is another side elevational view thereof;  
FIG. 6 is a top plan view thereof; and,  
FIG. 7 is a bottom plan view thereof.  
The broken lines shown in the drawings depict portions of the mobile CCTV that form no part of the claimed design.

**1 Claim, 4 Drawing Sheets**



(56)

**References Cited**

U.S. PATENT DOCUMENTS

D749,161 S *	2/2016	Scalisi .....	D16/203
D761,342 S *	7/2016	Kim .....	D16/203
D768,223 S *	10/2016	Wu .....	D16/203
2011/0156566 A1 *	6/2011	Chen .....	F21K 9/233 313/46
2013/0050495 A1 *	2/2013	Chen .....	H04N 7/183 348/151
2015/0077555 A1 *	3/2015	Scalisi .....	H04N 5/23206 348/143

\* cited by examiner

Fig. 1

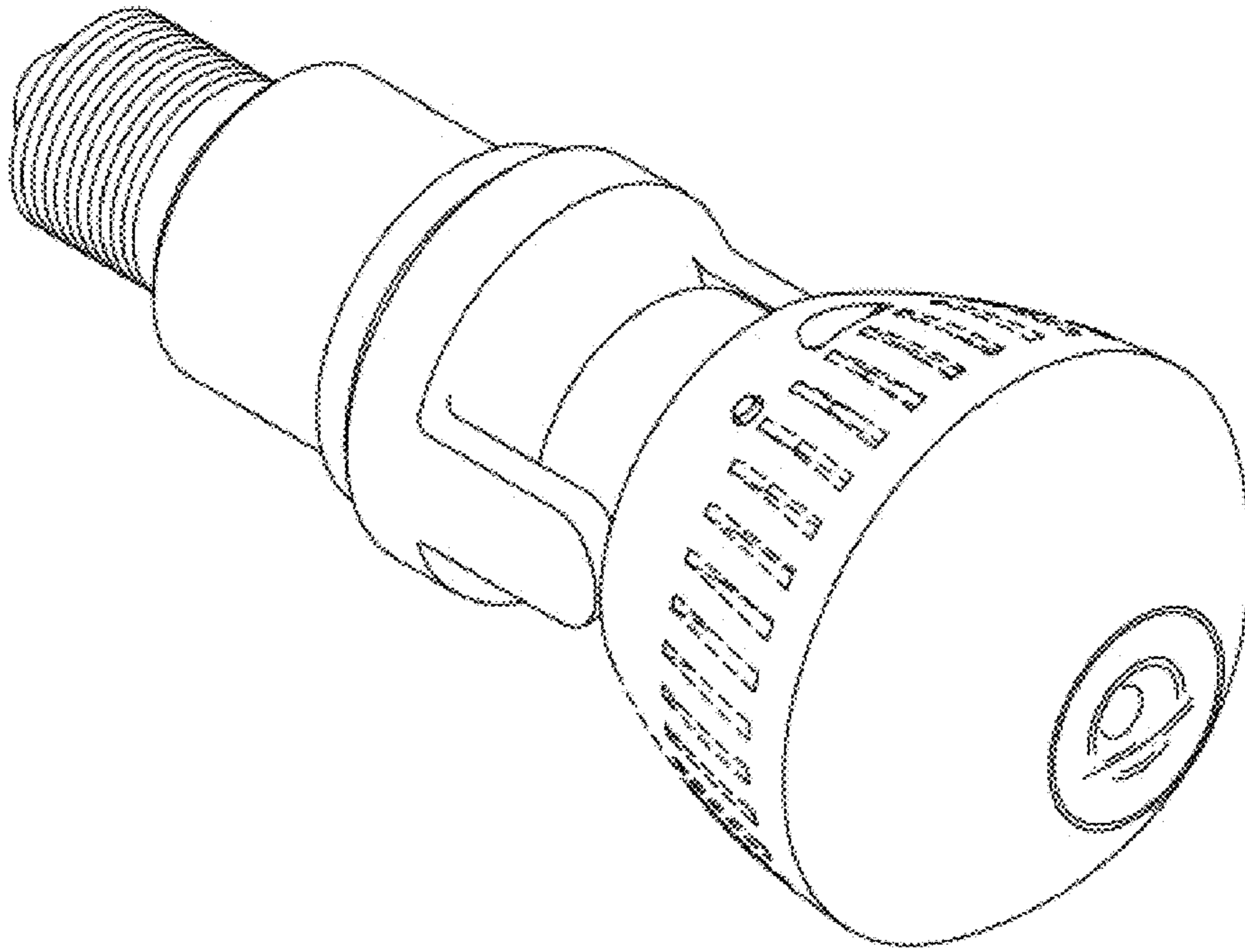


Fig. 2

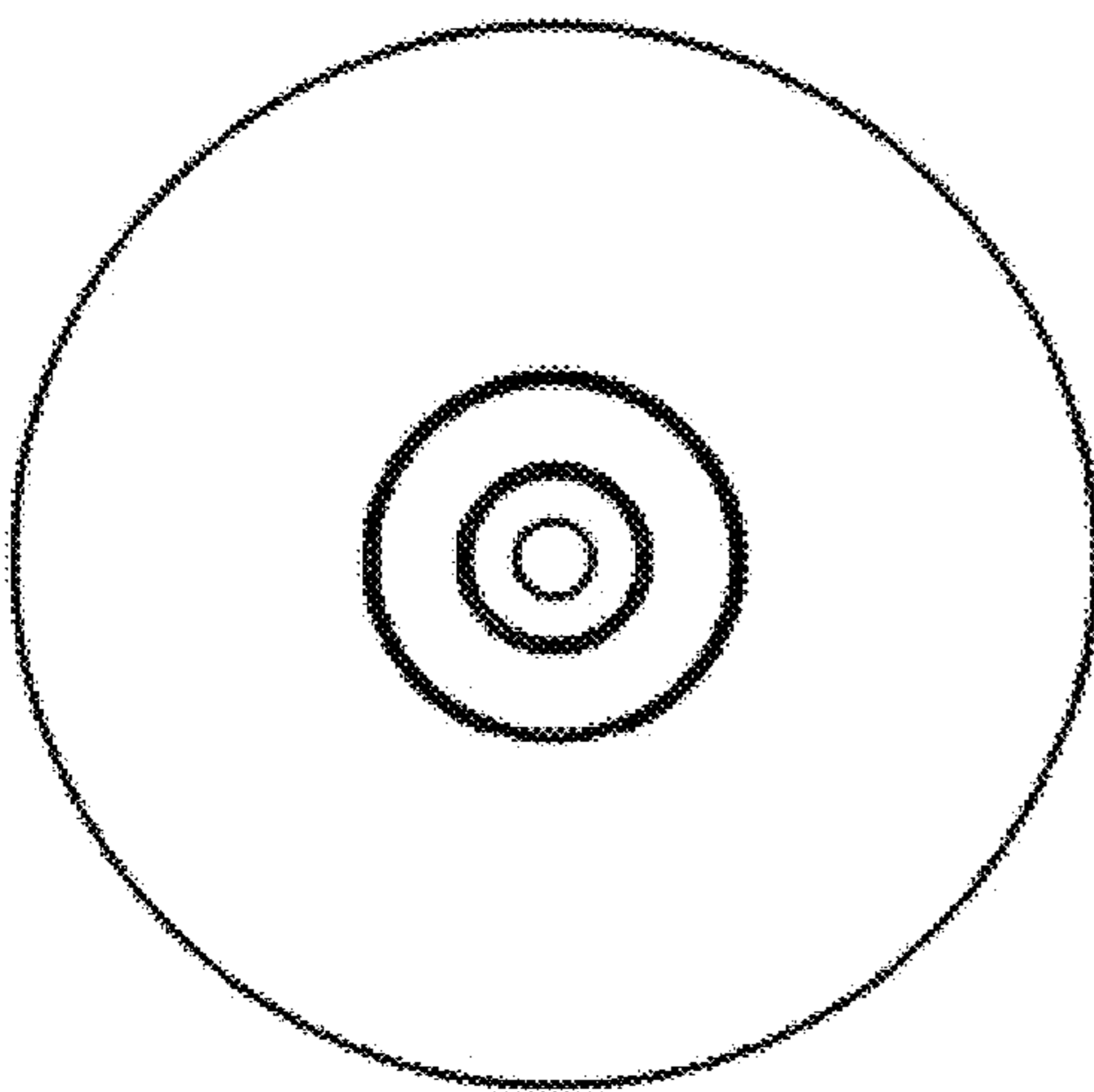


Fig. 3

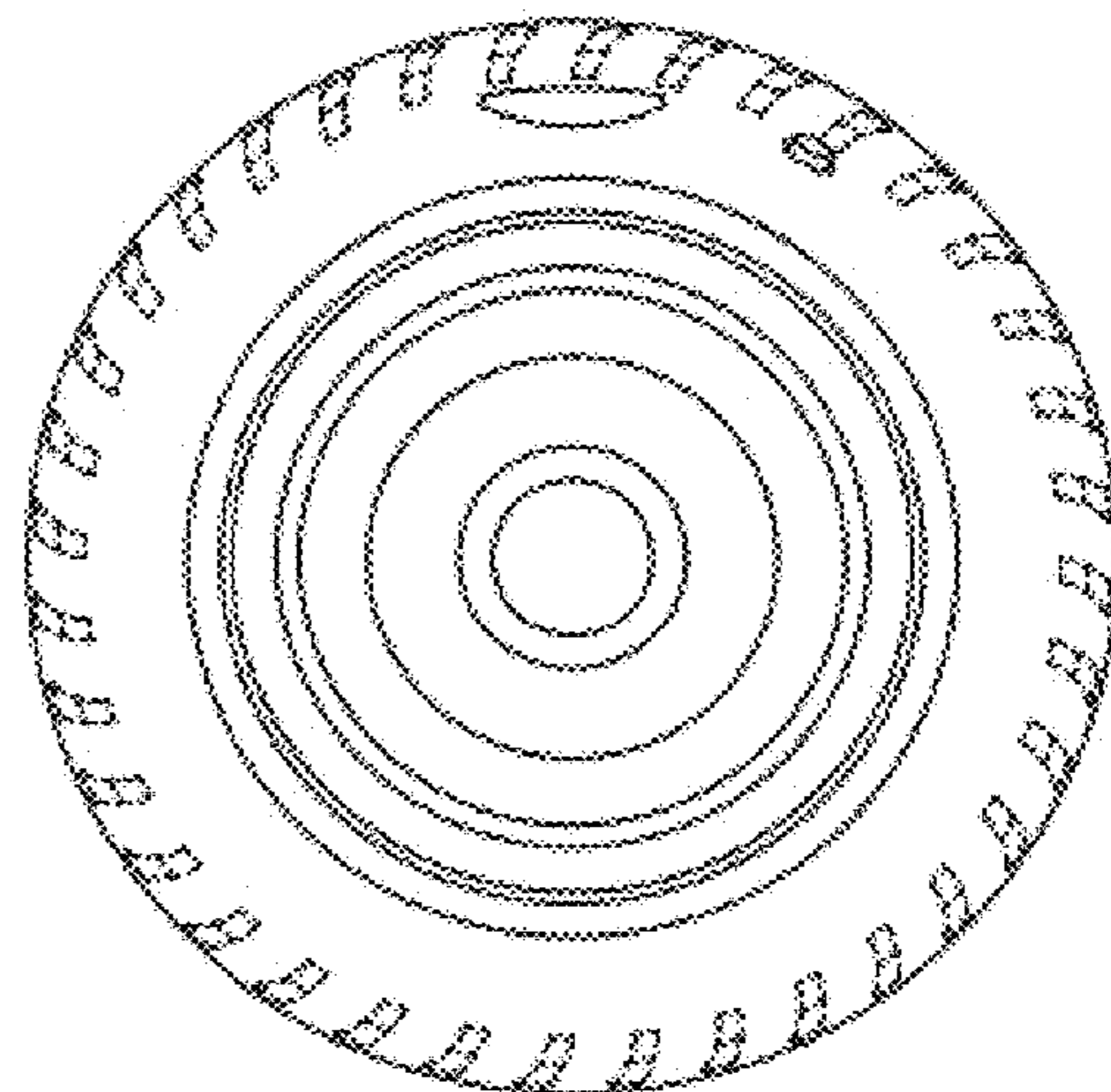


Fig. 4

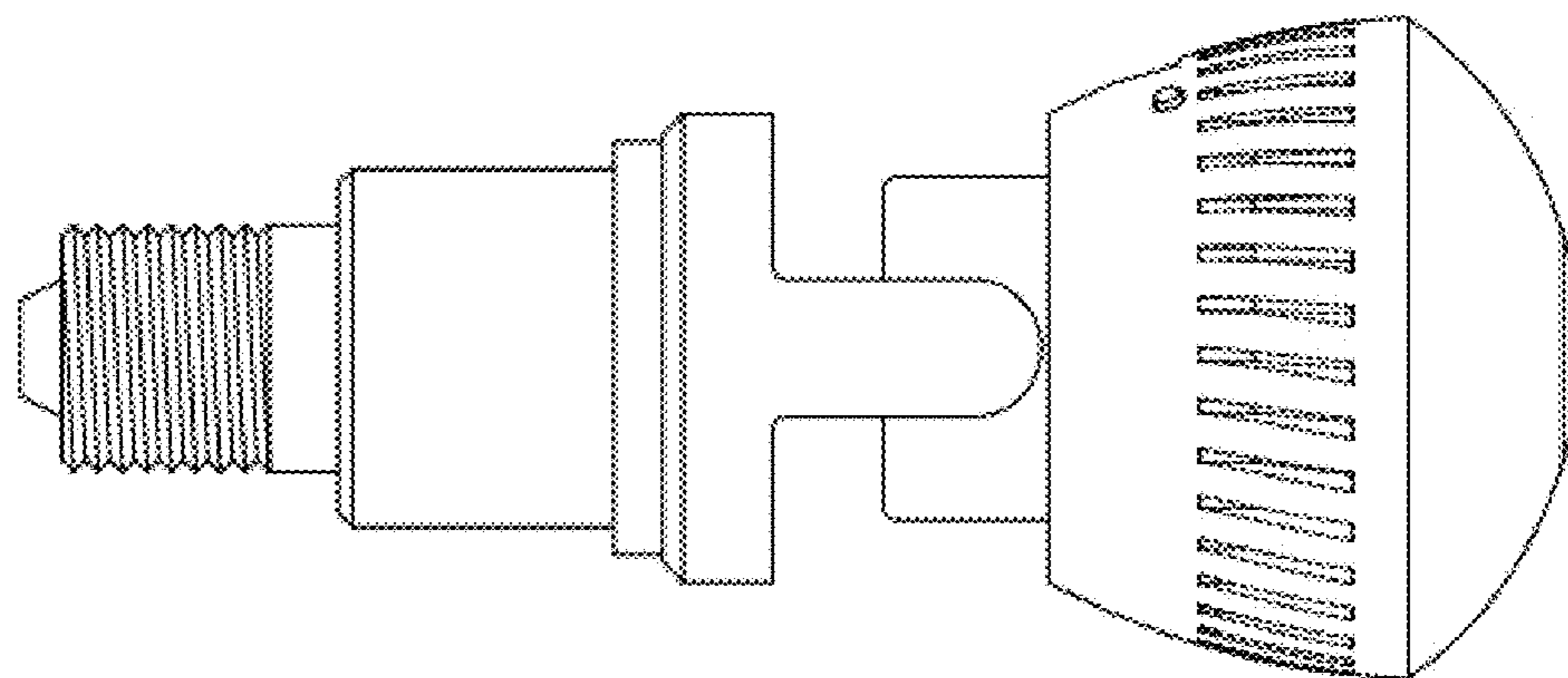


Fig. 5

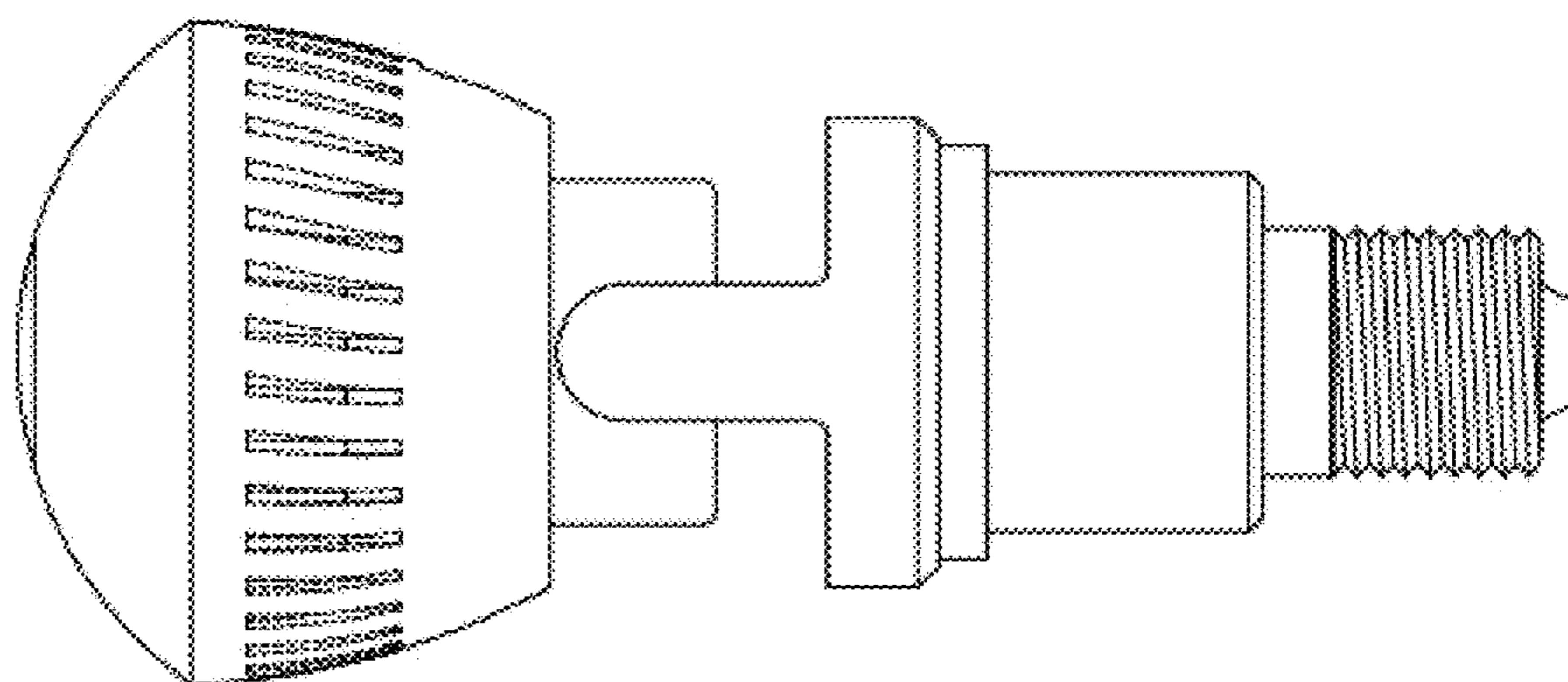


Fig. 6

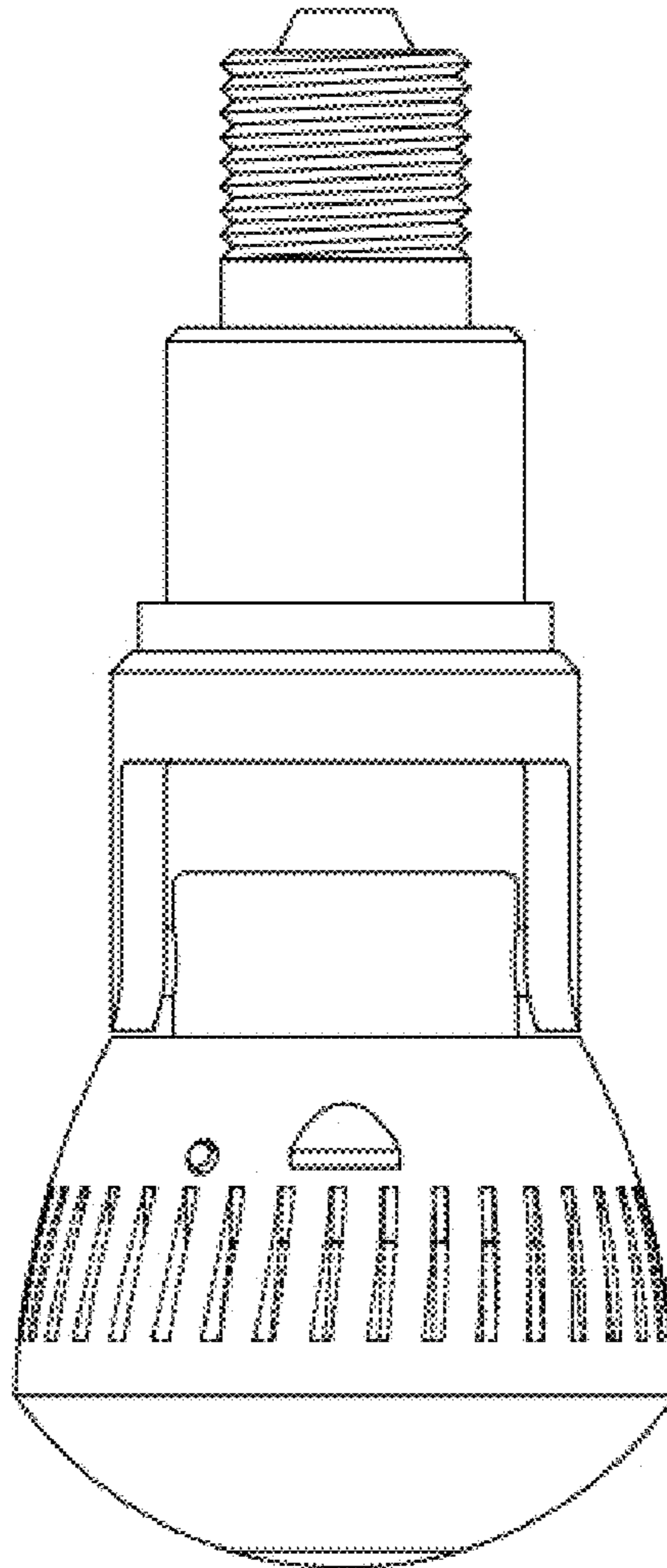


Fig. 7

