



US00D811462S

(12) **United States Design Patent** (10) **Patent No.:** **US D811,462 S**
Axelsson et al. (45) **Date of Patent:** **** Feb. 27, 2018**

(54) **MONITORING CAMERA**

(56) **References Cited**

(71) Applicant: **AXIS AB**, Lund (SE)

U.S. PATENT DOCUMENTS

(72) Inventors: **Fredrik Axelsson**, Loddekopinge (SE); **Daniel Ahman**, Lomma (SE); **Mathias Walter**, Arlov (SE); **Morten Bergstrom**, Bjarred (SE); **Andreas Hertzman**, Helsingborg (SE); **Gert Nilsson**, Sjobo (SE); **Henrik Persson**, Lund (SE)

D45,539 S * 3/1914 Meyers D26/90
D79,855 S * 11/1929 Schnell D26/36
D91,665 S * 3/1934 Kaynor D26/72
D115,971 S * 8/1939 Stewart D26/123
D182,672 S * 4/1958 Korabowski D10/106.1
D389,597 S * 1/1998 Gismondi D26/74
D486,940 S * 2/2004 Yiu D26/138

(Continued)

(73) Assignee: **AXIS AB**, Lund (SE)

OTHER PUBLICATIONS

(**) Term: **15 Years**

Axis P3707, no date available, [site visited: Mar. 29, 2017], Available from Internet, UR: <<http://www.simkeway.com/eproducts/765.html>>.*

(21) Appl. No.: **29/564,737**

(Continued)

(22) Filed: **May 16, 2016**

Primary Examiner — Barbara Fox
Assistant Examiner — Mary C Ramirez

(30) **Foreign Application Priority Data**

(74) *Attorney, Agent, or Firm* — Volpe and Koenig, P.C.

Nov. 16, 2015 (EM) 002861161-001-004

(51) **LOC (11) Cl.** **16-01**

(52) **U.S. Cl.**
USPC **D16/203**

(58) **Field of Classification Search**
USPC D14/130, 144, 132; D16/200–220, 242, D16/238; D26/24, 36, 72, 79, 123; D10/104.1, 104.2, 106.1, 106.2, 106.5; D9/548, 560, 572, 574, 430, 431; D29/109–110

CPC H04N 7/181; H04N 7/183; H04N 7/18; H04N 3/08; H04N 5/23248; H04N 5/23287; H04N 5/23258; H04N 5/2251; H04N 5/2252; H04N 2007/145; G01C 11/025; G03B 15/00; G03B 15/03; G03B 17/56; G03B 17/02; G03B 17/30; G03B 17/04; G03B 17/00; G03B 19/04; G03B 3/00; B60R 1/00; B60R 2300/105; G08B 13/19619; G08B 13/1963; G08B 13/19632; F16M 11/04; F16M 13/00; Y02E 60/12

See application file for complete search history.

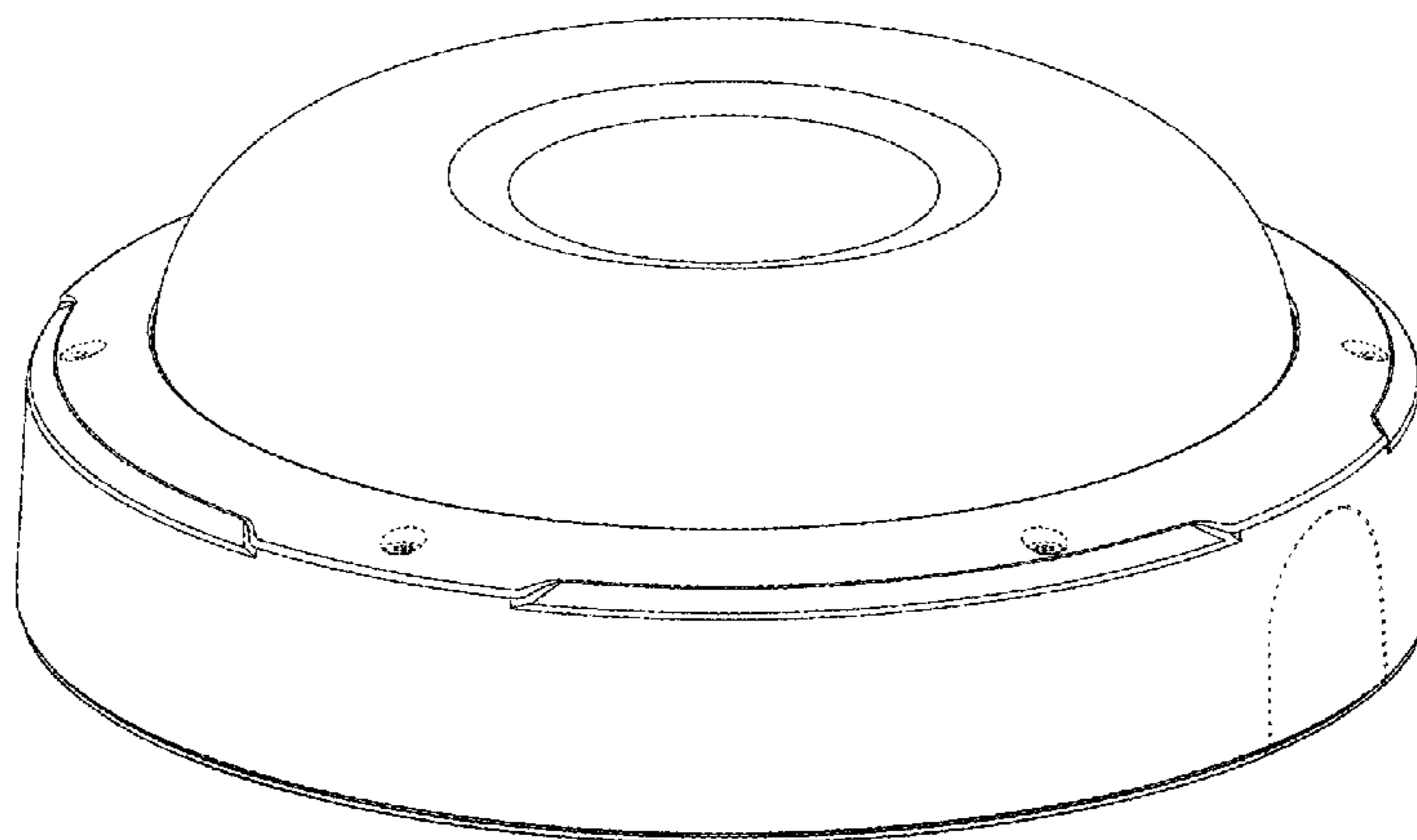
(57) **CLAIM**

The ornamental design for a monitoring camera, as shown and described.

DESCRIPTION

FIG. 1 is a perspective view of a monitoring camera showing our new designs;
FIG. 2 is a left side view thereof;
FIG. 3 is a top plan view thereof;
FIG. 4 is a front elevational view thereof;
FIG. 5 is a rear elevational view thereof;
FIG. 6 is a right side view thereof; and,
FIG. 7 is a bottom plan view thereof.
The broken lines shown in the drawings depict portions of the monitoring camera and form no part of the claimed design.

1 Claim, 4 Drawing Sheets



(56)

References Cited

U.S. PATENT DOCUMENTS

D512,417 S * 12/2005 Hirakawa D14/223
 D530,525 S * 10/2006 Greene, II D6/309
 D544,618 S * 6/2007 Coushaine D26/37
 D568,830 S * 5/2008 Park D13/180
 D583,981 S * 12/2008 Meyer D26/89
 7,534,057 B2 * 5/2009 Jones F16M 11/10
 248/178.1
 D617,035 S * 6/2010 Sabernig D26/79
 D617,039 S * 6/2010 Sabernig D26/104
 D619,755 S * 7/2010 Lai D26/124
 D628,737 S * 12/2010 van den Akker D26/89
 D632,599 S * 2/2011 Tupinier D10/104.1
 D633,231 S * 2/2011 Morrison D26/24
 D645,191 S * 9/2011 Krause D26/37
 D647,227 S * 10/2011 Kaule D26/24
 D654,617 S * 2/2012 Marquardt D26/120
 D666,353 S * 8/2012 Lin D26/124
 D694,463 S * 11/2013 Sieczkowski D26/124
 D712,963 S * 9/2014 Fleet D19/113
 D725,088 S * 3/2015 Kwak D14/240
 D743,382 S * 11/2015 Katori D14/228

D758,470 S * 6/2016 Kircher D16/215
 9,438,782 B2 * 9/2016 Donaldson G03B 17/02
 D771,600 S * 11/2016 Hinokio D14/228
 D775,319 S * 12/2016 Park D23/385
 D777,367 S * 1/2017 Ma D26/104
 D789,373 S * 6/2017 King D14/413
 D798,934 S * 10/2017 Wu D16/203
 D801,407 S * 10/2017 Kullgren D16/203
 2005/0263785 A1 * 12/2005 Kim H01L 33/54
 257/100
 2015/0358538 A1 * 12/2015 Donaldson G03B 17/02
 348/38

OTHER PUBLICATIONS

Fixed Dome Cameras, no date available, [site visited Mar. 29, 2017], Available from Internet, URL: <<https://www.axis.com/be/nl/products/fixed-dome-cameras>>.*
 Arecont Vision®, Surround Video® Omni IP Cameras, All-in-One Omni-Directional User-Configurable Indoor/Outdoor Multi-Sensor Cameras 12-20 Megapixels, H.264/MJPEG, WDR, Day/Night (2015).

* cited by examiner

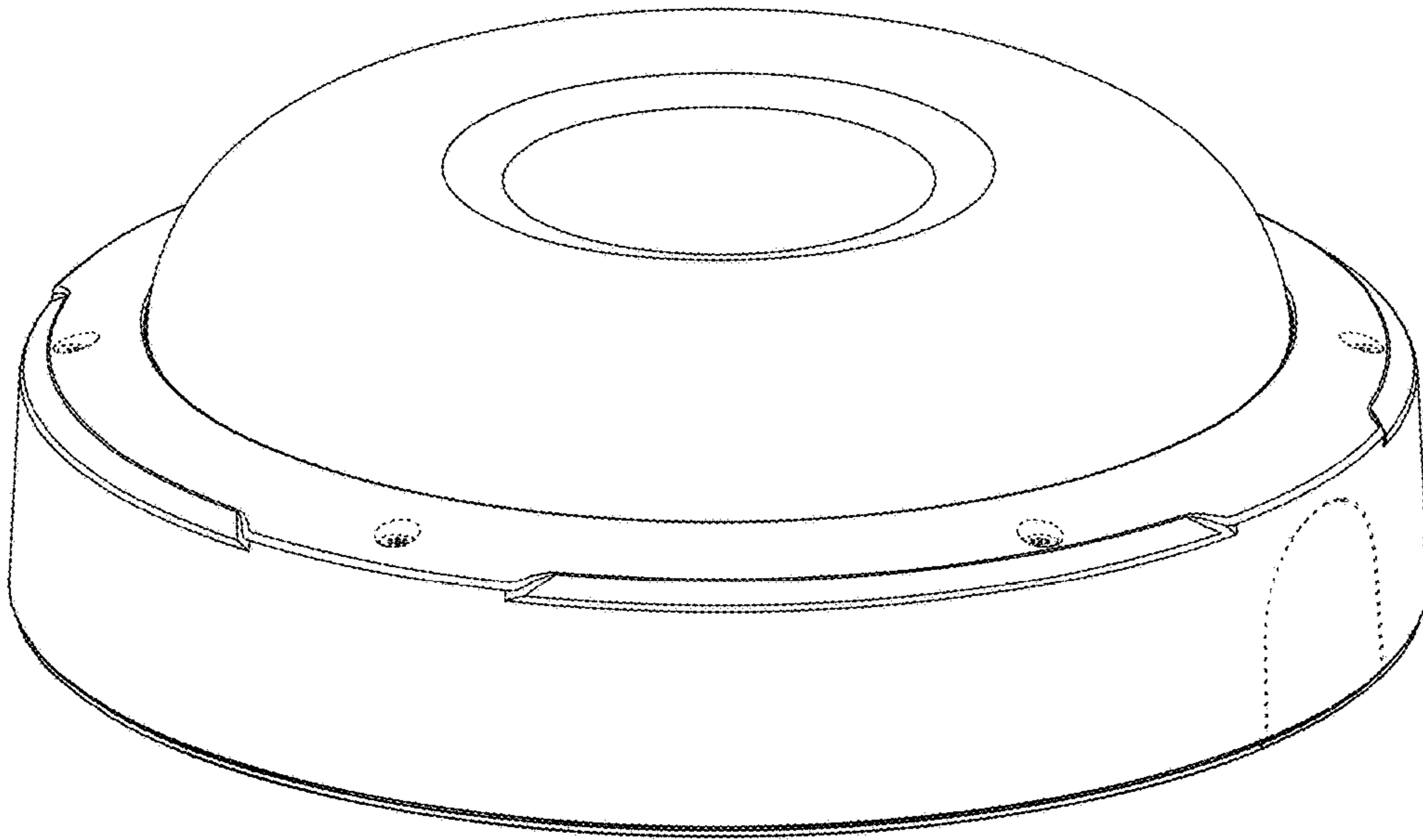


Figure 1

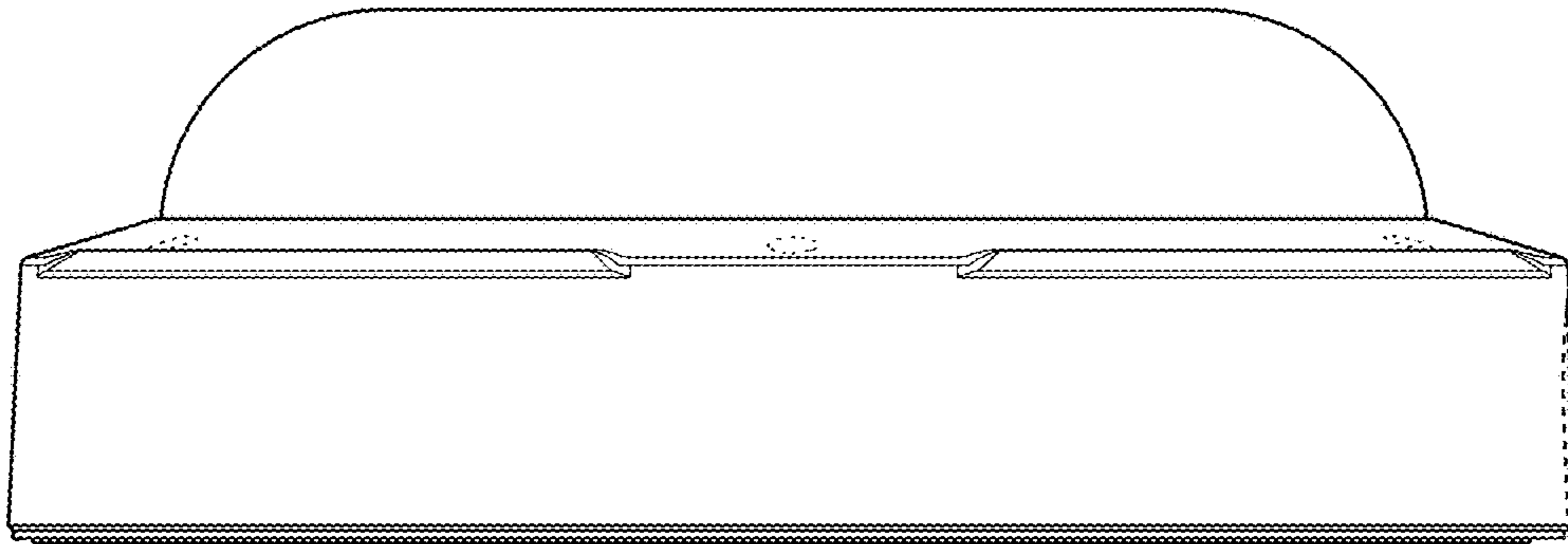


Figure 2

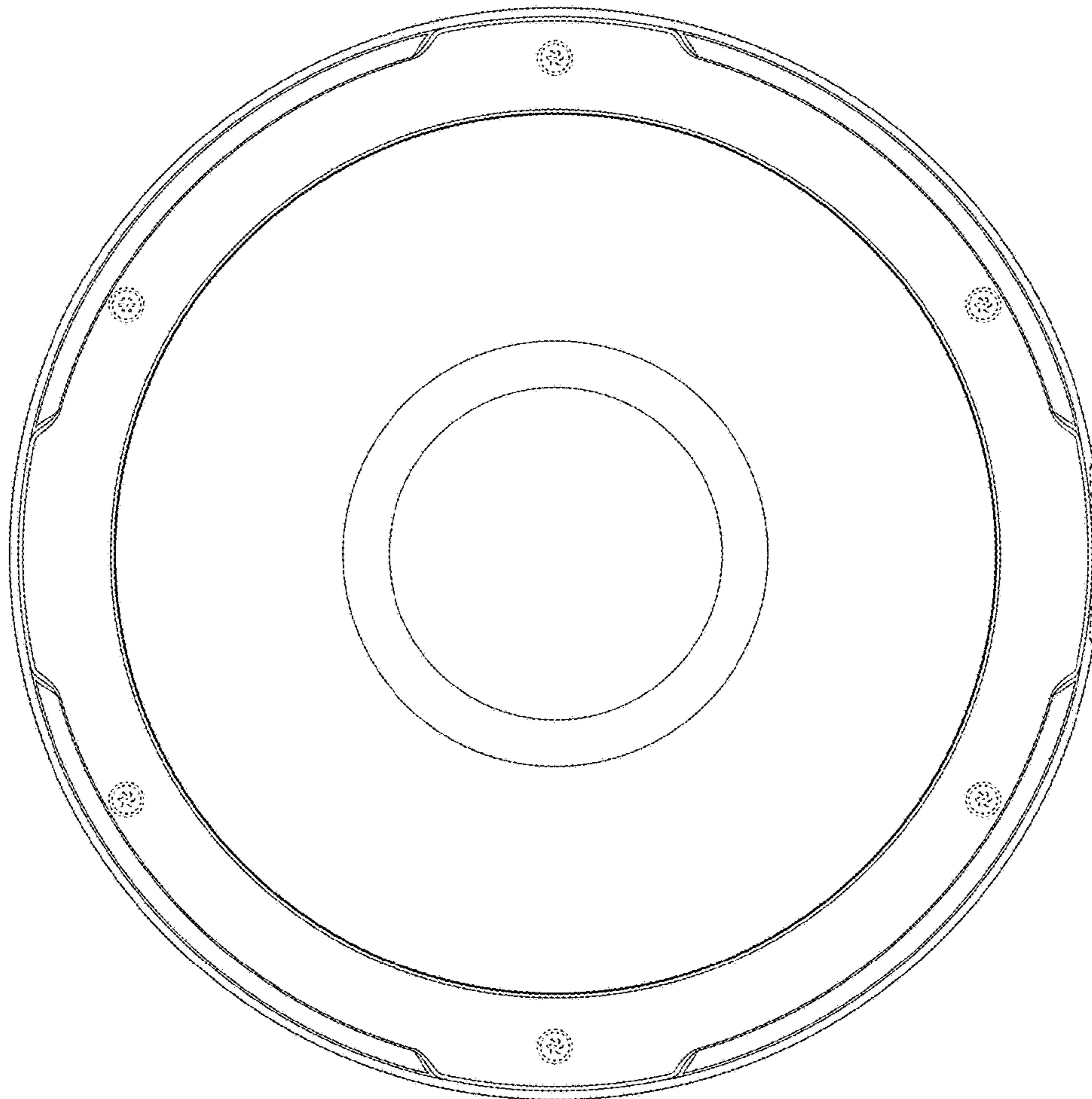


Figure 3

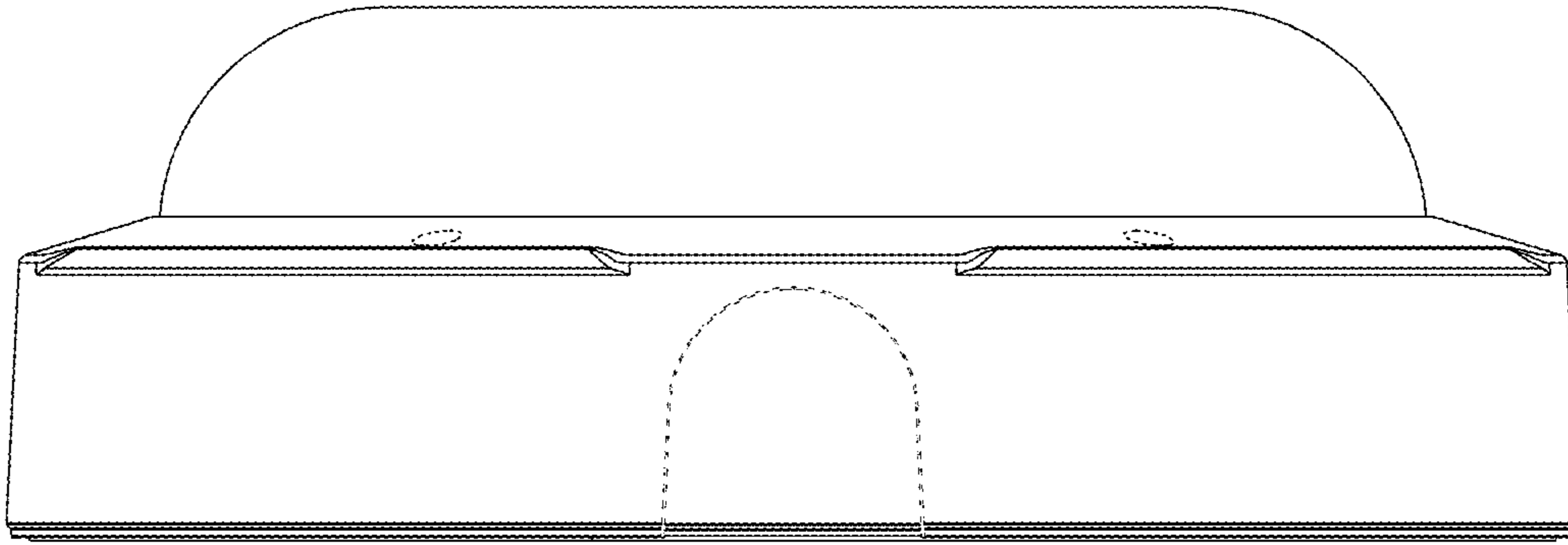


Figure 4

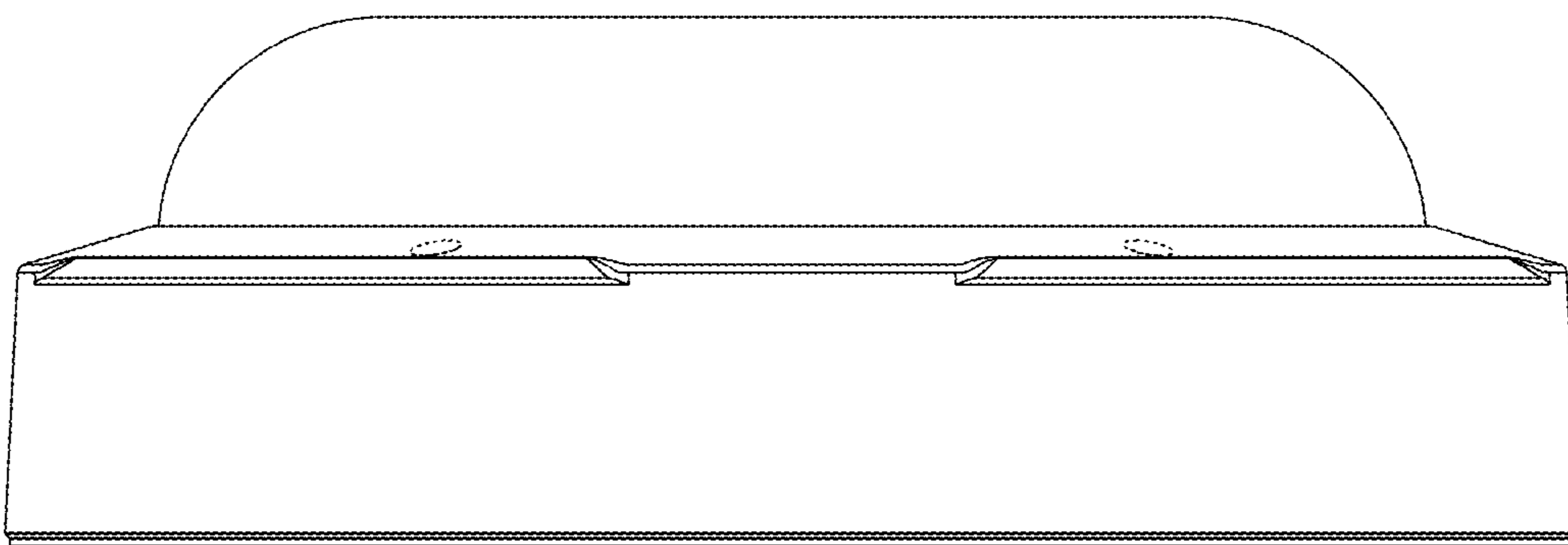


Figure 5

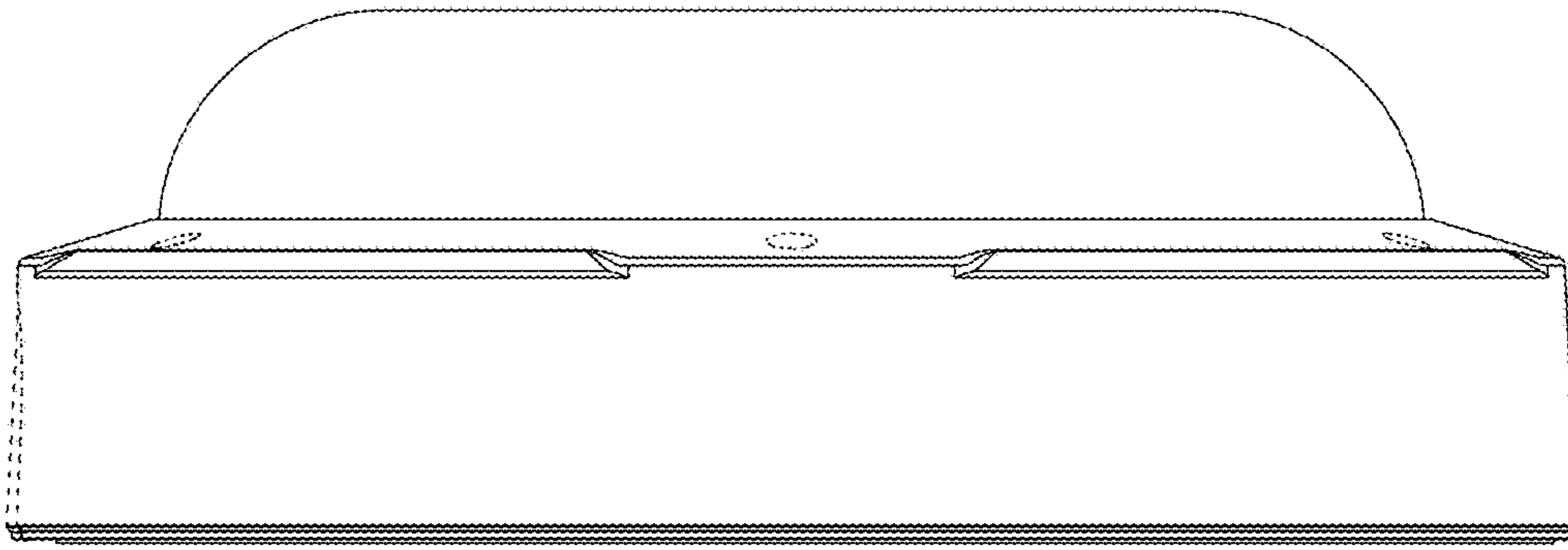


Figure 6

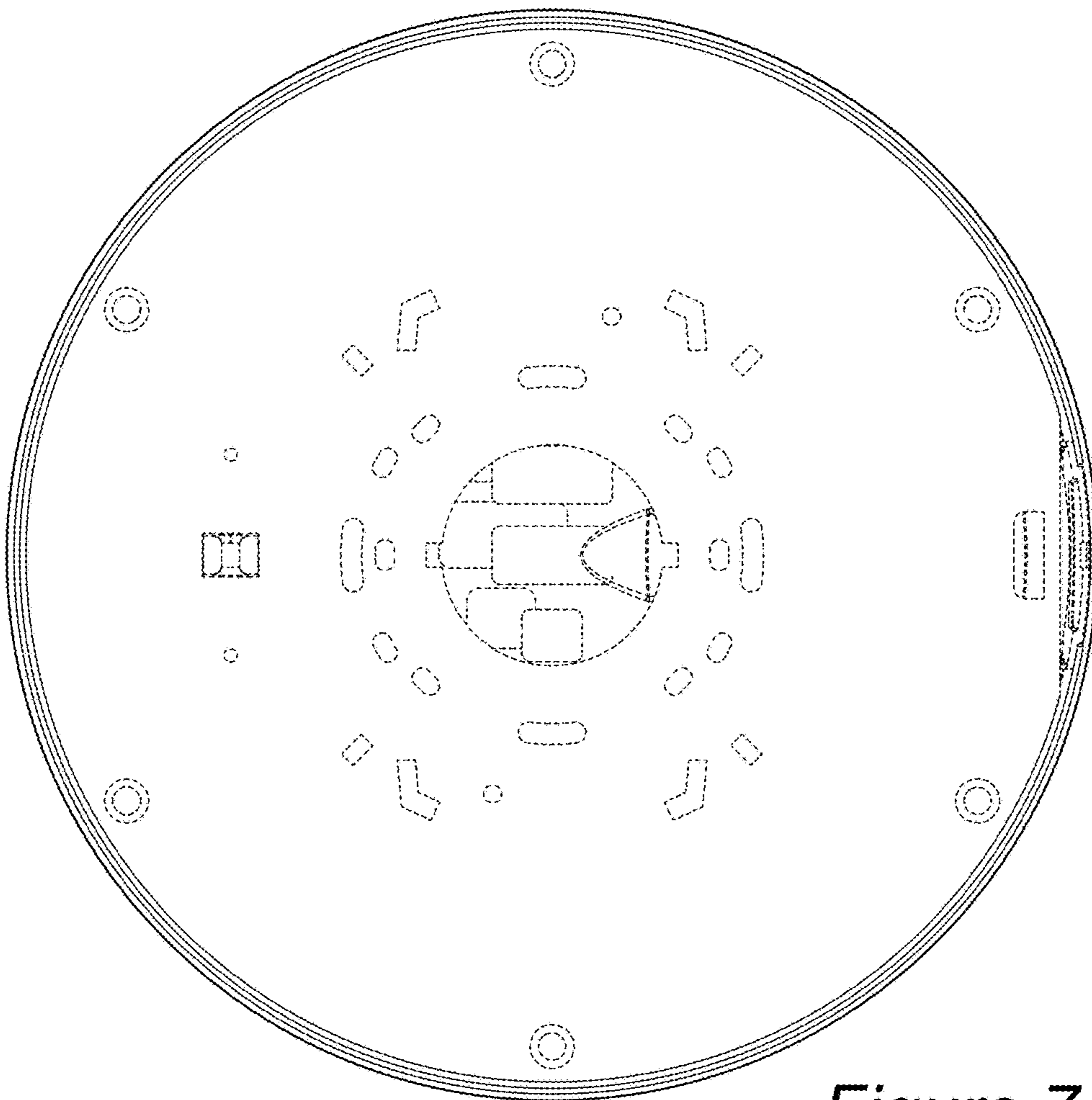


Figure 7