



US00D811461S

(12) **United States Design Patent**
Chen et al.

(10) **Patent No.:** **US D811,461 S**
(45) **Date of Patent:** **** Feb. 27, 2018**

(54) **CAMERA**

(71) Applicant: **AVer Information Inc.**, New Taipei (TW)

(72) Inventors: **Hung-Chi Chen**, New Taipei (TW);
Yin-Nan Chueh, New Taipei (TW);
Wei-Ting Peng, New Taipei (TW);
Kun-Lung Hung, New Taipei (TW)

(73) Assignee: **AVER INFORMATION INC.**, New Taipei (TW)

(**) Term: **15 Years**

(21) Appl. No.: **29/597,166**

(22) Filed: **Mar. 15, 2017**

(51) **LOC (11) Cl.** **16-01**

(52) **U.S. Cl.**
USPC **D16/200**

(58) **Field of Classification Search**
USPC D16/200, 202–206, 208, 218, 219;
348/373–376; 396/535, 539–541
CPC G03B 15/03; G03B 17/02; G03B 17/04;
G03B 17/56; G03B 19/04; H04N 5/2251;
H04N 5/2252; H04N 5/2253; H04N
5/2254; H04N 2101/00

See application file for complete search history.

(56) **References Cited**

U.S. PATENT DOCUMENTS

D366,270 S * 1/1996 Hasegawa D16/203
D518,080 S * 3/2006 Uehara D16/202

D614,222 S * 4/2010 Yamakawa D16/203
D668,282 S * 10/2012 Ohno D16/203
D686,267 S * 7/2013 Mihara D16/202
D705,843 S * 5/2014 Kawai D16/202
D721,113 S * 1/2015 Huang D16/202
D743,467 S * 11/2015 Bhattacharya D16/203
D747,383 S * 1/2016 Li D16/203
D750,148 S * 2/2016 Eriksen D16/218
D760,310 S * 6/2016 Pacurariu D16/202
D786,329 S * 5/2017 Kamei D16/202

* cited by examiner

Primary Examiner — Philip S Hyder

Assistant Examiner — Ramzi S Almatrahi

(74) *Attorney, Agent, or Firm* — CKC & Partners Co., Ltd.

(57) **CLAIM**

The ornamental design for a camera, as shown and described.

DESCRIPTION

FIG. 1 is a perspective view of a camera showing our new design;

FIG. 2 is a front elevational view thereof;

FIG. 3 is a rear elevational view thereof;

FIG. 4 is a left side elevational view thereof;

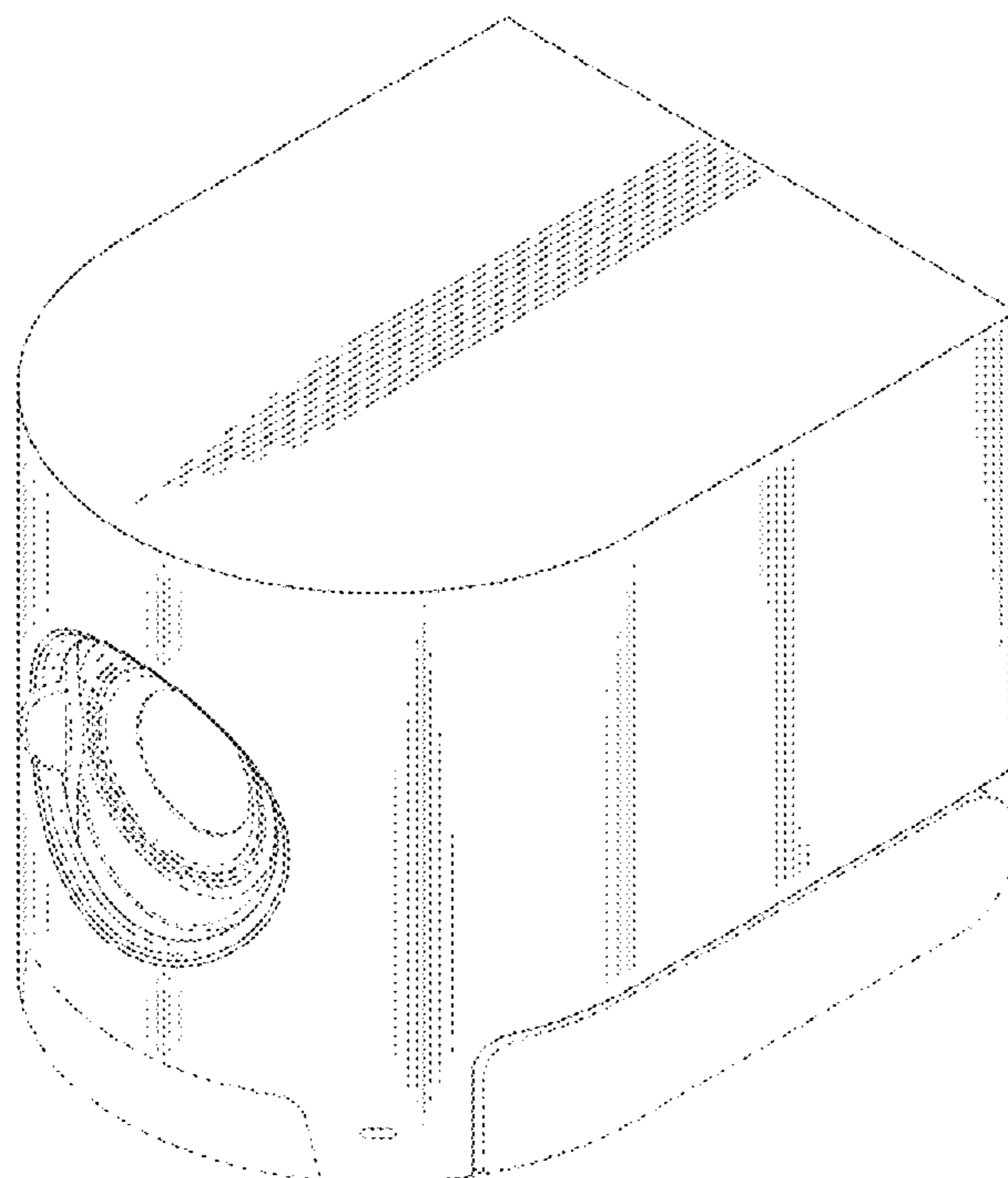
FIG. 5 is a right side elevational view thereof;

FIG. 6 is a top plan view thereof; and,

FIG. 7 is a bottom plan view thereof.

The broken lines depict portions of the camera in which the design is embodied that form no part of the claimed design.

1 Claim, 7 Drawing Sheets



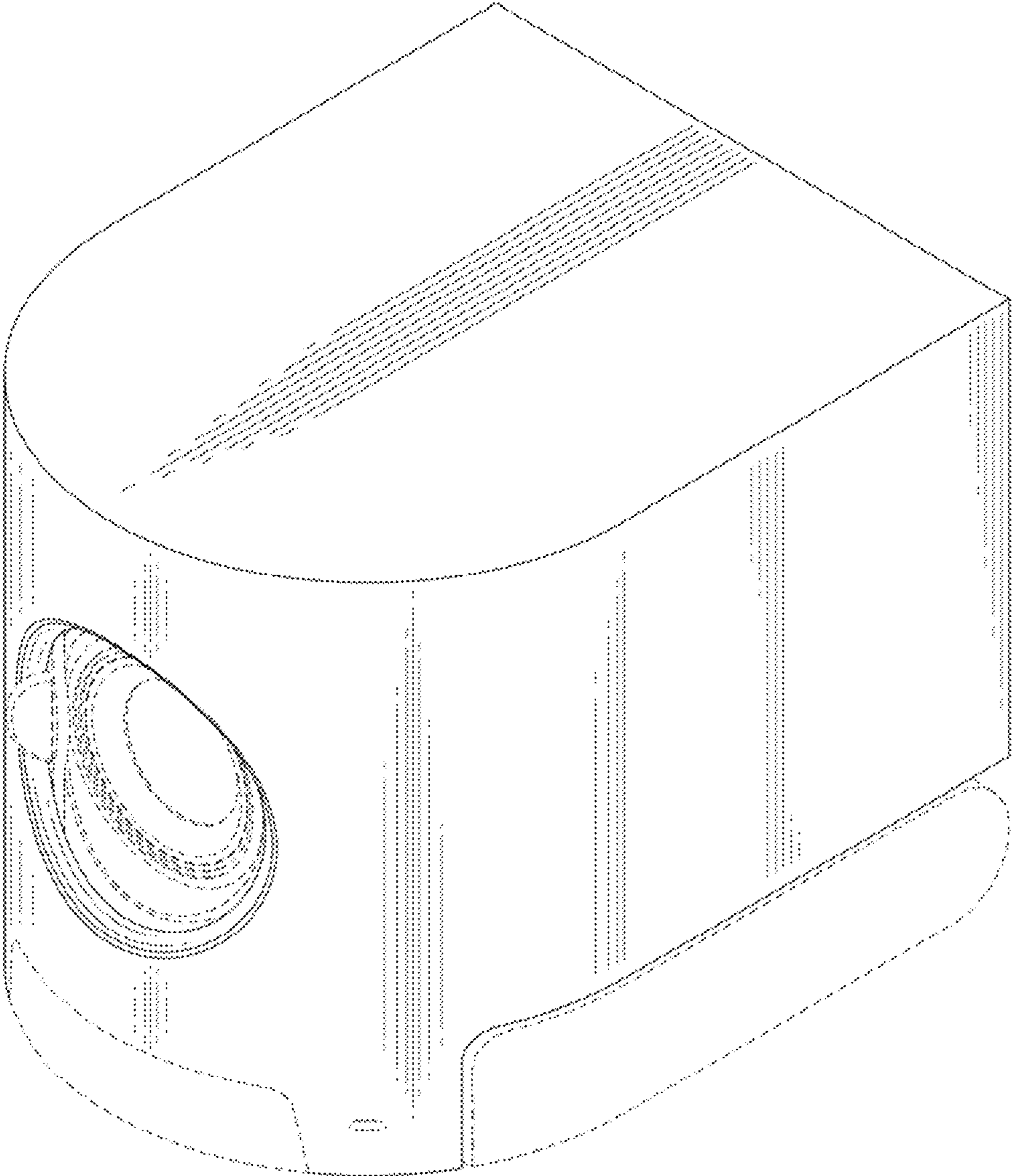


Fig. 1

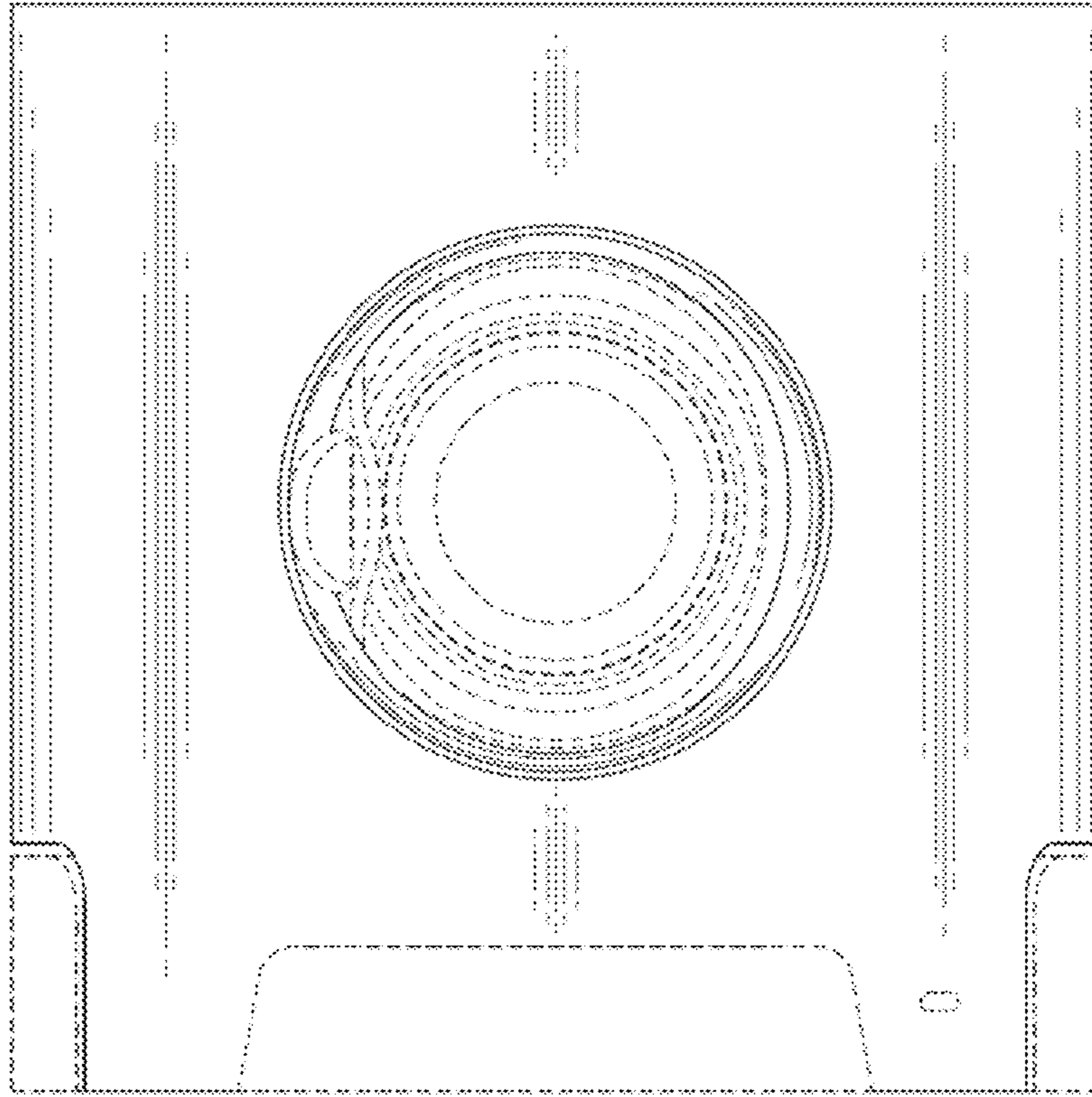


Fig. 2

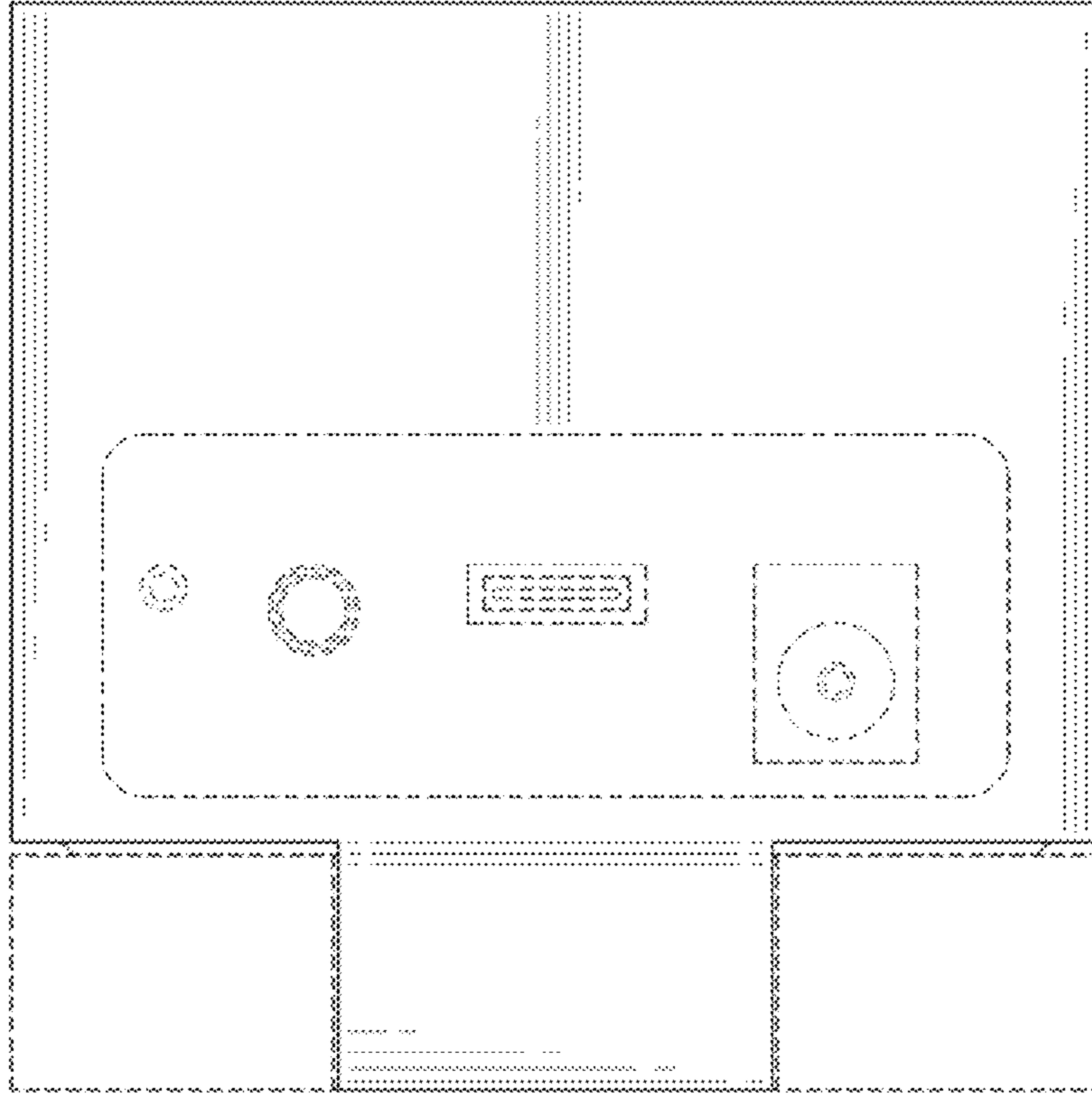


Fig. 3

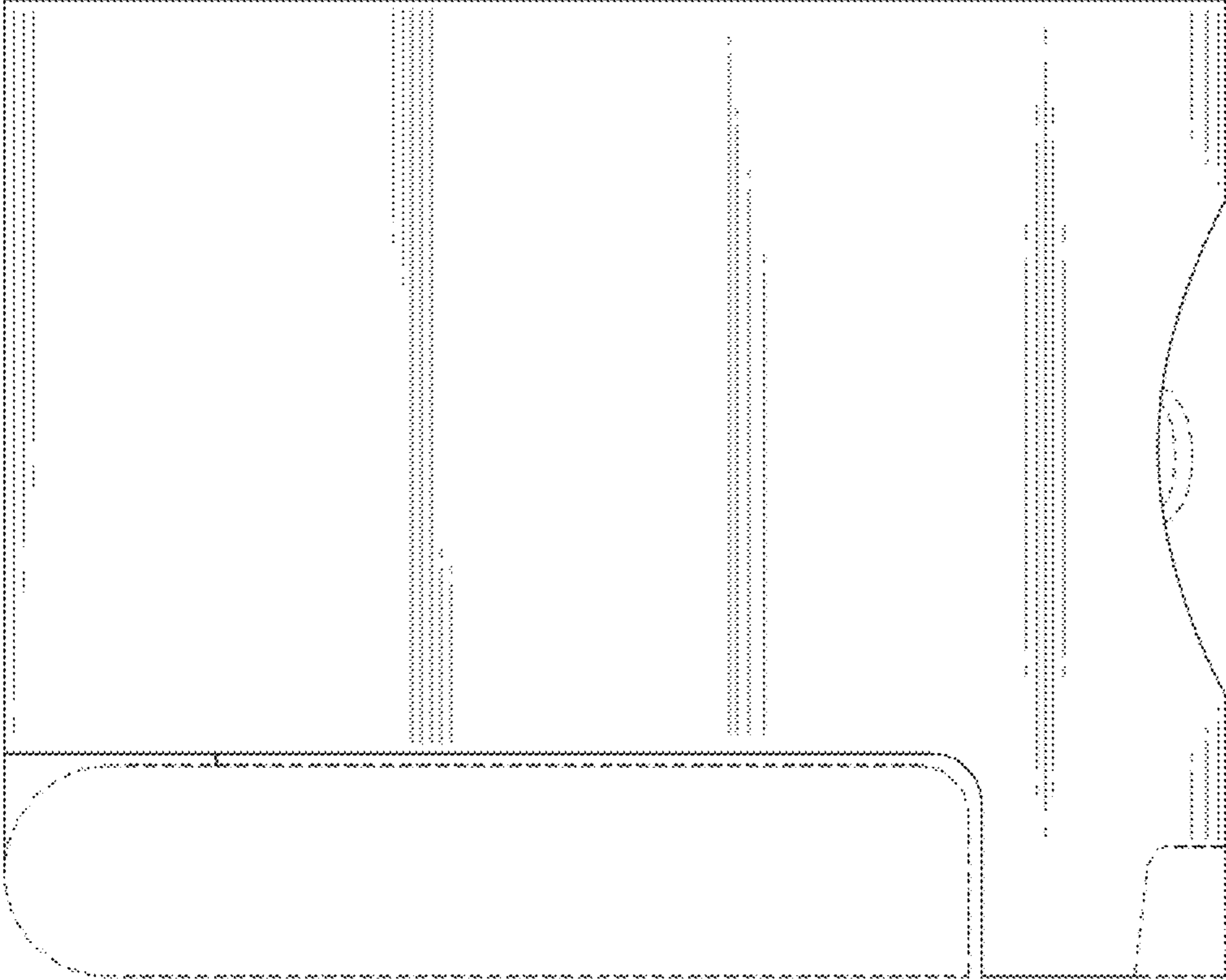


Fig. 4

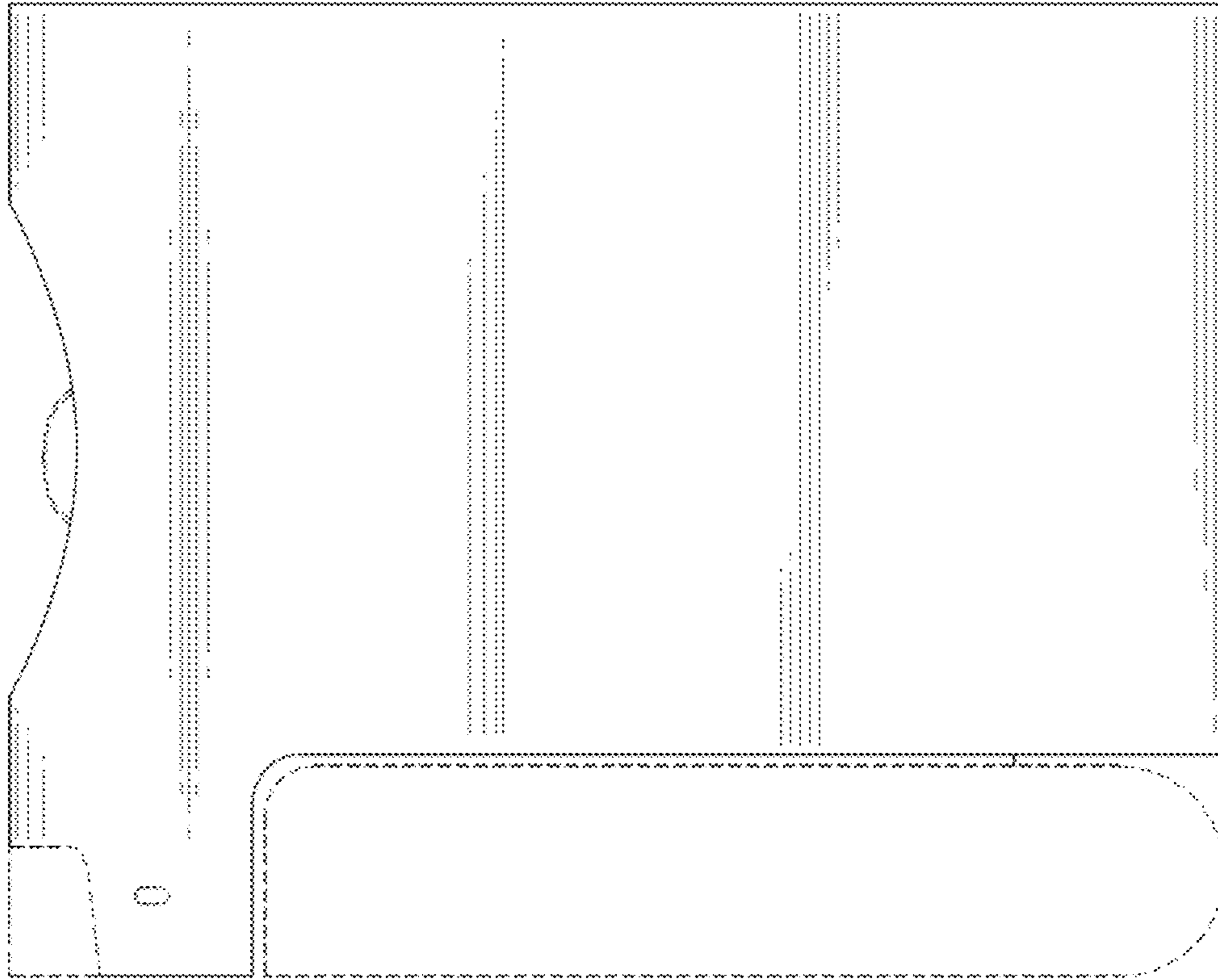


Fig. 5

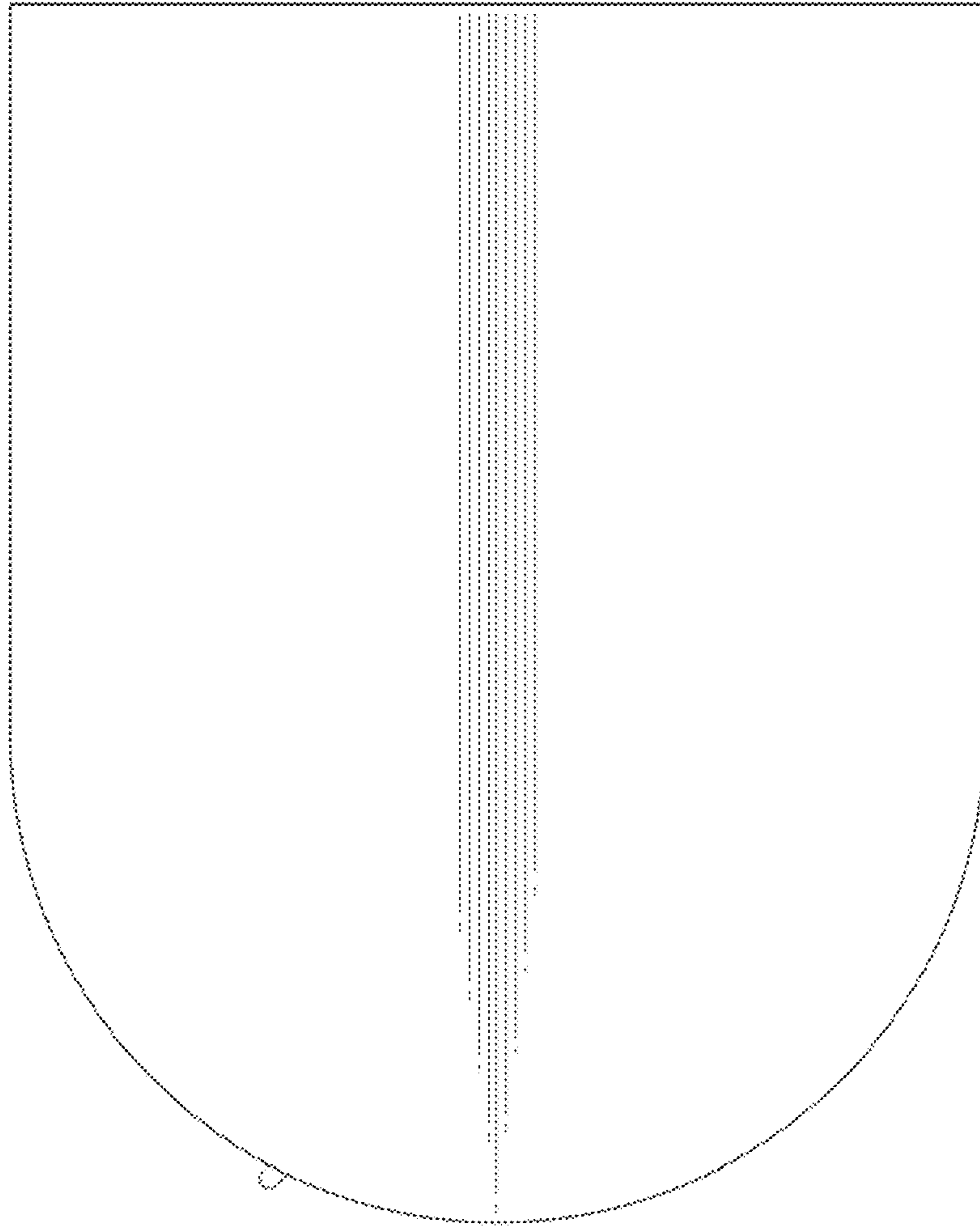


Fig. 6

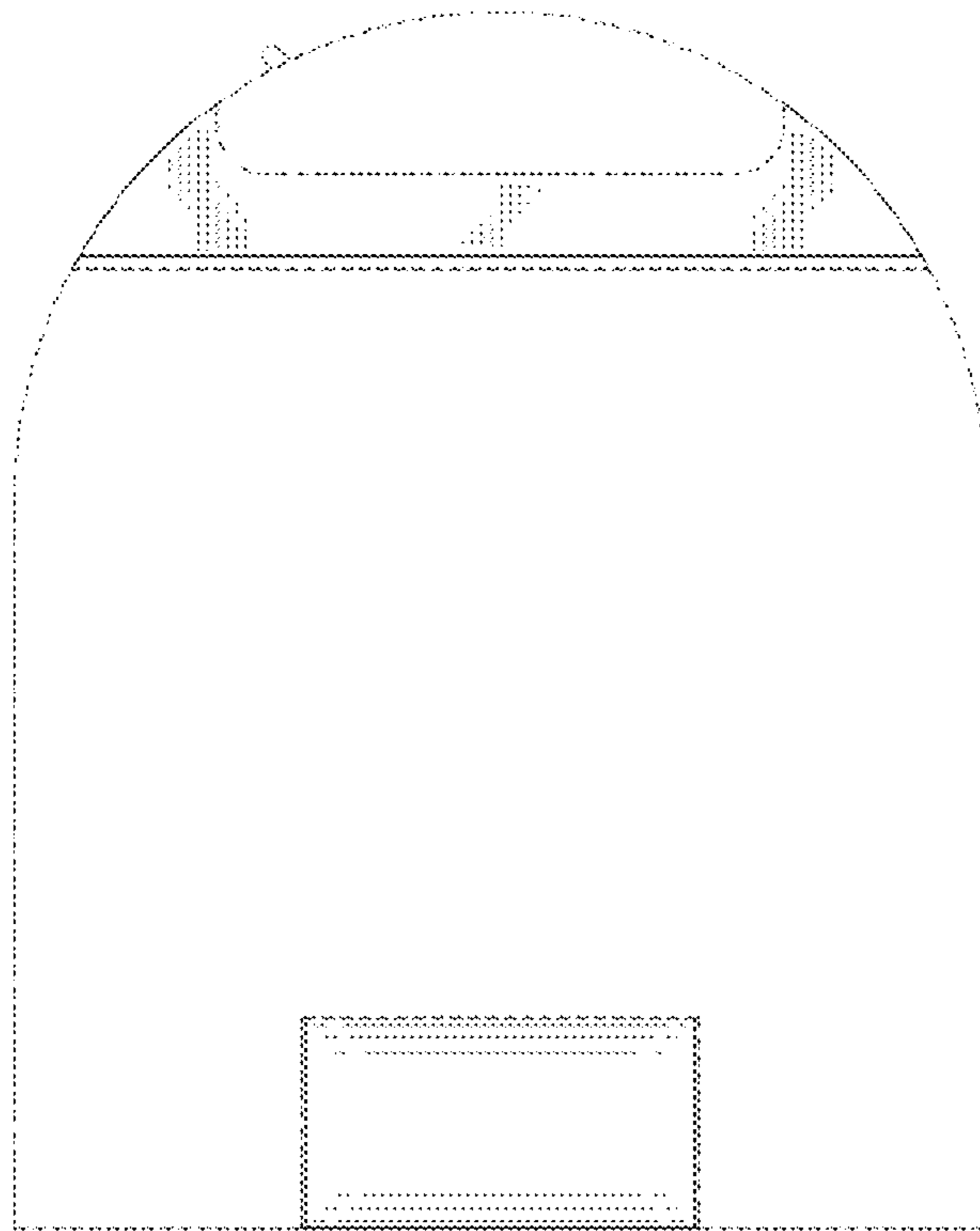


Fig. 7