



US00D811460S

(12) **United States Design Patent**
Apothéloz

(10) **Patent No.:** **US D811,460 S**

(45) **Date of Patent:** **** Feb. 27, 2018**

(54) **VERTICAL SUPPORT MEMBER AND STAND
BASE OF A MICROSCOPE STAND**

D291,702 S * 9/1987 Kahute D16/131
D345,748 S * 4/1994 Hoibl D16/131
5,629,498 A * 5/1997 Pollock G01G 17/04
177/126

(71) Applicant: **Leica Microsystems (Schweiz) AG,**
Heerbrugg (CH)

D744,566 S * 12/2015 Matuschek D16/131
2009/0236248 A1 * 9/2009 Uehata G01N 33/48757
206/363

(72) Inventor: **Christophe Apothéloz,** Zurich (CH)

2011/0211058 A1 * 9/2011 McCollum G01N 15/1434
348/79

(73) Assignee: **Leica Microsystems (Schweiz) AG,**
Heerbrugg (CH)

* cited by examiner

(**) Term: **15 Years**

Primary Examiner — Eric L Goodman

(21) Appl. No.: **29/563,327**

Assistant Examiner — Jennifer M Wright

(22) Filed: **May 4, 2016**

(74) *Attorney, Agent, or Firm* — Crowell & Moring LLP

(30) **Foreign Application Priority Data**

Nov. 5, 2015 (EM) 002848283-0001

(51) **LOC (11) Cl.** **16-06**

(52) **U.S. Cl.**
USPC **D16/131**

(58) **Field of Classification Search**

USPC D16/130–136
CPC G02B 7/00; G02B 7/001; G02B 17/00;
G02B 1/00; G02B 1/002; G02B 1/0008;
G02B 1/0012; G02B 1/16; G02B 1/364;
G02B 21/004; G02B 21/008; G02B
21/0088; G02B 21/20; G02B 21/22;
G02B 21/24; G02B 23/00; G02B 23/02;
G02B 23/12; G02B 23/16; G02B 7/04;
B65D 83/00

See application file for complete search history.

(56) **References Cited**

U.S. PATENT DOCUMENTS

D260,402 S * 8/1981 Hodgson D16/131
D290,129 S * 6/1987 Kahute D16/131

(57) **CLAIM**

The ornamental design for a vertical support member and stand base of a microscope stand, as shown and described.

DESCRIPTION

This application contains subject matter related to the following co-pending U.S. design patent application: application Ser. No. 29/563,326, filed herewith and entitled “Vertical Support Member Of A Microscope Stand”.

FIG. 1 is a top right side perspective view of a vertical support member and stand base of a microscope stand according to the design;

FIG. 2 is a rear left side perspective view thereof;

FIG. 3 is a front view thereof;

FIG. 4 is a rear view thereof;

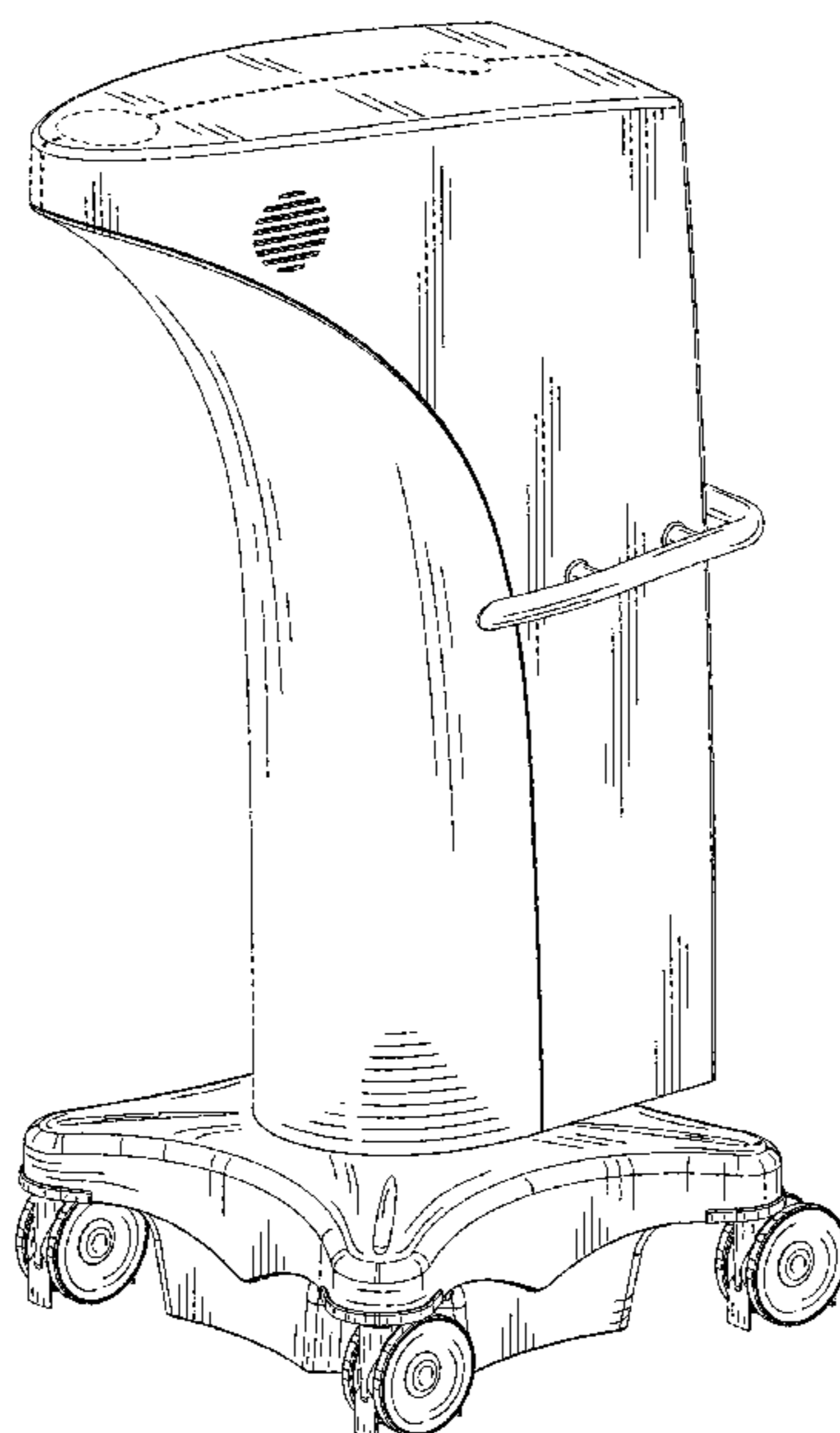
FIG. 5 is a left side view thereof;

FIG. 6 is a right side view thereof; and,

FIG. 7 is a top view thereof.

The broken lines depict parts of the vertical support member and stand base of a microscope stand and form no part of the claimed design.

1 Claim, 7 Drawing Sheets



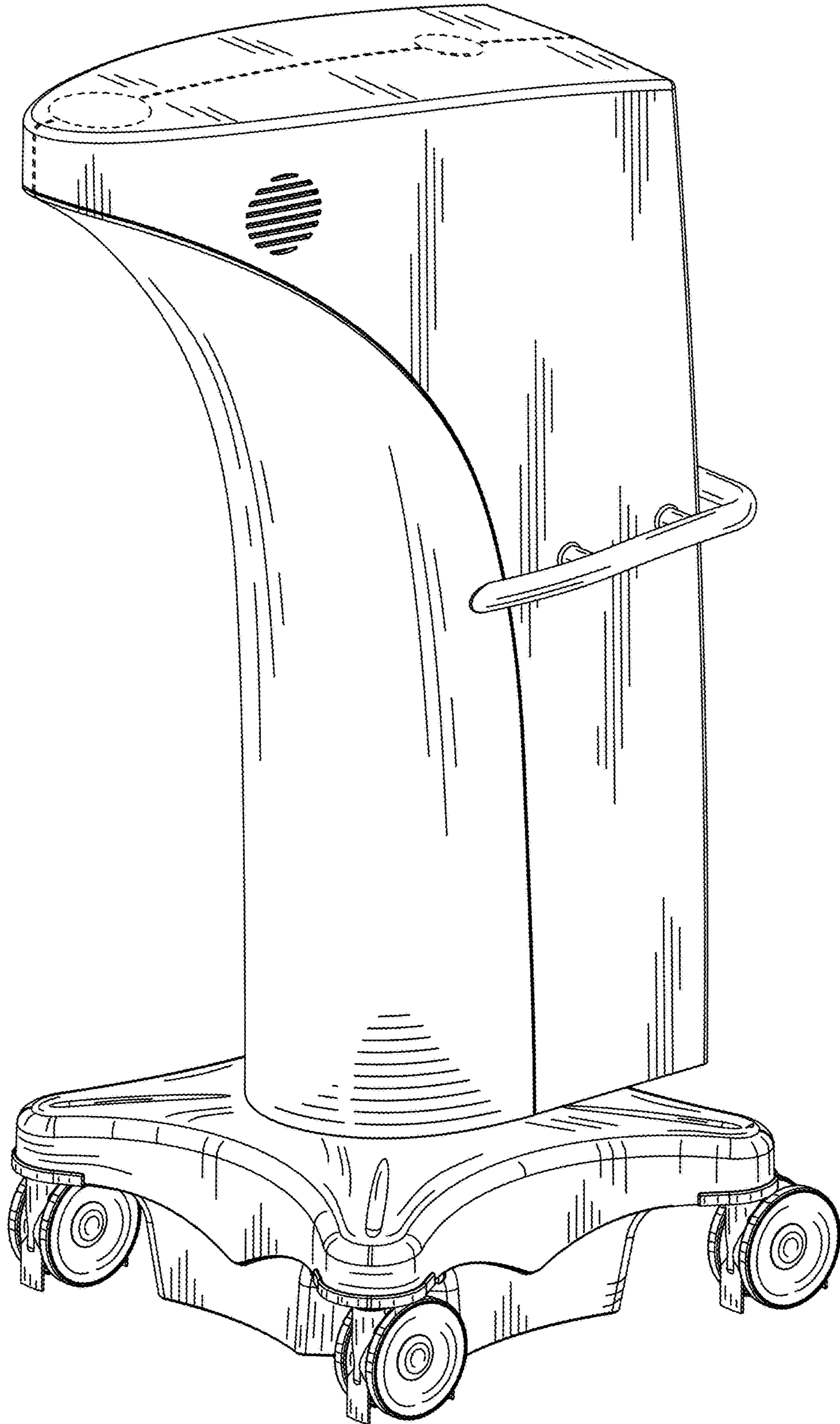


FIG. 1

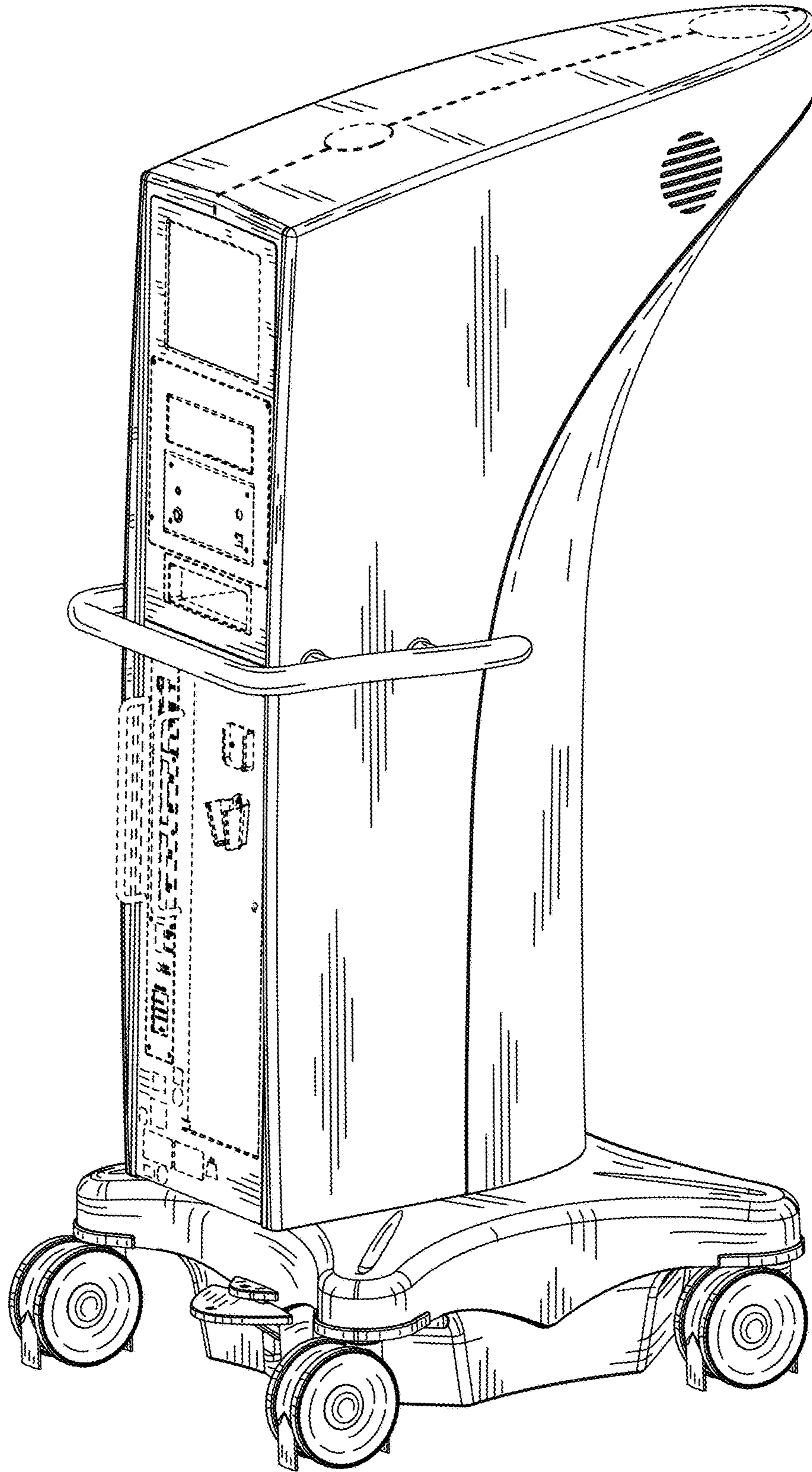


FIG. 2

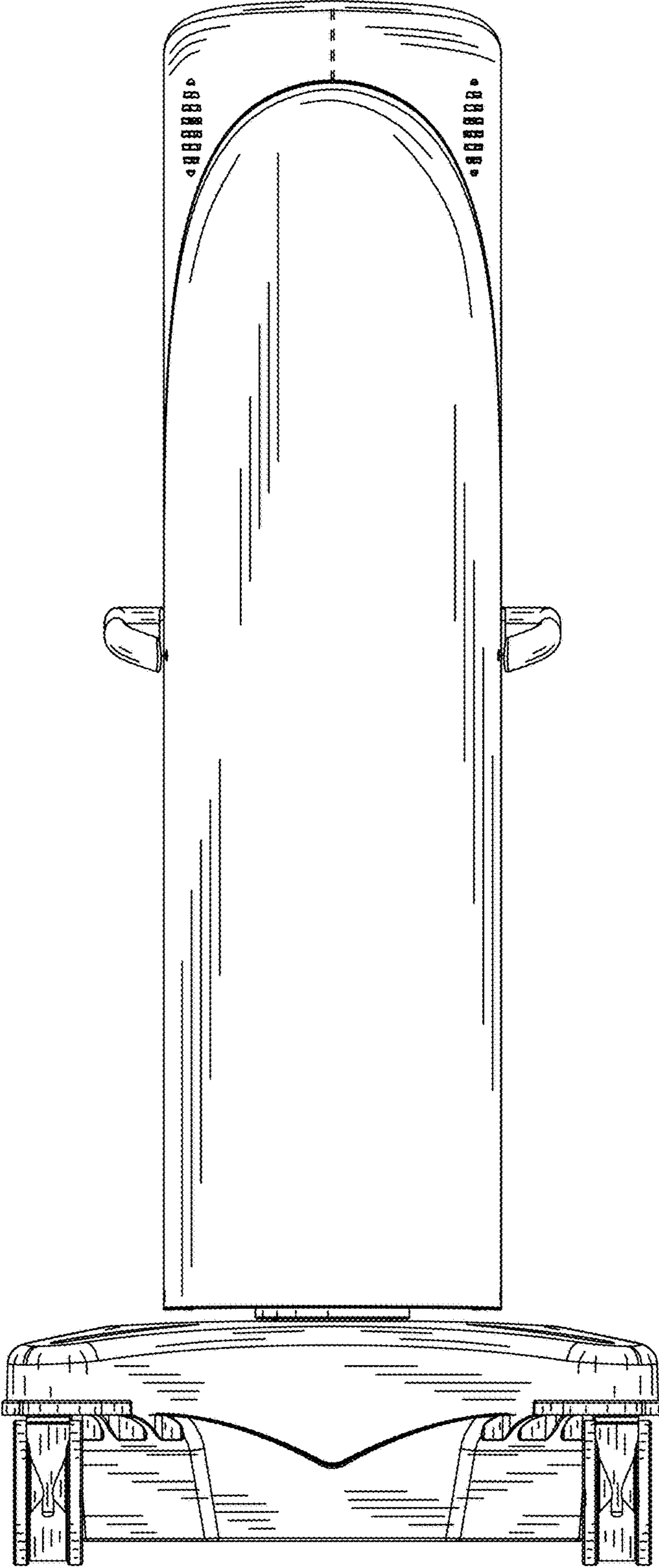


FIG. 3

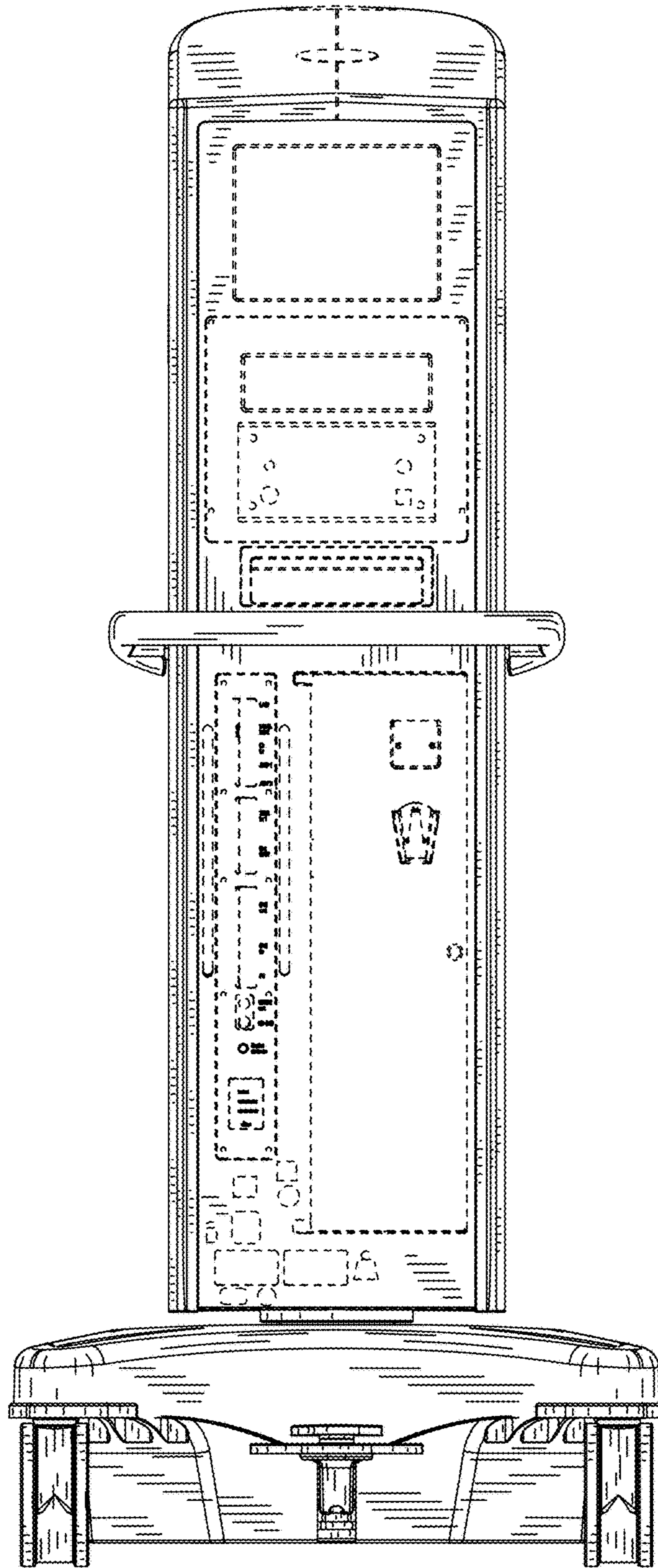


FIG. 4

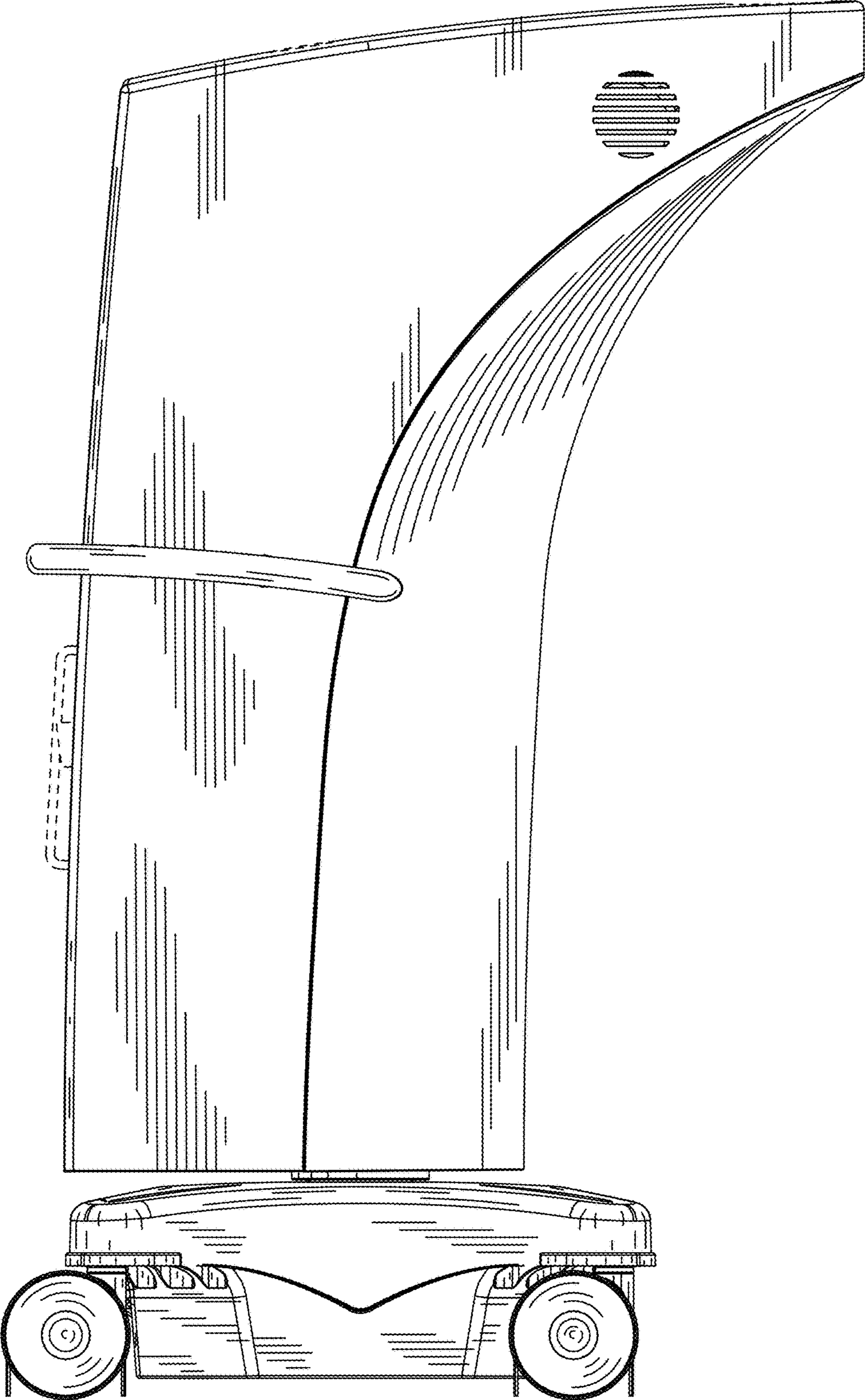


FIG. 5

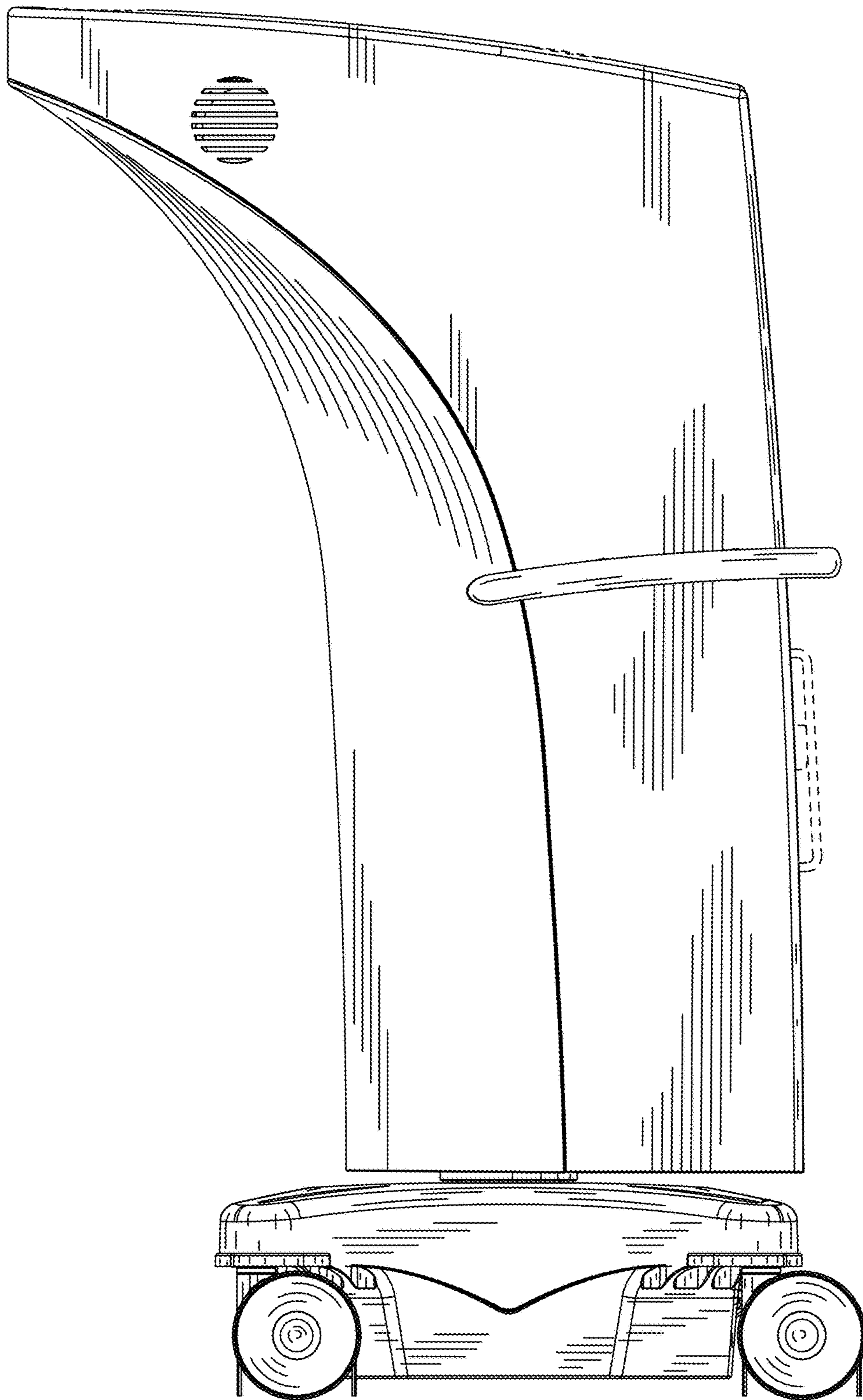


FIG. 6

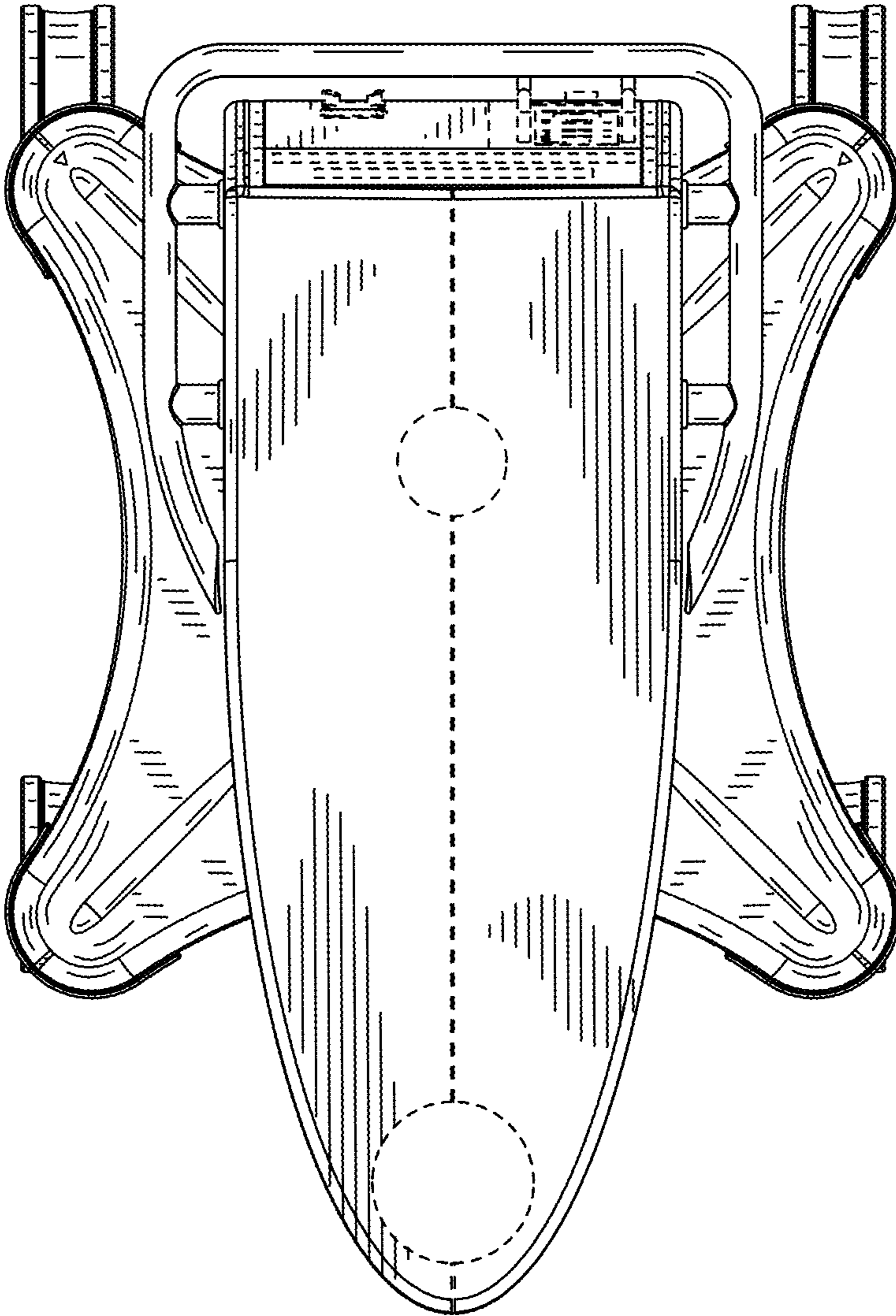


FIG. 7