



US00D811458S

(12) **United States Design Patent**
Wang et al.

(10) **Patent No.:** **US D811,458 S**
(45) **Date of Patent:** **** Feb. 27, 2018**

(54) **SERVICE ROBOT**
(71) Applicant: **BEIJING SINEVA TECHNOLOGY CO., LTD., Beijing (CN)**
(72) Inventors: **Xuefei Wang, Beijing (CN); Jiayang Zhao, Beijing (CN); Mi Zhang, Beijing (CN)**
(73) Assignee: **BEIJING SINEVA TECHNOLOGY CO., LTD., Beijing (CN)**
(**) Term: **15 Years**
(21) Appl. No.: **29/591,695**
(22) Filed: **Jan. 23, 2017**

D644,256 S * 8/2011 Kitano D15/199
D675,656 S * 2/2013 Sutherland D15/199
D701,256 S * 3/2014 Song D15/199
D719,620 S * 12/2014 Clerc B25J 5/007
D15/199
D725,166 S * 3/2015 Paik D15/199
D725,167 S * 3/2015 Song D15/199
D726,836 S * 4/2015 Song D15/199
D732,096 S * 6/2015 Jang D15/199
D735,258 S * 7/2015 Jang D15/199
D739,450 S * 9/2015 Jain D15/199
D760,673 S * 7/2016 Chalabi D14/125
D761,894 S * 7/2016 Ho D15/199
D765,180 S * 8/2016 Huang D20/5
D766,644 S * 9/2016 Huang D15/199
D781,945 S * 3/2017 Uno D15/199
D793,145 S * 8/2017 Huang D15/199
D799,575 S * 10/2017 Tang D15/199
9,776,327 B2 * 10/2017 Pinter B25J 9/1676

* cited by examiner

(30) **Foreign Application Priority Data**
Sep. 19, 2016 (CN) 2016 3 0474225
(51) **LOC (11) Cl.** **15-99**
(52) **U.S. Cl.**
USPC **D15/199**
(58) **Field of Classification Search**
USPC D15/199; D21/578-583, 621, 622
CPC B25J 9/044; B25J 9/102; G06F 3/0485;
Y10T 74/20305
See application file for complete search history.

Primary Examiner — Patricia A Palasik
(74) *Attorney, Agent, or Firm* — Oliff PLC

(56) **References Cited**
U.S. PATENT DOCUMENTS
D285,599 S * 9/1986 Forino D21/578
D450,788 S * 11/2001 Kawasaki D21/578
D549,756 S * 8/2007 Park D15/199
D559,288 S * 1/2008 Matsuda D15/199
D563,443 S * 3/2008 Ahn D15/199
D579,035 S * 10/2008 Kim B25J 11/008
D15/199
D635,603 S * 4/2011 Paz Rodriguez D15/199

(57) **CLAIM**
The ornamental design for a service robot, as shown and described.

DESCRIPTION
FIG. 1 is a front, top, right-side perspective view of the service robot;
FIG. 2 is a front elevational view thereof;
FIG. 3 is a top plan view thereof;
FIG. 4 is a right-side elevational view thereof, the left-side elevational view (not provided) being a mirror image thereof;
FIG. 5 is a rear elevational view thereof; and,
FIG. 6 is a bottom plan view thereof.
The broken lines in the drawings depict unclaimed environmental subject matter.

1 Claim, 6 Drawing Sheets

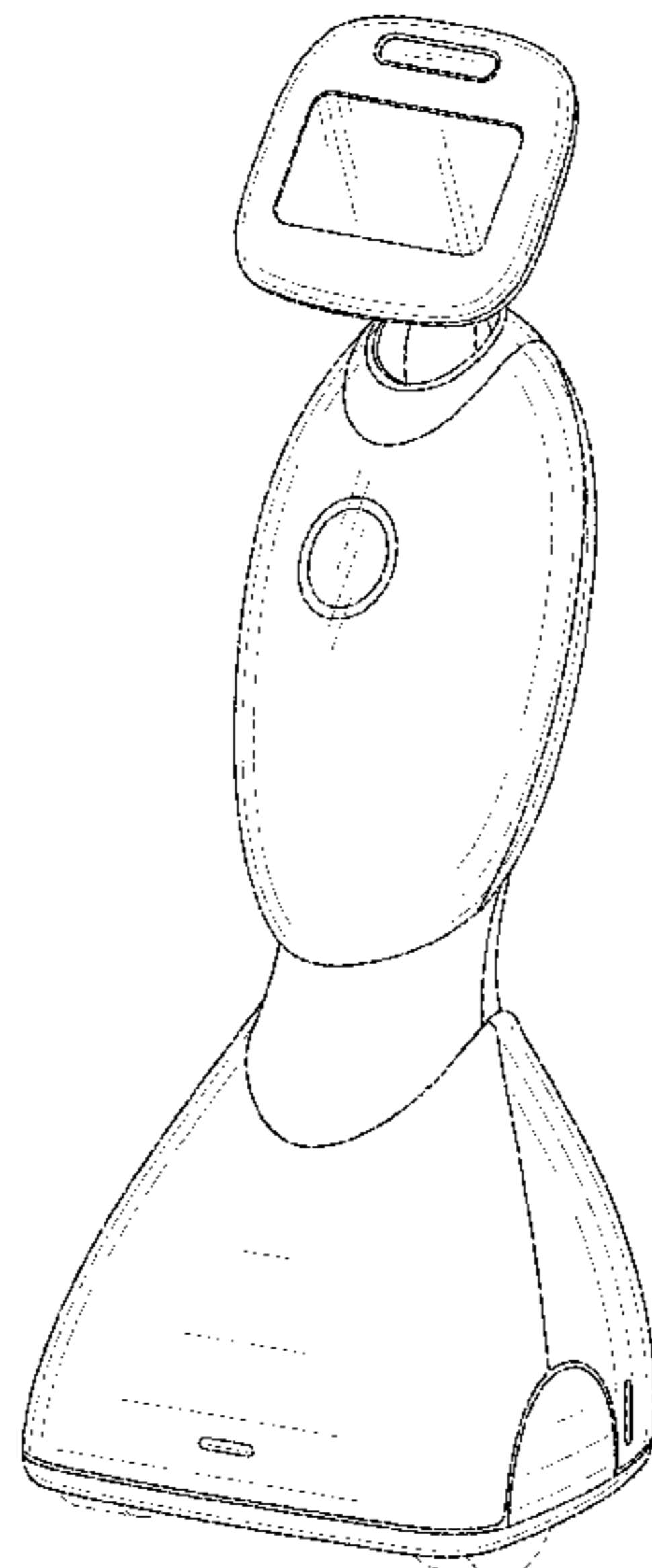


FIG. 1

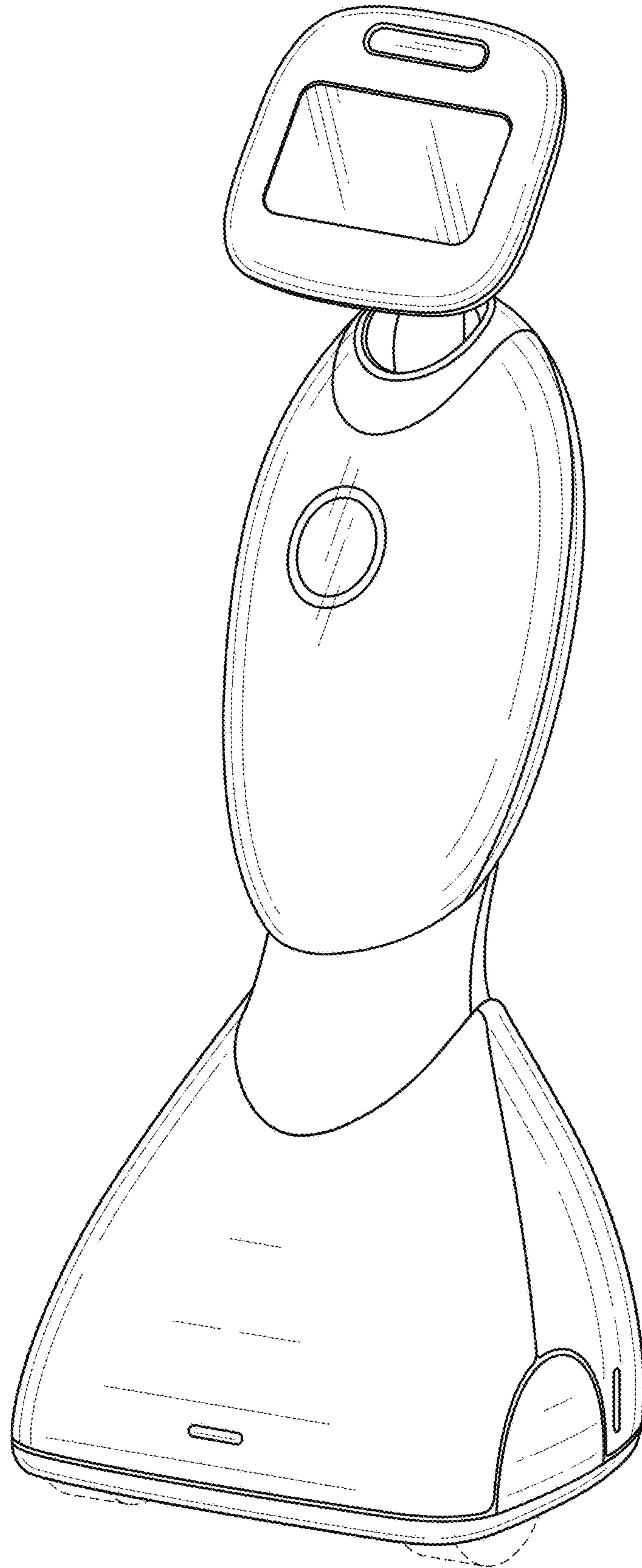


FIG. 2

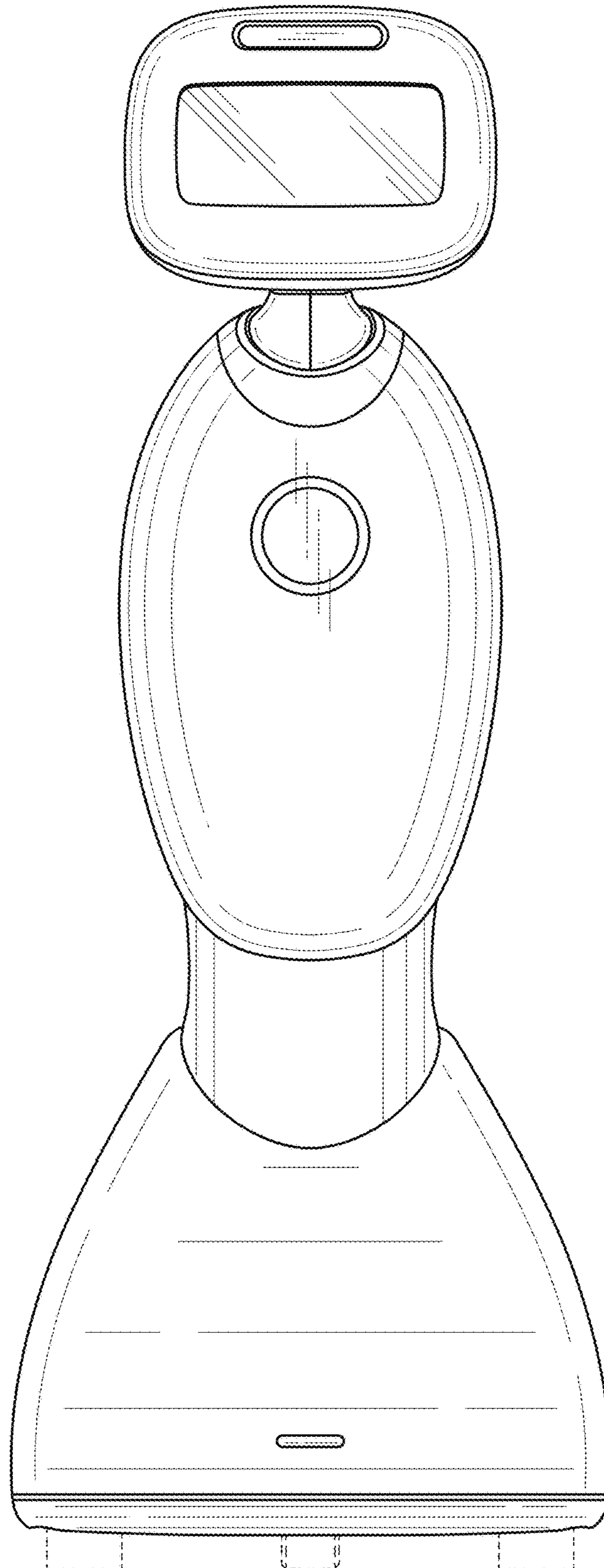


FIG. 3

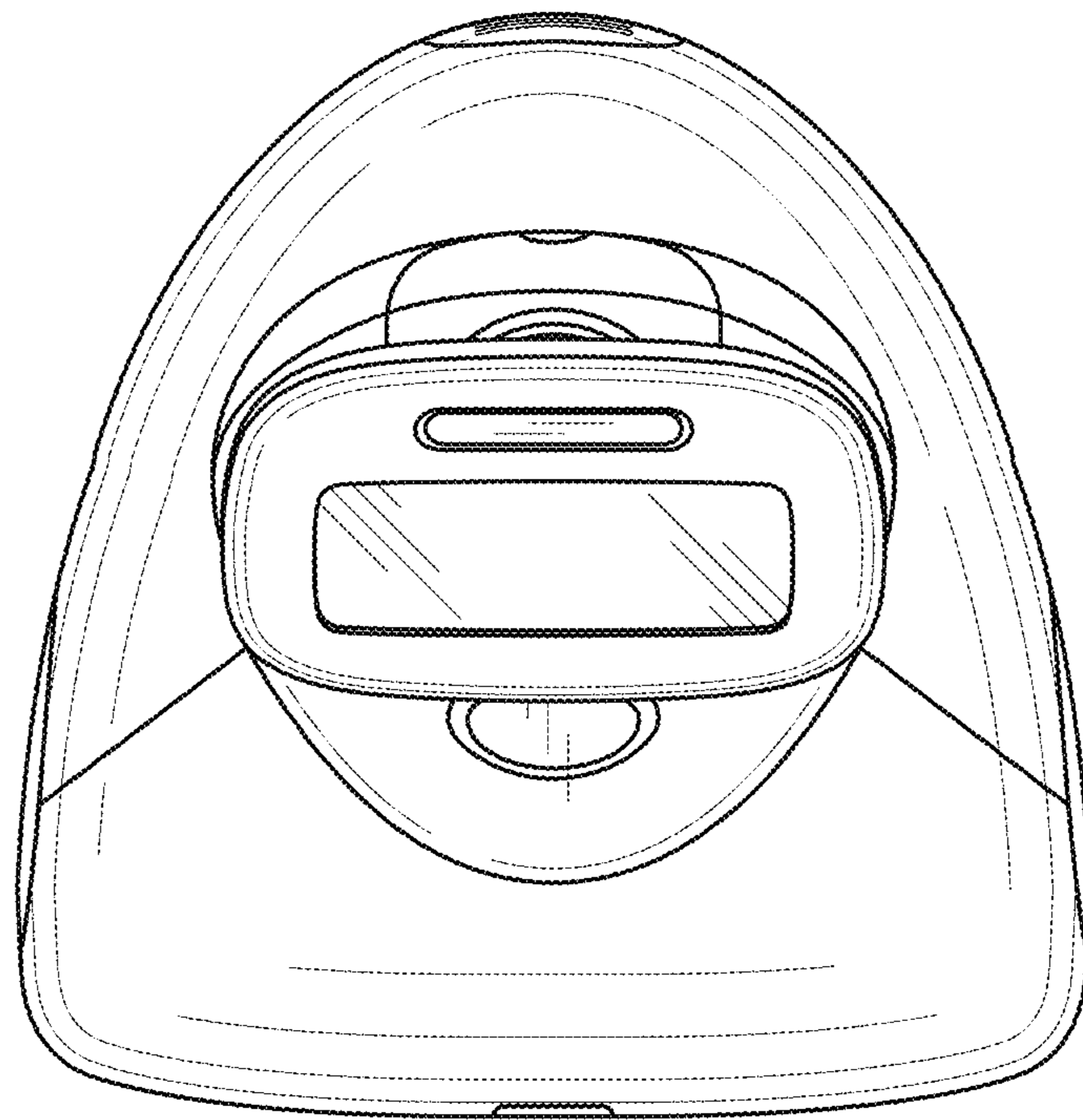


FIG. 4

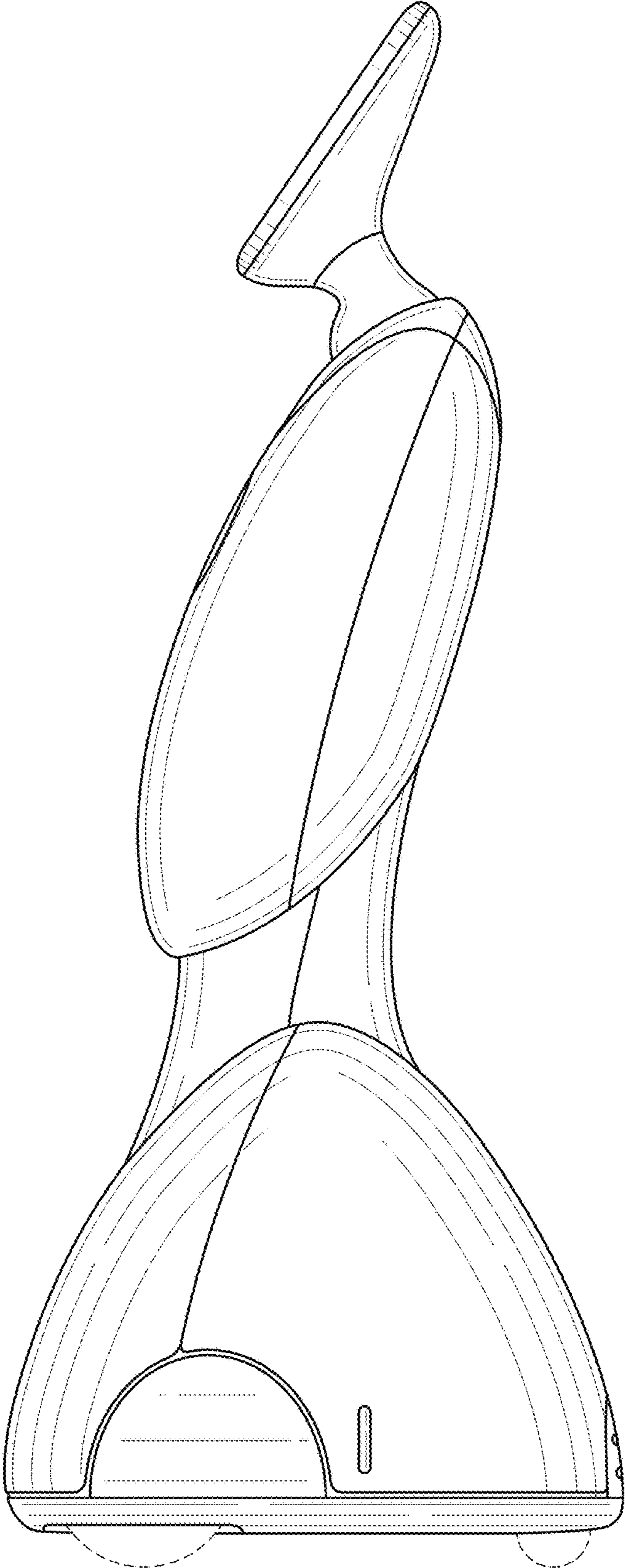


FIG. 5

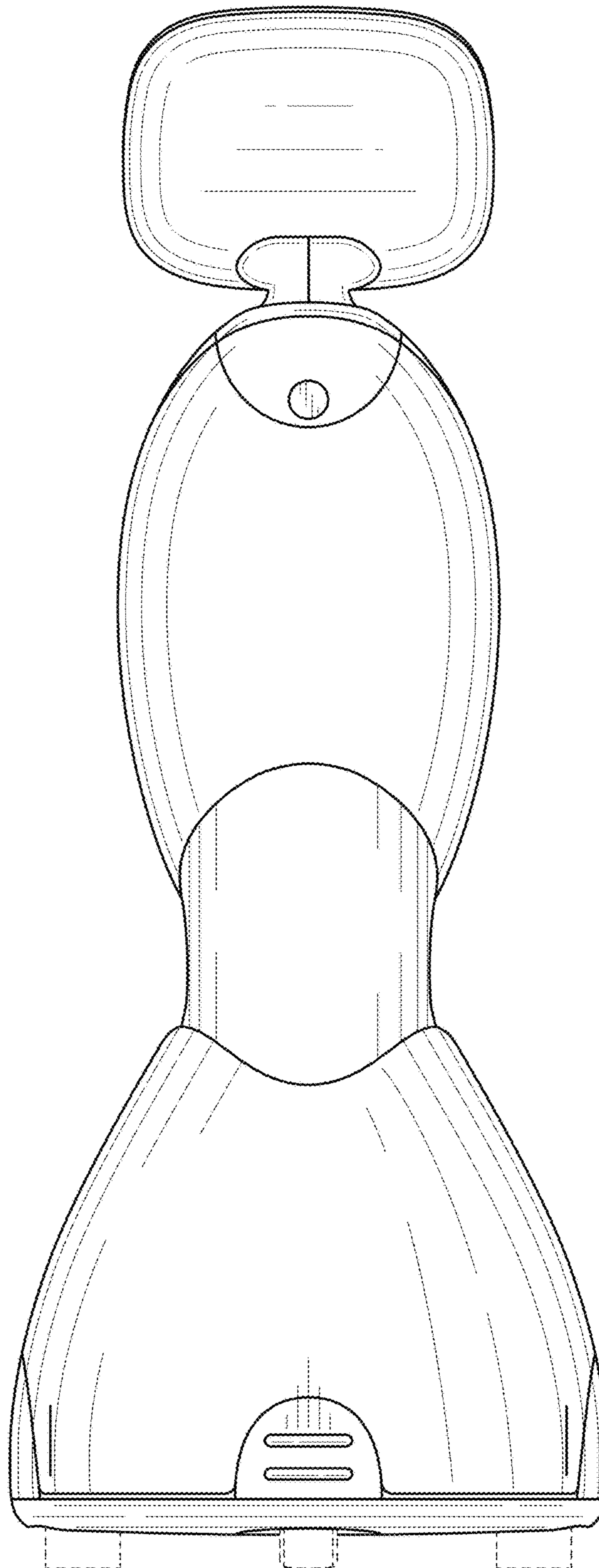


FIG. 6

