



US00D811457S

(12) **United States Design Patent** (10) **Patent No.:** **US D811,457 S**
Sakai et al. (45) **Date of Patent:** **** *Feb. 27, 2018**

(54) **SUBSTRATE CONVEYANCE ARM**

(71) Applicant: **HIRATA CORPORATION**,
Shinagawa-ku (JP)

(72) Inventors: **Tetsuya Sakai**, Tokyo (JP); **Hideki Sakaue**, Tokyo (JP)

(73) Assignee: **HIRATA CORPORATION**,
Shinagawa-ku (JP)

(*) Notice: This patent is subject to a terminal disclaimer.

(**) Term: **15 Years**

(21) Appl. No.: **29/544,295**

(22) Filed: **Nov. 2, 2015**

(51) **LOC (11) Cl.** **15-09**

(52) **U.S. Cl.**
USPC **D15/199**; D15/138

(58) **Field of Classification Search**
USPC D15/138, 199
CPC ... B25J 9/102; B25J 15/08; B25J 15/10; B25J 15/026; Y10S 901/32; Y10S 901/39
See application file for complete search history.

(56) **References Cited**

U.S. PATENT DOCUMENTS

6,189,943	B1 *	2/2001	Manpuku	B25J 15/0616
					294/183
6,578,891	B1 *	6/2003	Suzuki	B25J 13/086
					294/185
D552,138	S *	10/2007	Kondo	D15/199
D665,759	S *	8/2012	Sato	D13/199
D666,979	S *	9/2012	Teramoto	D13/199

(Continued)

Primary Examiner — Patricia A Palasik

(74) *Attorney, Agent, or Firm* — Oblon, McClelland, Maier & Neustadt, L.L.P.

(57) **CLAIM**

The ornamental design for the substrate conveyance arm, as shown and described.

DESCRIPTION

FIG. 1 is a front perspective view of the substrate conveyance arm according to the first embodiment showing our new design;

FIG. 2 is a rear perspective view thereof;

FIG. 3 is a front view thereof;

FIG. 4 is a rear view thereof;

FIG. 5 is a right side view thereof;

FIG. 6 is a left side view thereof;

FIG. 7 is a top plan view thereof;

FIG. 8 is a bottom view thereof;

FIG. 9 is a partially enlarged view of a circle portion of 9 in FIG. 1 thereof;

FIG. 10 is a partially enlarged view of a circle portion of 10 in FIG. 2 thereof;

FIG. 11 is a cross sectional view at 11-11 in FIG. 3 thereof;

FIG. 12 is a front perspective view of the substrate conveyance arm according to the second embodiment showing our new design;

FIG. 13 is a rear perspective view thereof;

FIG. 14 is a front view thereof;

FIG. 15 is a rear view thereof;

FIG. 16 is a right side view thereof;

FIG. 17 is a left side view thereof;

FIG. 18 is a top plan view thereof;

FIG. 19 is a bottom view thereof;

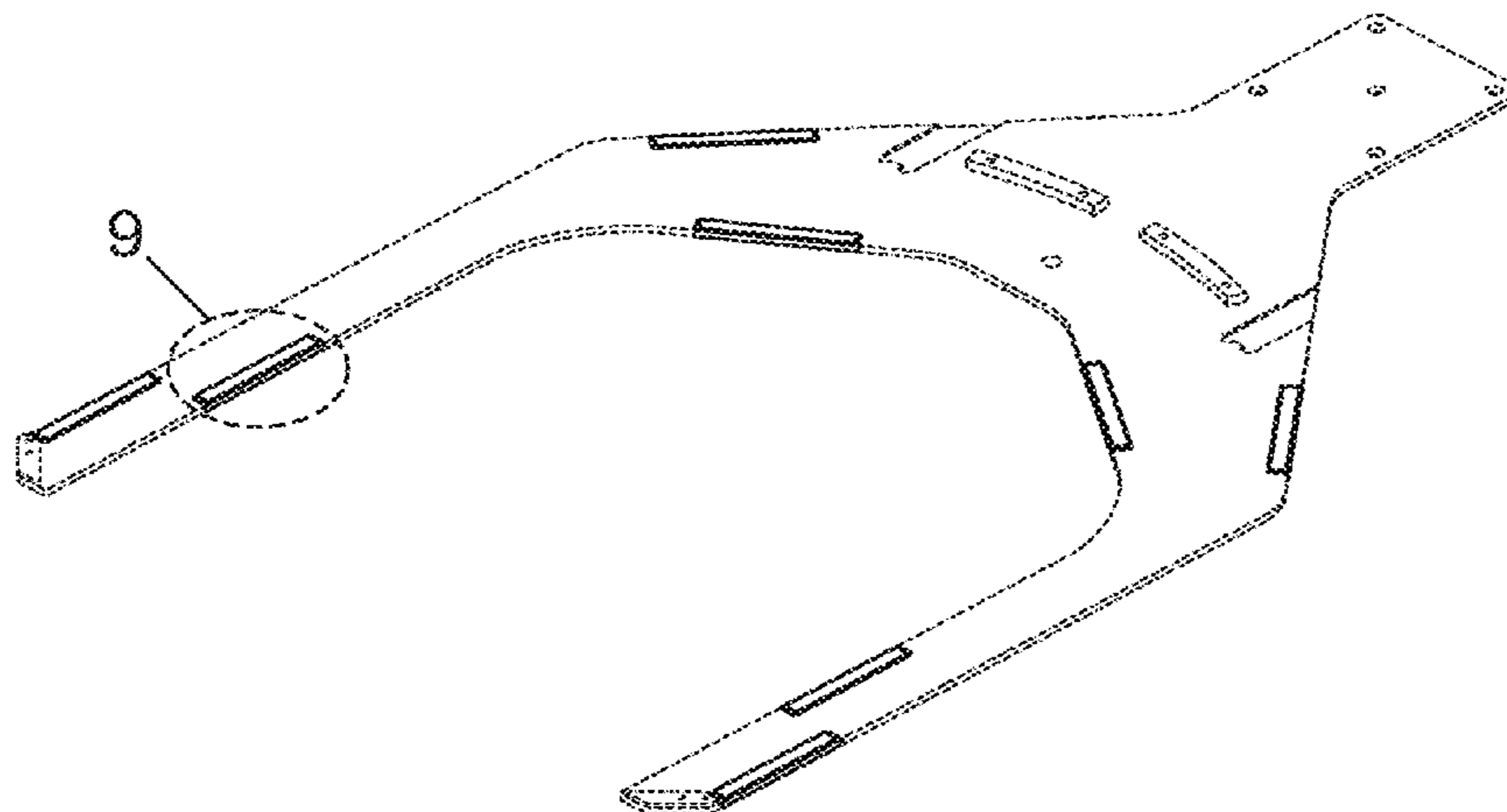
FIG. 20 is a partially enlarged view of a circle portion of 20 in FIG. 12 thereof;

FIG. 21 is a partially enlarged view of a circle portion of 21 in FIG. 13 thereof; and,

FIG. 22 is a cross sectional view at 22-22 in FIG. 14 thereof.

The broken lines in the drawings depict unclaimed environmental subject matter.

1 Claim, 12 Drawing Sheets



(56)

References Cited

U.S. PATENT DOCUMENTS

2006/0210387 A1* 9/2006 Saeiki B25J 9/042
414/744.5
2012/0189419 A1* 7/2012 Yazawa B25J 9/043
414/744.2
2012/0301832 A1* 11/2012 Tsuruda B32B 38/10
430/322
2016/0148812 A1* 5/2016 Kang H01L 21/31111
438/694
2017/0052460 A1* 2/2017 Yoneda G03F 7/70733

* cited by examiner

FIG. 1

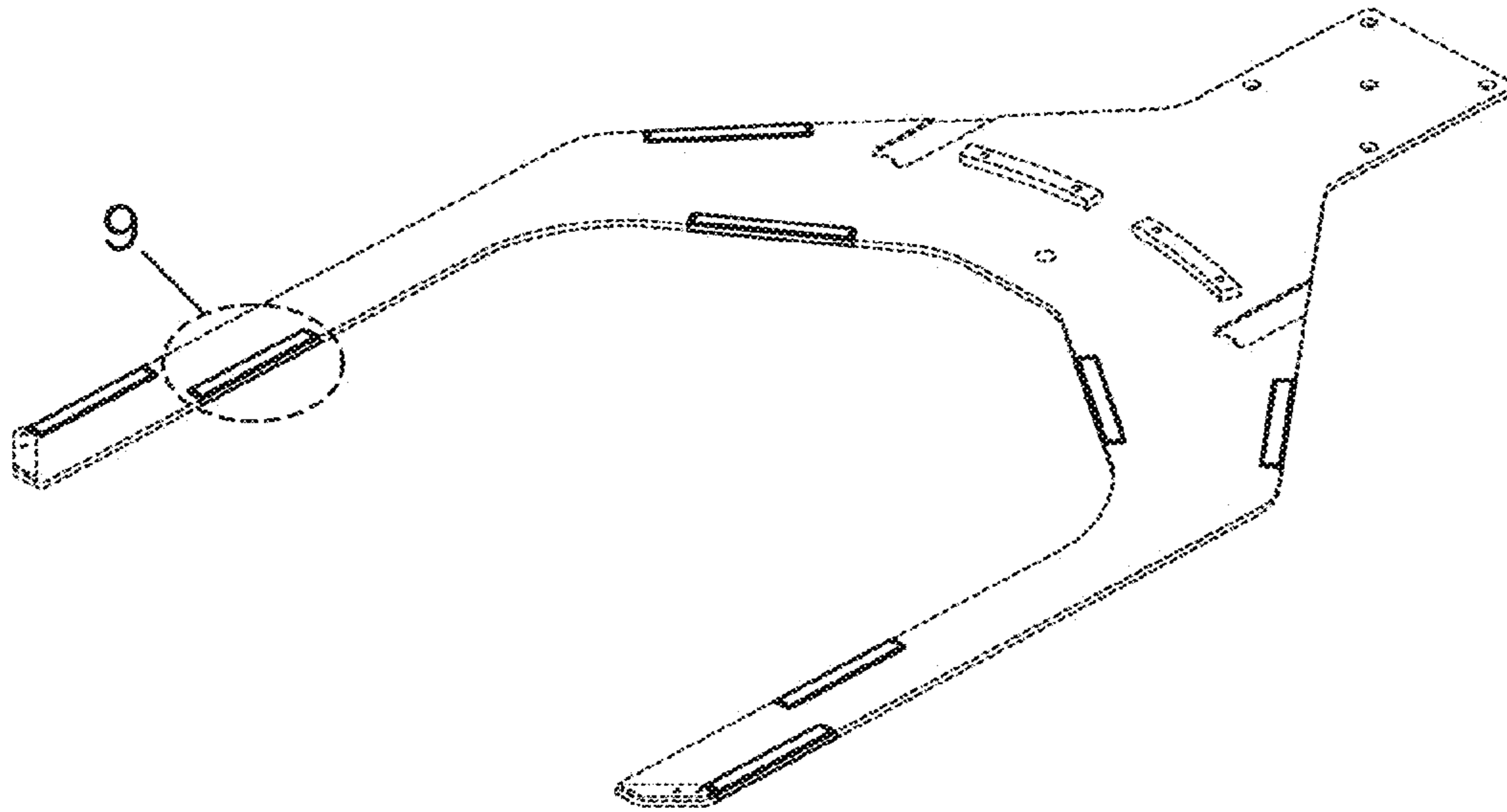


FIG. 2

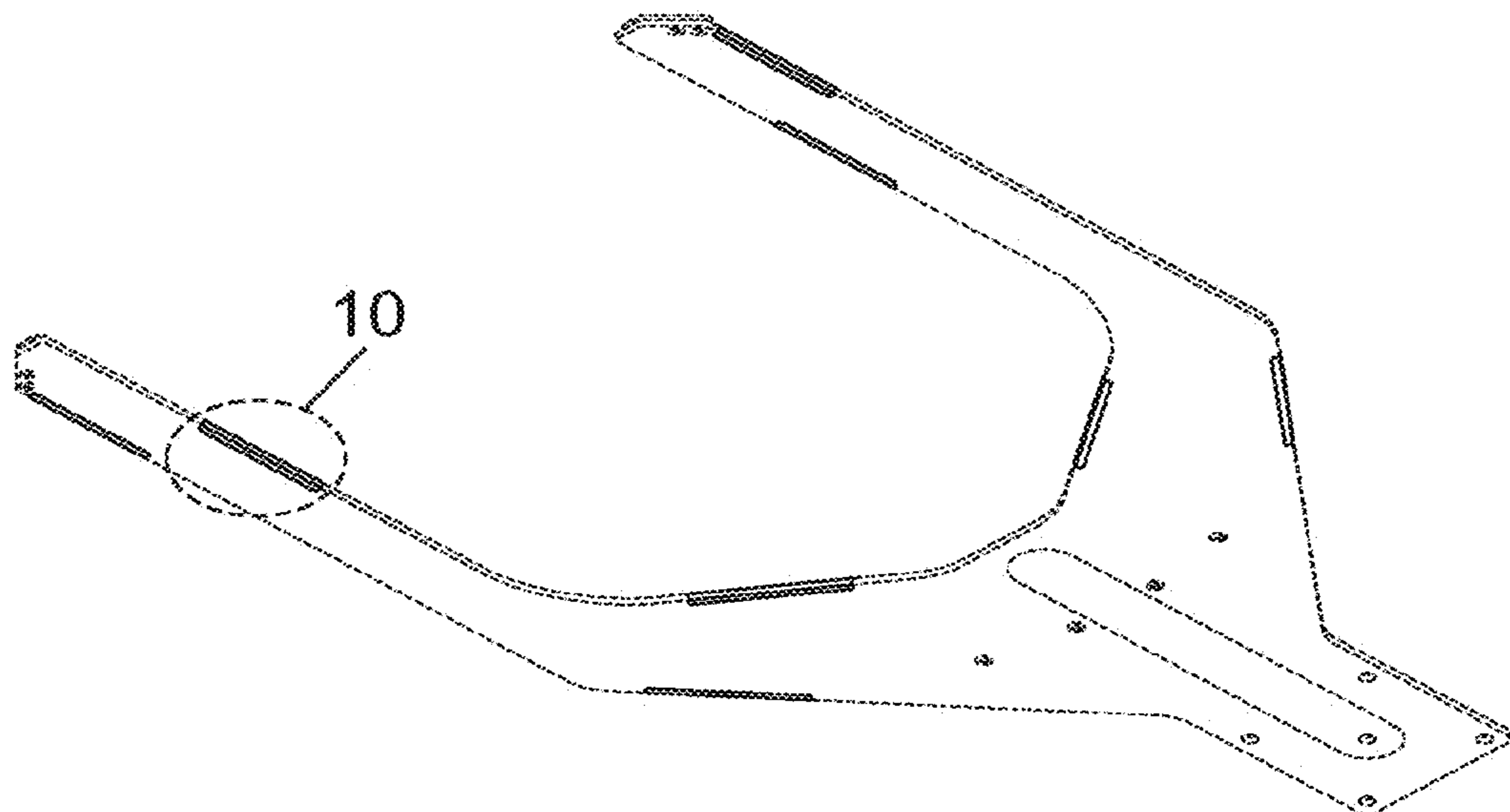


FIG. 3

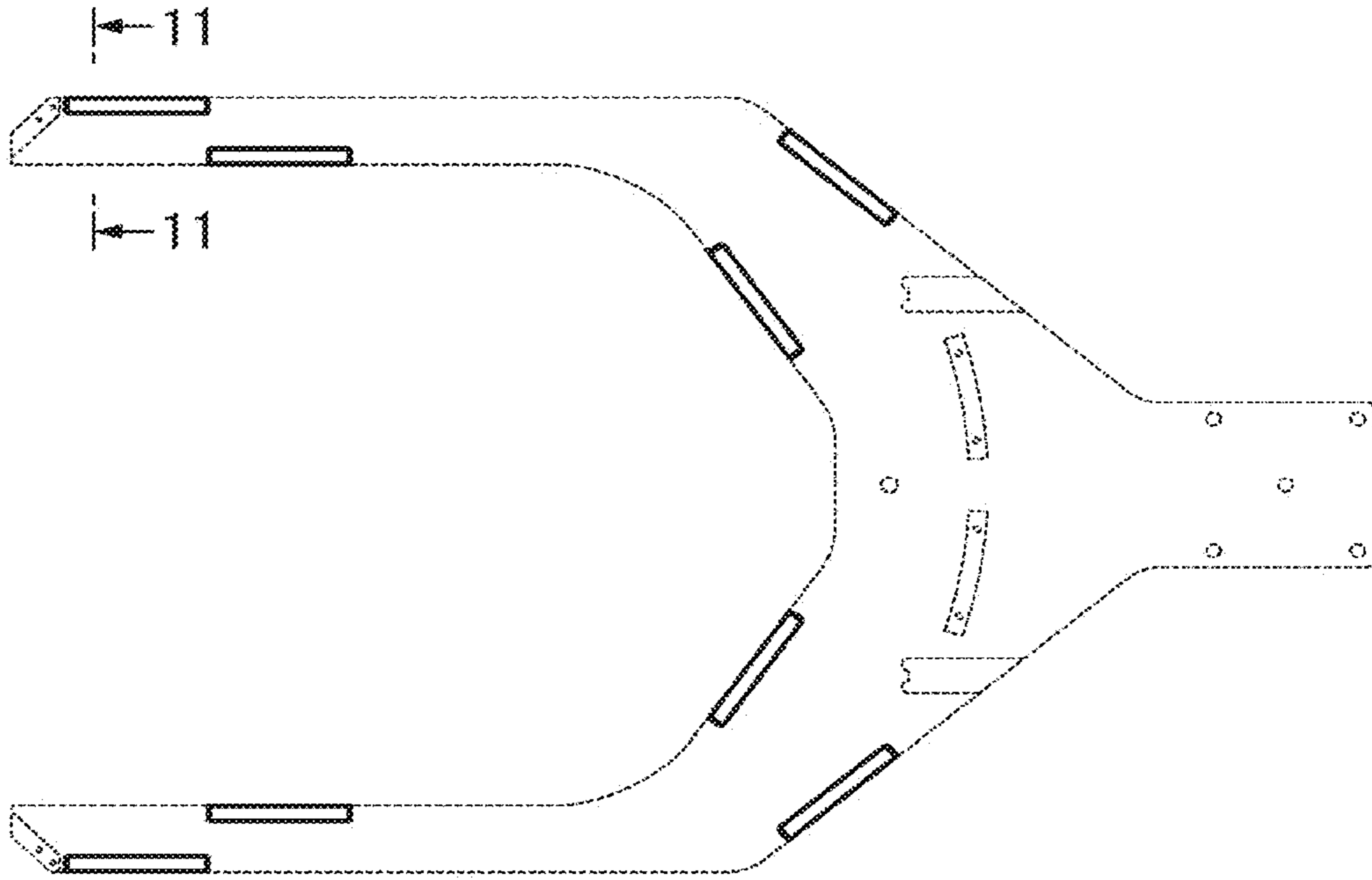


FIG. 4

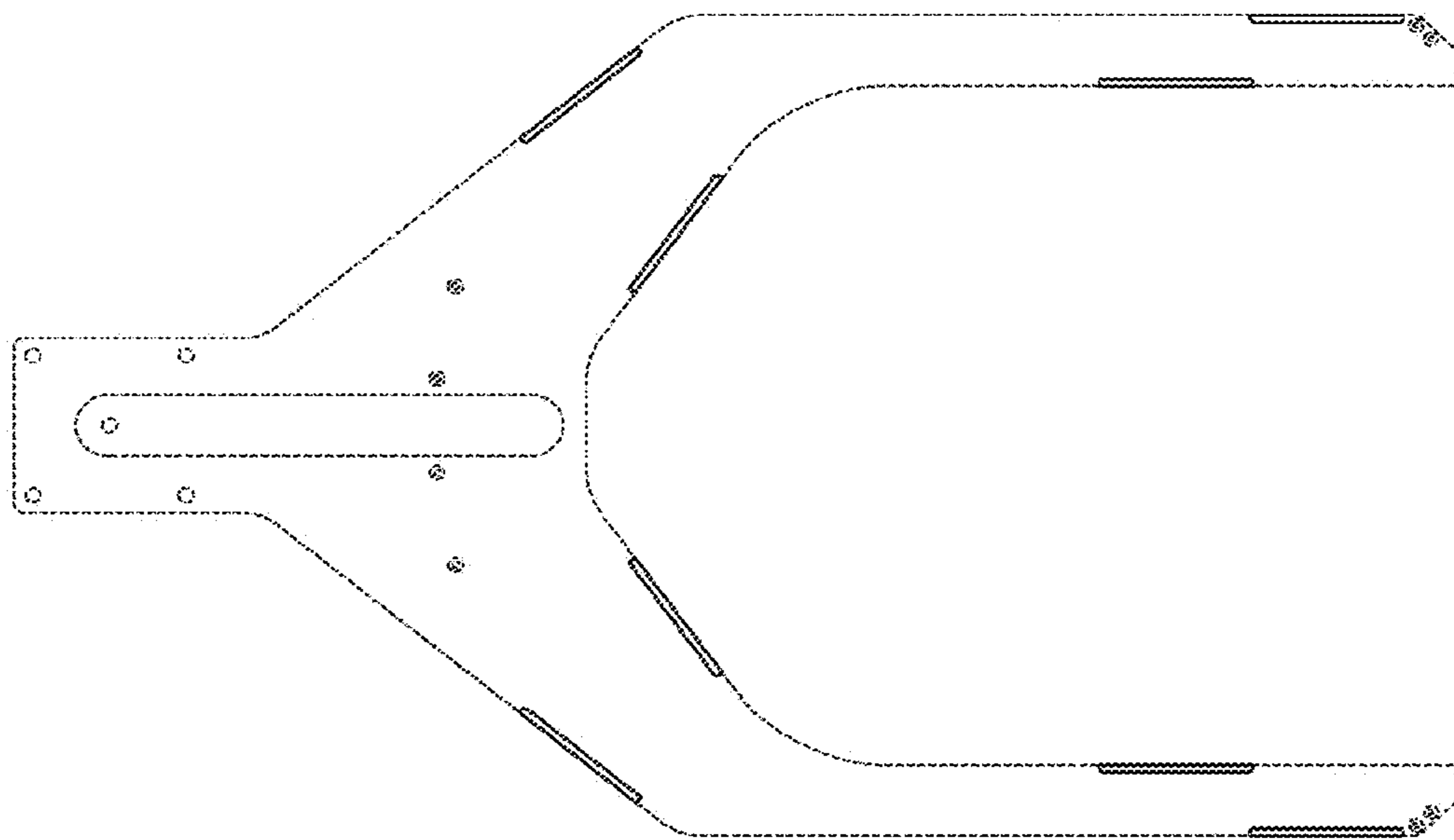


FIG. 5

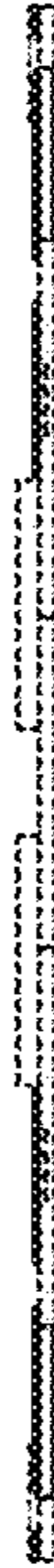


FIG. 6

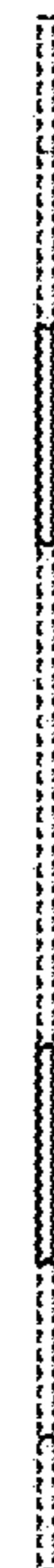


FIG. 7

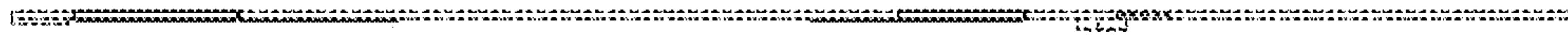


FIG. 8



FIG. 9

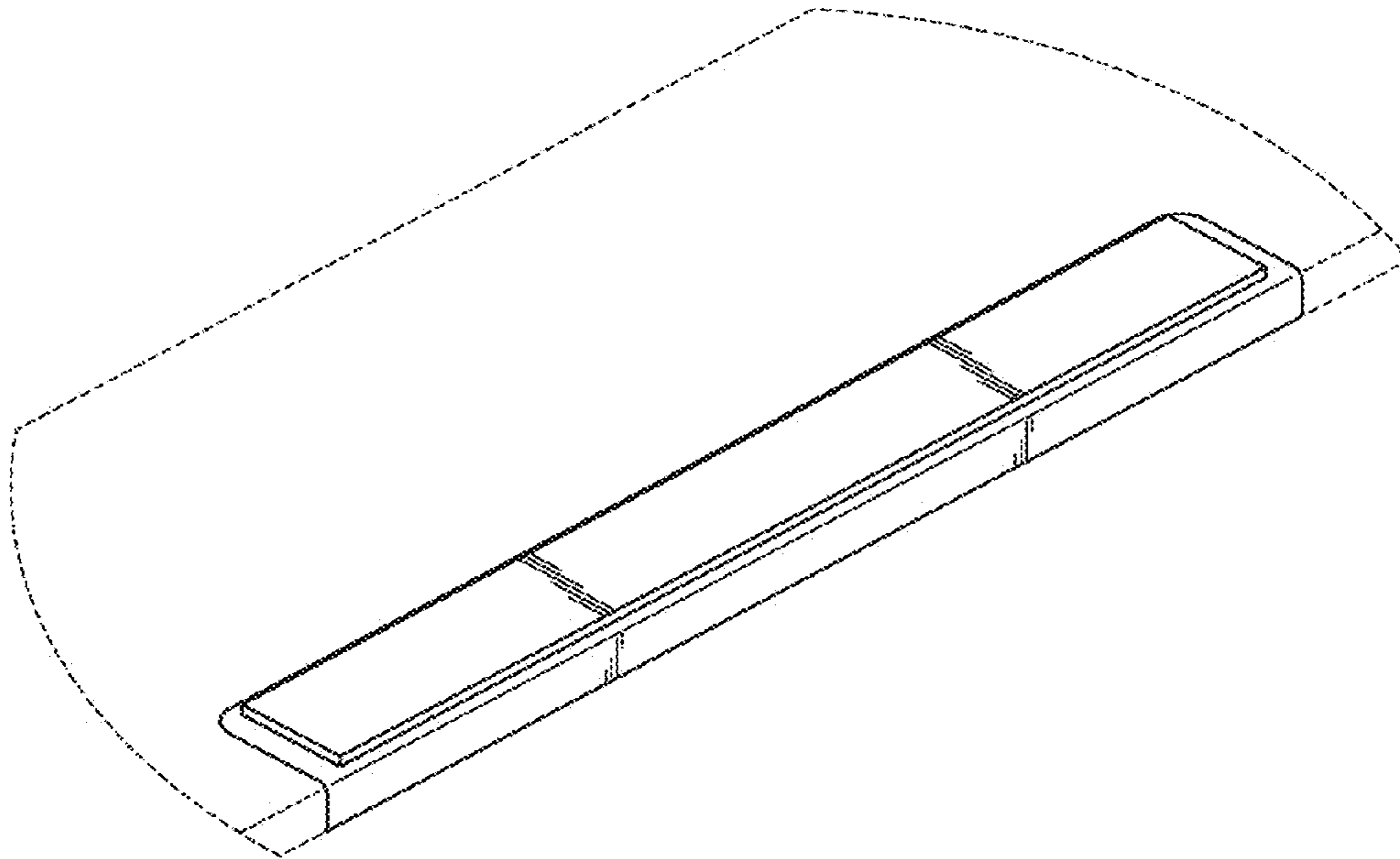


FIG. 10

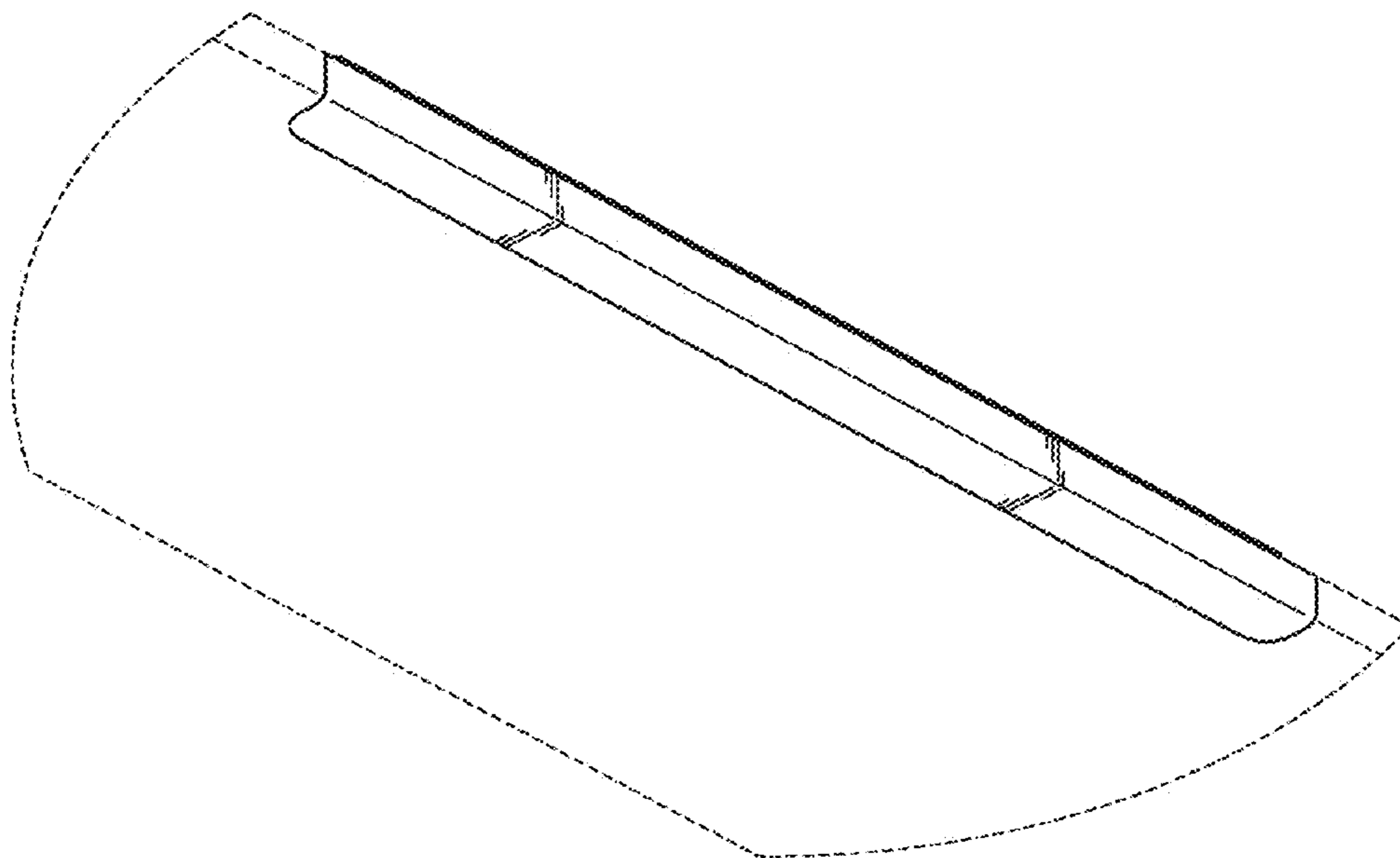


FIG. 11

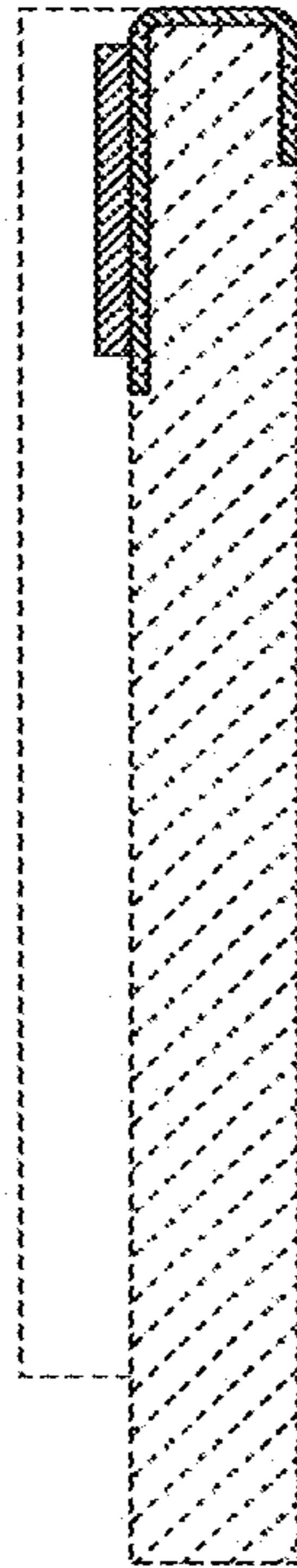


FIG. 12

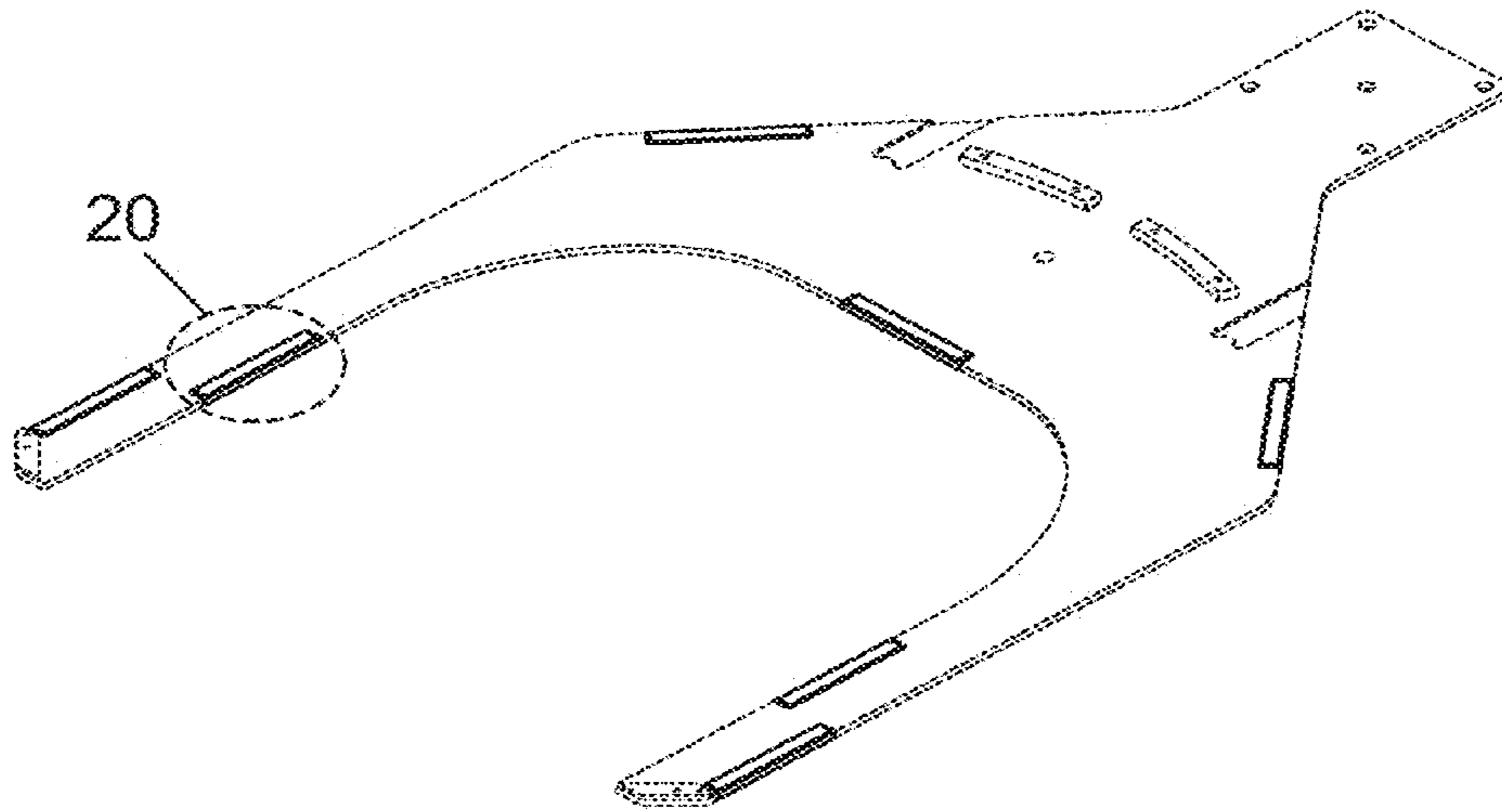


FIG. 13

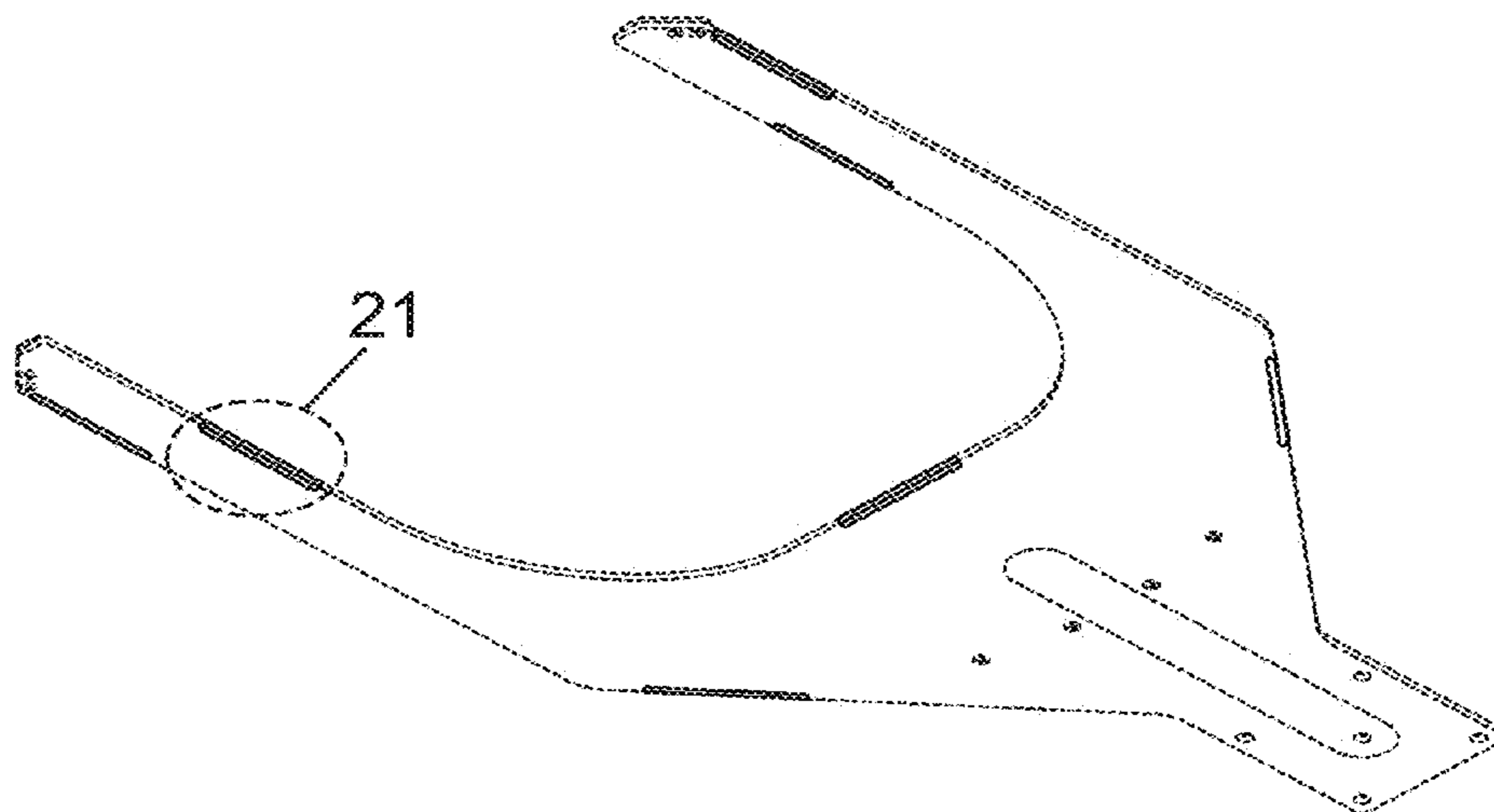


FIG. 14

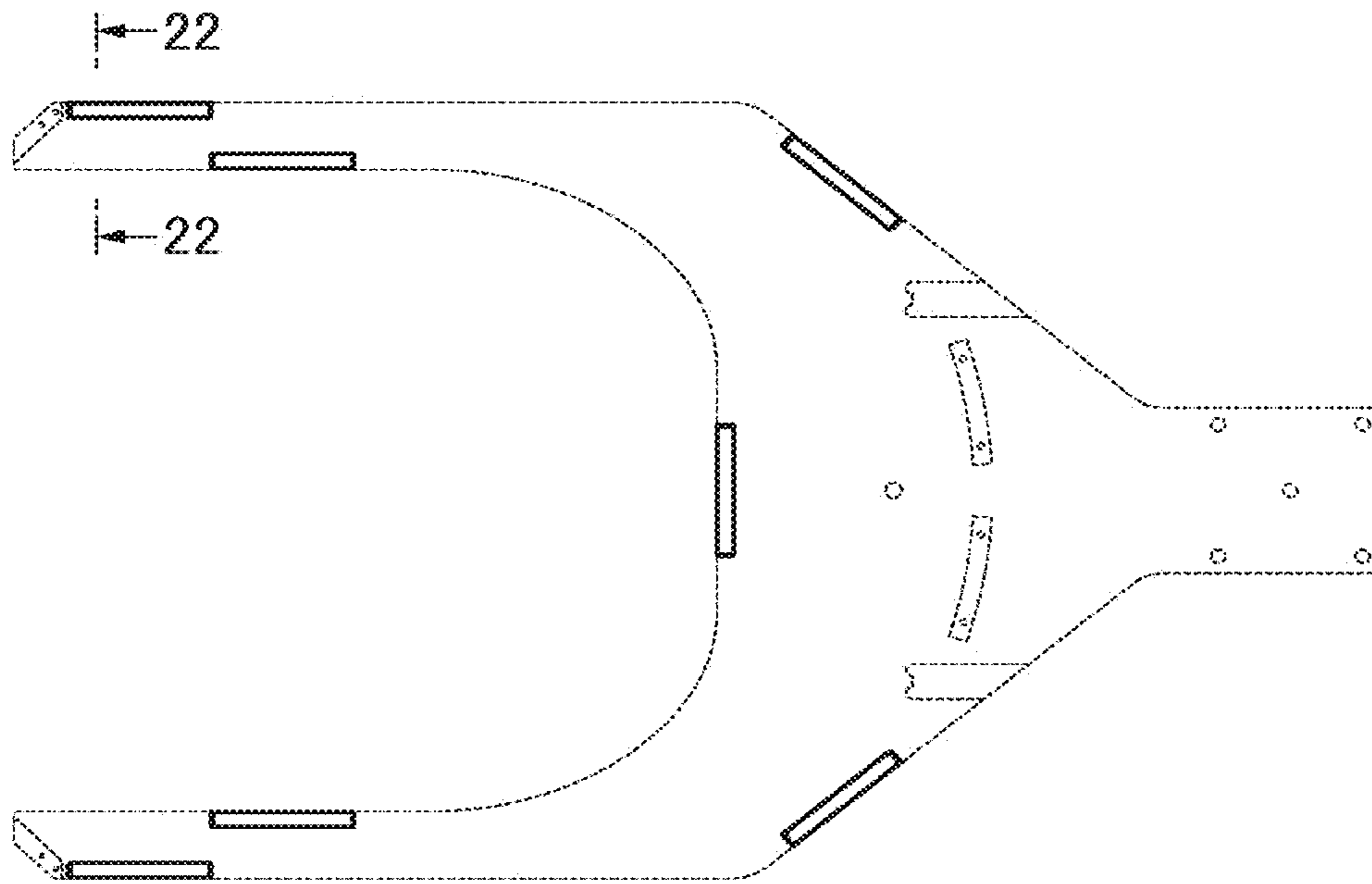


FIG. 15

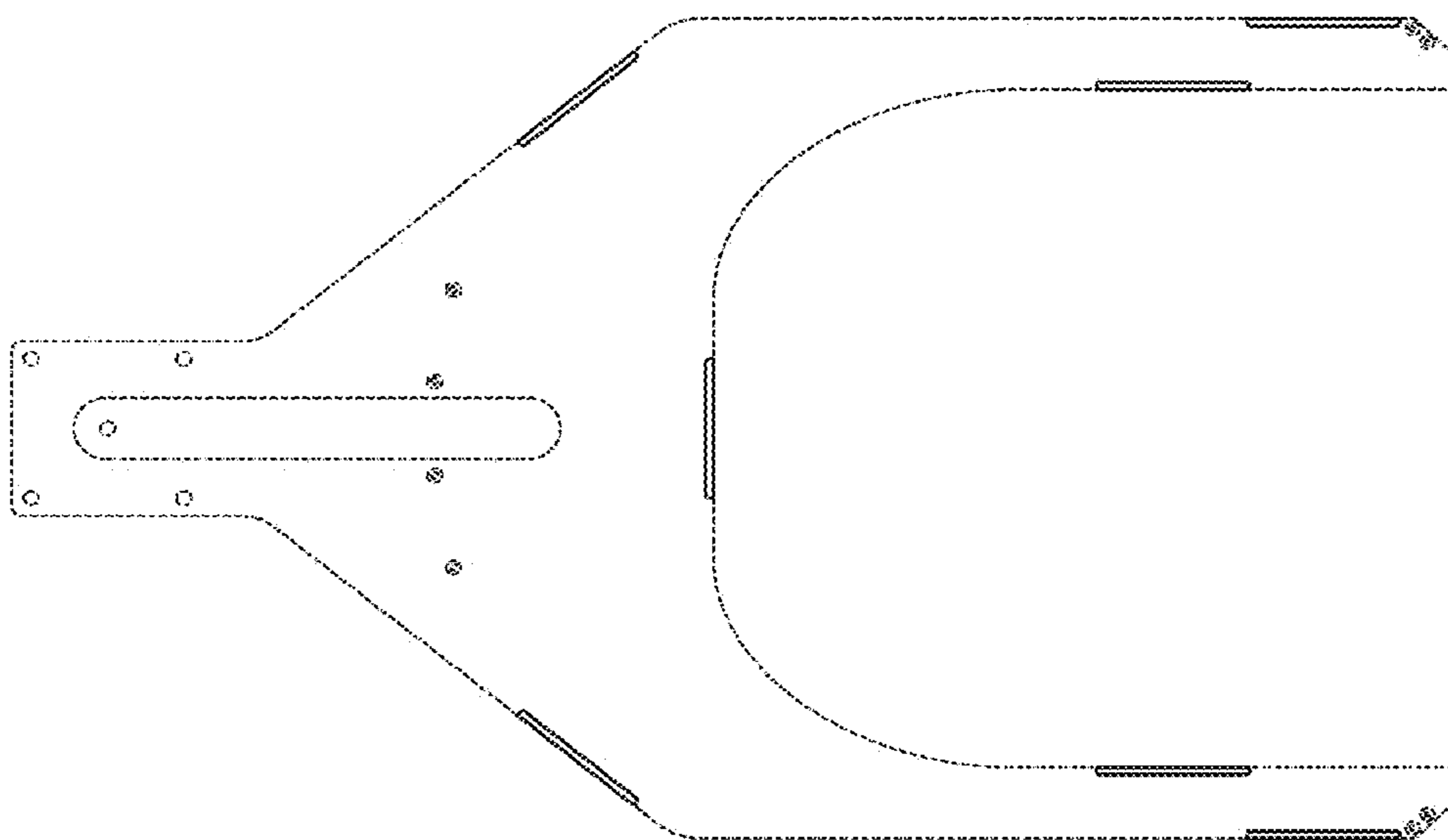


FIG. 16

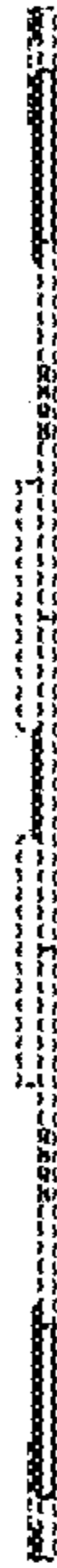


FIG. 17



FIG. 18

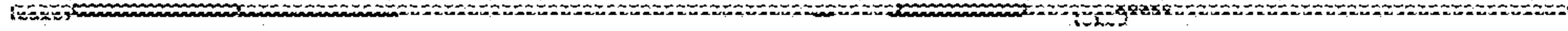


FIG. 19

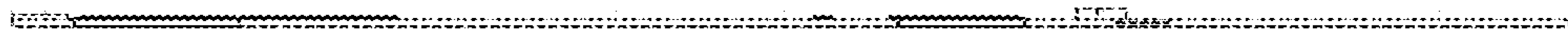


FIG. 20

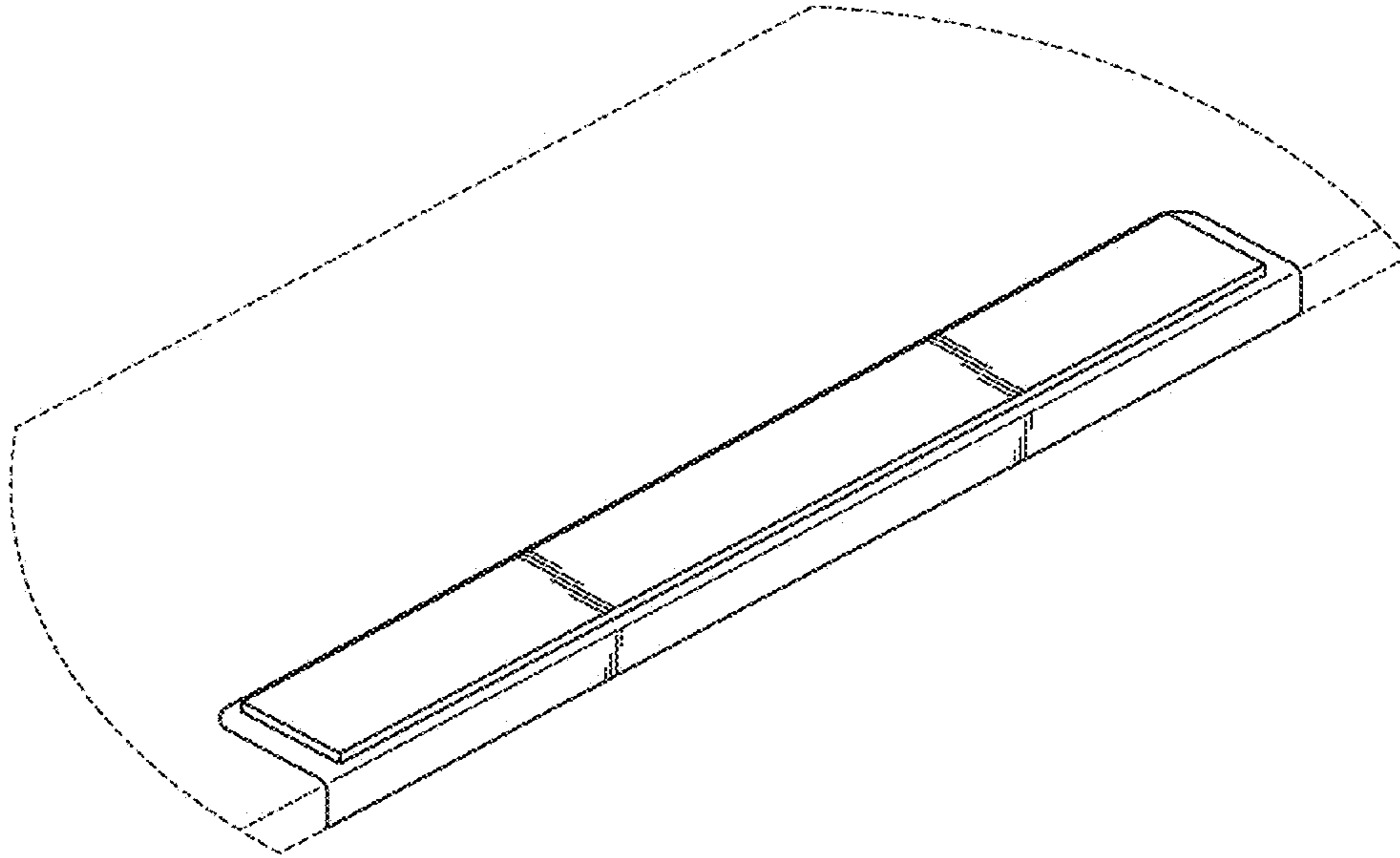


FIG. 21

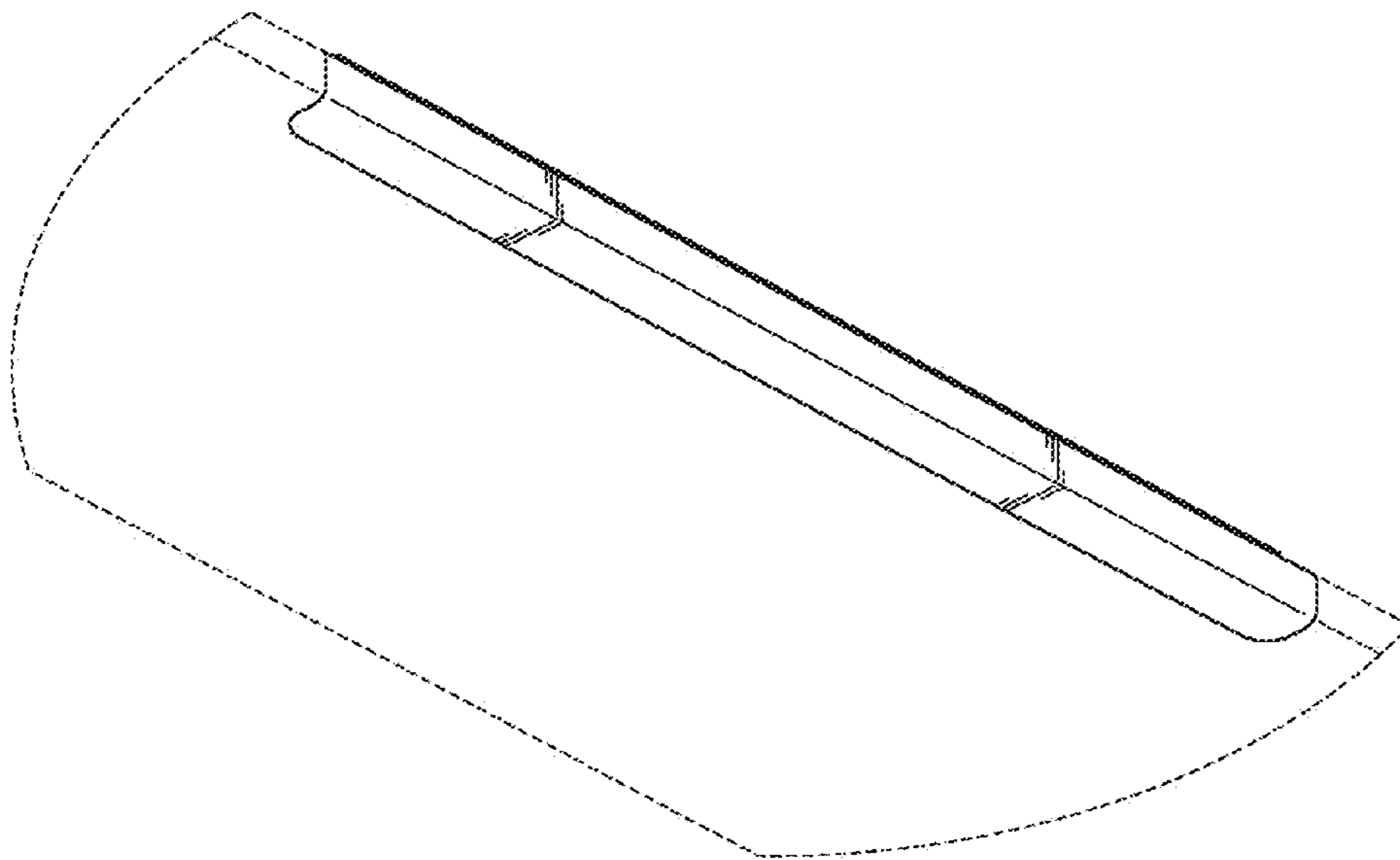


FIG. 22

