



US00D811456S

(12) **United States Design Patent**
Dekker et al.

(10) **Patent No.:** **US D811,456 S**

(45) **Date of Patent:** **** Feb. 27, 2018**

(54) **PORTABLE WELDING POWER SOURCE**

(71) Applicant: **ESAB AB**, Gothenburg (SE)

(72) Inventors: **Jeroen Dekker**, Olofstorp (SE); **Metin Kaplan**, Västra Frölunda (SE)

(73) Assignee: **ESAB AB**, Gothenburg (SE)

(**) Term: **15 Years**

(21) Appl. No.: **29/590,860**

(22) Filed: **Jan. 13, 2017**

(30) **Foreign Application Priority Data**

Jul. 14, 2016 (EM) 003306125-0001

(51) **LOC (11) Cl.** **15-09**

(52) **U.S. Cl.**
USPC **D15/144**

(58) **Field of Classification Search**
USPC D8/29.1, 30, 123, 133; D15/144, 144.1,
D15/144.2

CPC B23K 9/32; B23K 9/028; B23K 9/1006;
B23K 9/1735; B23K 11/28; B23K 37/053
See application file for complete search history.

(56) **References Cited**

U.S. PATENT DOCUMENTS

D357,927 S *	5/1995	Soderholm	D15/144.1
D416,030 S *	11/1999	Weller	D15/144.1
6,046,664 A *	4/2000	Weller	B23K 9/1006 336/182
D520,038 S *	5/2006	Ljungfeldt	D15/144.1
D530,349 S *	10/2006	Ishihara	D15/144.2
D569,883 S *	5/2008	Wang	D15/144
D569,884 S *	5/2008	Shu	D15/144

D626,576 S *	11/2010	Gramatyka	D15/144
D654,519 S *	2/2012	Wujczak	D15/144
D665,833 S *	8/2012	Raymond	D15/144
D679,738 S *	4/2013	Segala	D15/144
D752,665 S *	3/2016	Kindig	D15/144
D754,626 S *	4/2016	Evans	D15/144
D775,250 S *	12/2016	Snead	D15/144
D777,231 S *	1/2017	Ide	D15/144
D778,331 S *	2/2017	Ide	D15/144
2004/0084428 A1 *	5/2004	Cigelske, Jr.	B23K 9/32 219/130.1
2006/0124620 A1 *	6/2006	Diekmann	B23K 9/1006 219/130.1
2011/0192823 A1 *	8/2011	Williams	B23K 9/16 219/121.39
2015/0021306 A1 *	1/2015	Rozmarynowski	B23K 9/1043 219/130.1
2017/0225257 A1 *	8/2017	Lapelosa	B23K 9/32

* cited by examiner

Primary Examiner — Patricia A Palasik

(74) *Attorney, Agent, or Firm* — Edell, Shapiro & Finnan, LLC

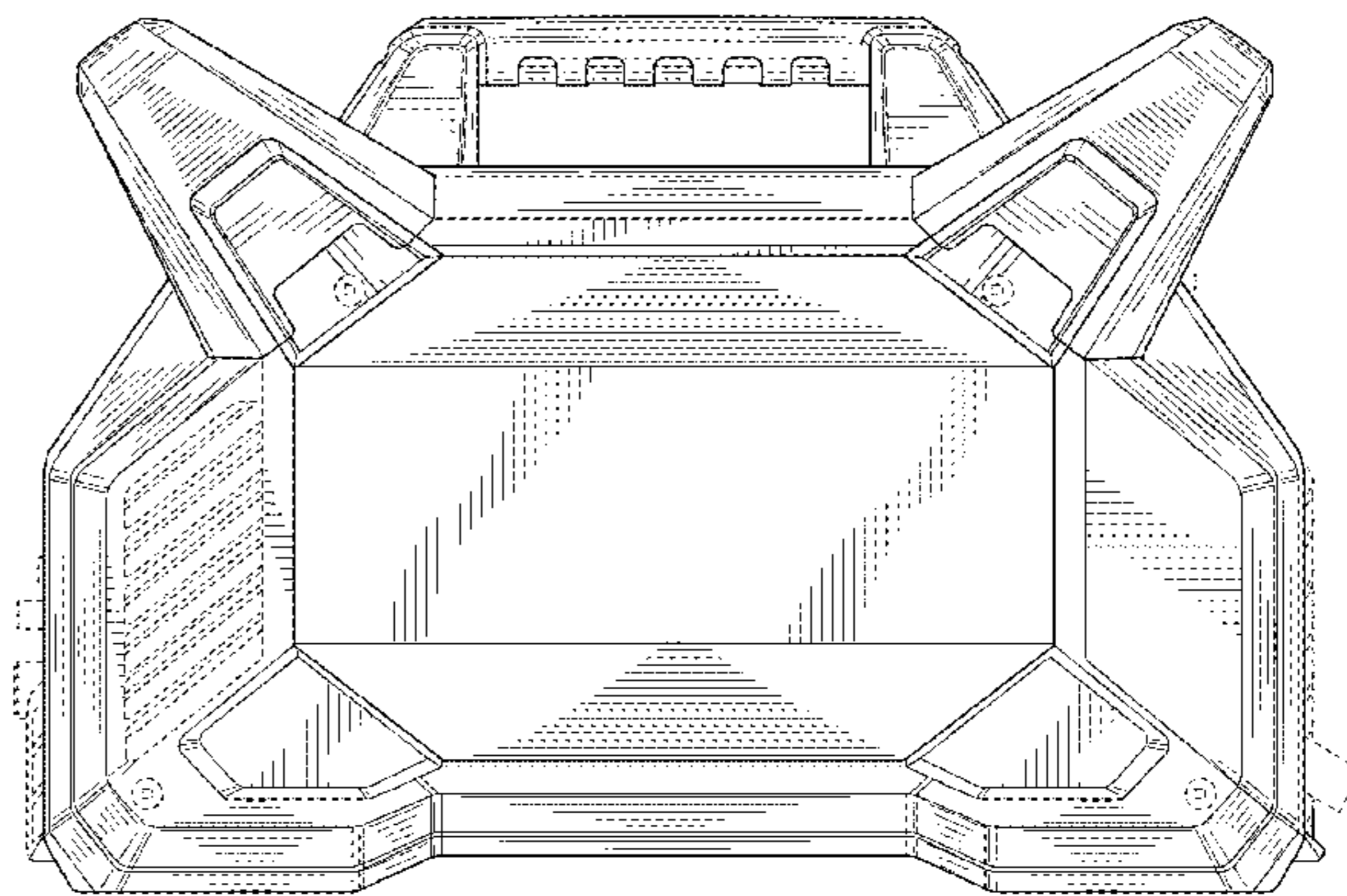
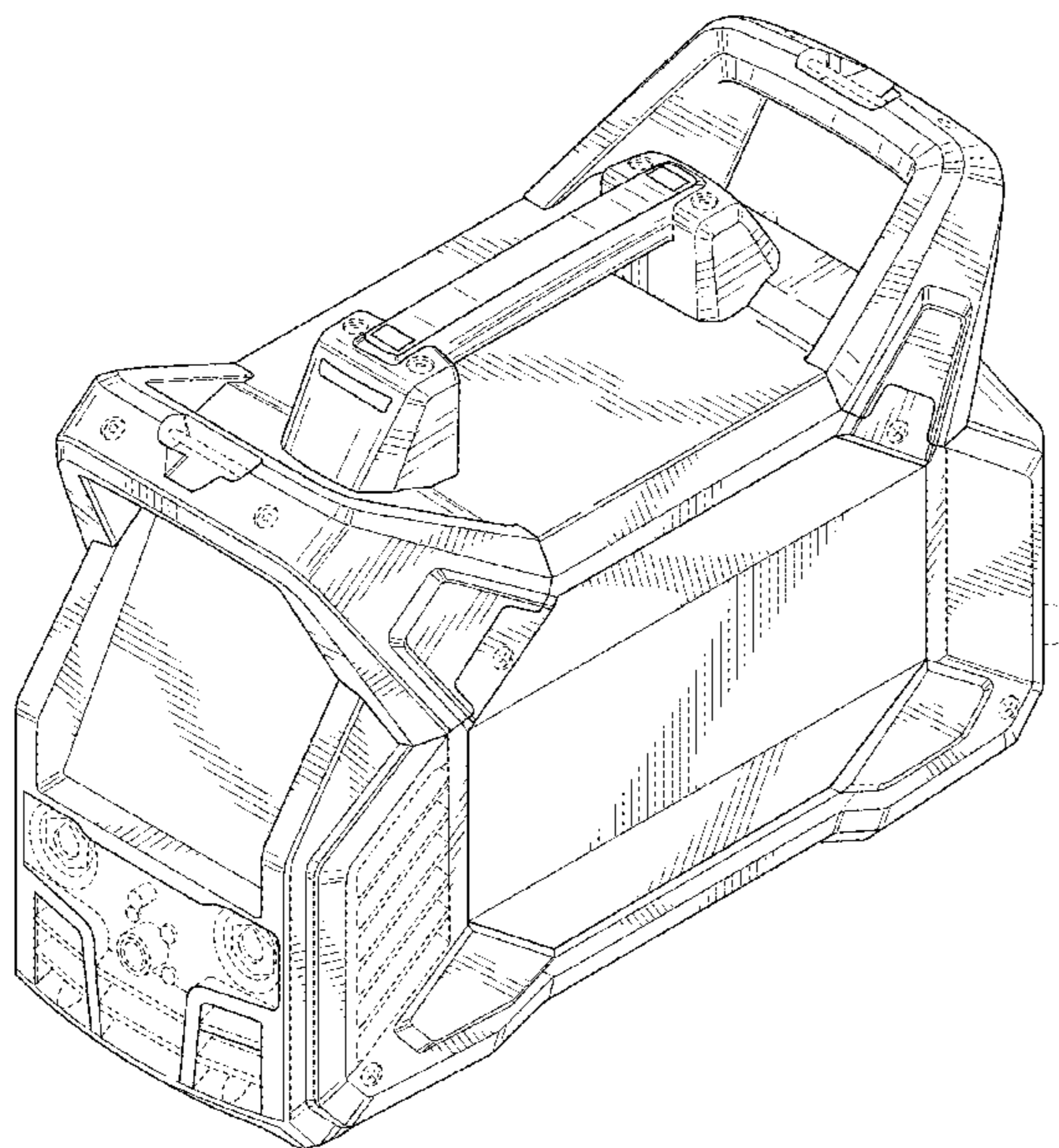
(57) **CLAIM**

The ornamental design for a portable welding power source, as shown and described.

DESCRIPTION

FIG. 1 is a front isometric view of my new design; FIG. 2 is a side view of the design of FIG. 1; FIG. 3 is another side view of the design of FIG. 1; FIG. 4 is a front view of the design of FIG. 1; FIG. 5 is a rear view of the design of FIG. 1; FIG. 6 is a top view of the design of FIG. 1; and, FIG. 7 is a bottom view of the design of FIG. 1. The broken lines illustrate the environmental structure and form no part of the claimed design.

1 Claim, 6 Drawing Sheets



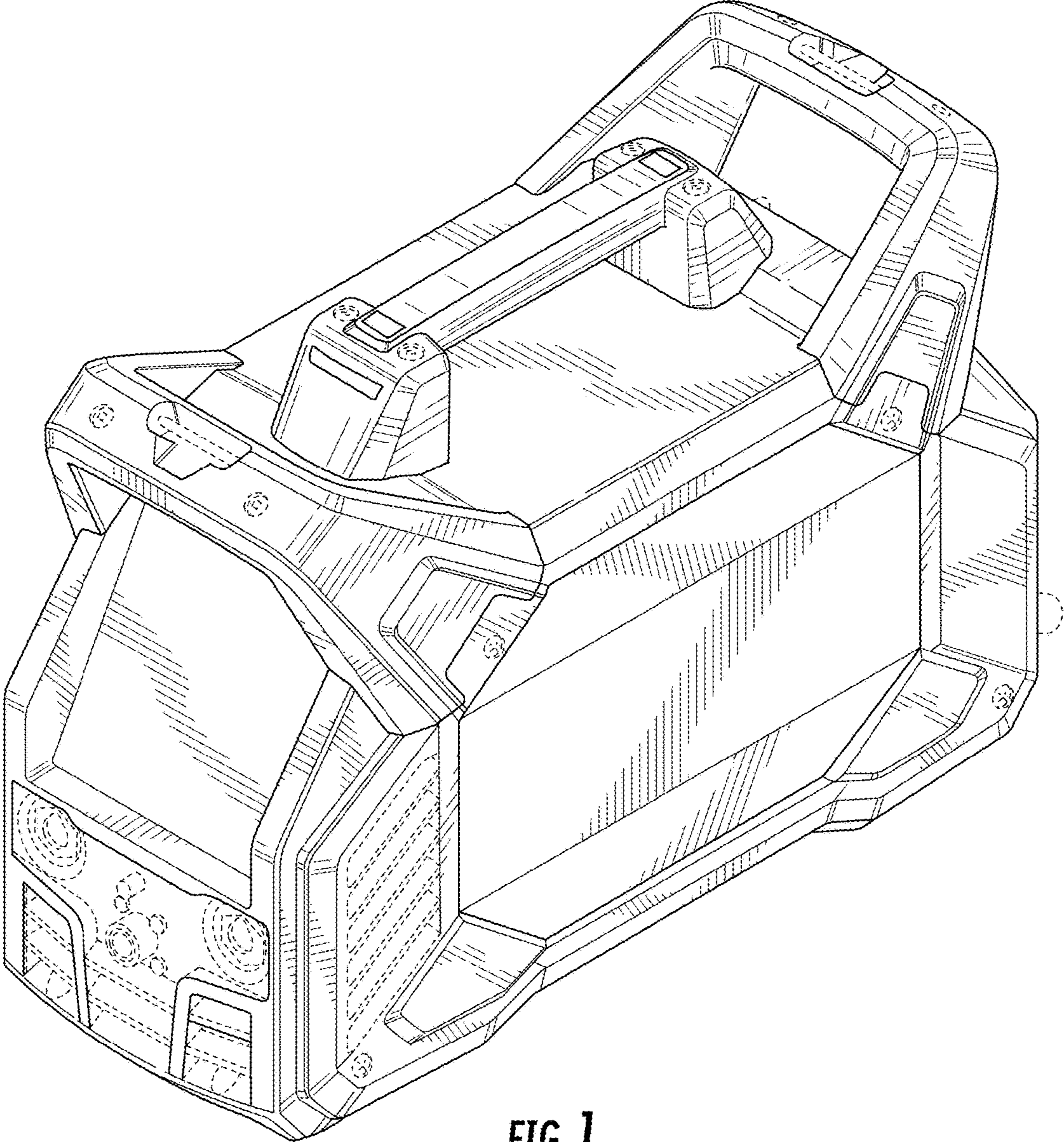


FIG. 1

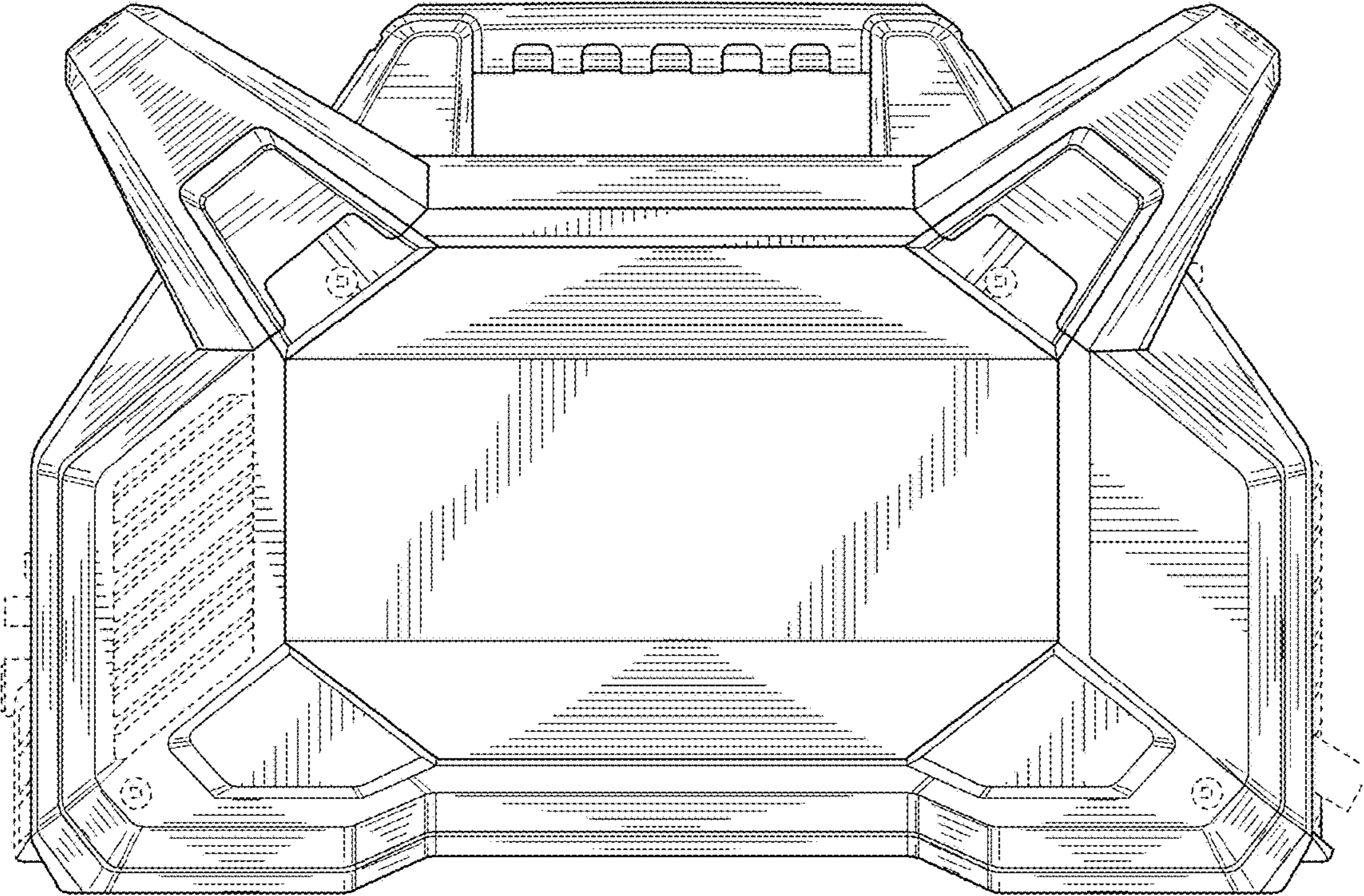


FIG. 2

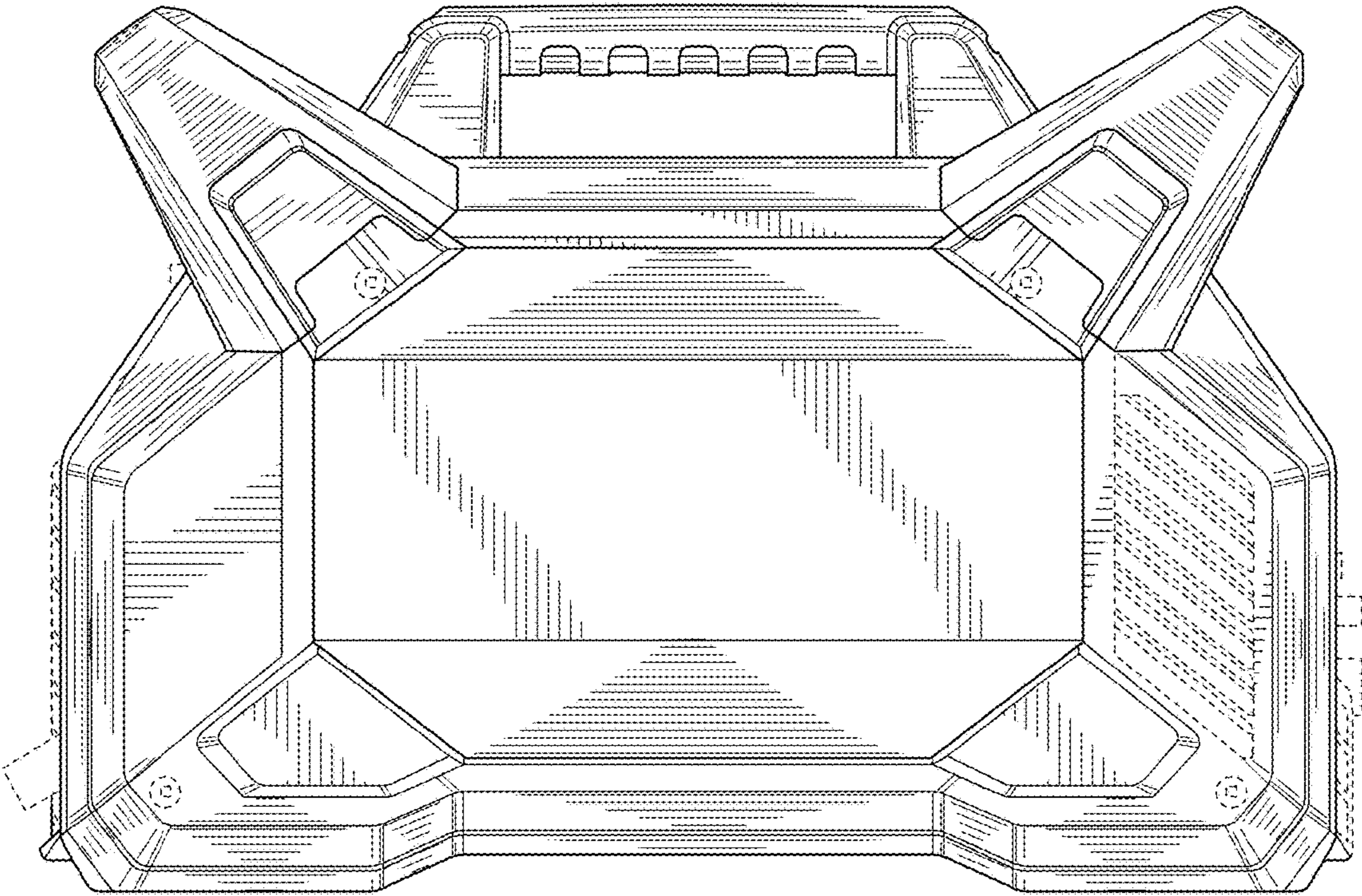


FIG. 3

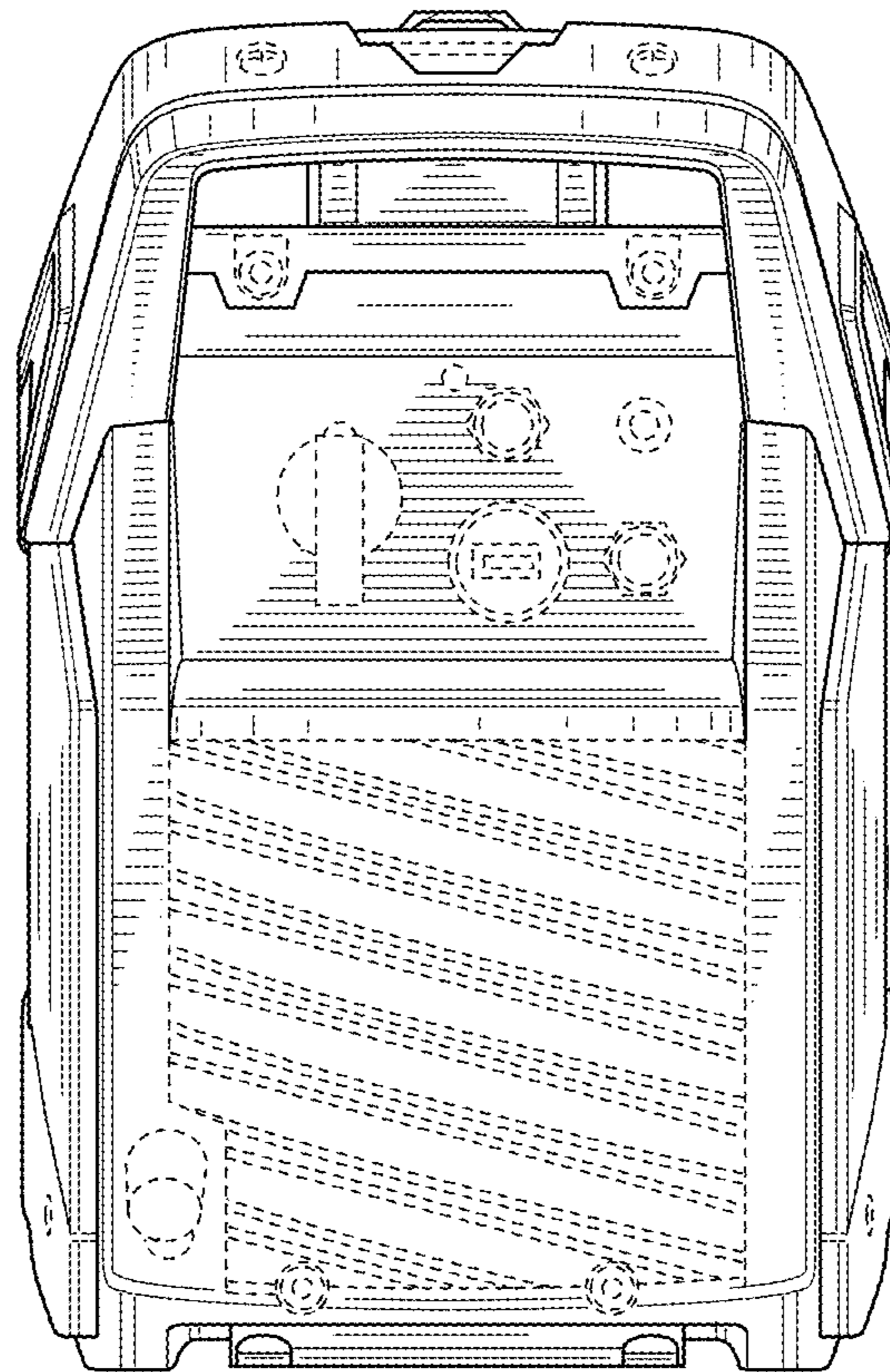


FIG. 4

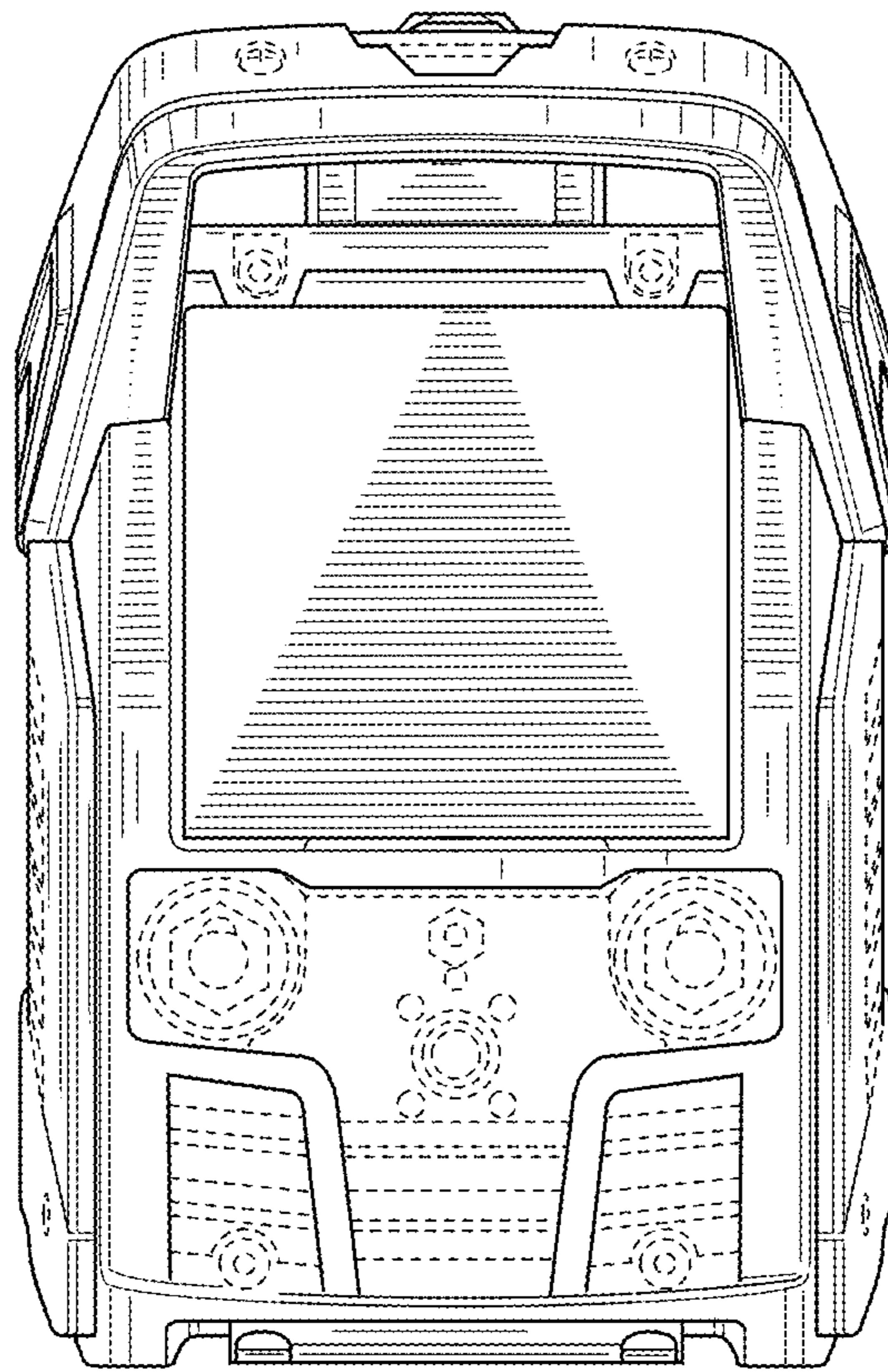


FIG. 5

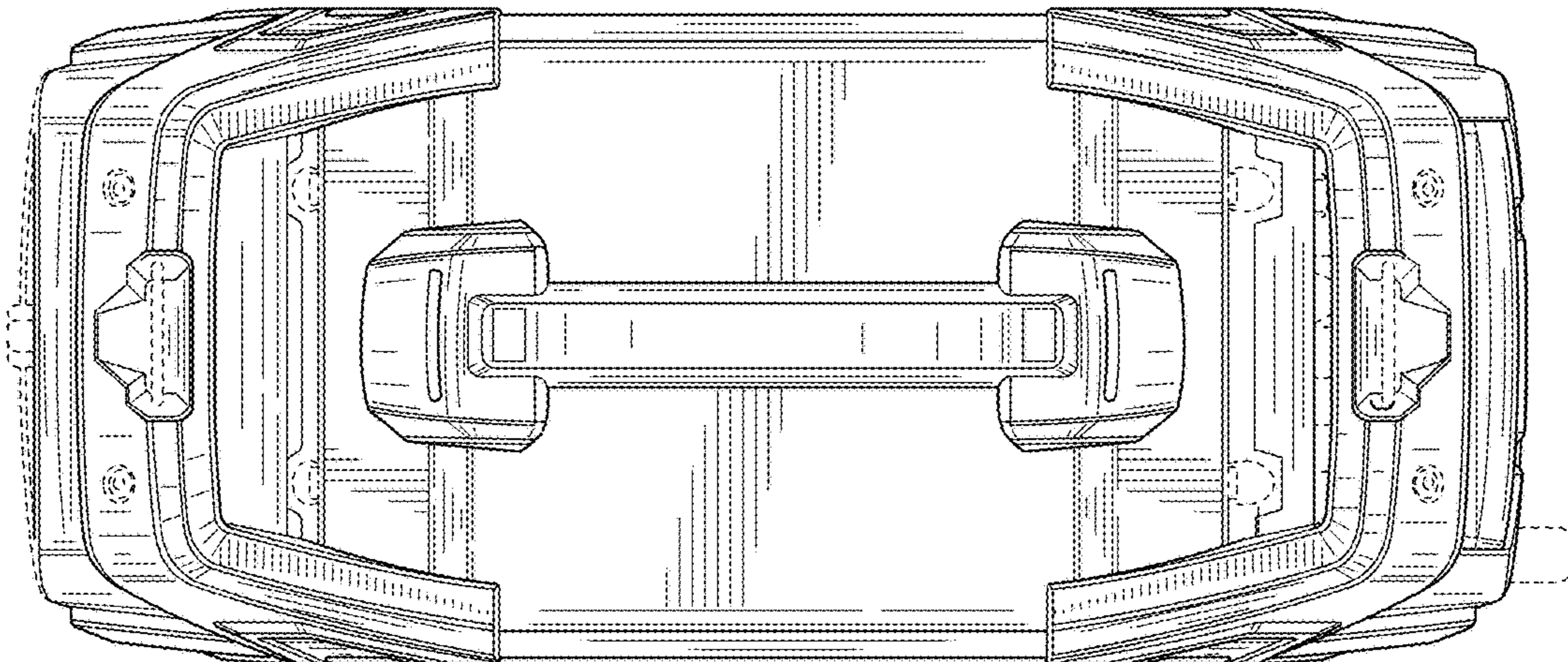


FIG. 6

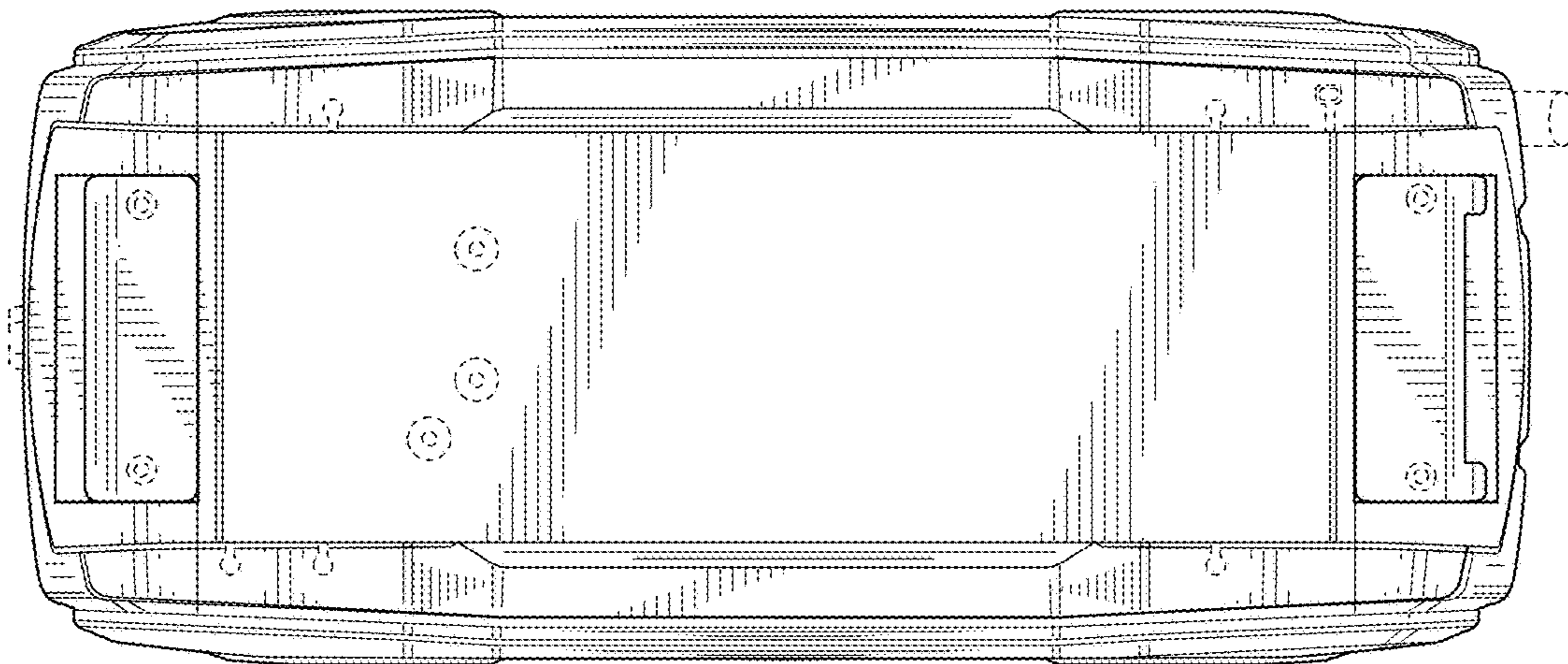


FIG. 7