



US00D811455S

(12) **United States Design Patent** (10) **Patent No.:** **US D811,455 S**
Hoop (45) **Date of Patent:** **** Feb. 27, 2018**

- (54) **CHANGE MODULE**
- (71) Applicant: **Hilti Aktiengesellschaft**, Schaan (LI)
- (72) Inventor: **Matthaeus Hoop**, Eschen (LI)
- (73) Assignee: **Hilti Aktiengesellschaft**, Schaan (LI)
- (**) Term: **15 Years**
- (21) Appl. No.: **29/551,365**
- (22) Filed: **Jan. 13, 2016**

- D481,045 S 10/2003 Ahn
 - 7,101,128 B2 9/2006 Hansson
 - D541,831 S 5/2007 Miyanaga
 - D560,699 S 1/2008 Omi
 - 7,628,228 B2 12/2009 Drivdahl et al.
- (Continued)

FOREIGN PATENT DOCUMENTS

- CN 301402967 S 12/2010
 - DE 102011089546 A1 6/2013
- (Continued)

OTHER PUBLICATIONS

English Translation of Search Report of Design Patent Application No. 103307425001, dated Jul. 9, 2015.

Primary Examiner — Patricia A Palasik
(74) *Attorney, Agent, or Firm* — Crowell & Moring LLP

Related U.S. Application Data

- (62) Division of application No. 29/481,448, filed on Feb. 6, 2014, now Pat. No. Des. 752,662.

Foreign Application Priority Data

- Aug. 9, 2013 (WO) DM/081539
- (51) **LOC (11) Cl.** **15-09**
- (52) **U.S. Cl.**
USPC **D15/138**
- (58) **Field of Classification Search**
USPC D15/28, 138, 139; D8/25, 70, 71
CPC B28D 1/041; B28D 1/121; B24D 3/06;
B24D 5/123; E21B 10/02; E21B 10/48;
Y10T 408/81; Y10T 408/895
See application file for complete search history.

(57) **CLAIM**

The ornamental design for a change module, as shown and described.

DESCRIPTION

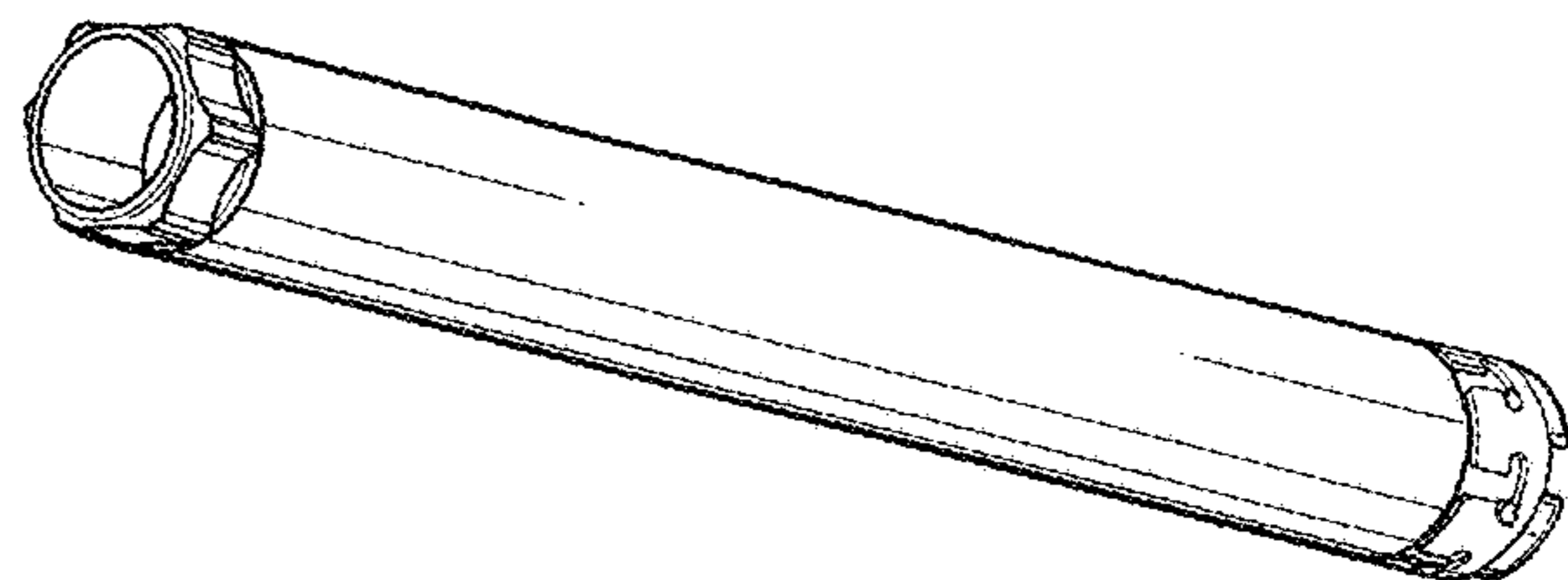
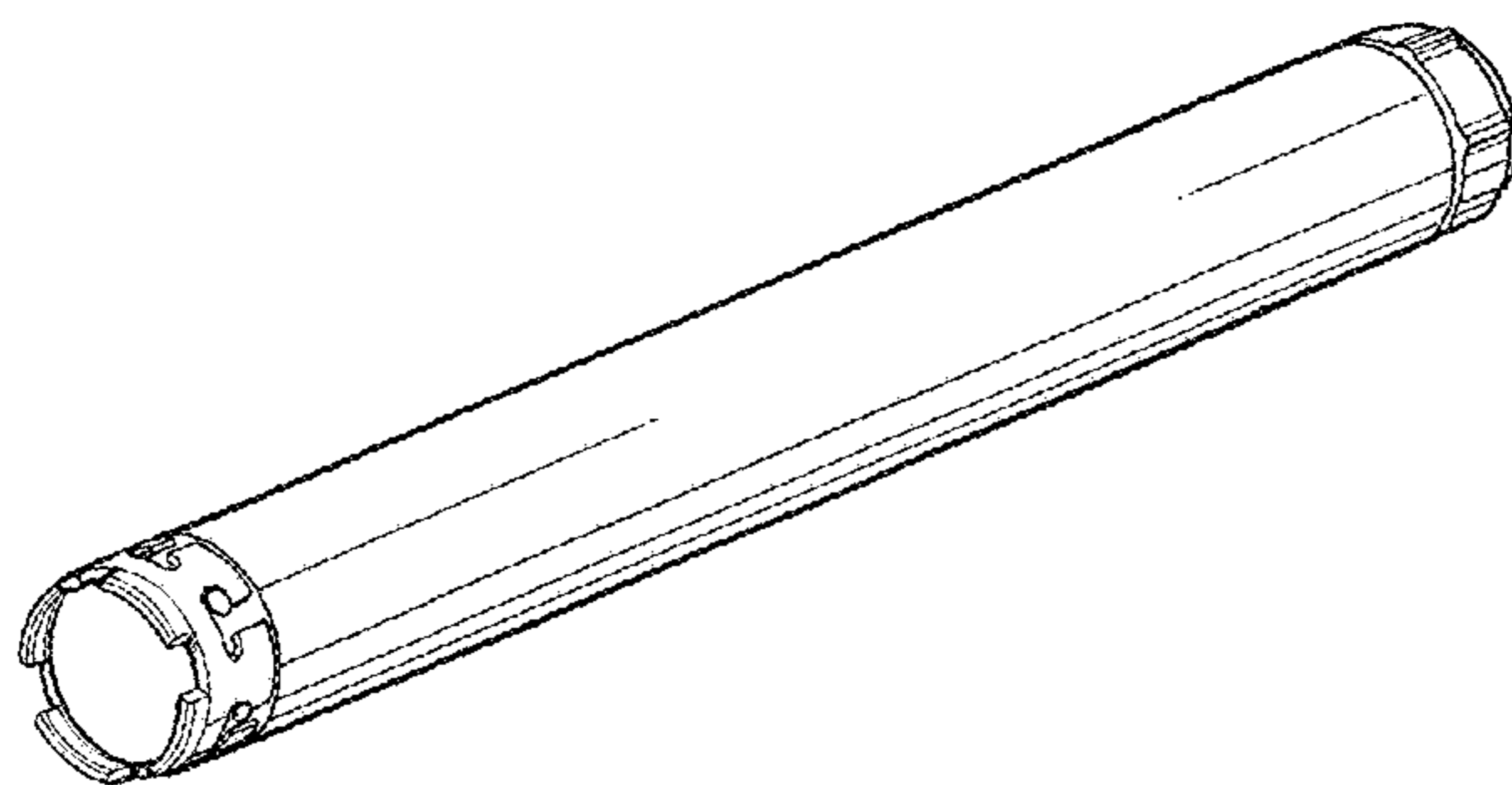
FIG. 1 is a top perspective view of a first embodiment of a change module according to the design;
FIG. 2 is bottom perspective view thereof;
FIG. 3 is a side view thereof;
FIG. 4 is an additional side view thereof;
FIG. 5 is a top view thereof; and
FIG. 6 is a bottom view thereof.
FIG. 7 is a top perspective view of a second embodiment of the change module according to the design;
FIG. 8 is bottom perspective view thereof;
FIG. 9 is a side view thereof;
FIG. 10 is an additional side view thereof;
FIG. 11 is a top view thereof; and,
FIG. 12 is a bottom view thereof.

(56) **References Cited**

U.S. PATENT DOCUMENTS

- 3,671,918 A * 6/1972 Mitchell H01R 31/00
439/189
- 4,208,154 A 6/1980 Gundy
- 5,218,888 A 6/1993 Merrill
- D342,270 S 12/1993 Kwang
- 5,996,571 A 12/1999 Jedick
- 6,033,295 A 3/2000 Fisher et al.
- 6,192,875 B1 2/2001 Koruko et al.
- D466,139 S 11/2002 Kim et al.

1 Claim, 4 Drawing Sheets



(56)

References Cited

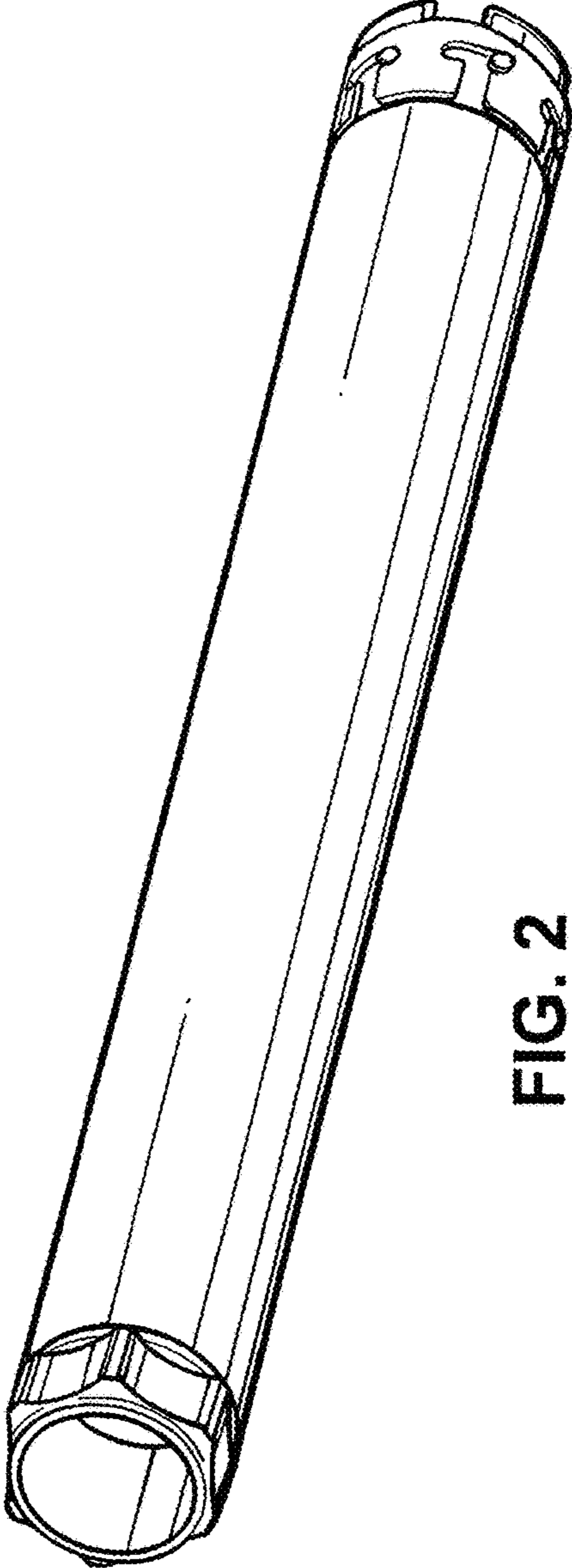
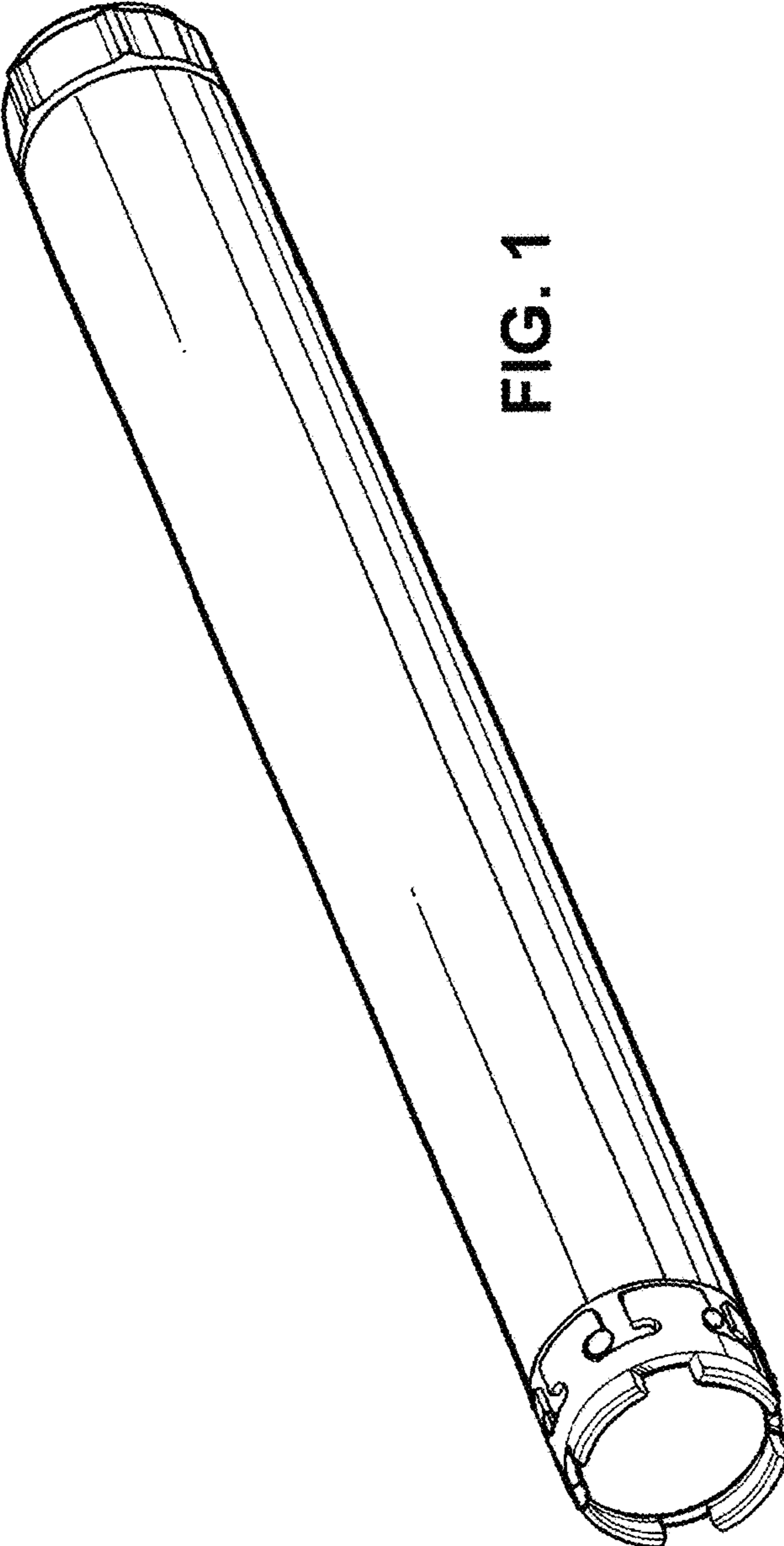
U.S. PATENT DOCUMENTS

7,641,004 B2 1/2010 Lapointe
D647,114 S 10/2011 Pearce et al.
D647,115 S 10/2011 Pearce et al.
D647,546 S 10/2011 Omi
D656,168 S 3/2012 Omi
8,459,381 B2 6/2013 Pearce et al.
D705,282 S 5/2014 Jones, Jr.
9,051,786 B2 6/2015 Lambert et al.
9,097,067 B2 8/2015 Gosamo et al.
D752,662 S * 3/2016 Hoop D15/138
2013/0204186 A1 * 8/2013 Moore A61M 5/2448
604/111
2015/0323068 A1 * 11/2015 Han F16H 3/083
74/374

FOREIGN PATENT DOCUMENTS

TW 286696 9/1996
TW 324464 1/1998
TW 416482 12/2000

* cited by examiner



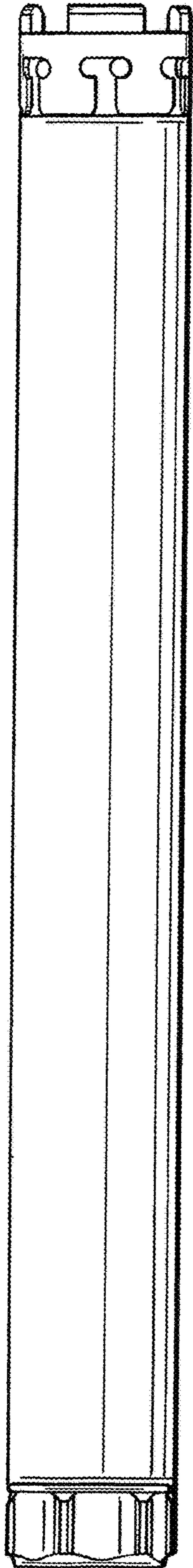


FIG. 3

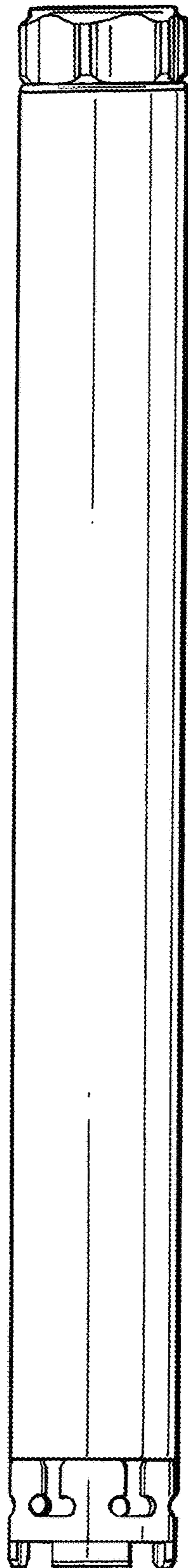


FIG. 4

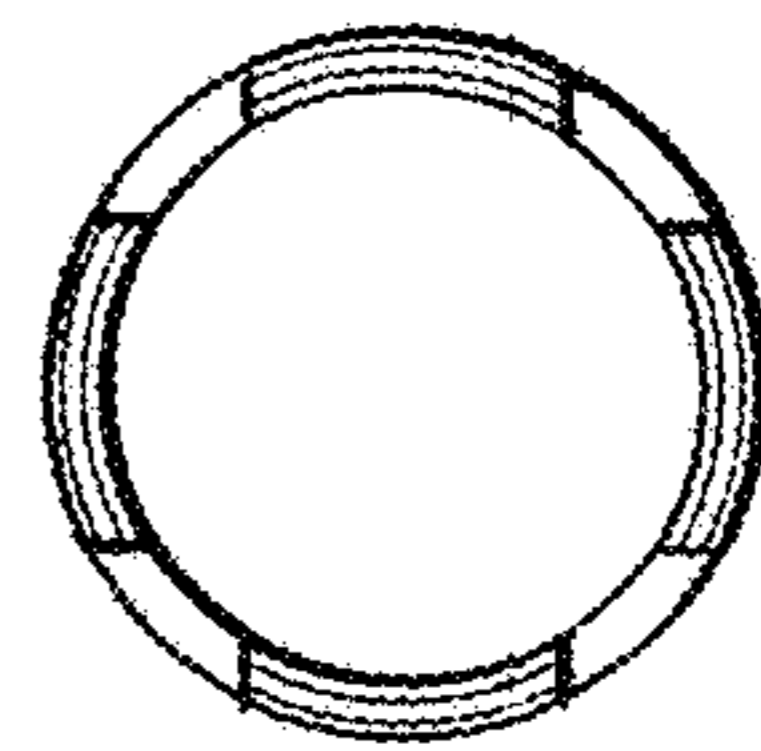


FIG. 5

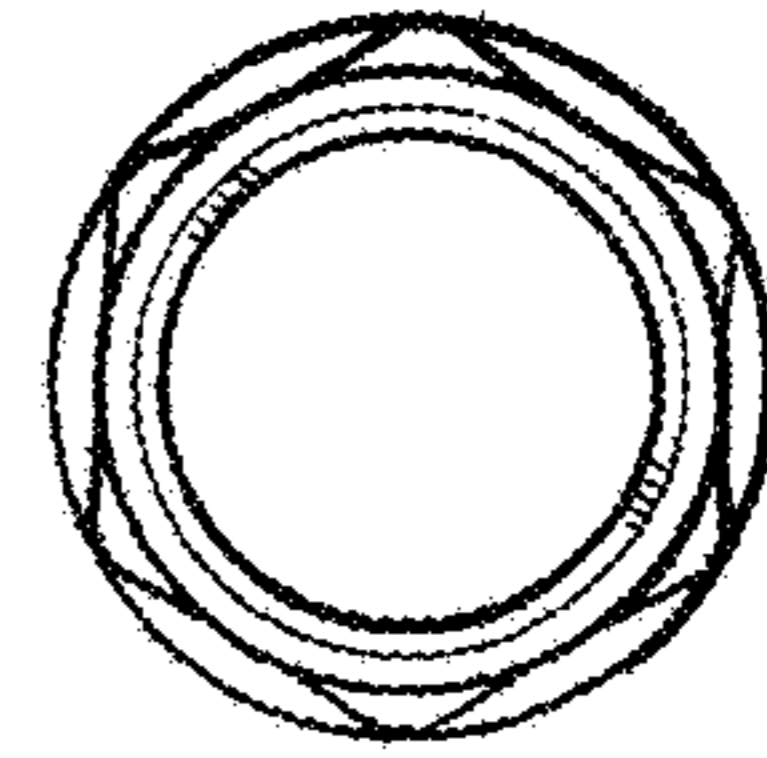


FIG. 6

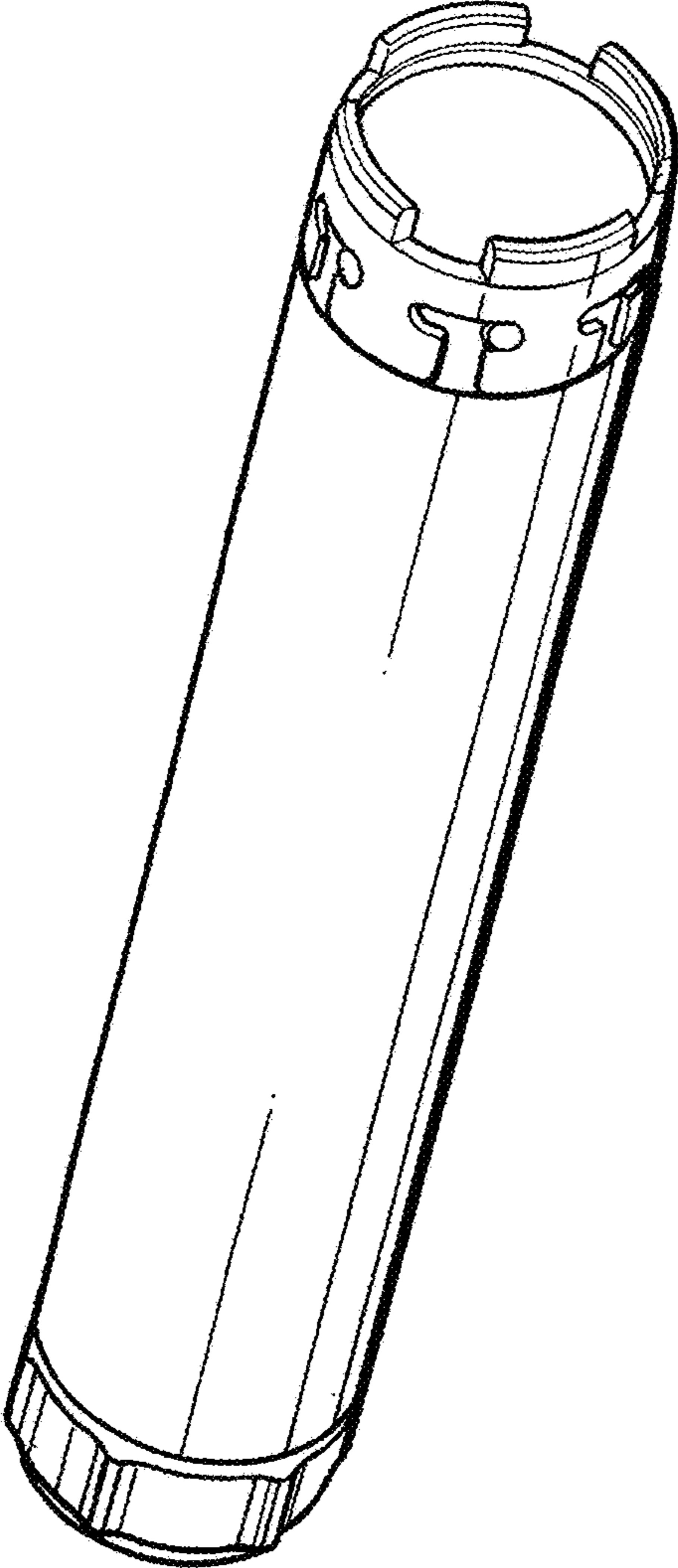


FIG. 7

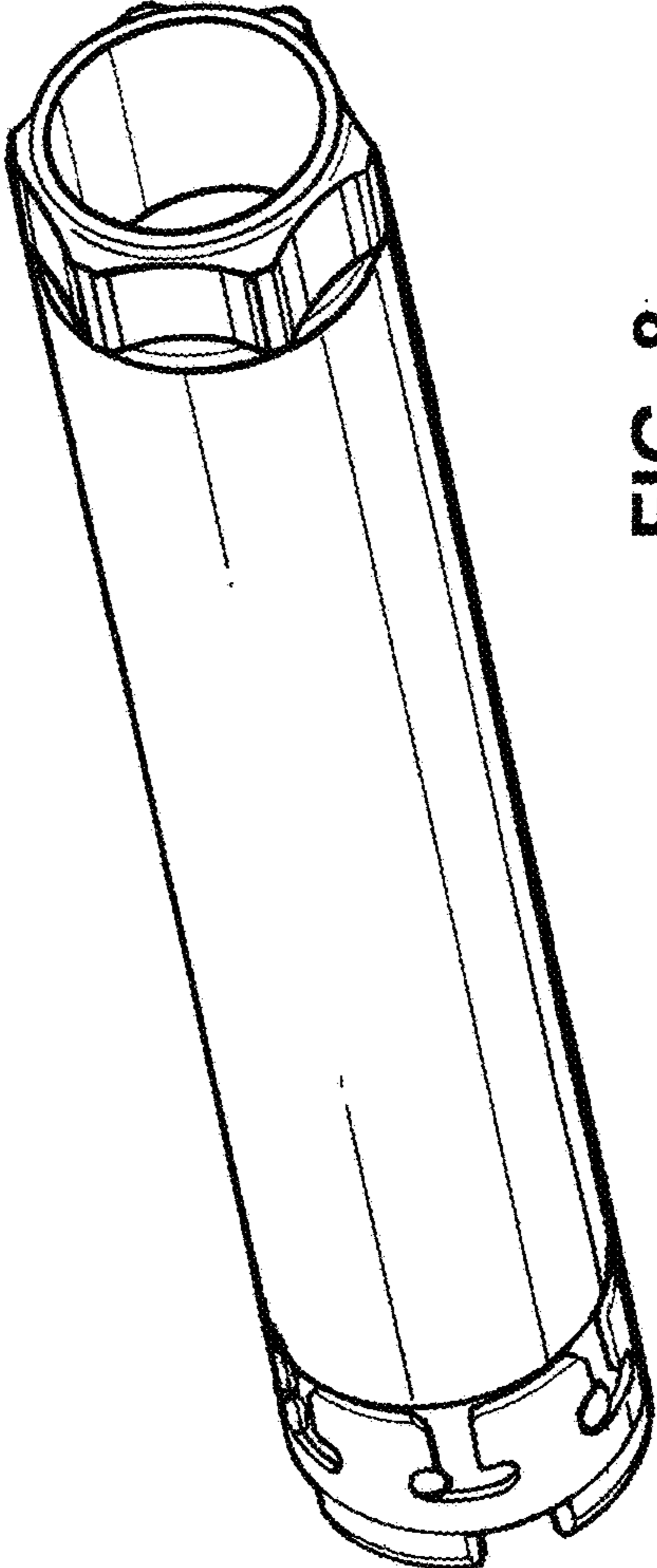


FIG. 8

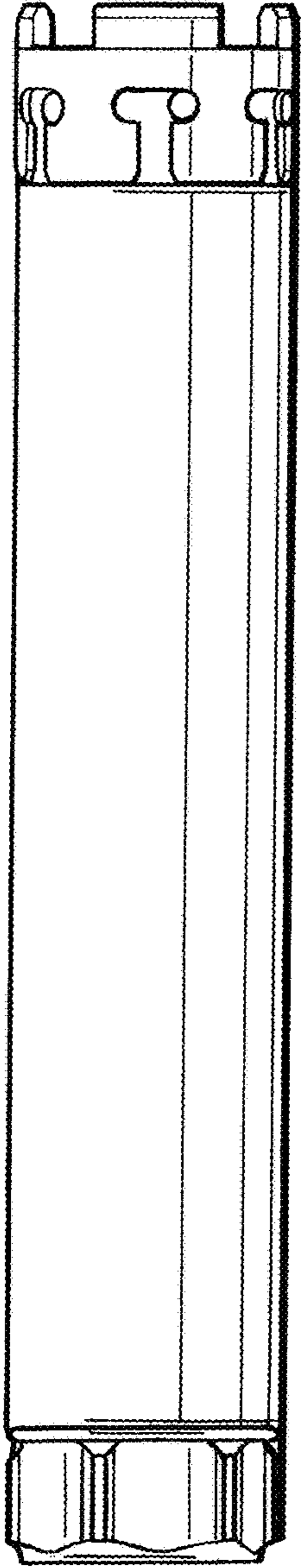


FIG. 9

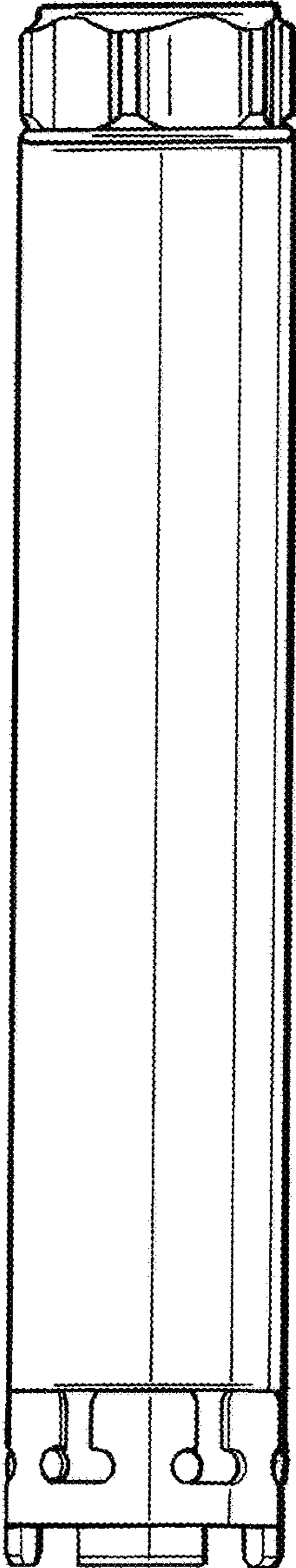


FIG. 10

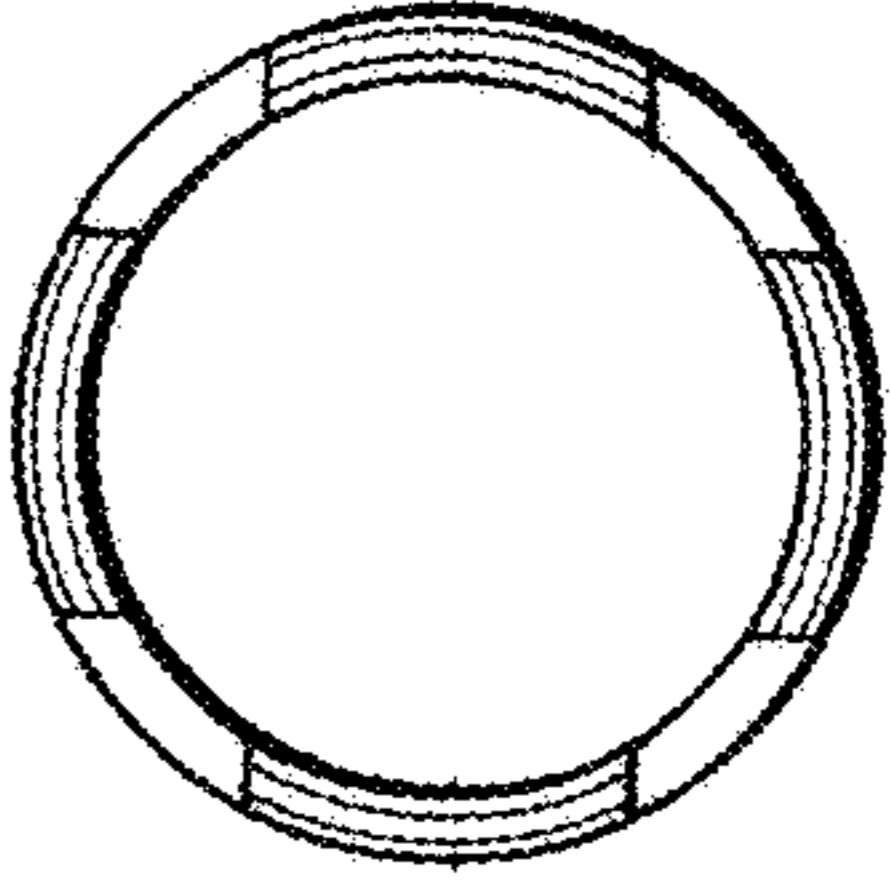


FIG. 11

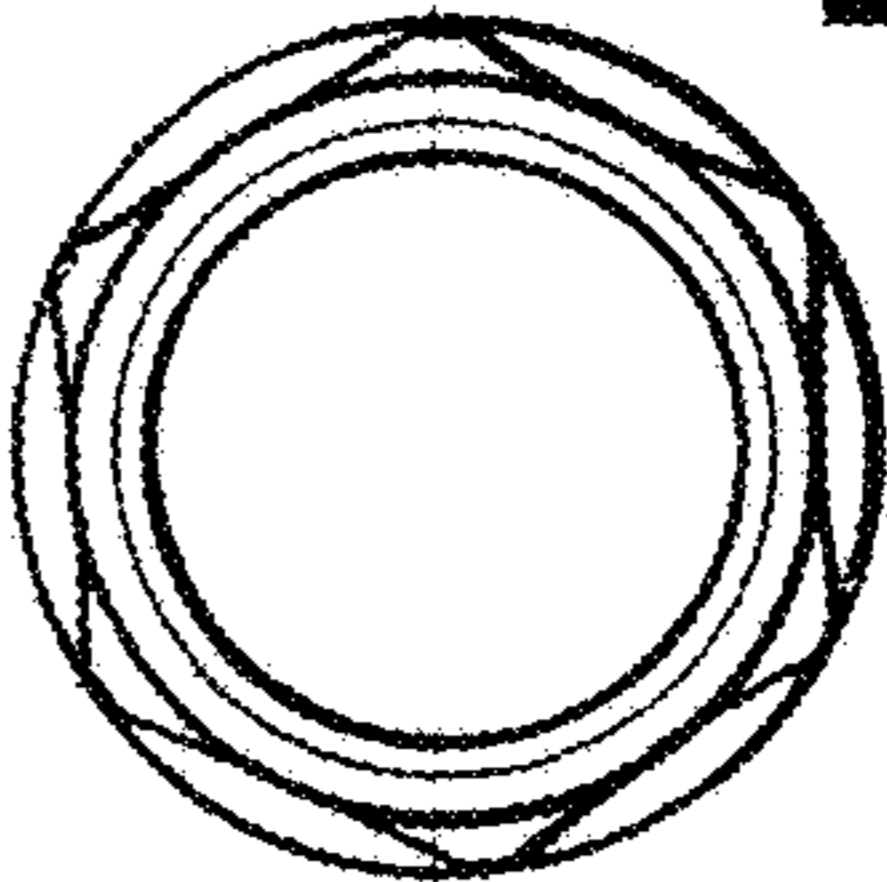


FIG. 12