



US00D811454S

(12) **United States Design Patent** (10) **Patent No.:** **US D811,454 S**
Sancilio et al. (45) **Date of Patent:** **** Feb. 27, 2018**

(54) **MOLD FOR A MEDICAL DOSAGE FORM**

(71) Applicant: **Sancilio & Company, Inc.**, Riviera Beach, FL (US)

(72) Inventors: **Frederick D. Sancilio**, Palm Beach Gardens, FL (US); **Thorsteinn Thorsteinsson**, Boynton Beach, FL (US)

(73) Assignee: **Sancilio & Company, Inc.**, Riviera Beach, FL (US)

(**) Term: **15 Years**

(21) Appl. No.: **29/575,454**

(22) Filed: **Aug. 25, 2016**

(51) **LOC (11) Cl.** **15-09**

(52) **U.S. Cl.**
USPC **D15/136**

(58) **Field of Classification Search**
USPC D15/135, 136
CPC B29C 45/33; B29C 45/4421; G01N 13/00;
G01N 33/15; G01N 2013/006; Y10S
425/005; Y10S 425/058
See application file for complete search history.

(56) **References Cited**

U.S. PATENT DOCUMENTS

- D54,826 S * 4/1920 Bartlett D15/136
- D97,216 S * 10/1935 Vernin D15/135
- 4,105,354 A * 8/1978 Bowman B44B 5/0009
172/540
- 4,566,911 A * 1/1986 Tomita B08B 1/04
134/6
- 5,562,255 A * 10/1996 Witko B02C 18/142
241/158
- D419,574 S * 1/2000 Bower D15/131

- 6,299,698 B1 * 10/2001 Emami B08B 1/04
134/6
- 6,557,202 B1 * 5/2003 Bliven B08B 1/04
15/102
- 6,684,447 B2 * 2/2004 Mihara B08B 1/04
15/102
- D505,434 S * 5/2005 Bordignon D15/136
- D622,920 S * 8/2010 Bejtlich, III D32/40
- D682,497 S * 5/2013 Wargo D15/138
- D707,408 S * 6/2014 Ishibashi D32/25
- D772,517 S * 11/2016 Schiltz D34/29
- D799,768 S * 10/2017 Ishibashi D32/25
- 2008/0141475 A1 * 6/2008 Drury B29C 44/385
15/104.93
- 2017/0073091 A1 * 3/2017 Deutsche B65D 5/68

* cited by examiner

Primary Examiner — Patricia A Palasik

(74) *Attorney, Agent, or Firm* — Nexsen Pruet, PLLC;
Robert P. Mino; Ferris H. Lander

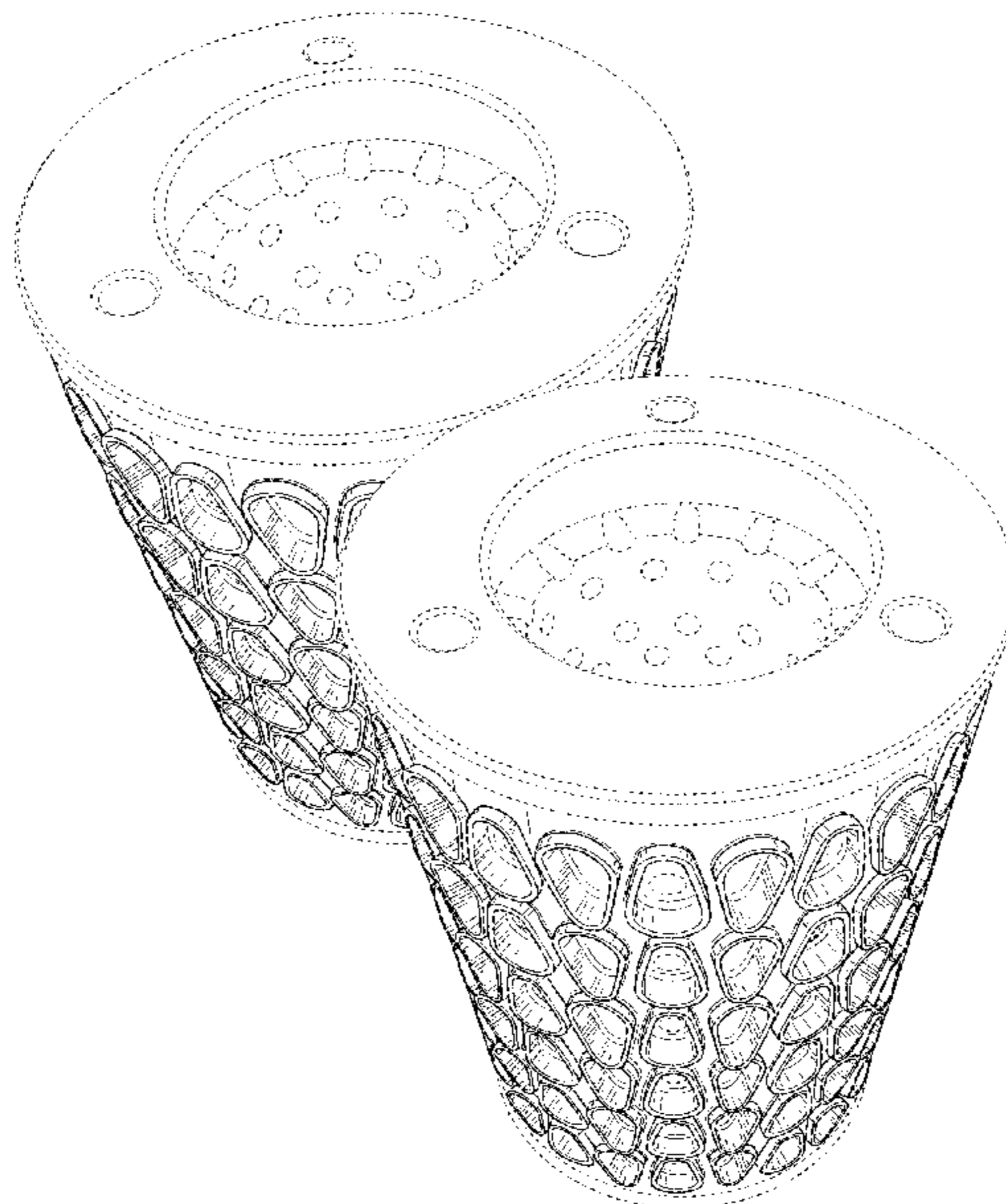
(57) **CLAIM**

The ornamental design for a mold for a medical dosage form, as shown and described.

DESCRIPTION

FIG. 1 is a perspective view of the mold for a medical dosage form of the instant invention;
 FIG. 2 is a front view thereof;
 FIG. 3 is a rear view thereof;
 FIG. 4 is a right side view thereof;
 FIG. 5 is a left side view thereof;
 FIG. 6 is a top plan view thereof; and,
 FIG. 7 is a bottom plan view thereof.
 The broken lines shown in the figures (portions of the design shown in broken/dashed lines) are included for the purpose of illustrating environment and form no part of the claimed design.

1 Claim, 7 Drawing Sheets



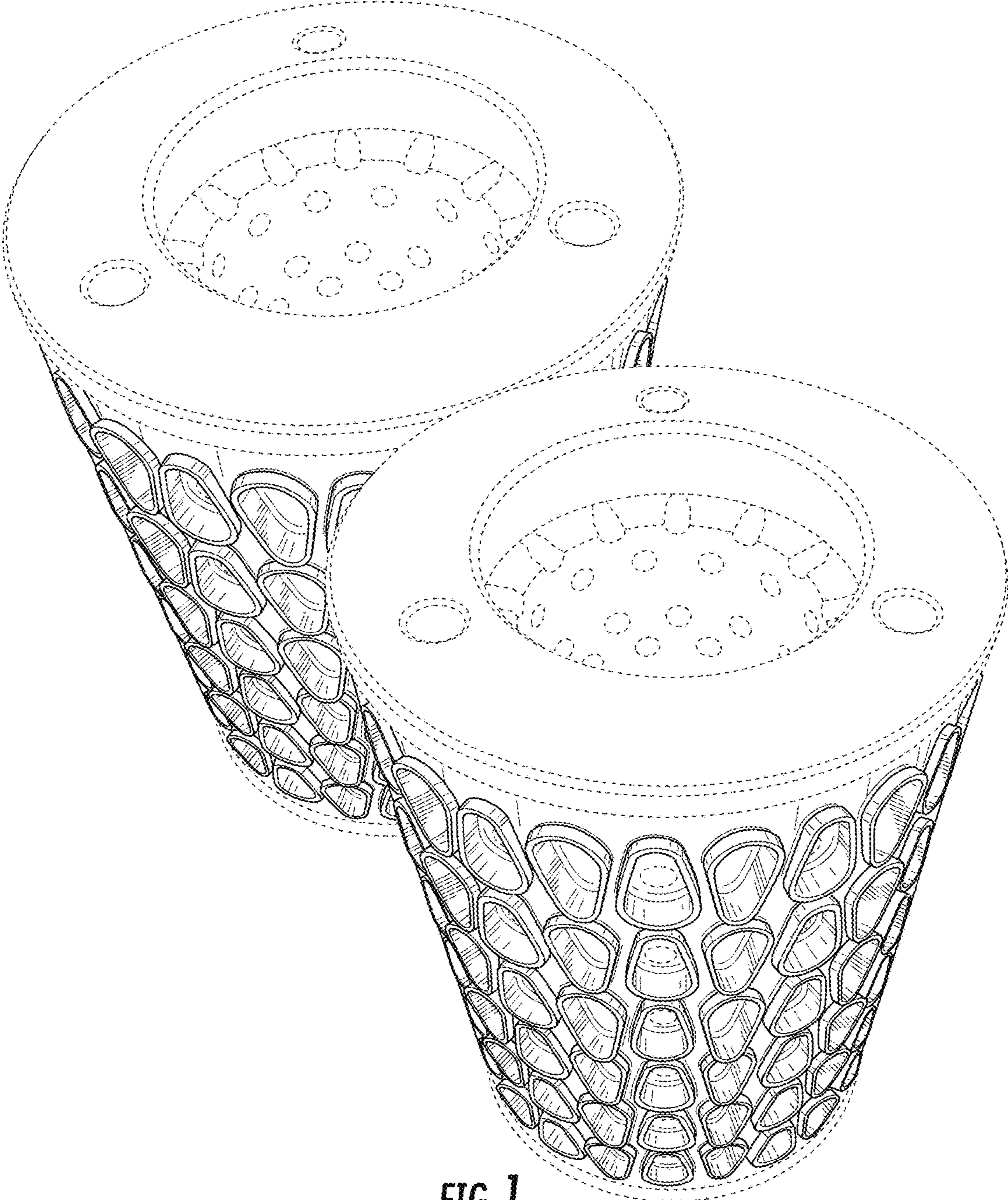


FIG. 1

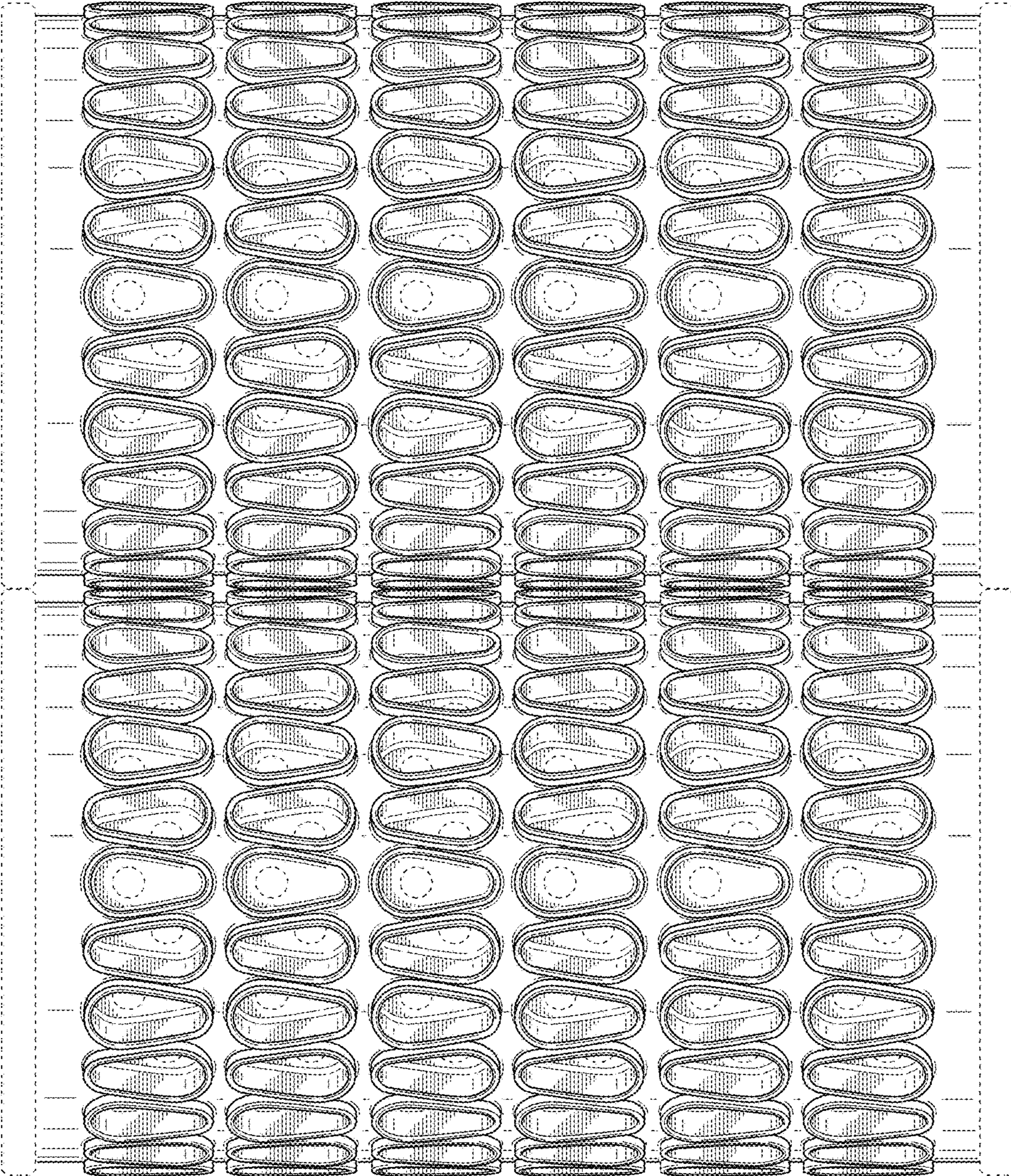


FIG. 2

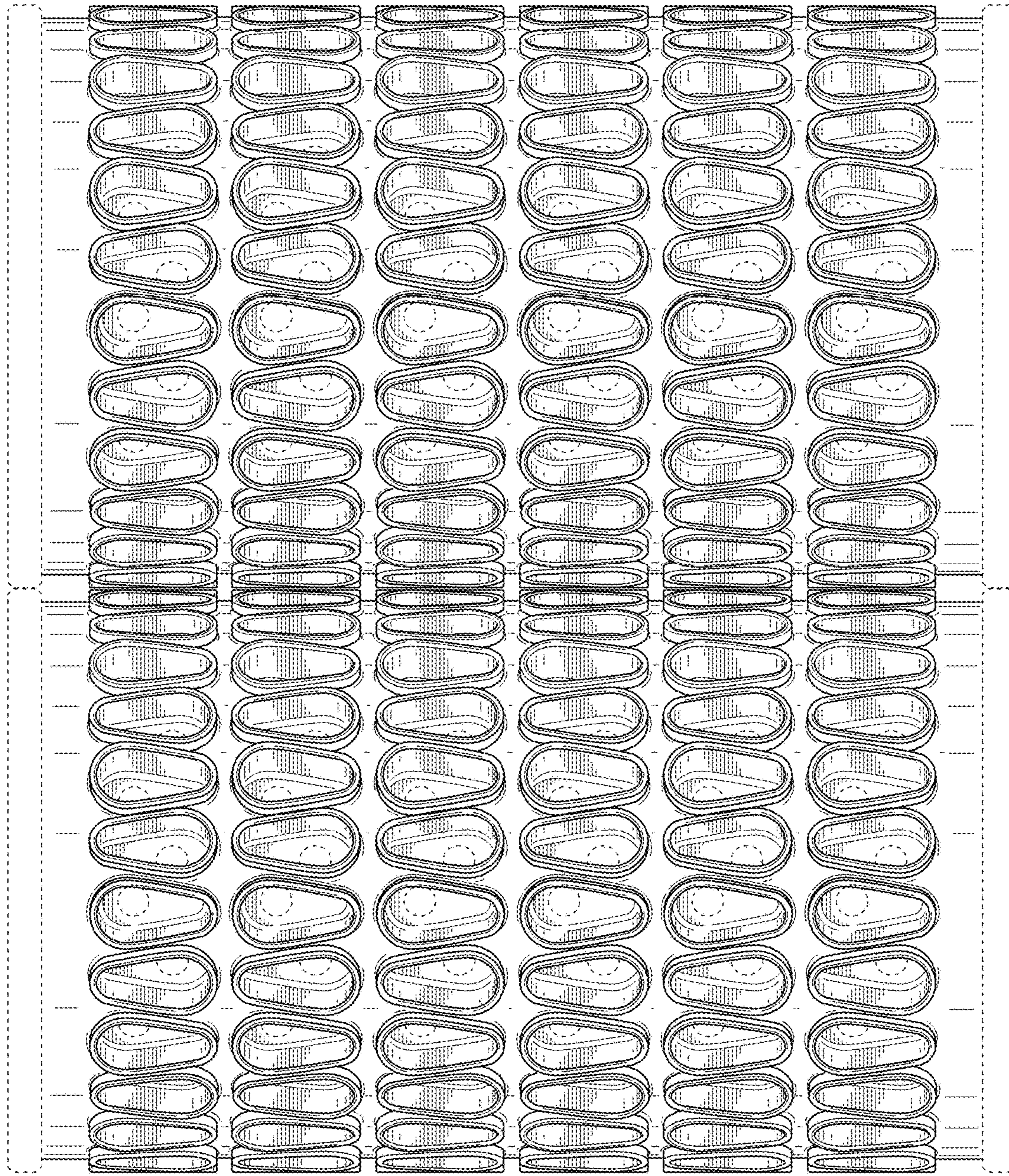


FIG. 3

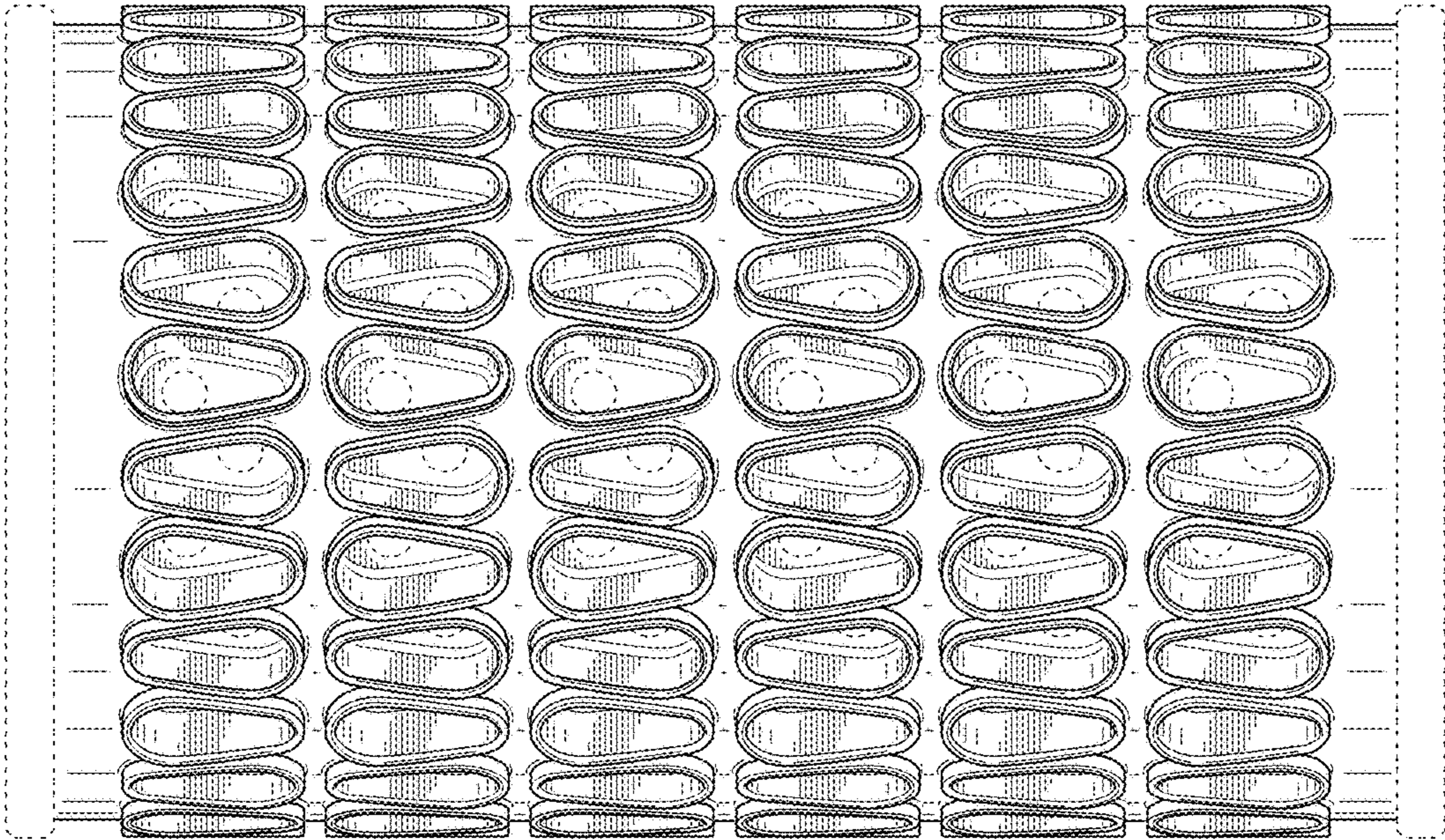


FIG. 4

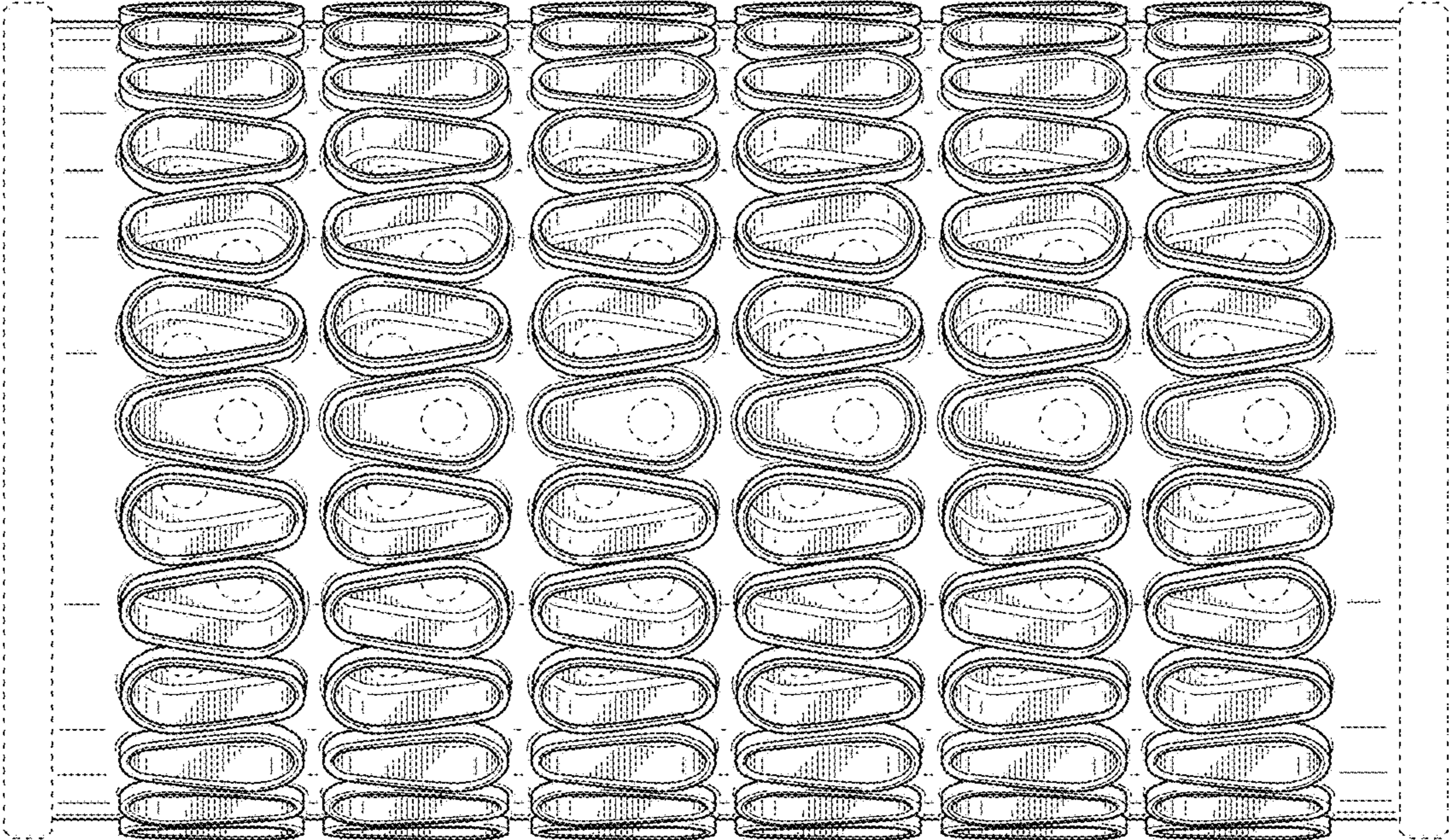


FIG. 5

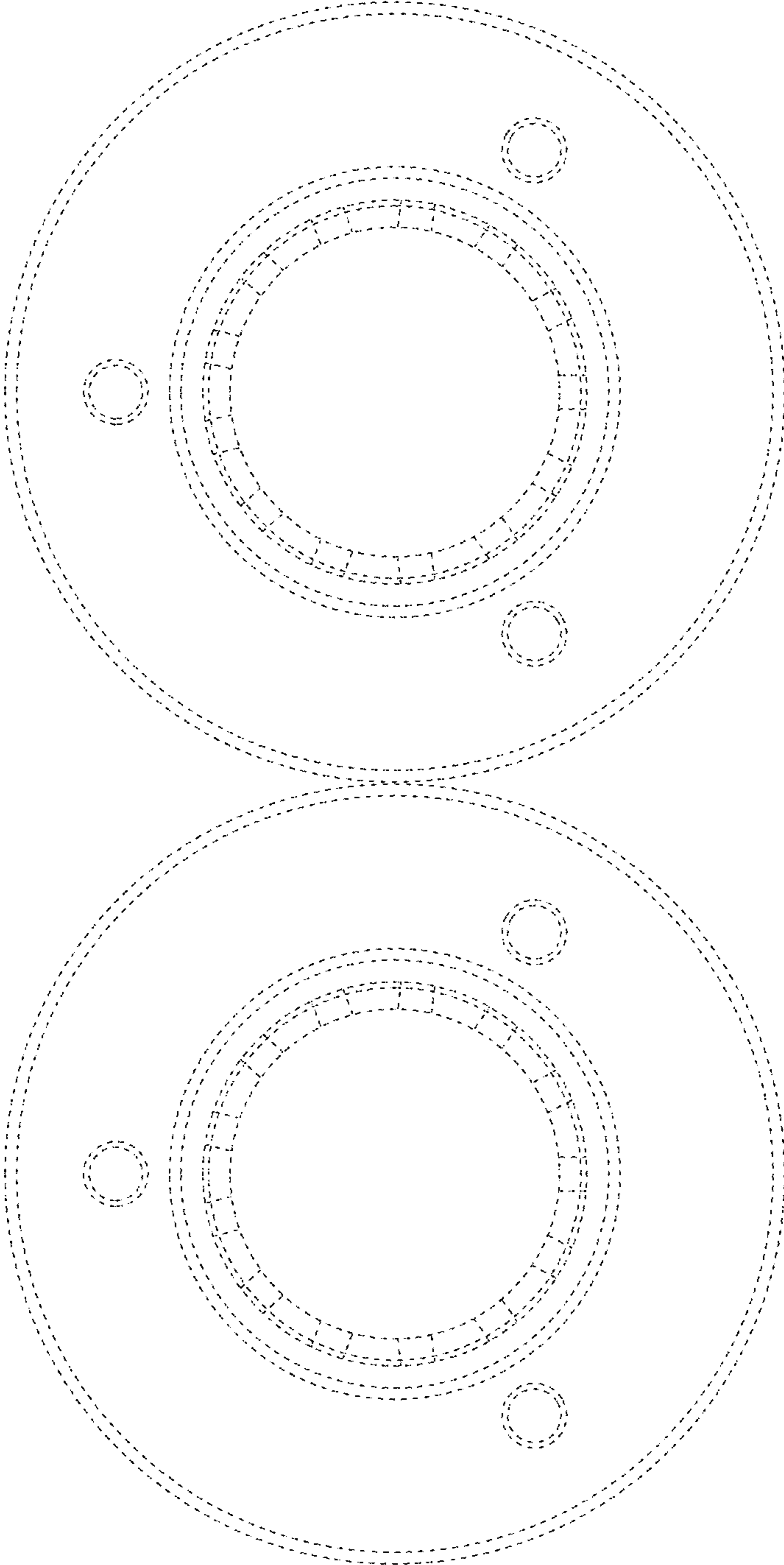


FIG. 6

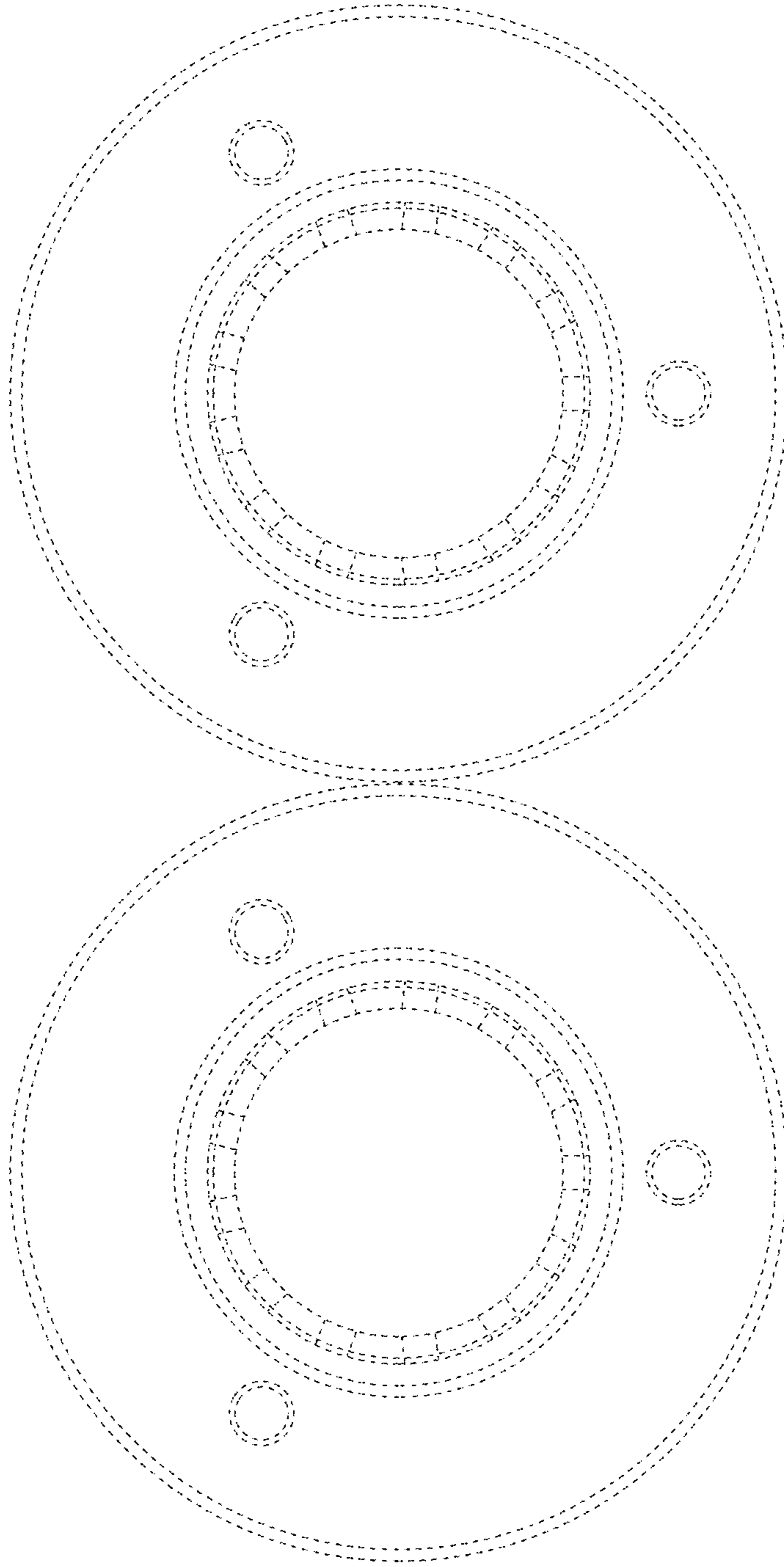


FIG. 7