



US00D811450S

(12) **United States Design Patent**
Hynek et al.

(10) **Patent No.:** **US D811,450 S**

(45) **Date of Patent:** **** Feb. 27, 2018**

(54) **CNC LATHE MACHINE**

(71) Applicants: **Martin Hynek**, Plzen (CZ); **Eduard Muller**, Most (CZ); **Josef Formanek**, Nezvestice (CZ)

(72) Inventors: **Martin Hynek**, Plzen (CZ); **Eduard Muller**, Most (CZ); **Josef Formanek**, Nezvestice (CZ)

(73) Assignee: **BAPADOCESKA UNIVERZITA V PLZNI**, Pilsen (CZ)

(**) Term: **15 Years**

(21) Appl. No.: **29/533,898**

(22) Filed: **Aug. 4, 2015**

(51) **LOC (11) Cl.** **15-09**

(52) **U.S. Cl.**
USPC **D15/130**

(58) **Field of Classification Search**
USPC D15/150, 130, 127, 126, 124, 122;
D18/57, 53
CPC Y10T 409/30392; Y10T 29/5128; Y10T
74/2193; Y10T 82/10; B23Q 11/0891;
B23Q 11/08; B23Q 11/0825; B23Q
11/085; B23Q 17/007; B23Q 1/01; A21B
1/48; A21B 3/02; B23B 3/06; B23B 5/08
See application file for complete search history.

(56) **References Cited**

U.S. PATENT DOCUMENTS

D331,066 S	*	11/1992	Englert	D15/122
D366,061 S	*	1/1996	Likins	D18/53
D374,686 S	*	10/1996	Likins	D8/57
D374,891 S	*	10/1996	Bornhorst, Jr.	D18/57
D377,945 S	*	2/1997	Bornhorst, Jr.	D18/57

D381,682 S	*	7/1997	Bornhorst, Jr.	D18/57
D455,456 S	*	4/2002	Angelbeck	D18/57
6,462,301 B1	*	10/2002	Scott	B23K 26/04 219/121.6
6,987,241 B2	*	1/2006	Hacker	B23Q 11/0825 160/222
D575,329 S	*	8/2008	Burch Gonzalez	D18/53
D604,344 S	*	11/2009	Weingart	D15/124
D638,449 S	*	5/2011	Schindler	D15/122
D736,840 S	*	8/2015	Kirkland	D15/122

* cited by examiner

Primary Examiner — Rosemary K Tarcza
Assistant Examiner — Nathaniel D. Buckner

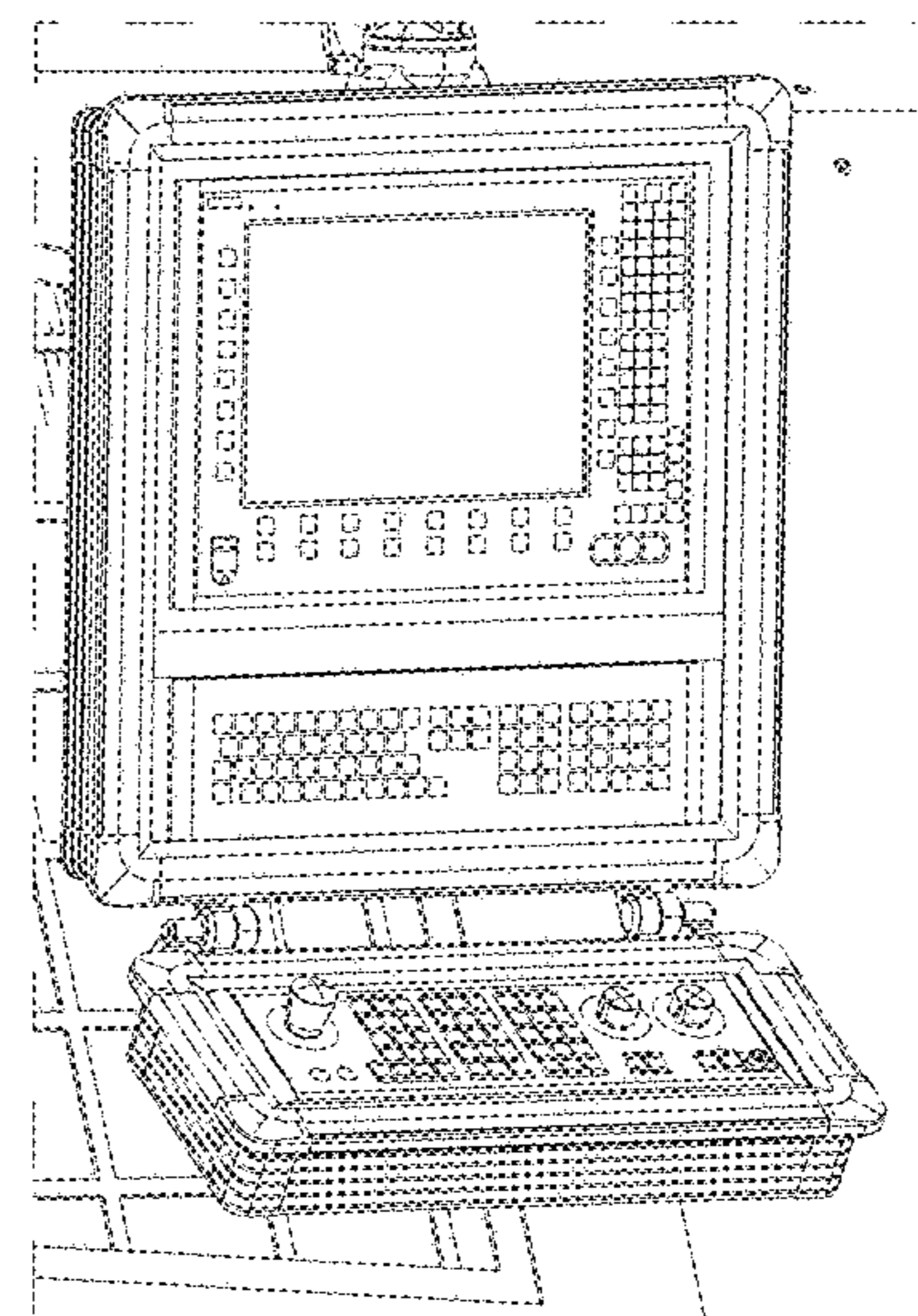
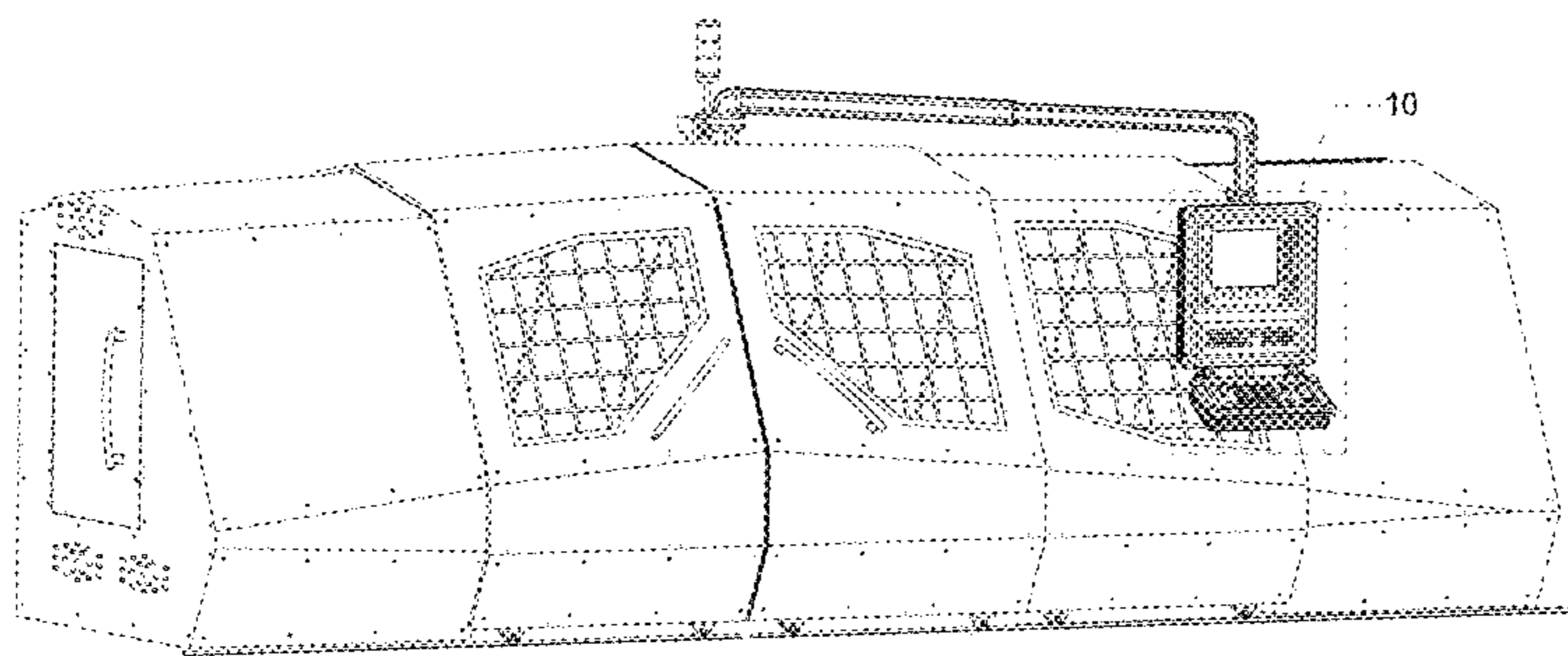
(57) **CLAIM**

The ornamental design for a CNC lathe machine, as shown and described.

DESCRIPTION

FIG. 1 is a left, front, top perspective view of a CNC lathe machine showing my new design;
FIG. 2 is a right, rear, top perspective view thereof;
FIG. 3 is a front elevational view thereof,
FIG. 4 is a top plan view thereof;
FIG. 5 is a side elevational view taken from the left side of FIG. 3;
FIG. 6 is a side elevational view taken from the right side of FIG. 3;
FIG. 7 is a rear elevational view thereof;
FIG. 8 is a right, front, top perspective view thereof;
FIG. 9 is a left, front, top perspective view thereof; and,
FIG. 10 is an enlarged fragmentary view of the area identified as '10' in FIG. 1.
The broken lines in the figures represent portions of the article which form no part of the claim.

1 Claim, 9 Drawing Sheets



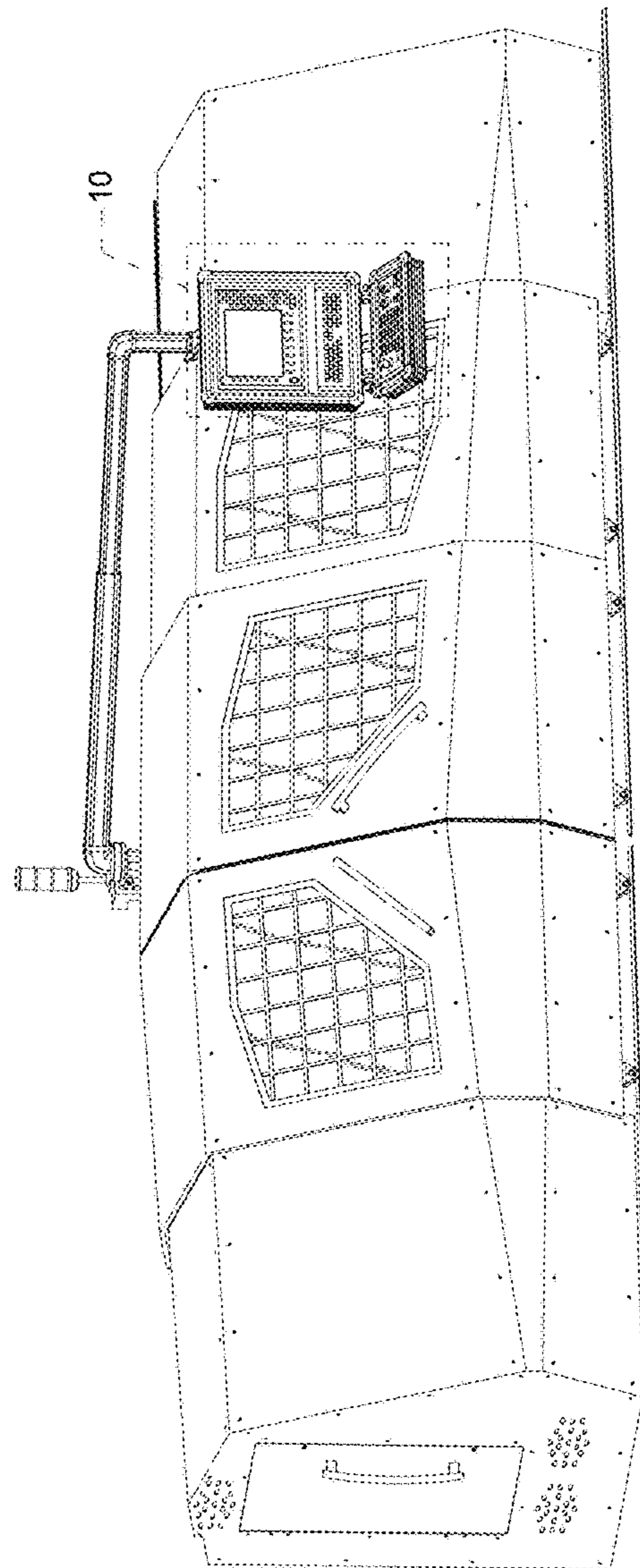


FIGURE 1

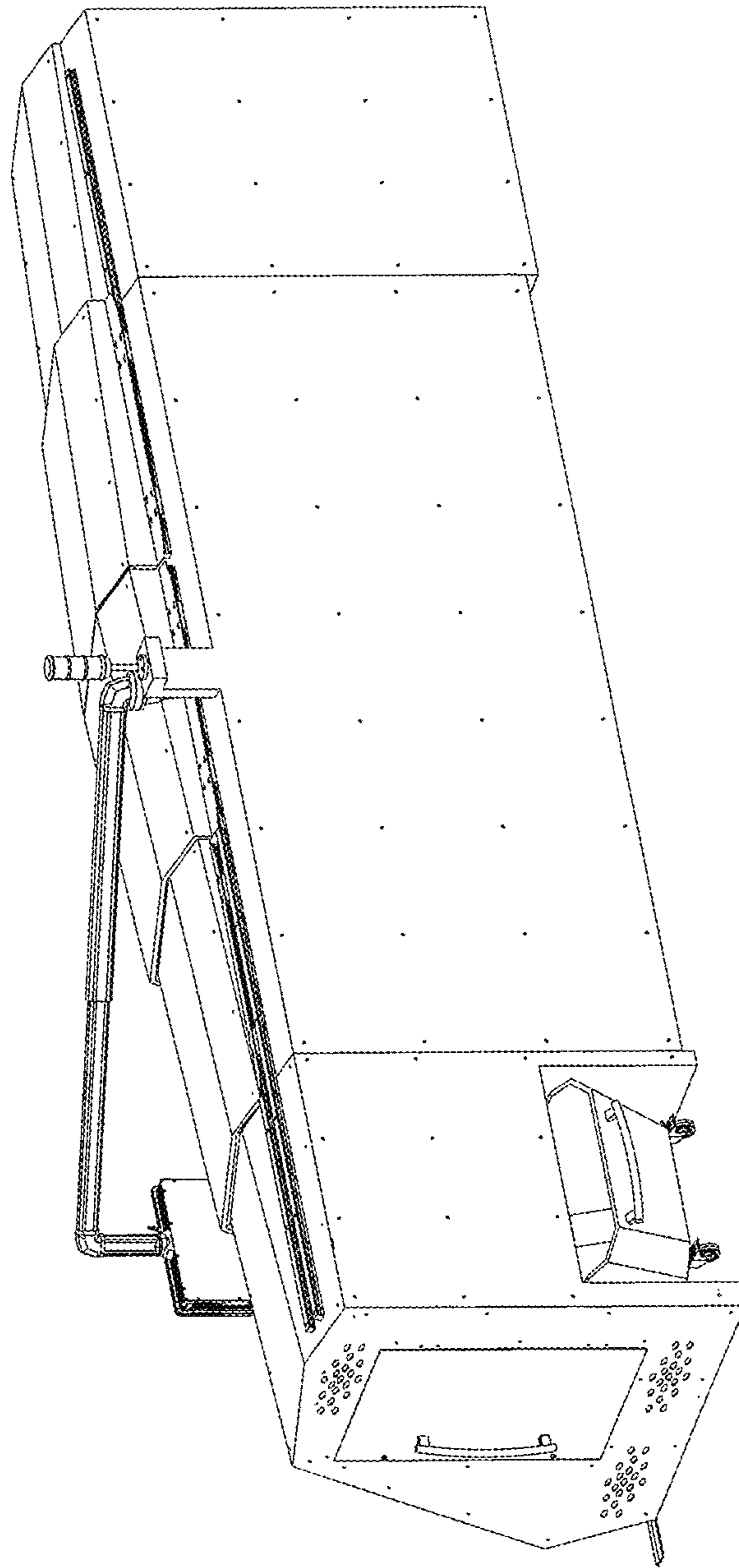


FIGURE 2

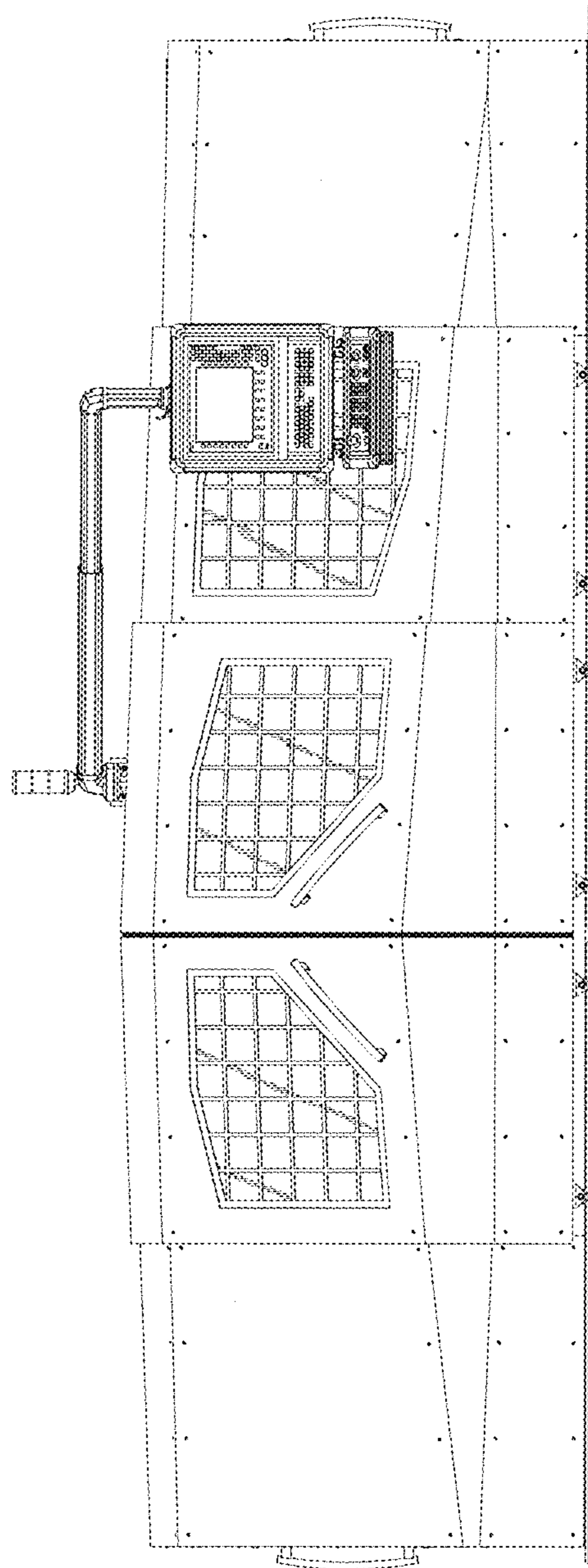


FIGURE 3

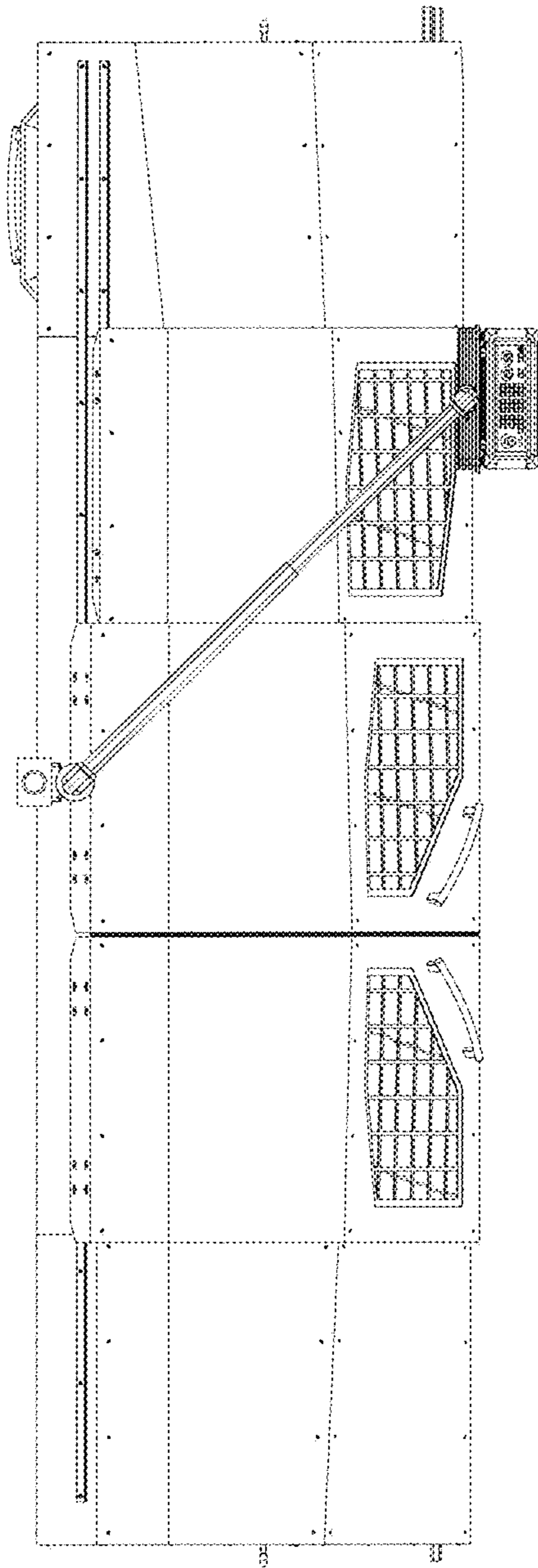


FIGURE 4

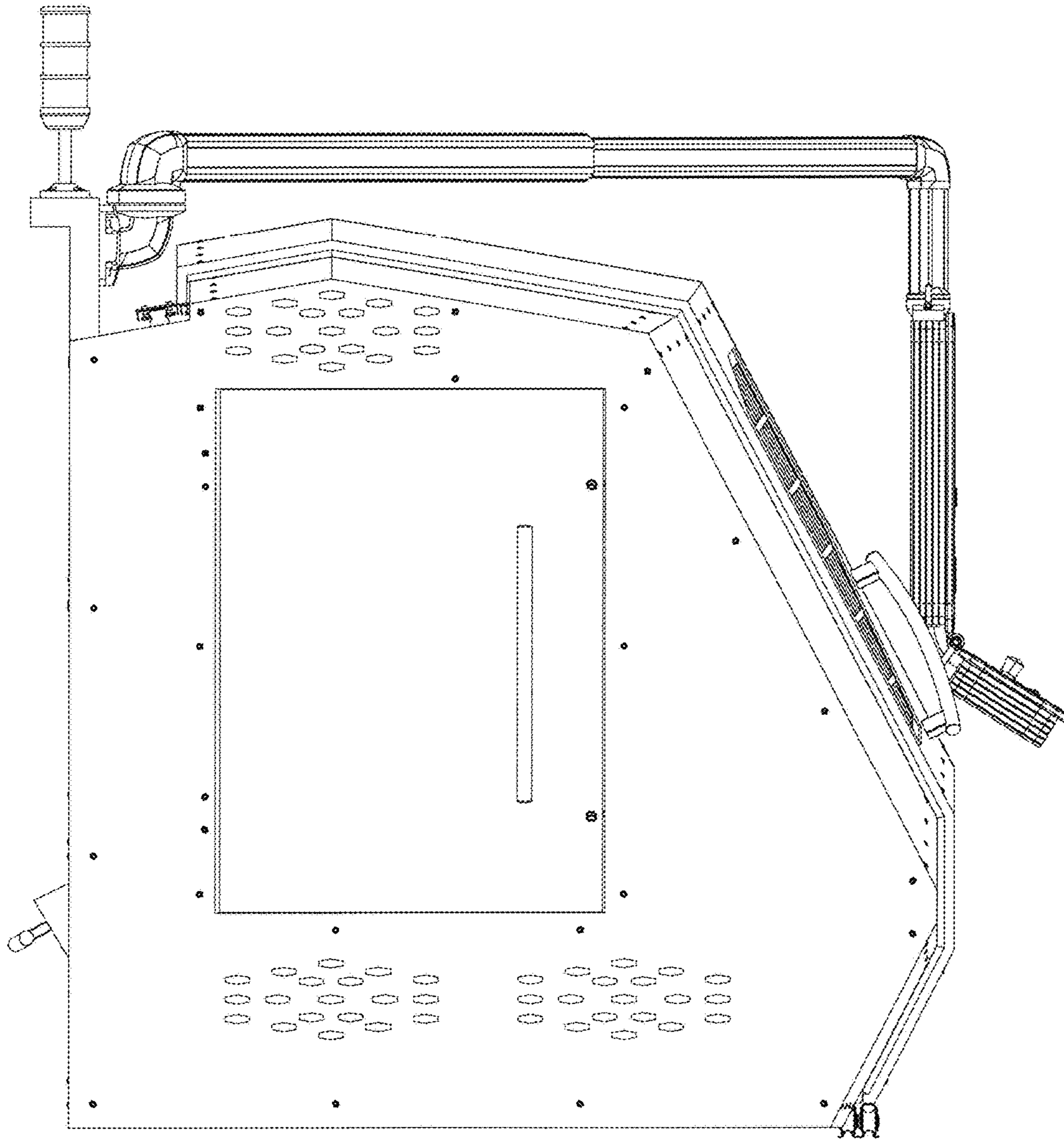


FIGURE 5

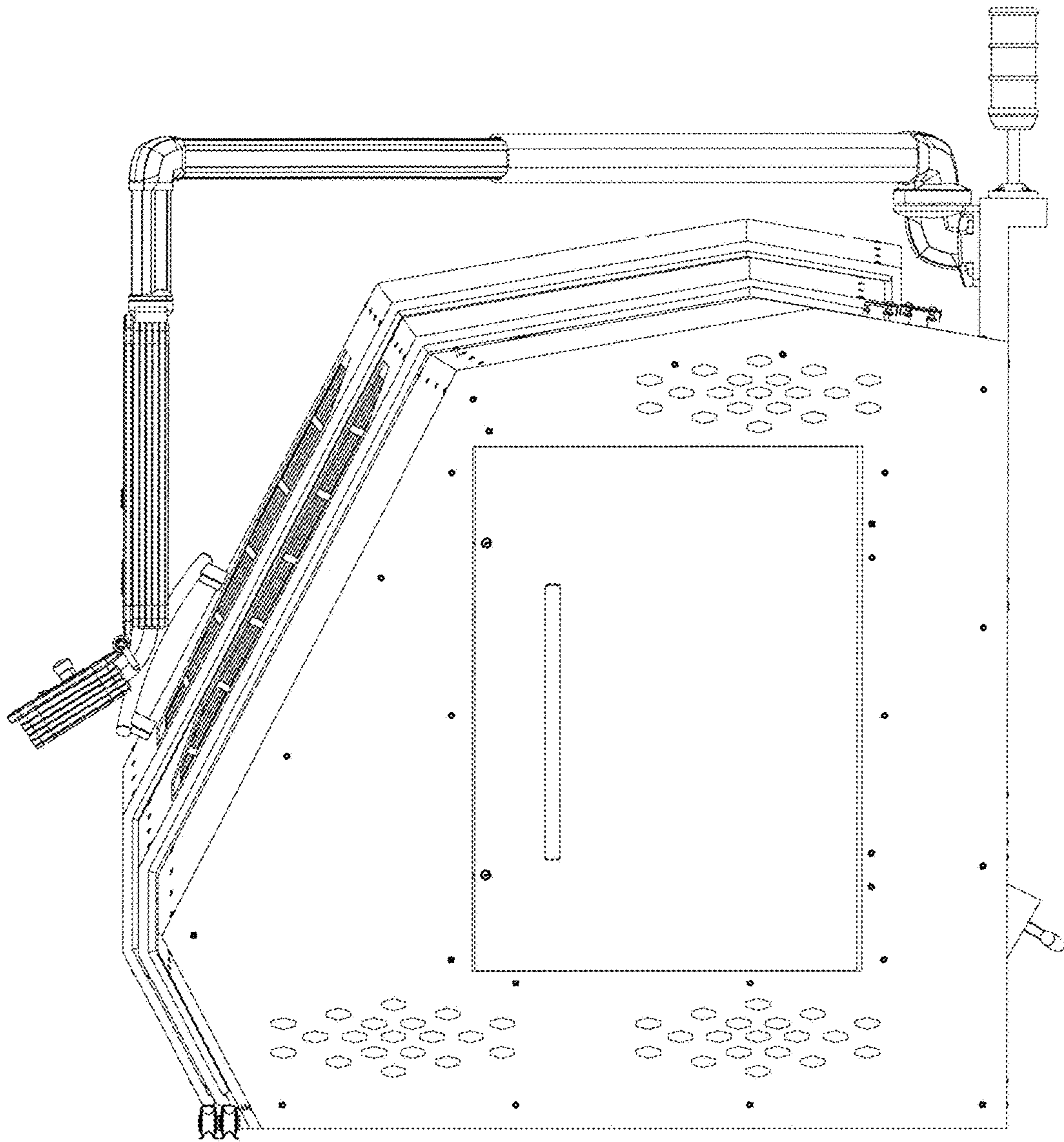


FIGURE 6

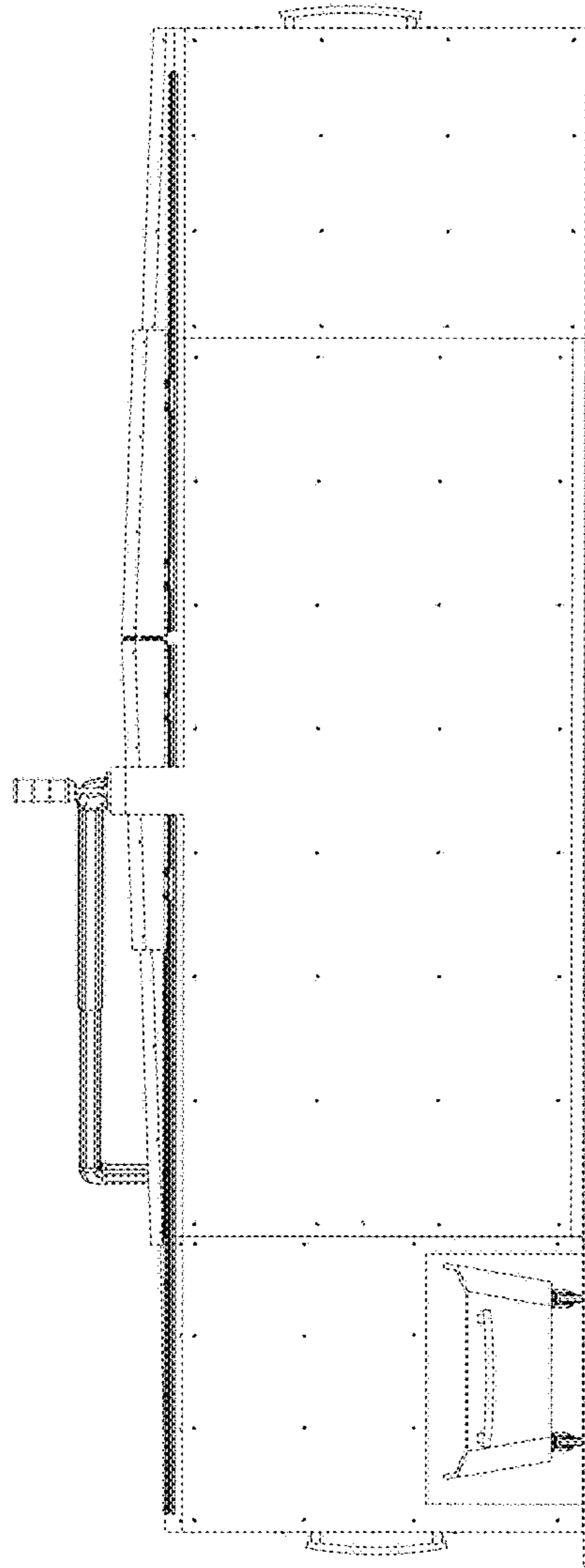


FIGURE 7

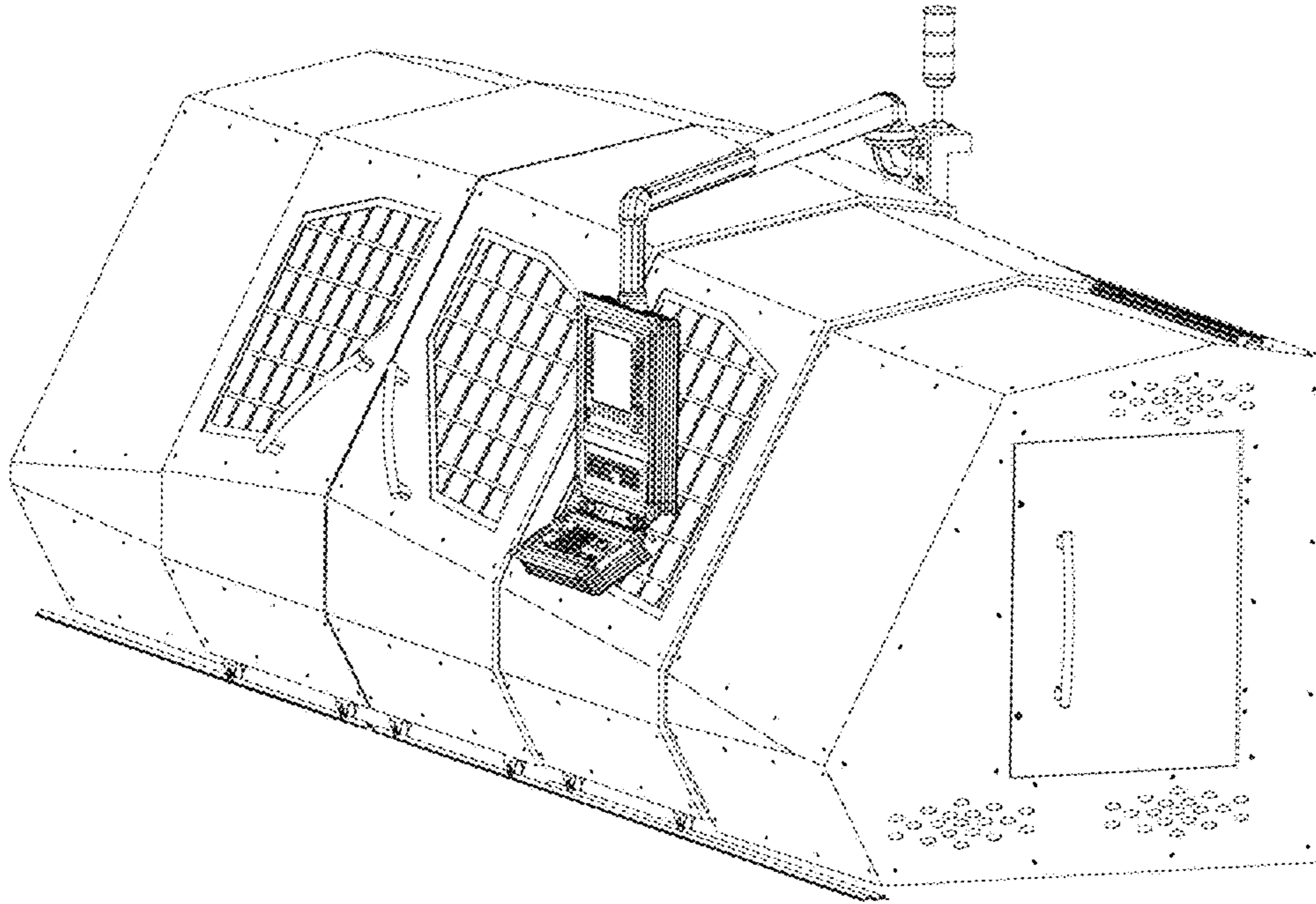


FIGURE 8

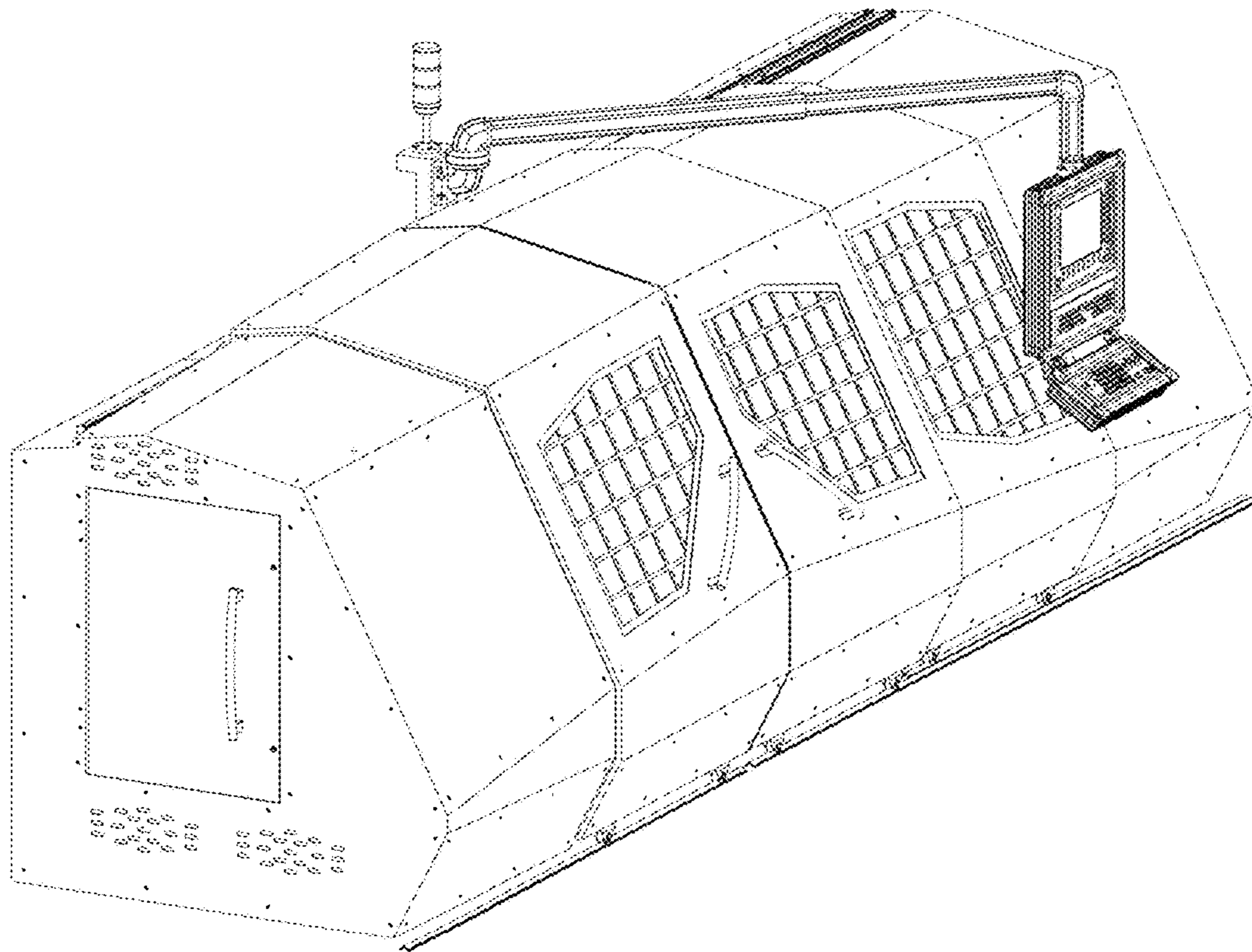


FIGURE 9

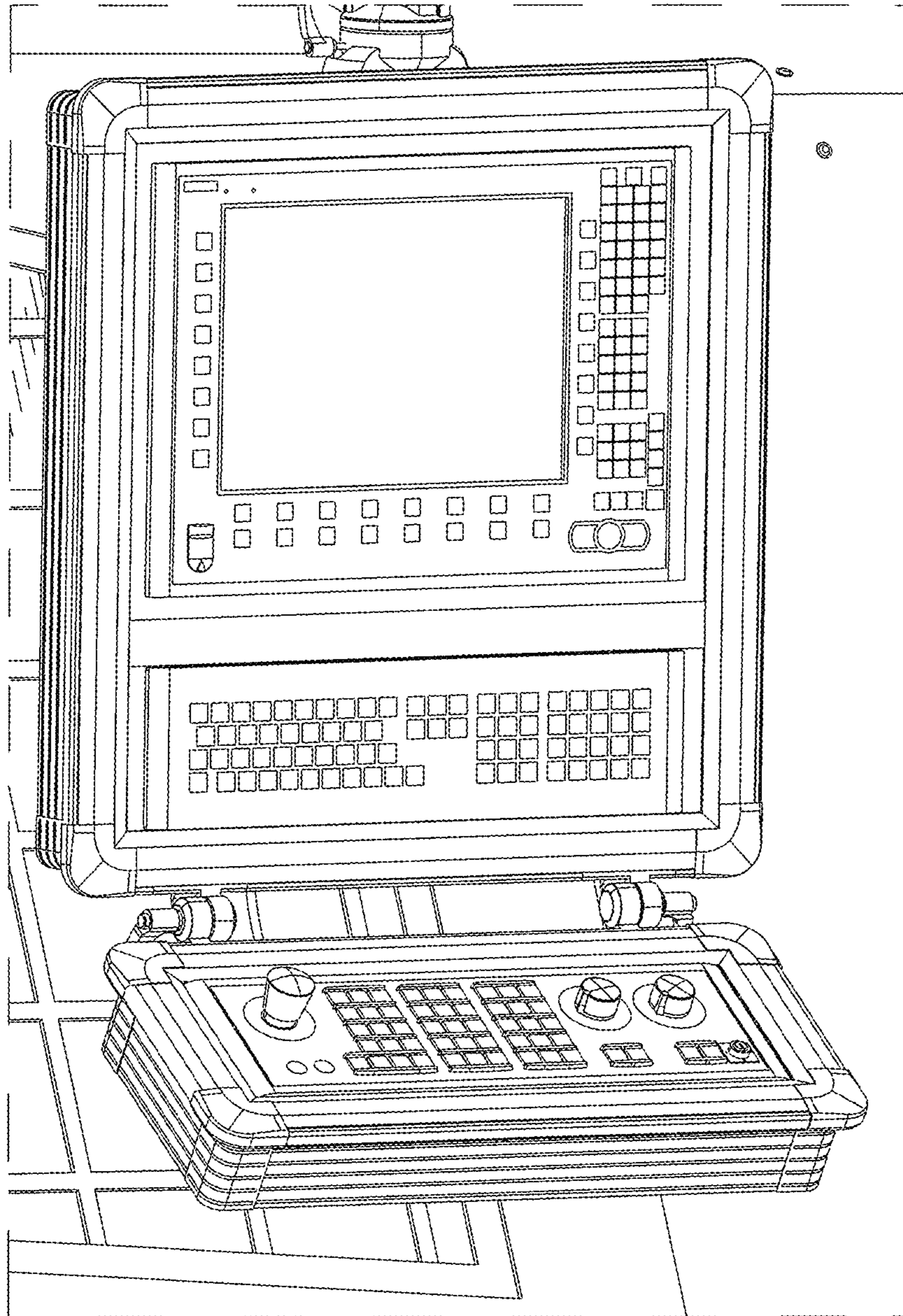


FIGURE 10