



US00D811448S

(12) **United States Design Patent** (10) **Patent No.:** **US D811,448 S**
Mutsuo (45) **Date of Patent:** **** Feb. 27, 2018**

(54) **RUBBER CRAWLER**
(71) Applicant: **BRIDGESTONE CORPORATION**,
Chou-ku, Tokyo (JP)
(72) Inventor: **Satoshi Mutsuo**, Tokyo (JP)
(73) Assignee: **BRIDGESTONE CORPORATION**,
Chuo-ku, Tokyo (JP)

D615,106 S * 5/2010 Shimozono D15/28
D618,254 S * 6/2010 Shimozono D15/28
D626,973 S * 11/2010 Shimozono D15/28
D669,503 S * 10/2012 Nomizo D15/28
D694,283 S * 11/2013 Shimozono D15/28
D723,070 S * 2/2015 Sugihara D15/28
D723,590 S * 3/2015 Tateishi D15/28
D724,107 S * 3/2015 Tateishi D15/28

(Continued)

(**) Term: **15 Years**

(21) Appl. No.: **29/594,394**

(22) Filed: **Feb. 17, 2017**

(30) **Foreign Application Priority Data**

Aug. 31, 2016 (JP) 2016-018724

(51) **LOC (11) Cl.** **15-03**

(52) **U.S. Cl.**
USPC **D15/28**

(58) **Field of Classification Search**
USPC D15/10, 22-26, 28; 305/142, 125, 132,
305/135, 195, 129, 136; 180/9.54, 9.21
CPC B62D 55/04; B62D 55/084; B62D 55/14;
B62D 55/02; B62D 55/125; B62D 55/08;
B62D 55/00

See application file for complete search history.

(56) **References Cited**

U.S. PATENT DOCUMENTS

D496,051 S * 9/2004 Yoshida D15/28
D514,133 S * 1/2006 Fujita D15/28
D543,218 S * 5/2007 Yoshida D15/28
D549,741 S * 8/2007 Tateishi D15/28
D557,713 S * 12/2007 Sugihara D15/28
D561,786 S * 2/2008 Tateishi D15/28
D562,353 S * 2/2008 Sugihara D15/28
D602,962 S * 10/2009 Miyamoto D15/28
D604,336 S * 11/2009 Furusawa D15/28
D604,337 S * 11/2009 Furusawa D15/28
D615,105 S * 5/2010 Abiko D15/28

FOREIGN PATENT DOCUMENTS

JP 984295 S 7/1997
JP 1325231 S 3/2008
JP 1440326 S 5/2012

OTHER PUBLICATIONS

Notification dated May 9, 2017 issued by the Japanese Patent Office in counterpart application No. 2016-018724.

Primary Examiner — Mark Goodwin

(74) *Attorney, Agent, or Firm* — Sughrue Mion, PLLC

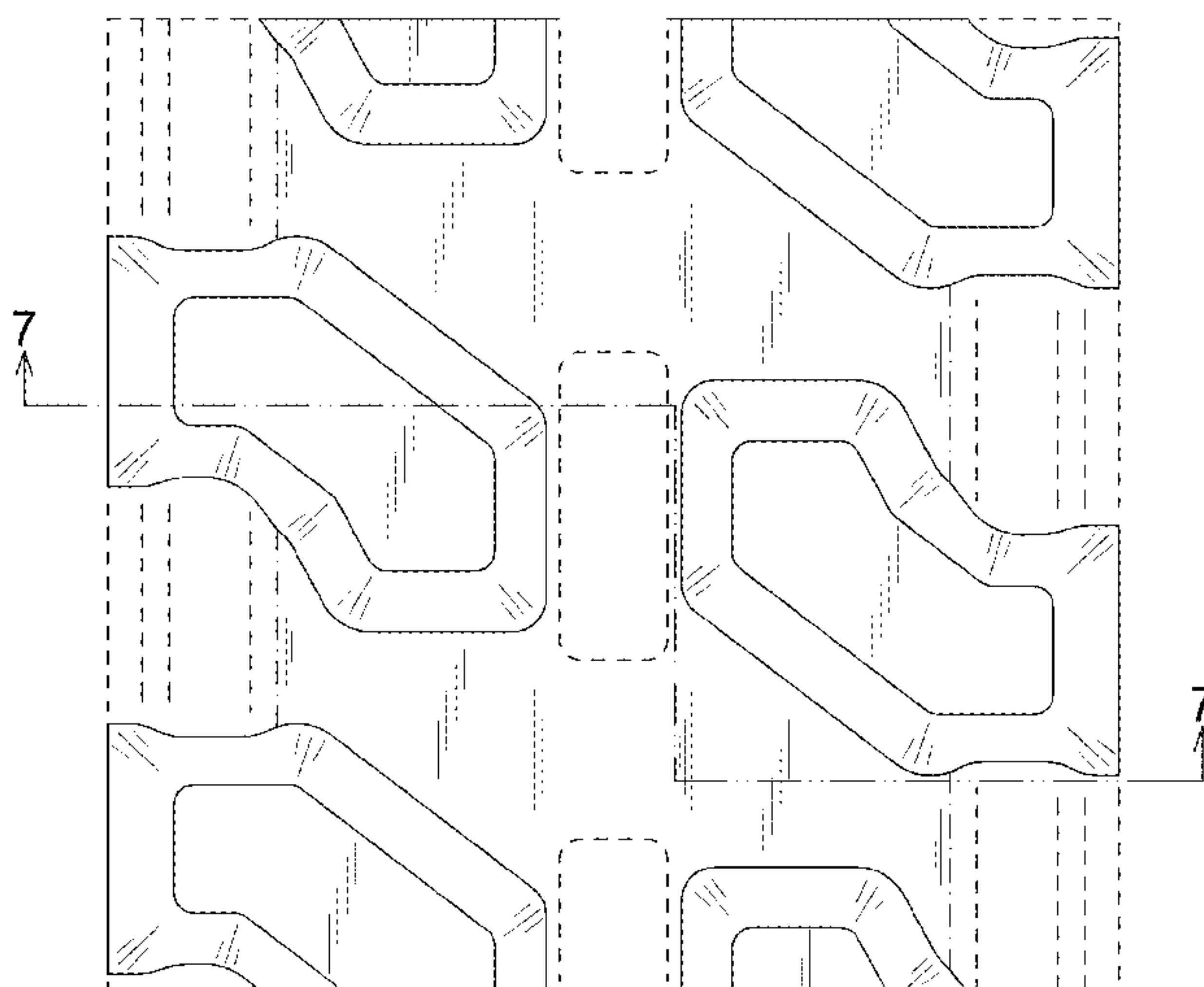
(57) **CLAIM**

The ornamental design for a rubber crawler, as shown and described.

DESCRIPTION

FIG. 1 is a front view of a rubber crawler showing my design;
FIG. 2 is a top view thereof;
FIG. 3 is a right view thereof;
FIG. 4 is a left side view thereof;
FIG. 5 is a rear view thereof;
FIG. 6 is a bottom view thereof; and,
FIG. 7 is a section view taken along line 7-7 in FIG. 1.
The dash-dot-dash lines show a boundary between claimed and unclaimed subject matter. The remaining broken lines show unclaimed environment, and thus form no part of the claimed design.

1 Claim, 7 Drawing Sheets



(56)

References Cited

U.S. PATENT DOCUMENTS

D724,628	S *	3/2015	Tateishi	D15/28
D725,682	S *	3/2015	Tateishi	D15/28
D777,804	S *	1/2017	Doyle	D15/28
D798,912	S *	10/2017	Doyle	D15/28
2009/0256280	A1 *	10/2009	Hirose	B62D 55/24 264/275
2010/0033010	A1 *	2/2010	Shimozono	B62D 55/244 305/169
2012/0139334	A1 *	6/2012	Pringiers	B62D 55/244 305/112
2012/0146401	A1 *	6/2012	Shimozono	B62D 55/244 305/169

* cited by examiner

FIG. 1

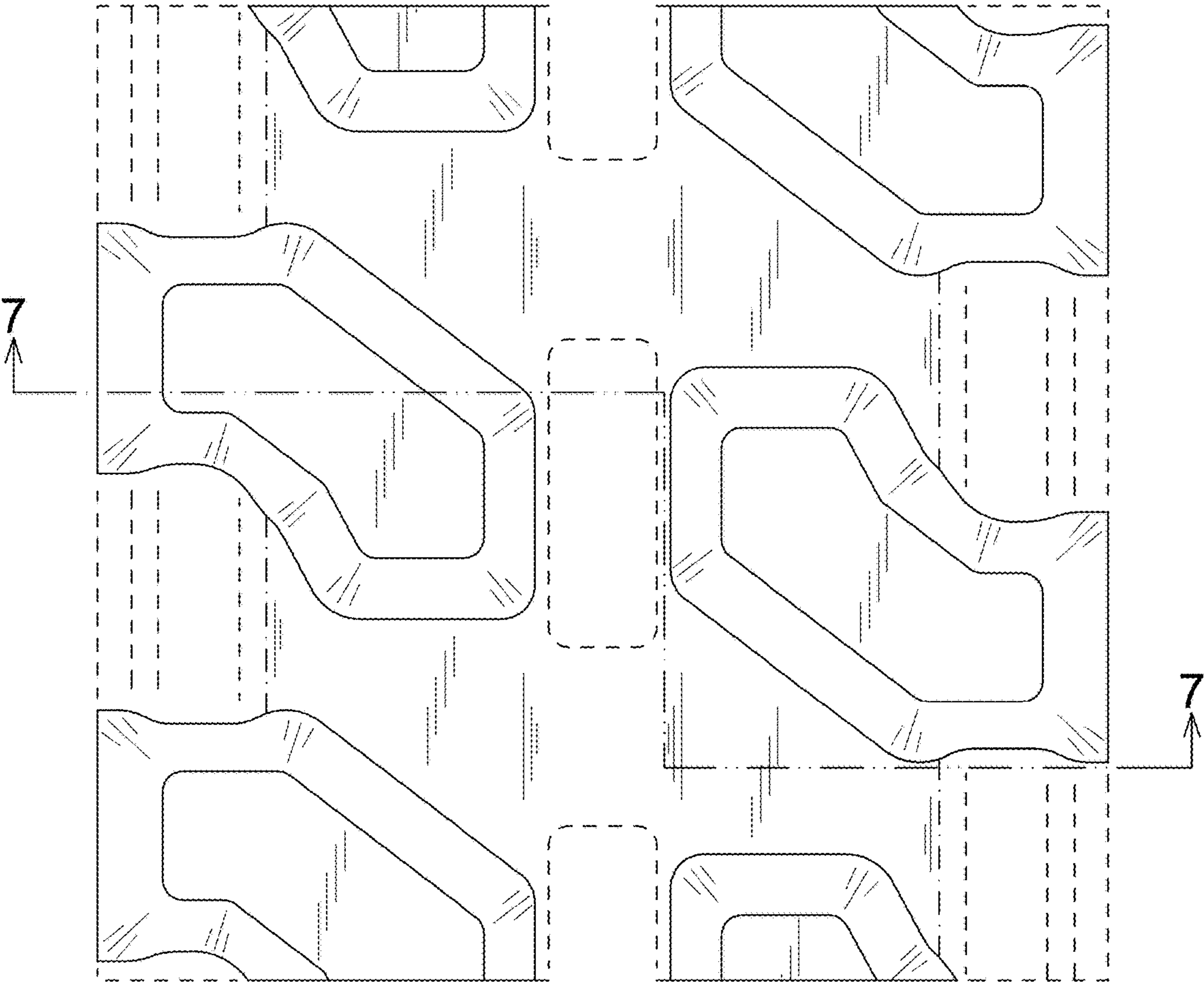


FIG. 2

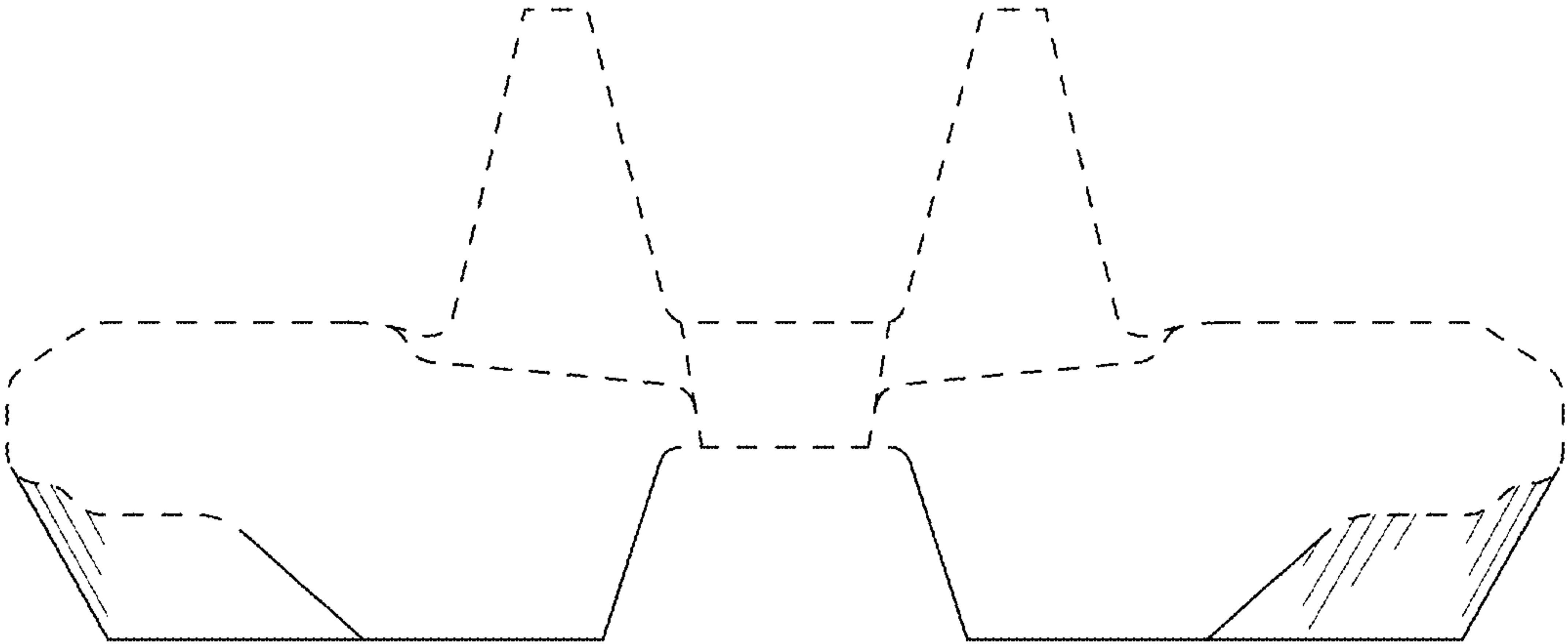


FIG. 3

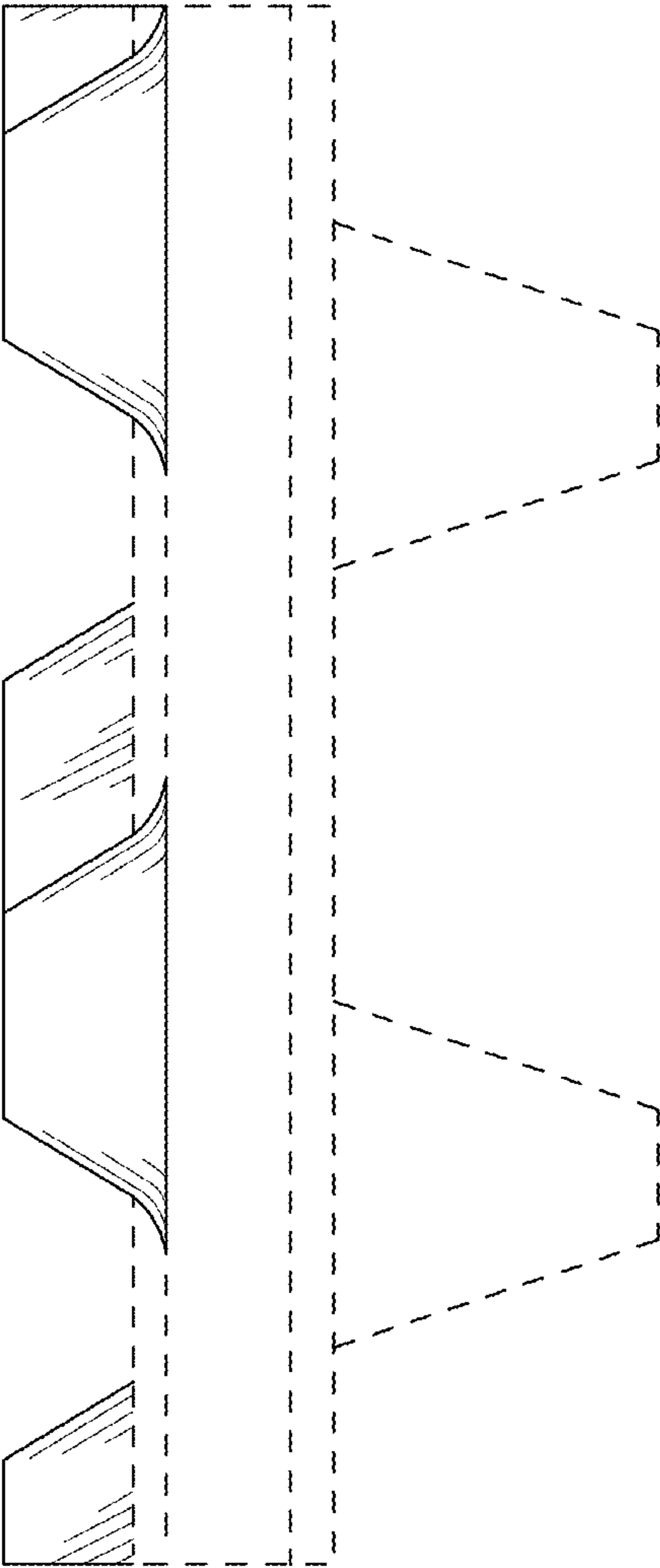


FIG. 4

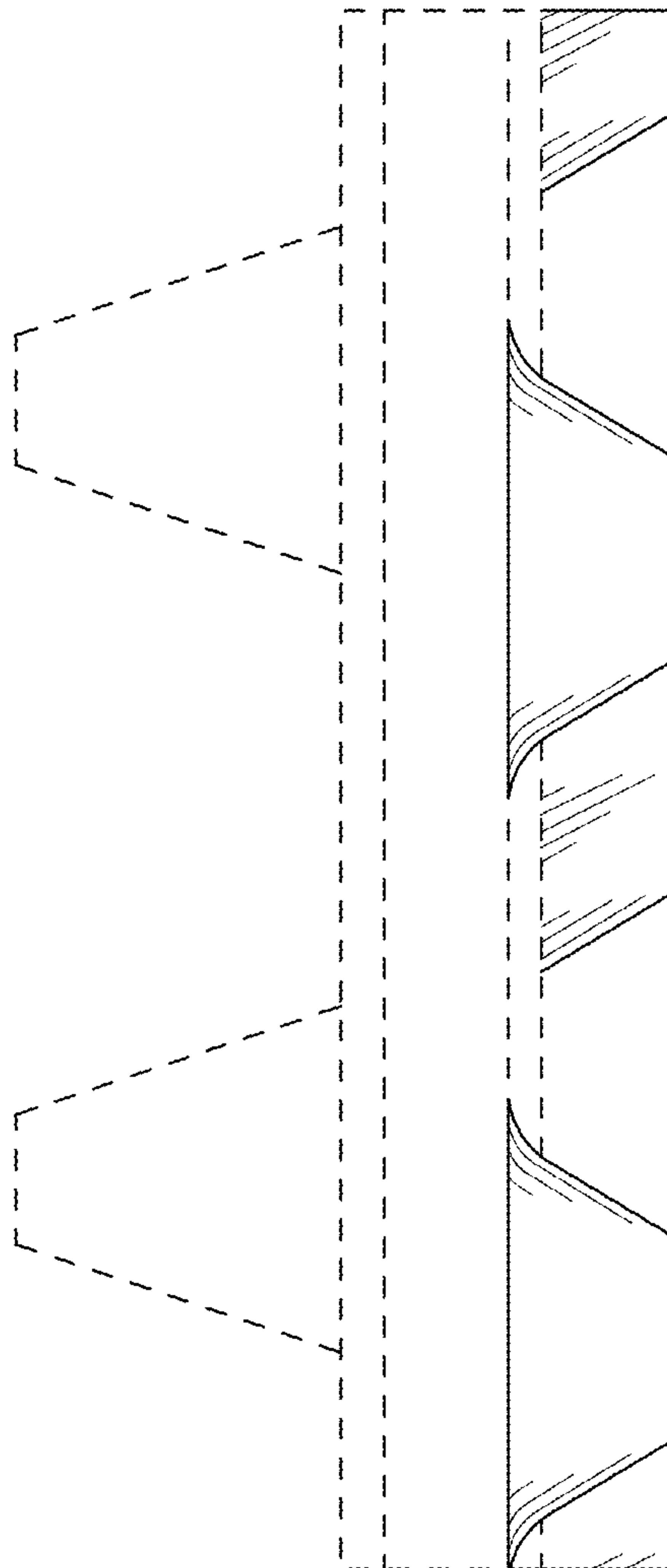


FIG. 5

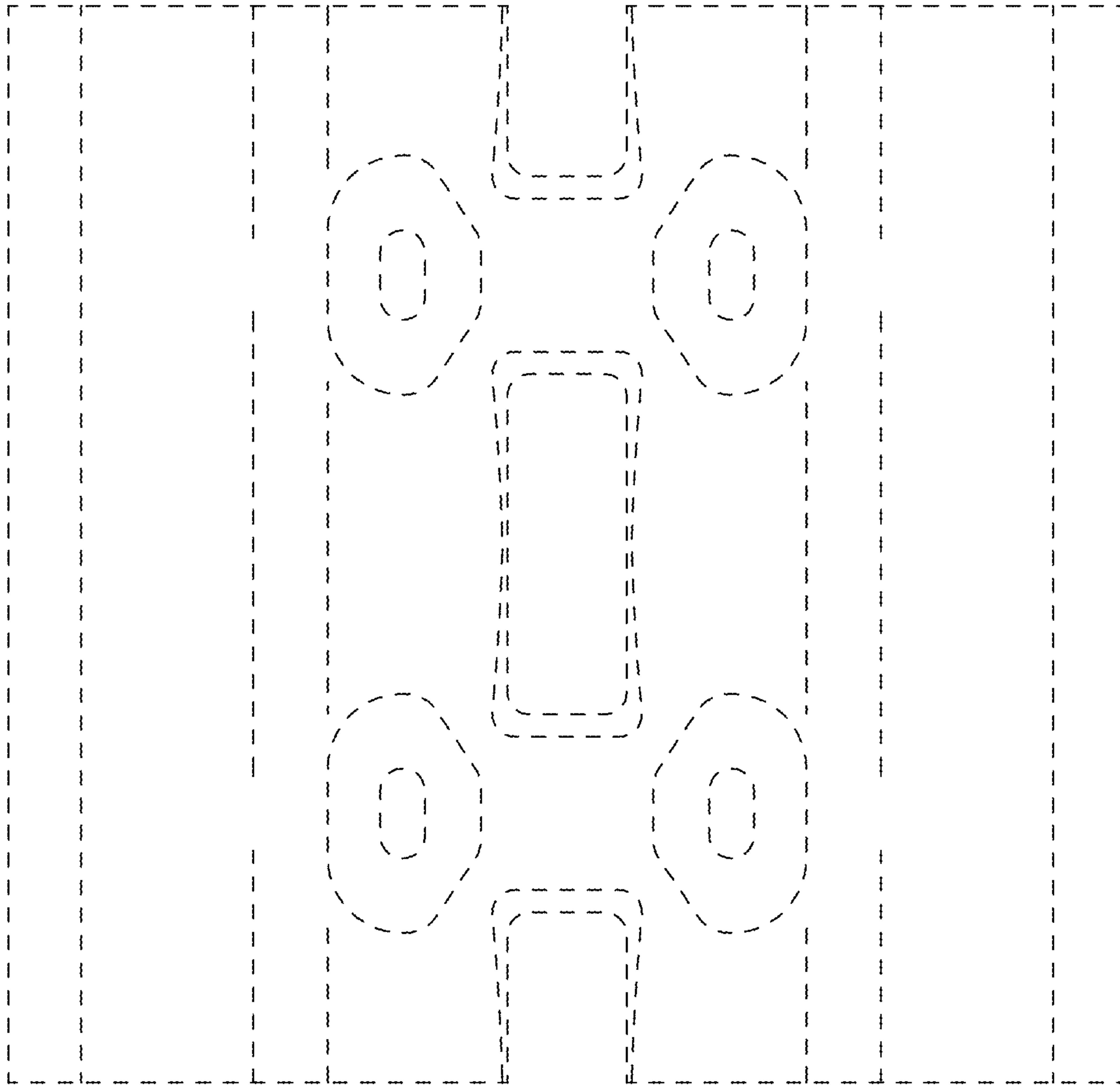


FIG. 6

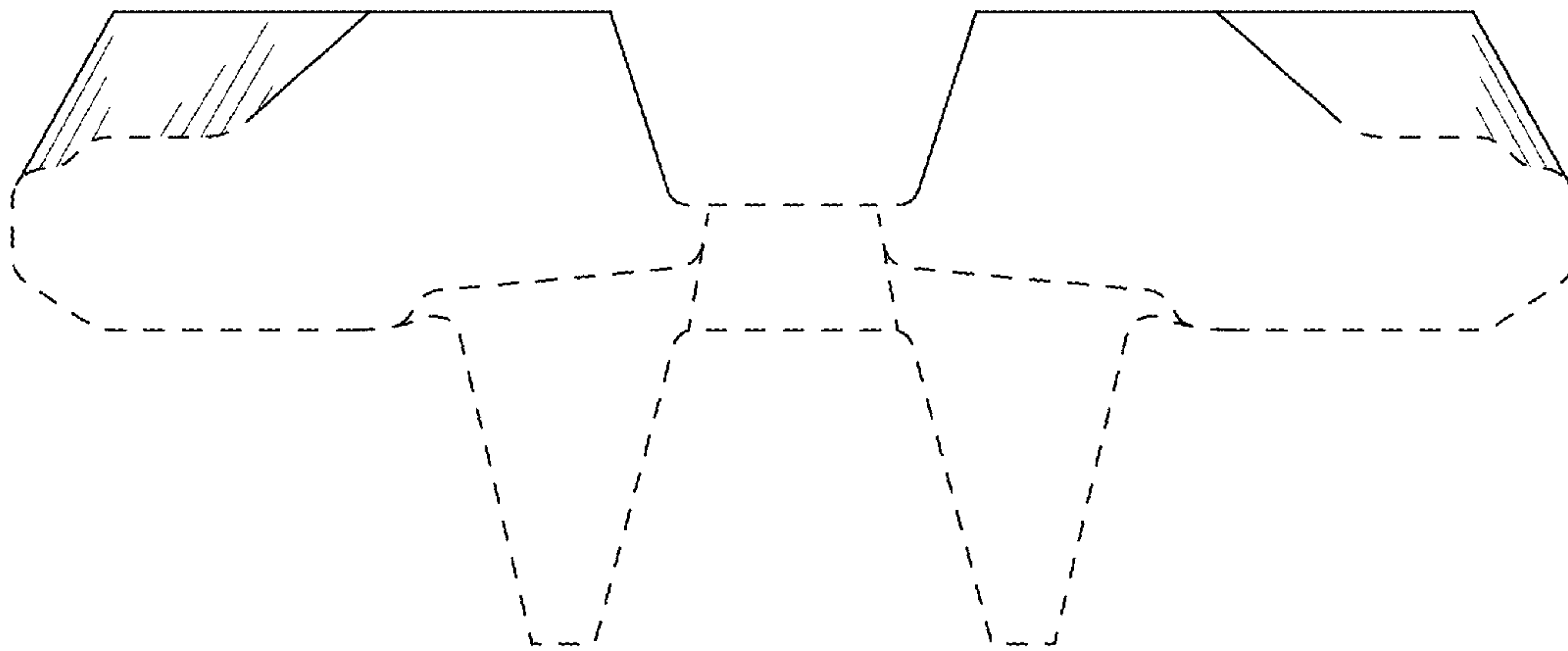


FIG. 7

