



US00D811445S

(12) **United States Design Patent** (10) **Patent No.:** **US D811,445 S**
Chia et al. (45) **Date of Patent:** **** Feb. 27, 2018**

(54) **PORTION OF A CONTROL PANEL HOUSING**

FOREIGN PATENT DOCUMENTS

(71) Applicant: **BLY IP INC.**, Salt Lake City, UT (US)

AU 201712114 4/2017
CA 174045 10/2016
EP0303855931-0001-0003 4/2017

(72) Inventors: **Bernard Soon Hon Chia**, Somerton Park (AU); **Steven McIntyre**, Westbourne Park (AU)

OTHER PUBLICATIONS

(73) Assignee: **BLY IP INC.**, Salt Lake City, UT (US)

Australian Design Certificate of Registration was issued on May 31, 2017 by the Australian Patent Office for AU Application No. 201712114, which was filed on Apr. 10, 2017 and granted as 201712114 on May 31, 2017 (Applicant—BLY IP Inc.) (1 page).

(**) Term: **15 Years**

(Continued)

(21) Appl. No.: **29/581,754**

Primary Examiner — Mark Goodwin

(22) Filed: **Oct. 21, 2016**

(74) *Attorney, Agent, or Firm* — Ballard Spahr LLP

(51) **LOC (11) Cl.** **15-03**

(57) **CLAIM**

(52) **U.S. Cl.**

The ornamental design for a portion of a control panel housing, as shown and described.

USPC **D15/28**

(58) **Field of Classification Search**

DESCRIPTION

USPC D15/28; D13/162, 164, 168; D14/217, D14/396, 400; D34/34, 35; 318/700, 318/701; 180/315, 316, 325, 19.1, 19.3, 180/90; 361/679, 680, 690; 700/90, 160, 700/17, 83; 296/70; 280/43.12, 752
CPC B62D 33/06; B60K 26/00; B60K 37/00
See application file for complete search history.

FIG. 1 is a top perspective view of a portion of a control panel housing showing our new design; FIG. 2 is a right side elevational view of the portion of the control panel housing of FIG. 1, the left side elevational view of the portion of the control panel housing being a mirror image thereof; FIG. 3 is a front elevational view of the portion of the control panel housing of FIG. 1; FIG. 4 is a rear elevational view of the portion of the control panel housing of FIG. 1; and, FIG. 5 is a top plan view of the portion of the control panel housing of FIG. 1.

(56) **References Cited**

U.S. PATENT DOCUMENTS

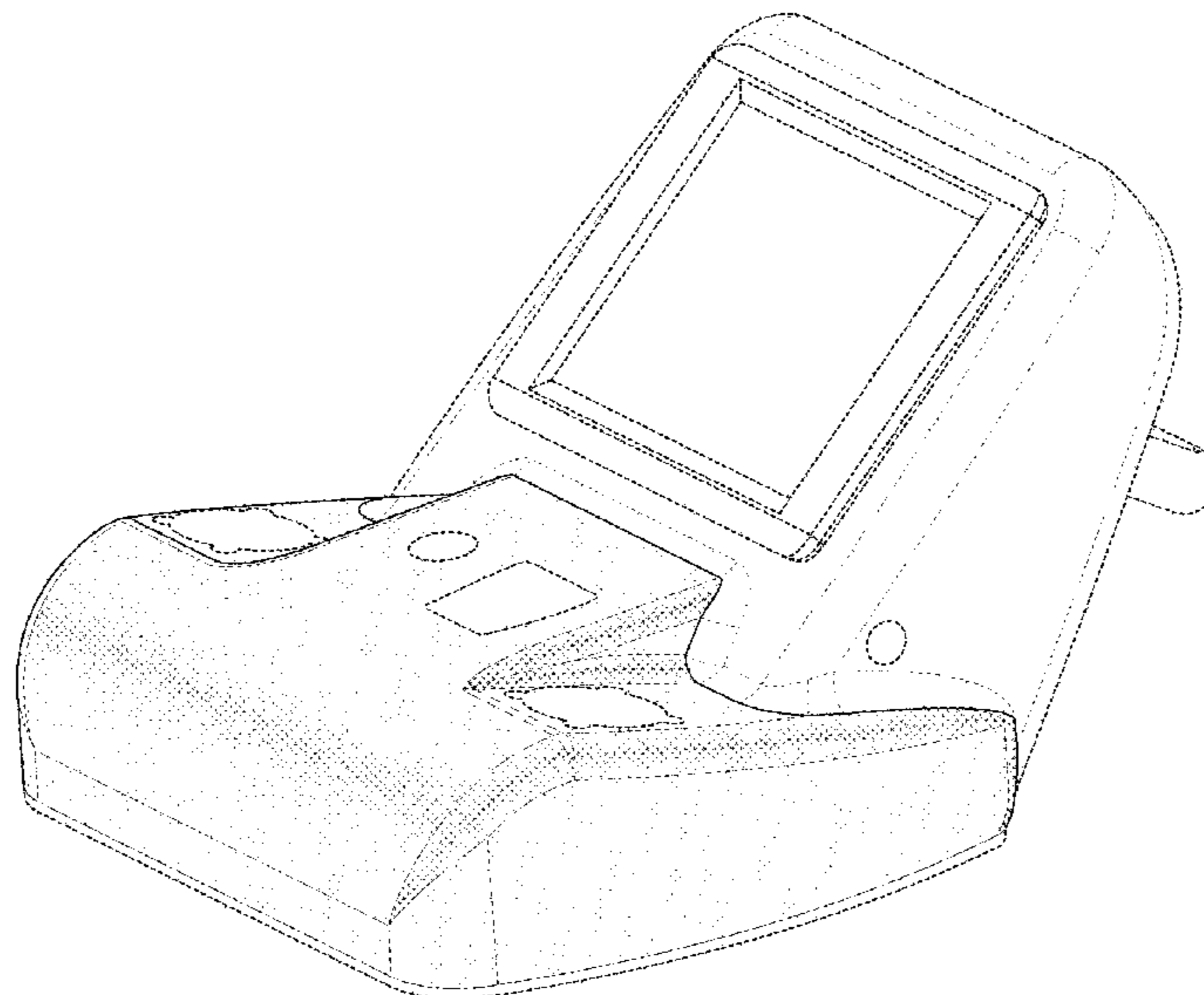
D283,705 S * 5/1986 Cook D13/162
D371,345 S * 7/1996 Martino D14/150
D542,504 S * 5/2007 Yanagida D34/35
D566,660 S * 4/2008 Ludwig D13/162
D590,122 S * 4/2009 Shaw D34/35
D599,075 S * 8/2009 Shibata D34/35
D599,745 S * 9/2009 Yang D13/164
D627,798 S * 11/2010 Berning D15/28
D627,799 S * 11/2010 Berning D15/28
D627,800 S * 11/2010 Berning D15/28

The broken lines having consistent dash lengths (dash-dash-dash) are shown on the control panel housing for illustrative purposes only and form no part of the claimed design.

The broken lines having variable dash lengths (long dash-short dash-long dash) are boundary lines representing a boundary of the claimed design.

(Continued)

1 Claim, 5 Drawing Sheets



(56)

References Cited

U.S. PATENT DOCUMENTS

D627,801 S	*	11/2010	Berning	D15/28
D628,603 S	*	12/2010	Berning	D15/28
D667,848 S	*	9/2012	Schindler	D15/21
D675,998 S	*	2/2013	Pointner	D13/164
D689,443 S	*	9/2013	Ewringmann	D13/164
D690,325 S	*	9/2013	Scott	D15/28
D690,326 S	*	9/2013	Scott	D15/28
D691,096 S	*	10/2013	Beroukas	D13/162
D706,308 S	*	6/2014	Takahashi	D15/28
D709,046 S	*	7/2014	Broadbent	D14/142
D742,936 S	*	11/2015	Ewringmann	D15/28
D770,541 S	*	11/2016	Ewringmann	D15/28

OTHER PUBLICATIONS

U.S. Appl. No. 29/581,753, filed Oct. 21, 2016, Bernard Soon Hon Chia.

U.S. Appl. No. 29/581,757, filed Oct. 21, 2016, Bernard Soon Hon Chia.

* cited by examiner

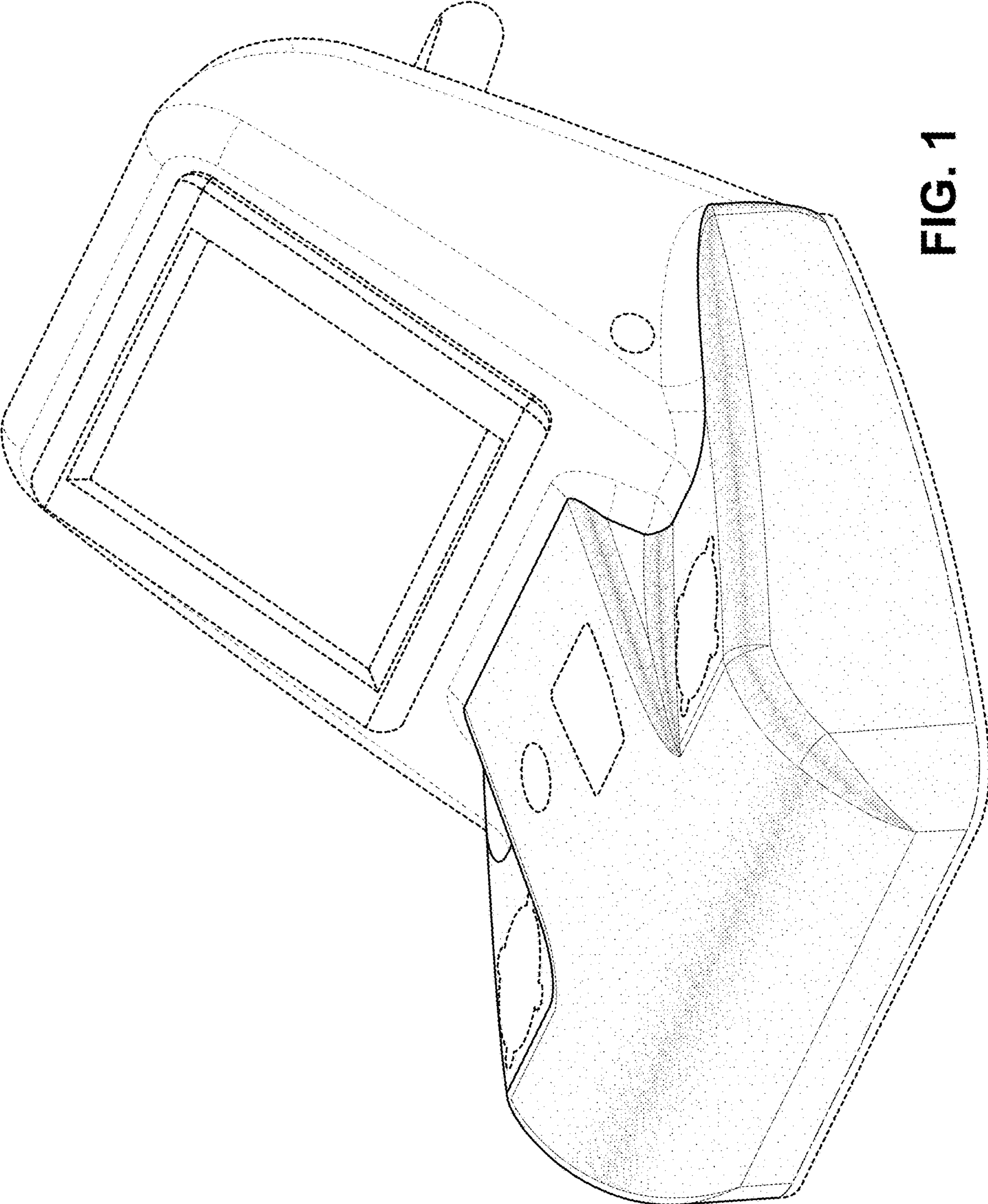


FIG. 1

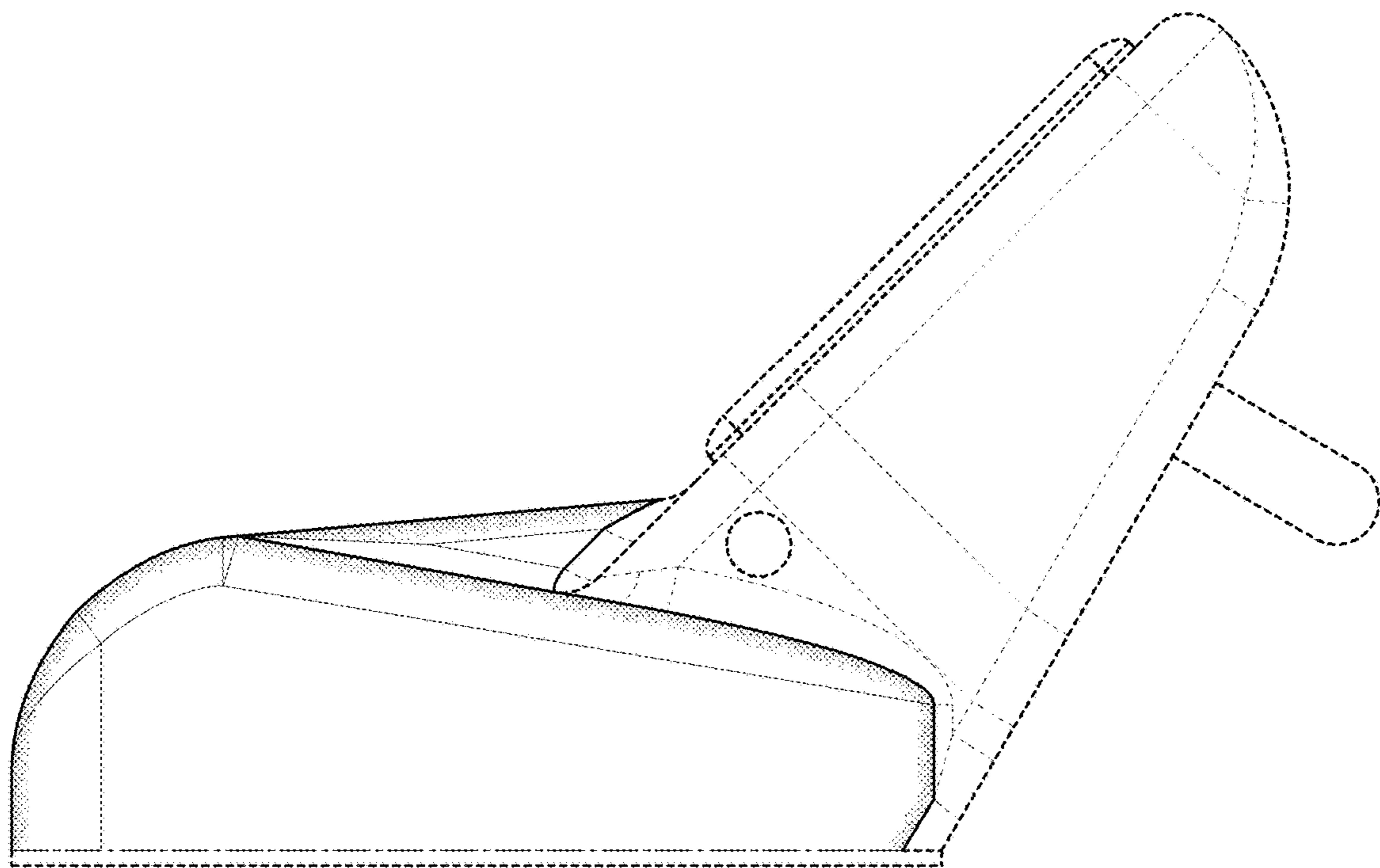


FIG. 2

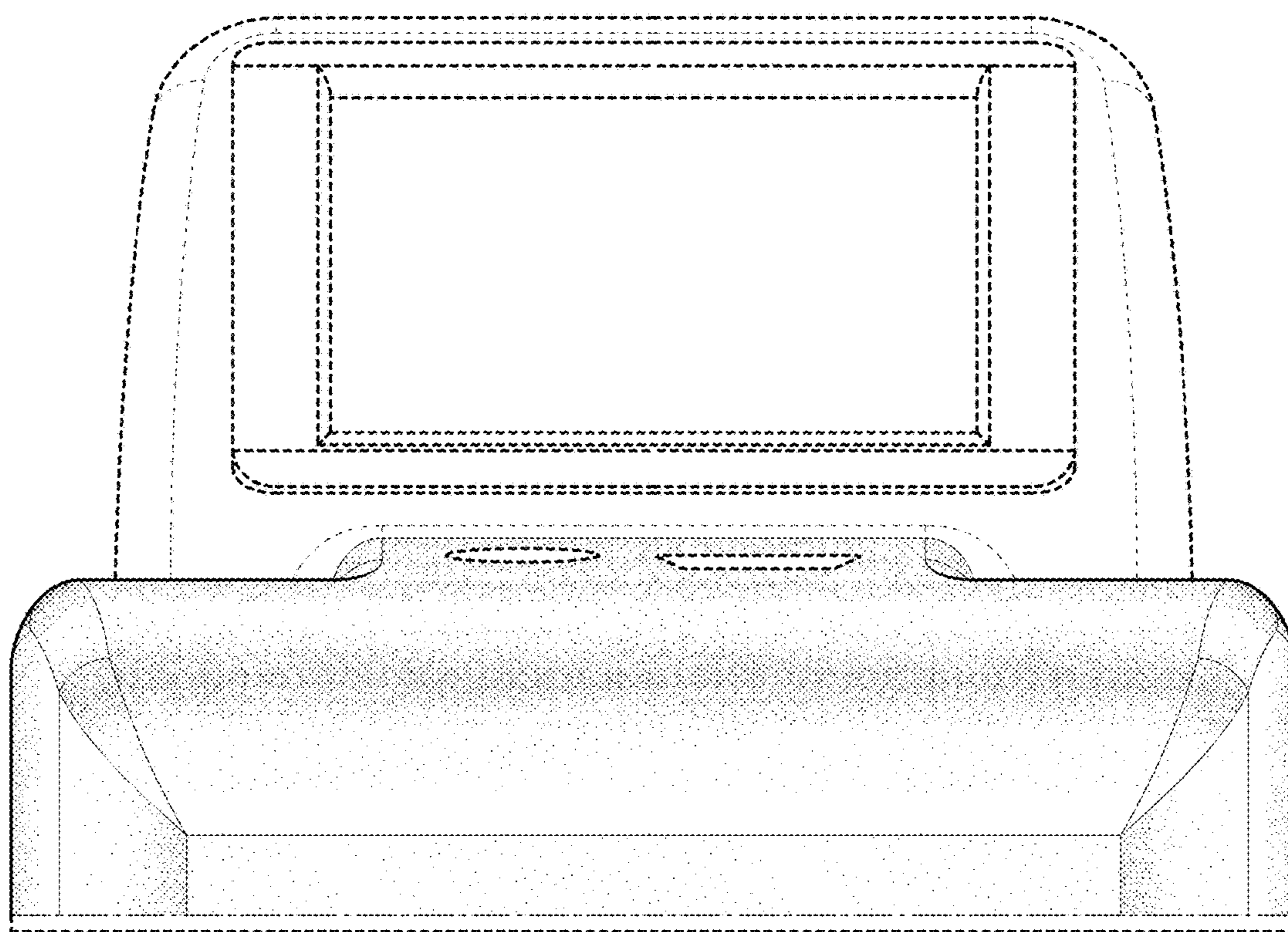


FIG. 3

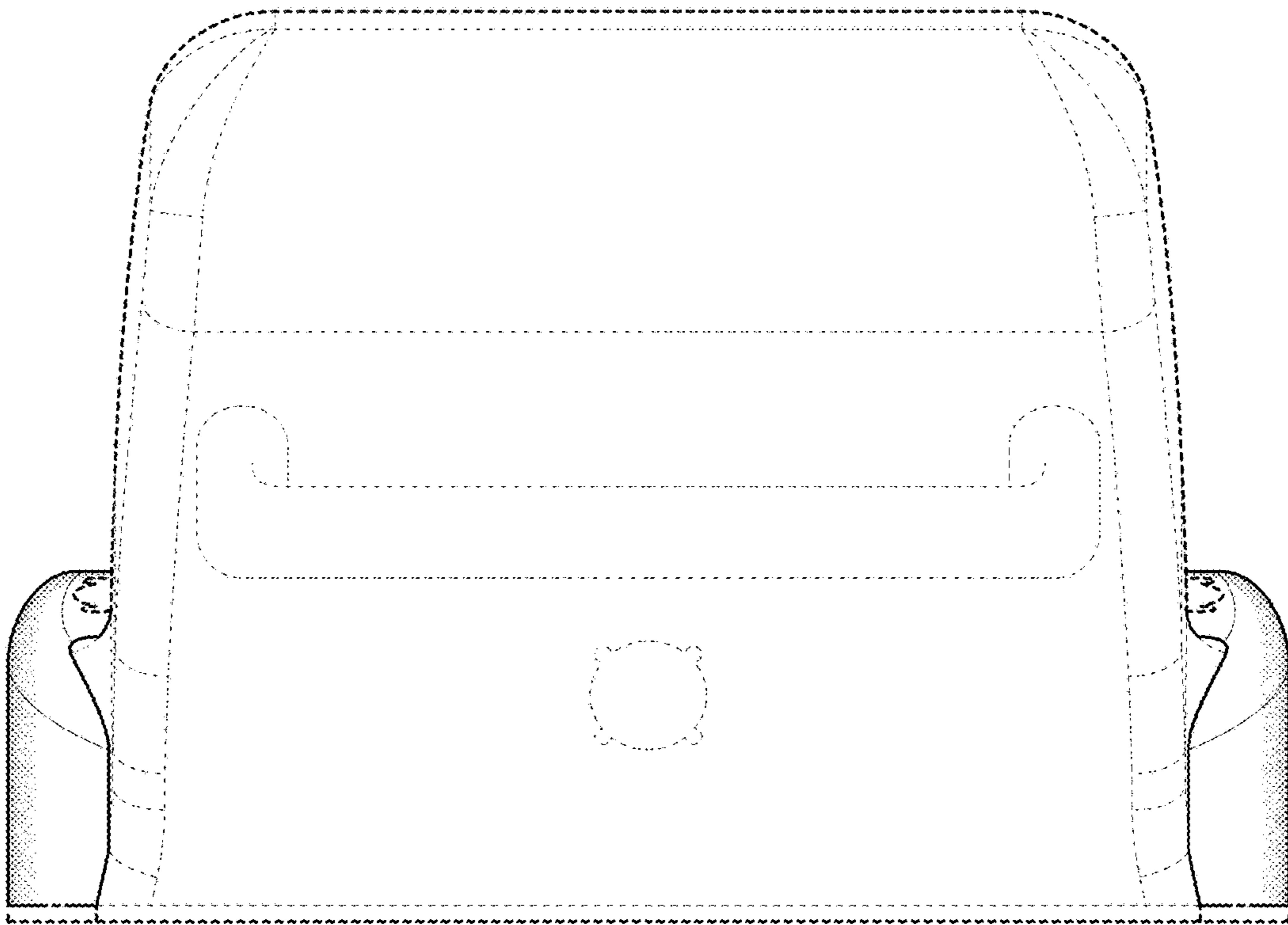


FIG. 4

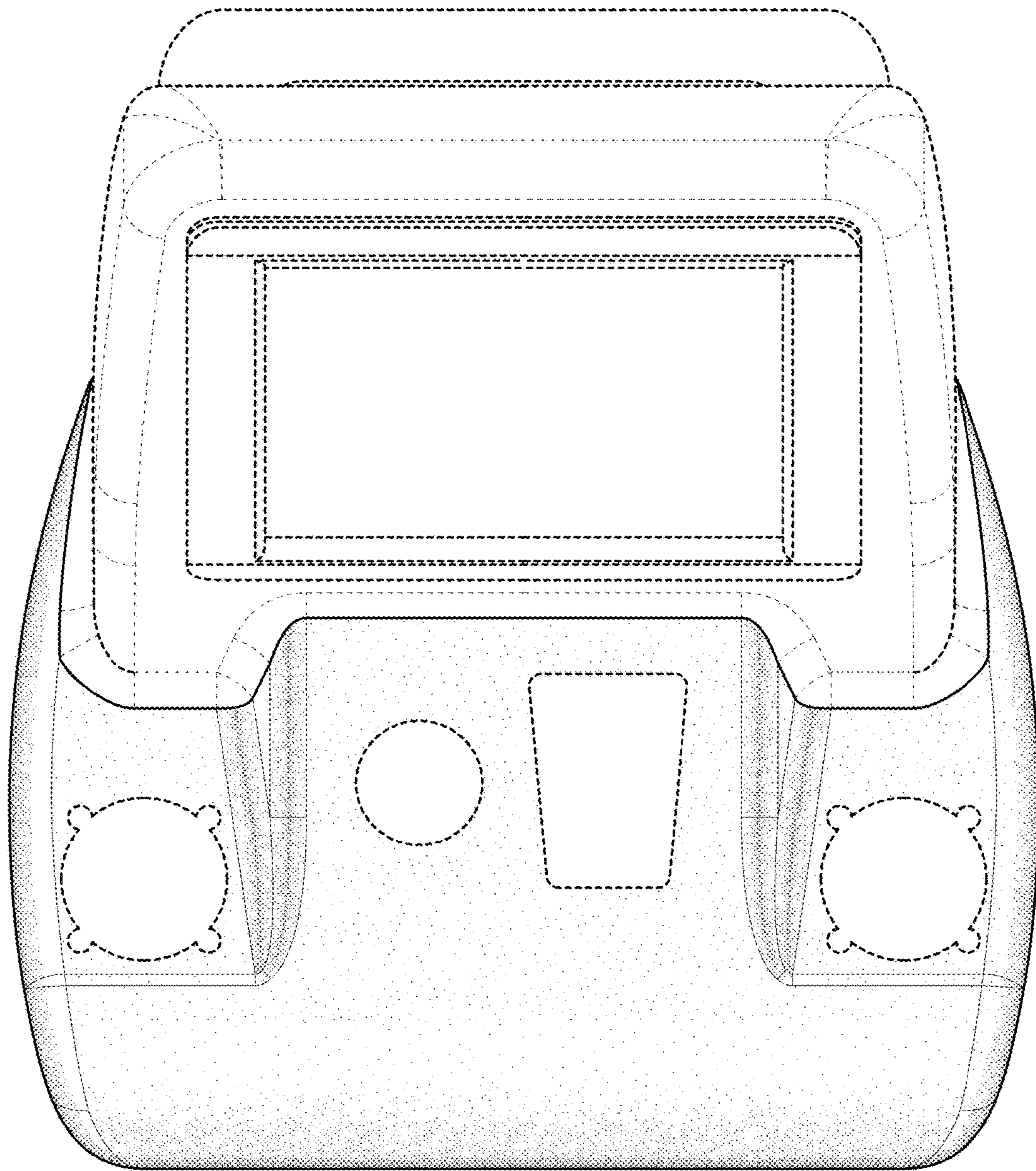


FIG. 5