



US00D811443S

(12) **United States Design Patent**
Marini

(10) **Patent No.:** **US D811,443 S**

(45) **Date of Patent:** **** Feb. 27, 2018**

(54) **ACCESSORIES FOR INFLATION AND REPAIR OF TIRES**

(71) Applicant: **TEK GLOBAL S.r.l.**, Pesaro (IT)

(72) Inventor: **Maurizio Marini**, Pesaro (IT)

(73) Assignee: **TEK GLOBAL S.R.L.**, Pesaro (IT)

(**) Term: **15 Years**

(21) Appl. No.: **29/589,111**

(22) Filed: **Dec. 28, 2016**

Related U.S. Application Data

(62) Division of application No. 29/497,848, filed on Jul. 29, 2014, now Pat. No. Des. 778,959.

(30) **Foreign Application Priority Data**

Jan. 29, 2014 (EM) 002394833

(51) **LOC (11) Cl.** **15-02**

(52) **U.S. Cl.**
USPC **D15/9**

(58) **Field of Classification Search**

USPC D15/7-9; D23/231, 232, 225; 417/60, 417/235, 265, 321, 355, 358, 363, 359, 417/410.1, 415-416, 405, 900; 60/408, 60/412; 184/26-37; 415/140-147, 127; 123/495, 509; 137/565.34

CPC F02M 37/04; F02M 37/14
See application file for complete search history.

(56) **References Cited**

U.S. PATENT DOCUMENTS

D214,962 S * 8/1969 Levin D15/8
D498,481 S * 11/2004 Wang D15/8

D538,825 S * 3/2007 Chen Han D15/9
D623,201 S * 9/2010 Yu D15/7
D649,164 S * 11/2011 Cook D15/7
D668,676 S * 10/2012 Ohm D15/7
D705,819 S * 5/2014 Seymour D15/9

* cited by examiner

Primary Examiner — Ralf T Seifert

(74) *Attorney, Agent, or Firm* — Ladas & Parry LLP

(57) **CLAIM**

I claim the ornamental design for accessories for inflation and repair of tires, as shown.

DESCRIPTION

FIG. 1 is a top/side perspective of view of our first embodiment of said new design for accessories for inflation and repair of tires;

FIG. 2 is a rear elevation view thereof;

FIG. 3 is a front elevation view thereof;

FIG. 4 is a left side elevation view thereof;

FIG. 5 is a right side elevation view thereof;

FIG. 6 is a top plan view thereof;

FIG. 7 is a bottom plan view thereof;

FIG. 8 is an exploded top/side perspective view for accessories for inflation and repair of tires showing a second embodiment of my new design;

FIG. 9 is a front elevation view of FIG. 8;

FIG. 10 is a rear elevation view of FIG. 8;

FIG. 11 is a left side elevation view of FIG. 8;

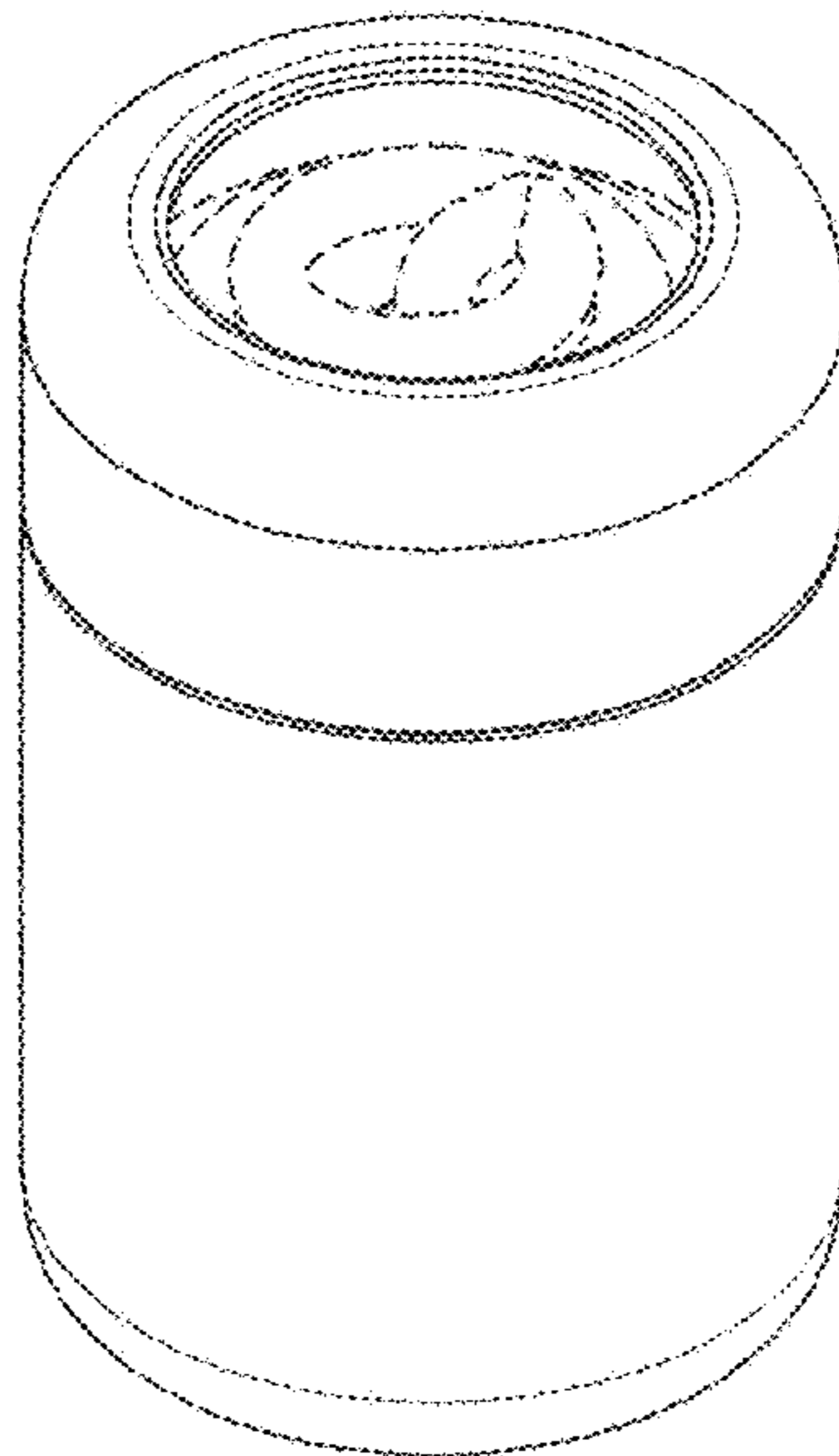
FIG. 12 is a right side elevation view of FIG. 8;

FIG. 13 is a top plan view of FIG. 8; and,

FIG. 14 is a bottom plan view of FIG. 8.

The broken lines are for illustrative purposes only and form no part of the claimed design.

1 Claim, 14 Drawing Sheets



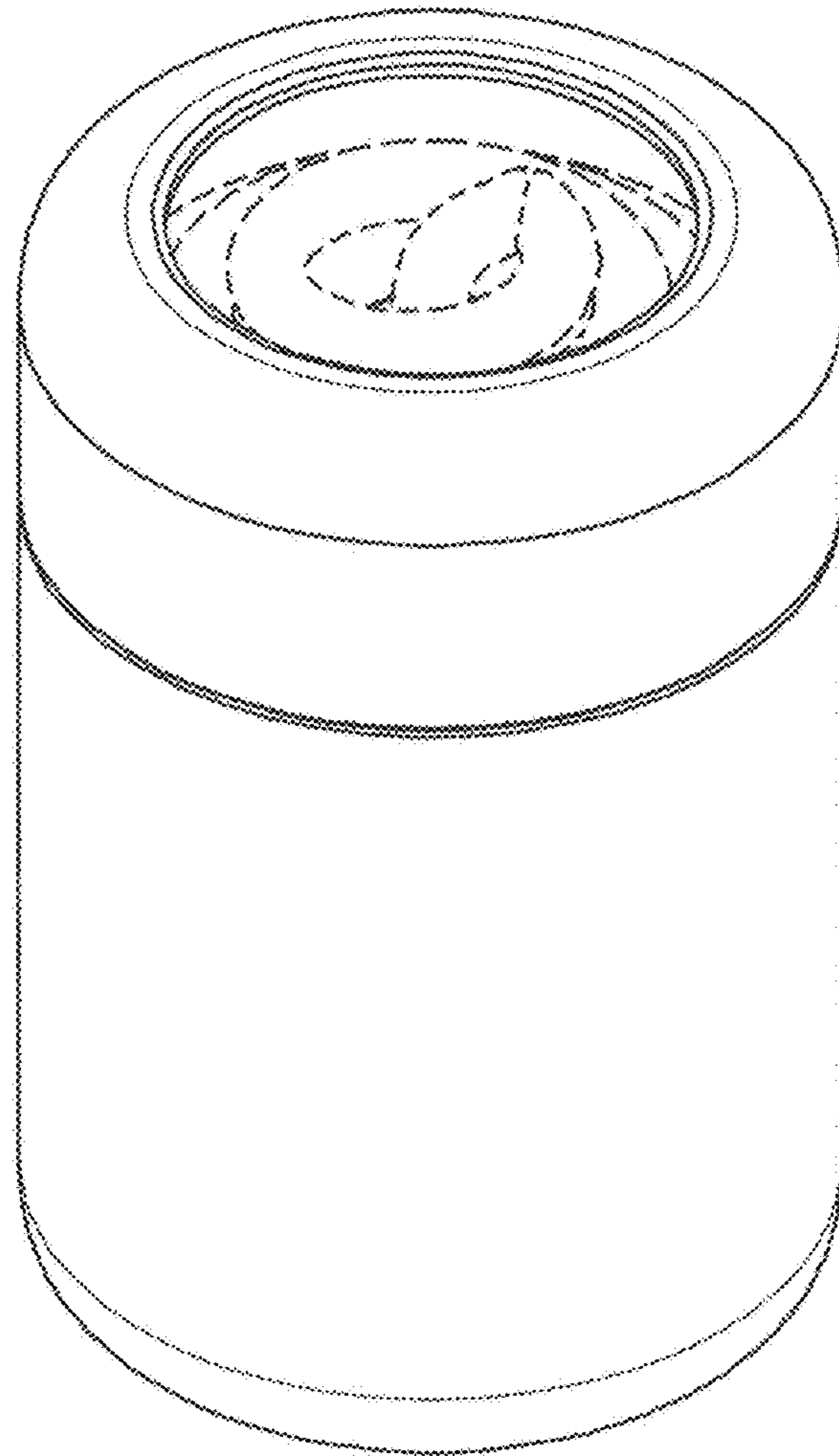


FIG. 1

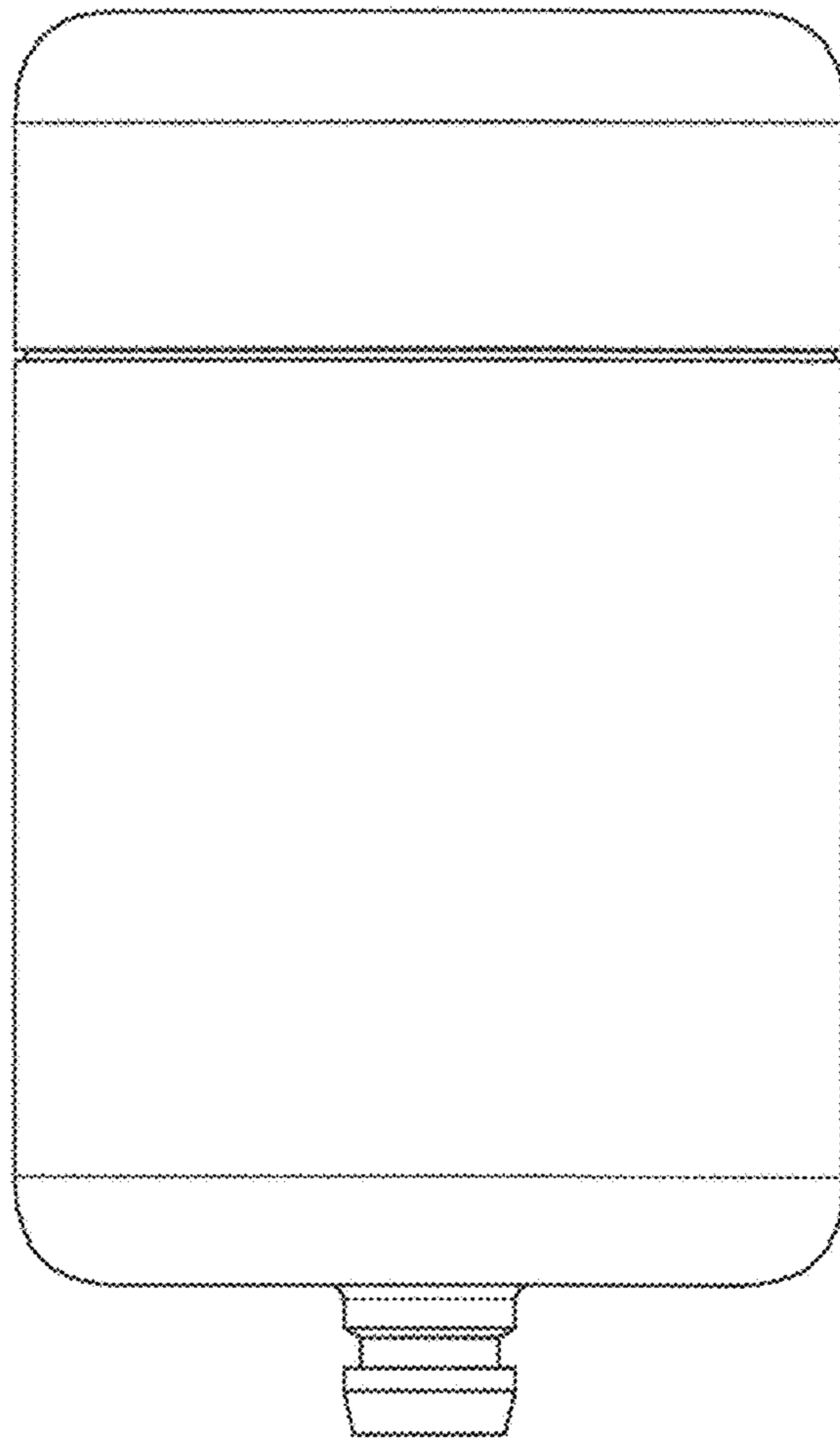


FIG. 2

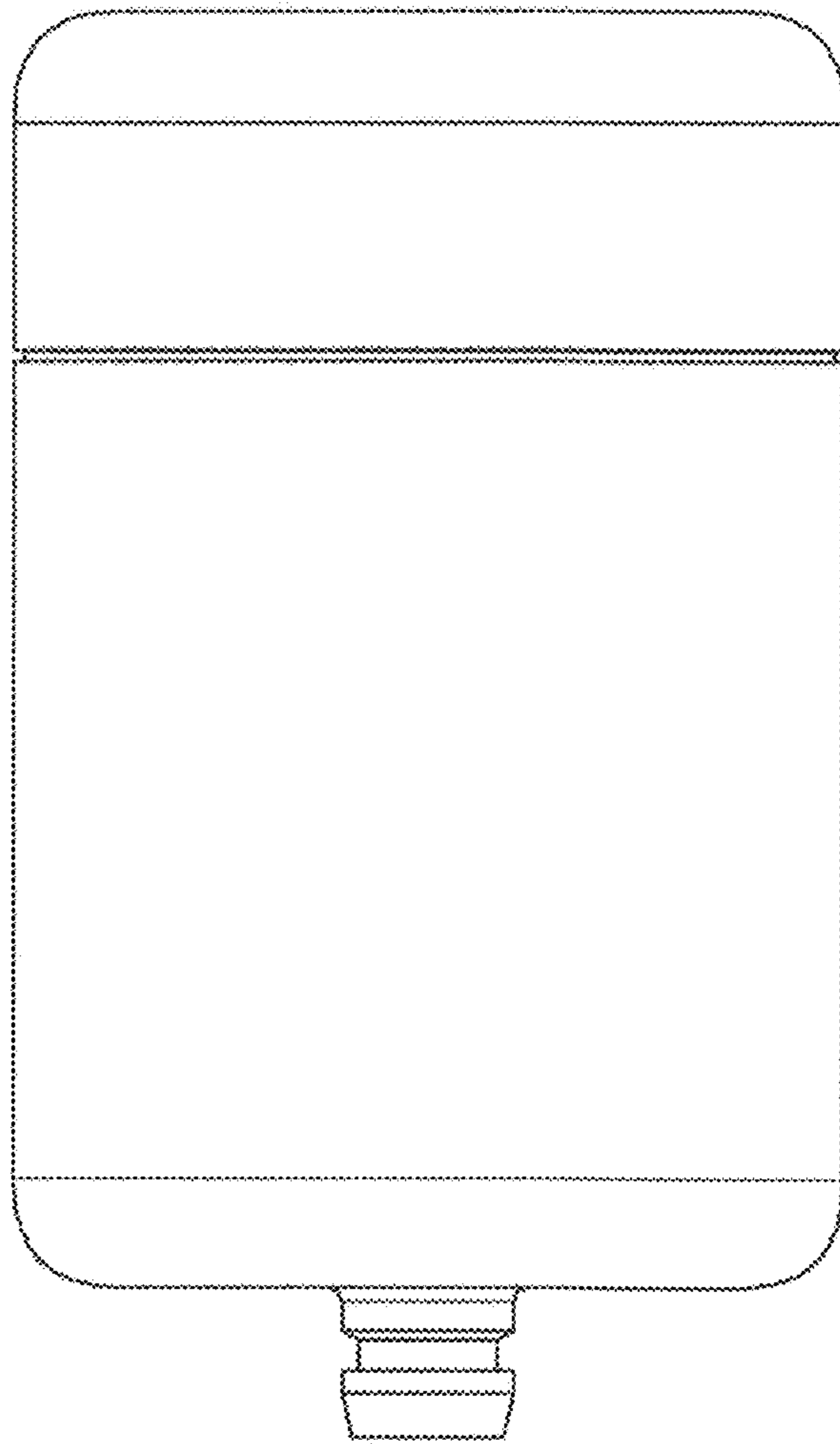


FIG. 3

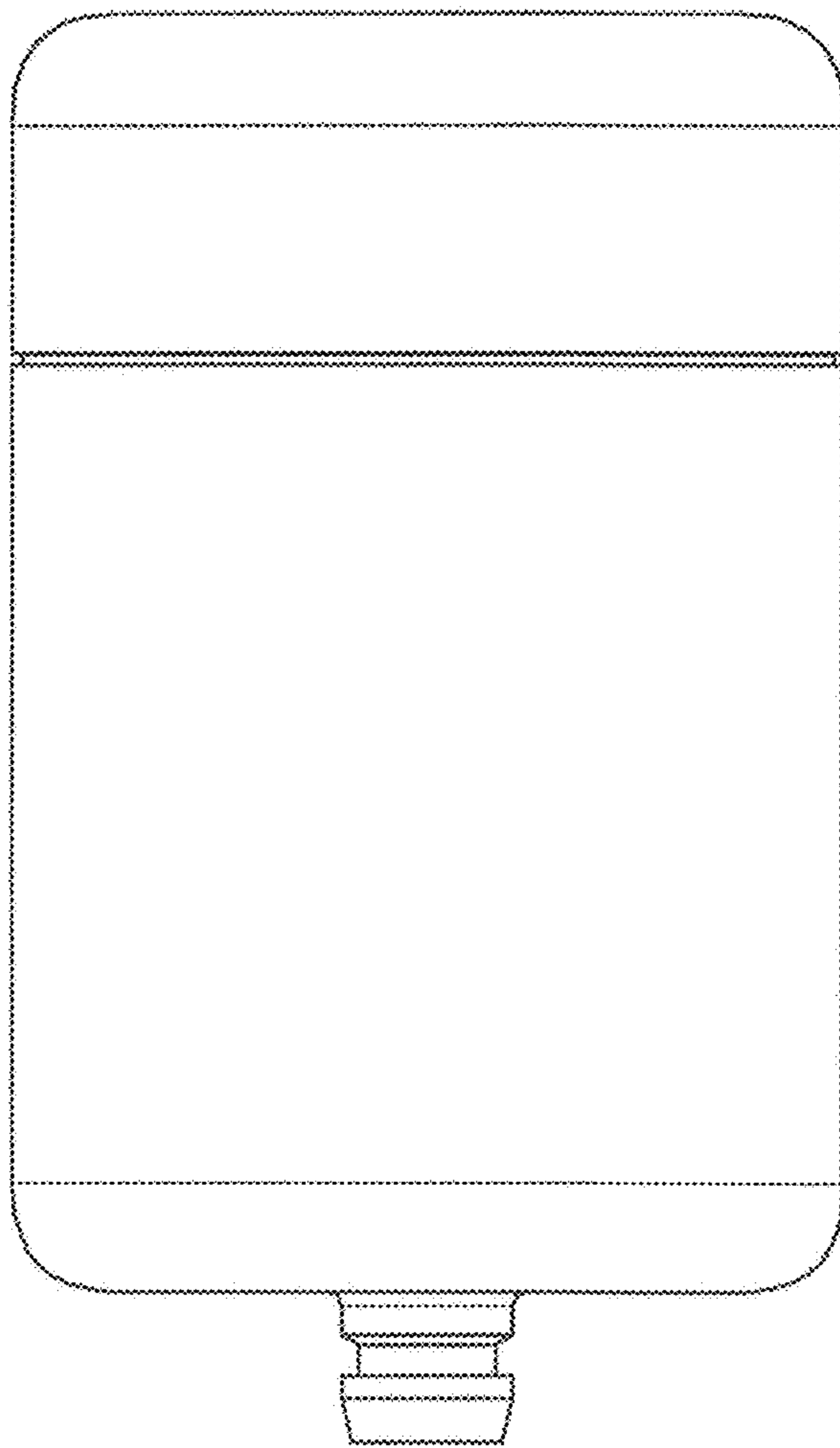


FIG. 4

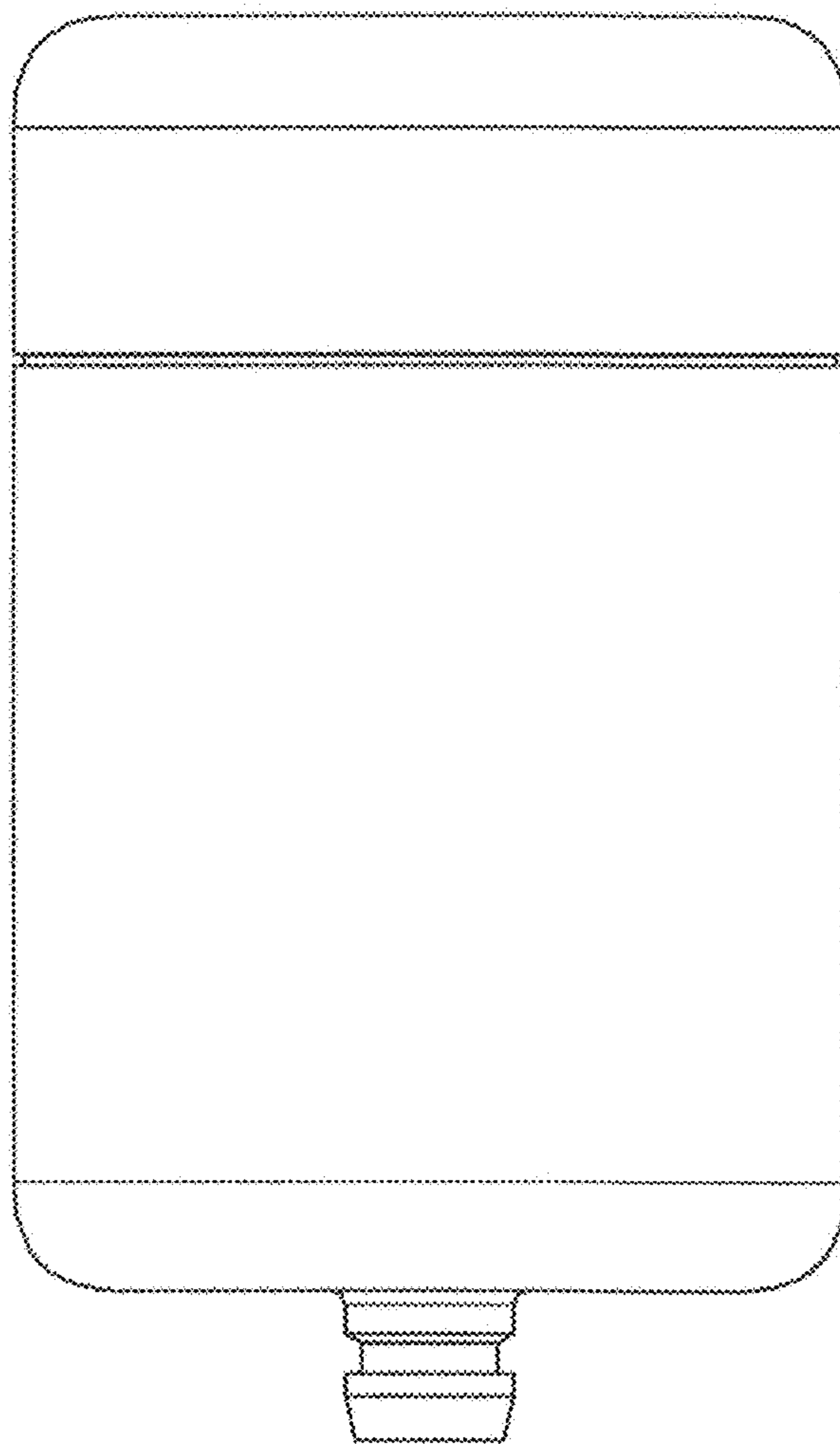


FIG. 5

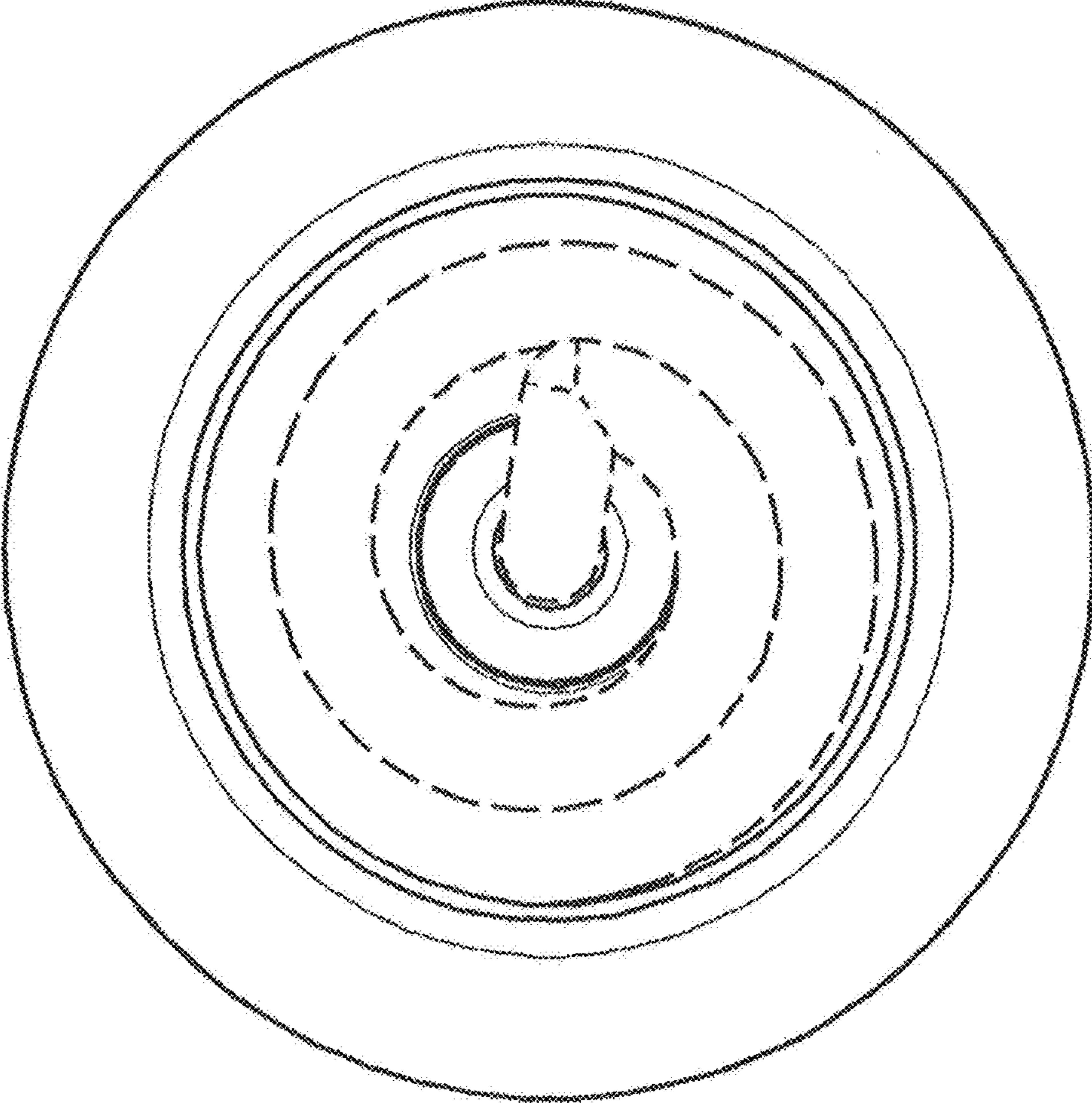


FIG. 6

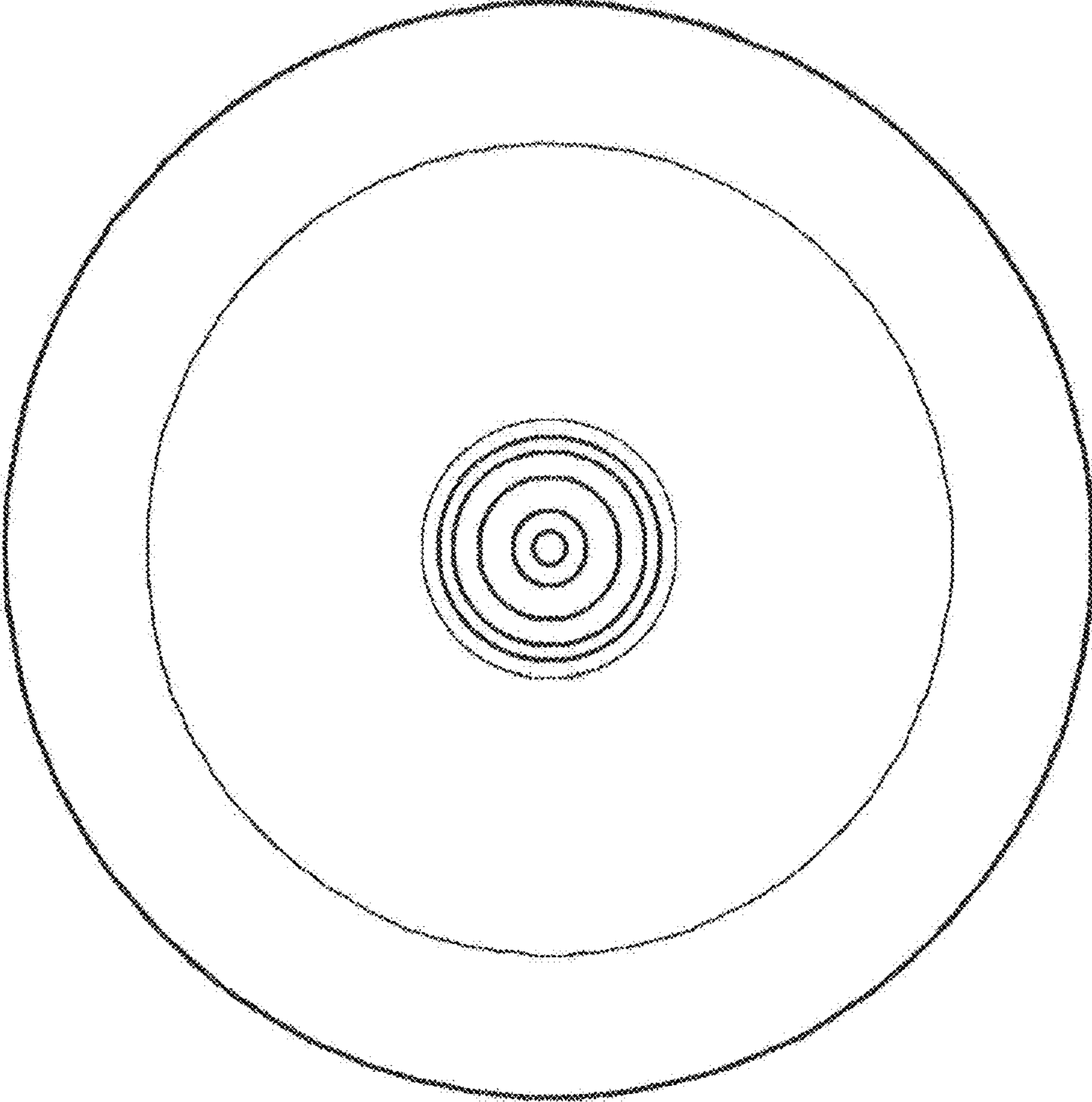


FIG. 7

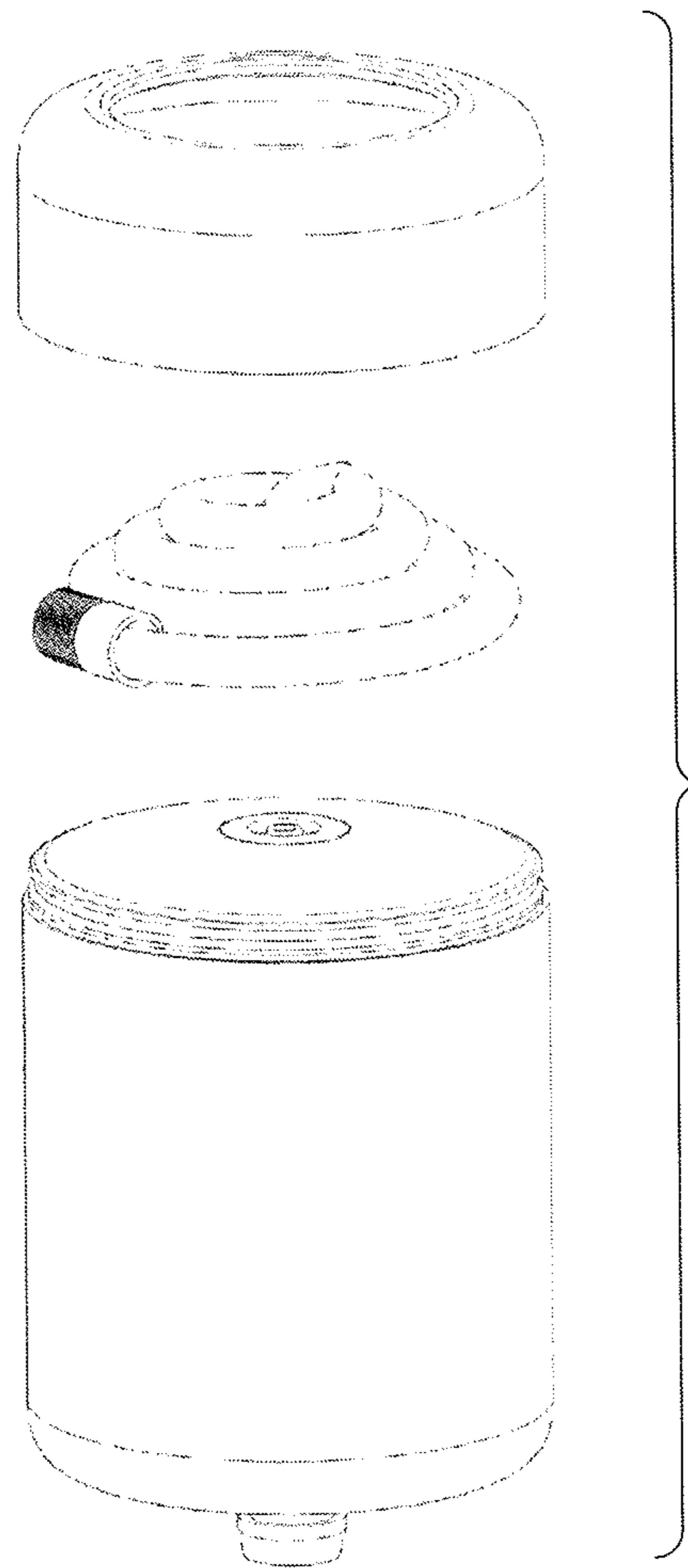


FIG. 8

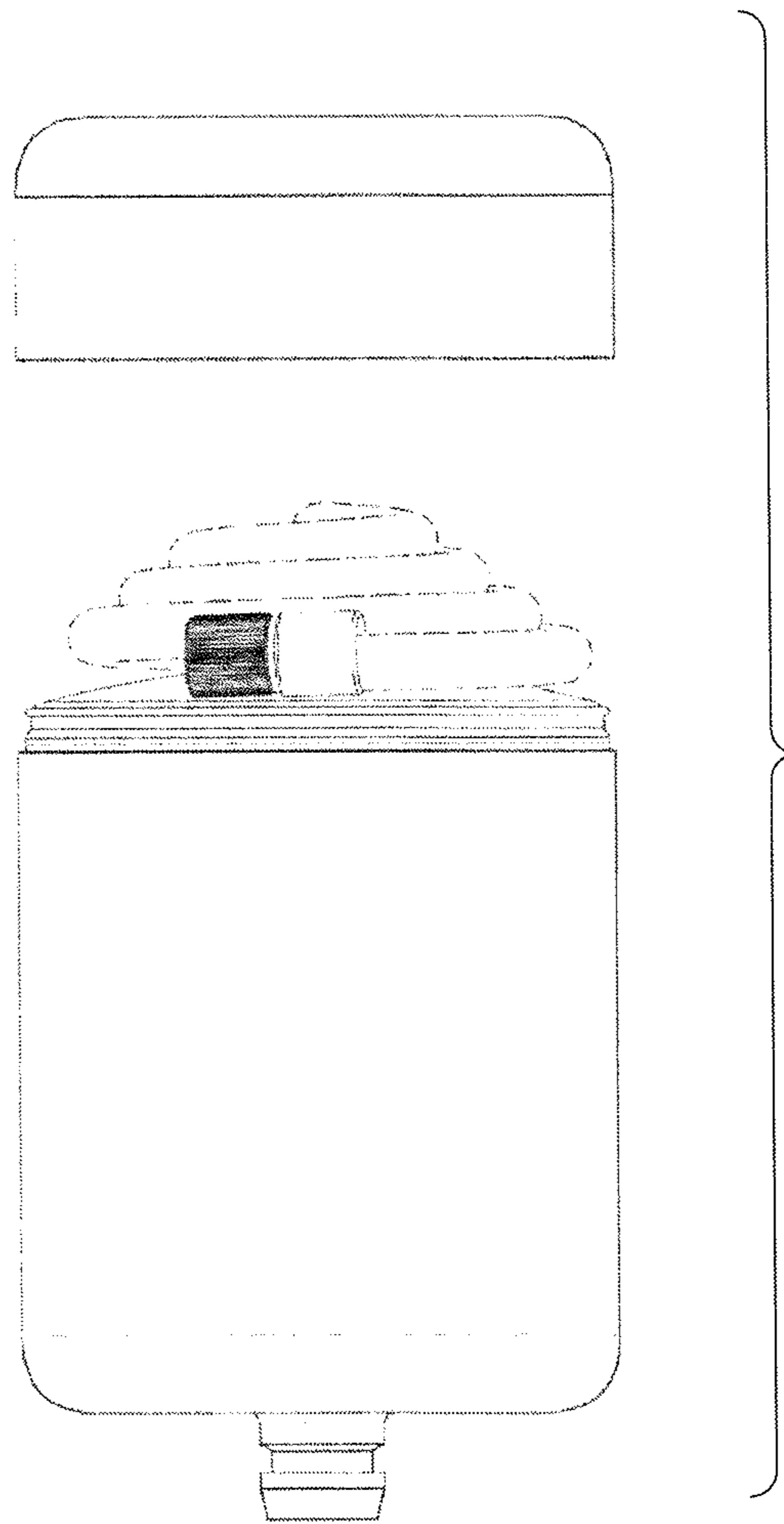


FIG. 9

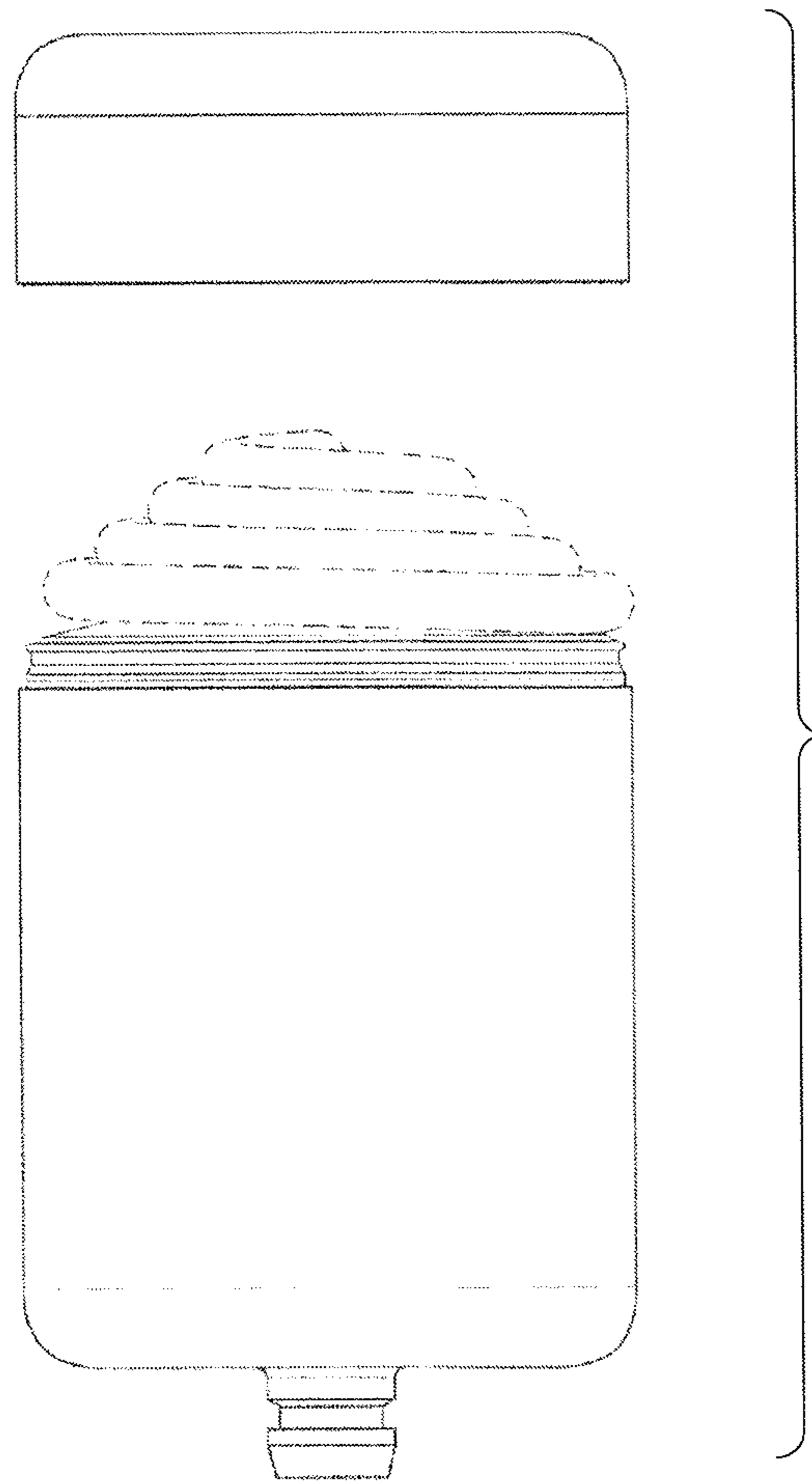


FIG. 10

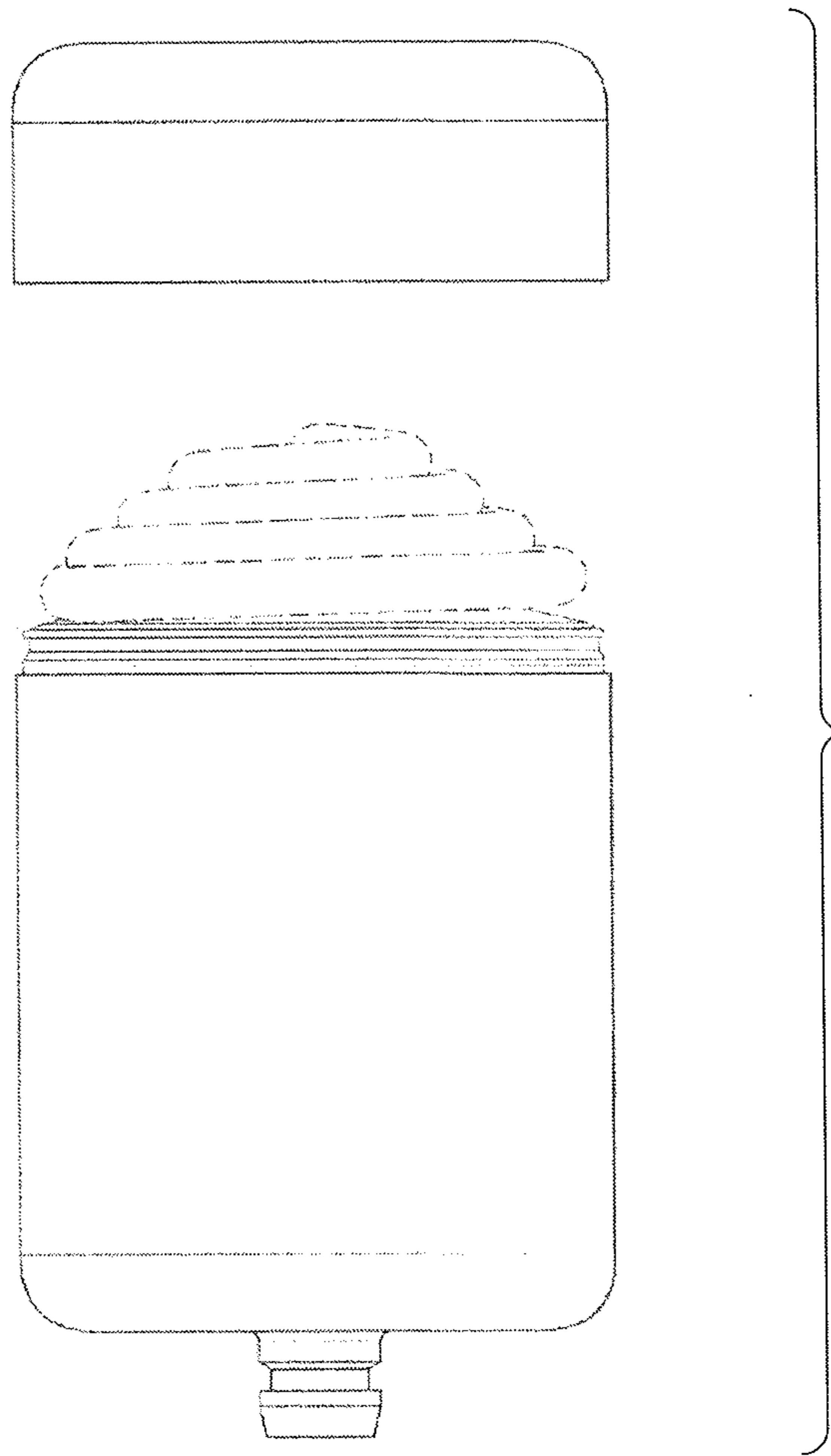


FIG. 11

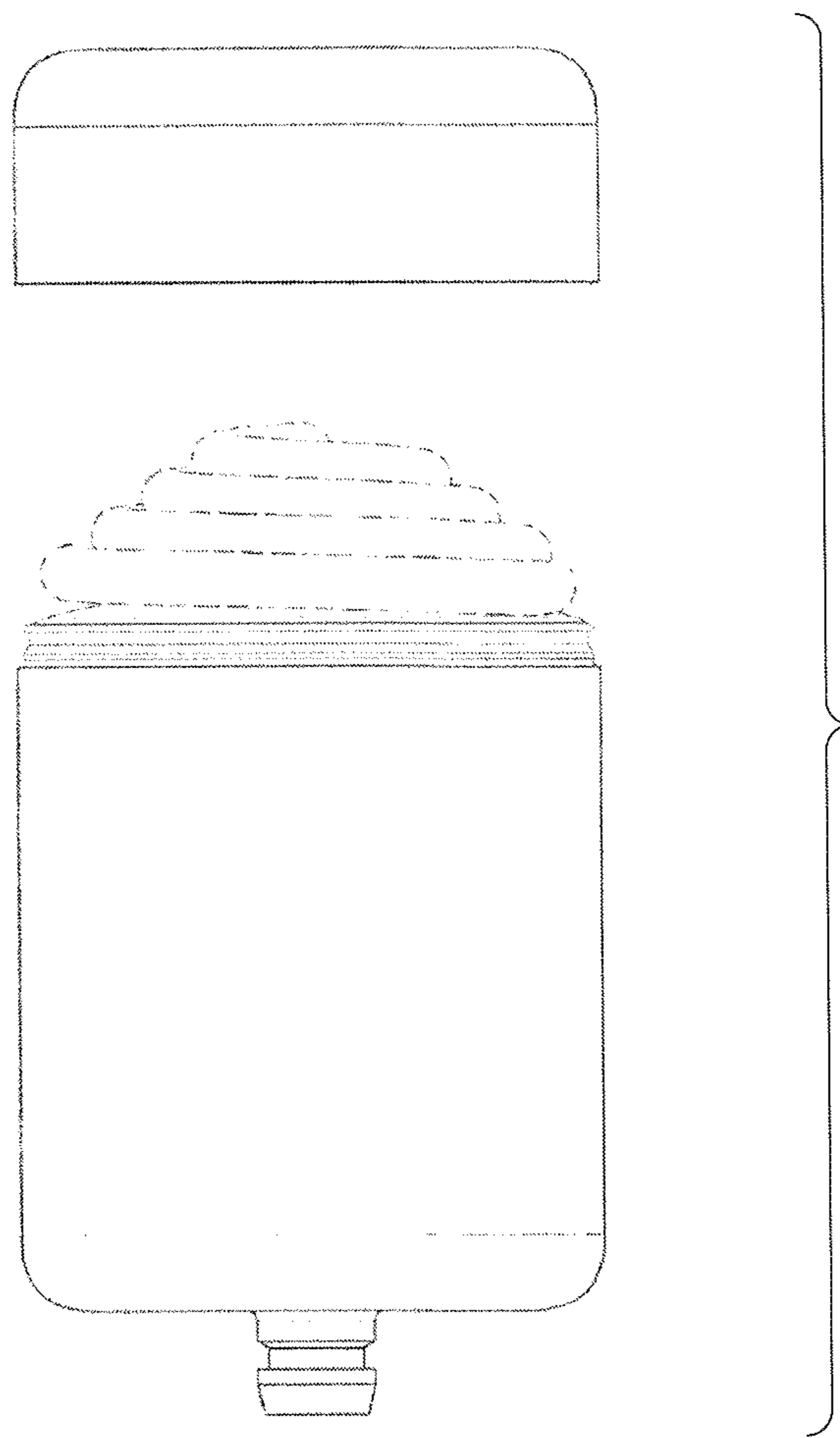


FIG. 12

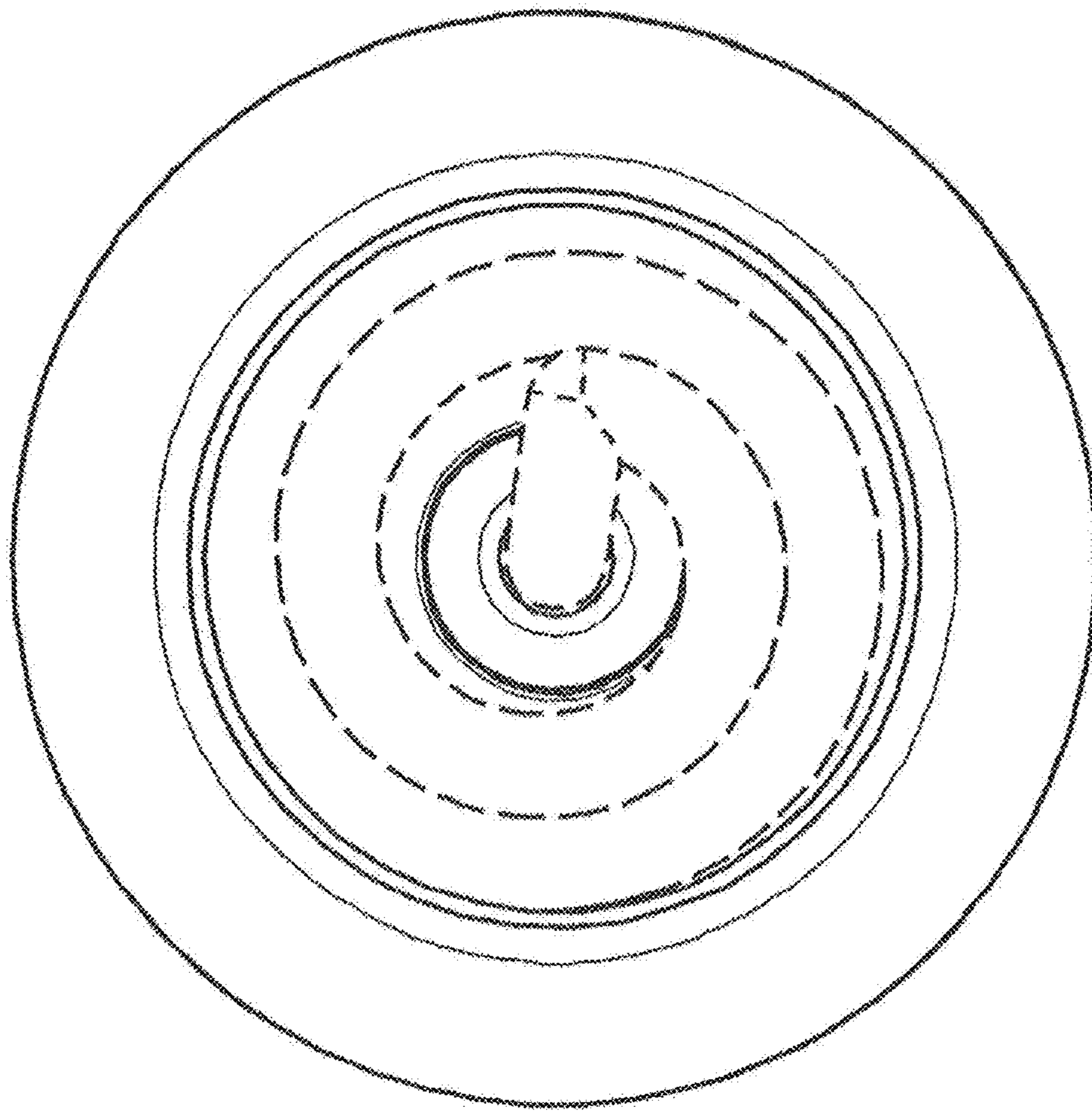


FIG. 13

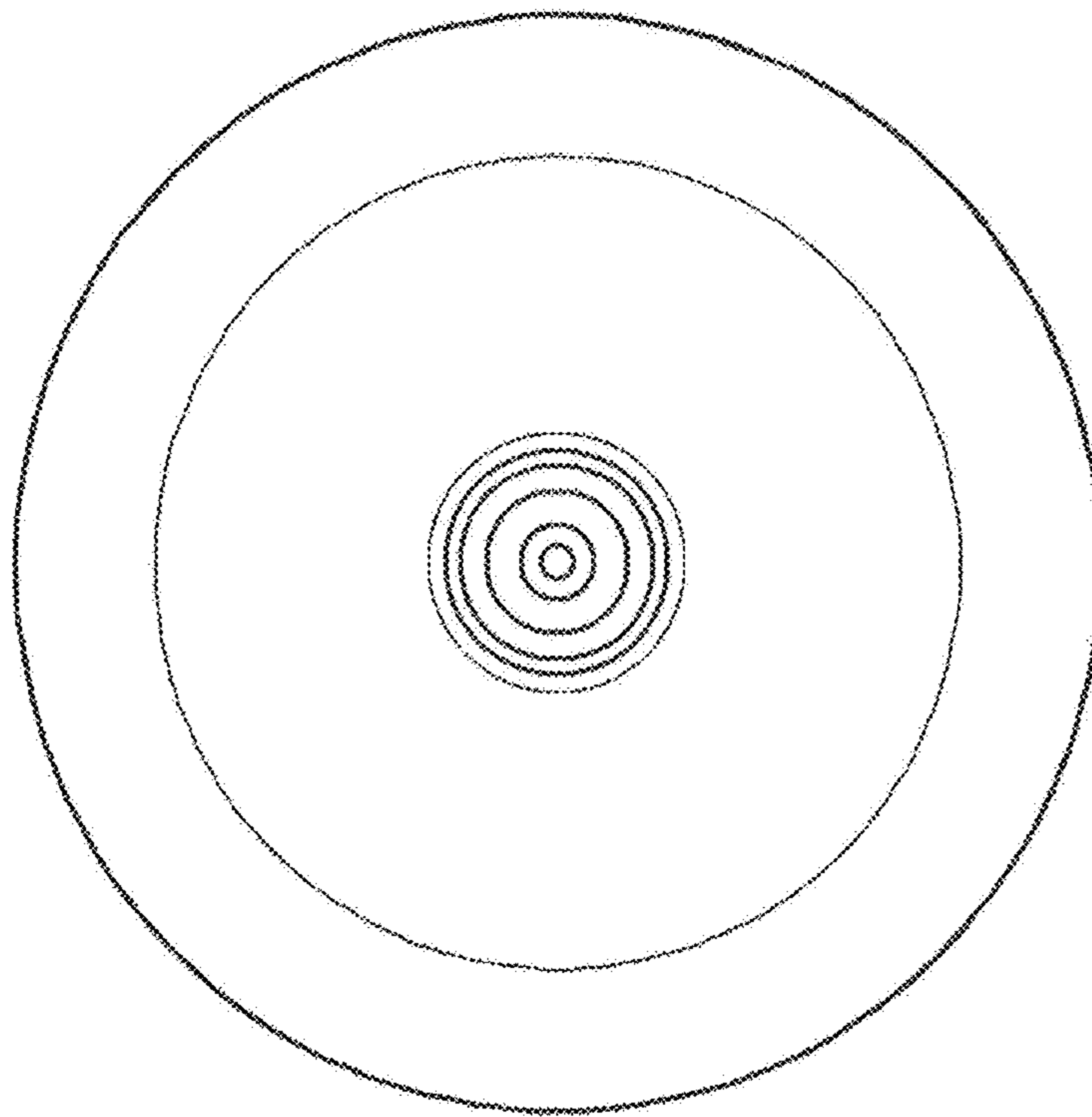


FIG. 14