



US00D811442S

(12) **United States Design Patent** (10) **Patent No.:** **US D811,442 S**
Vowels (45) **Date of Patent:** **** Feb. 27, 2018**

(54) **HOME-BREW PUMP**

D317,313 S * 6/1991 Yoshida D15/9
D603,870 S * 11/2009 Mehnert D15/7
D656,518 S * 3/2012 Varini D15/7

(71) Applicant: **Clayton J. Vowels**, Crystal Lake, IL
(US)

* cited by examiner

(72) Inventor: **Clayton J. Vowels**, Crystal Lake, IL
(US)

Primary Examiner — Ralf T Seifert

(74) *Attorney, Agent, or Firm* — Fraline J. Allgaier

(**) Term: **15 Years**

(57) **CLAIM**

The ornamental design for a home-brew pump, as shown and described.

(21) Appl. No.: **29/571,450**

DESCRIPTION

(22) Filed: **Jul. 18, 2016**

(51) **LOC (11) Cl.** **15-02**

(52) **U.S. Cl.**
USPC **D15/7**

(58) **Field of Classification Search**
USPC D15/7-9; D23/231, 232, 225; 417/60,
417/235, 265, 321, 355, 358, 363, 359,
417/410.1, 415-416, 405, 900, 269, 539;
60/408, 412; 184/26-37; 415/140-147;
123/495, 509; 137/565.34
CPC F02M 37/04; F02M 37/14; F04B 53/92;
F04B 1/005
See application file for complete search history.

FIG. 1 is a perspective view of the home-brew pump.
FIG. 2 is a left side view thereof.
FIG. 3 is a right side view thereof.
FIG. 4 is a front view thereof.
FIG. 5 is a bottom view thereof.
FIG. 6 is a top view thereof.
FIG. 7 is a bottom view thereof.
FIG. 8 is a top view of the home-brew pump showing the rotor housing being opened.
FIG. 9 is a top view of the home-brew pump showing the rotor housing being opened.
FIG. 10 is a front view of the home-brew pump showing the rotor being removed from the rotor housing.
FIG. 11 is a back view of the home-brew pump showing the rotor being removed from the rotor housing.
FIG. 12 is a top view of the home-brew pump showing the rotor housing being opened and the rotor being removed from the rotor housing; and,
FIG. 13 is a bottom view of the home-brew pump showing the rotor housing being opened and the rotor being removed from the rotor housing.
The broken lines are included for the purpose of illustrating portions of the home-brew pump that form no part of the claimed design.

(56) **References Cited**

U.S. PATENT DOCUMENTS

2,599,600 A * 6/1952 Arnold B27M 1/08
418/154
D208,509 S * 9/1967 George D15/7
D221,258 S * 7/1971 Saddler D15/7
D223,686 S * 5/1972 Sadler et al. D15/7
D243,281 S * 2/1977 Pareja D15/7
D263,839 S * 4/1982 Somme D15/7
D295,046 S * 4/1988 Odell D15/7
D305,124 S * 12/1989 Singhoff D15/7
D315,912 S * 4/1991 Nishida D15/7

1 Claim, 13 Drawing Sheets

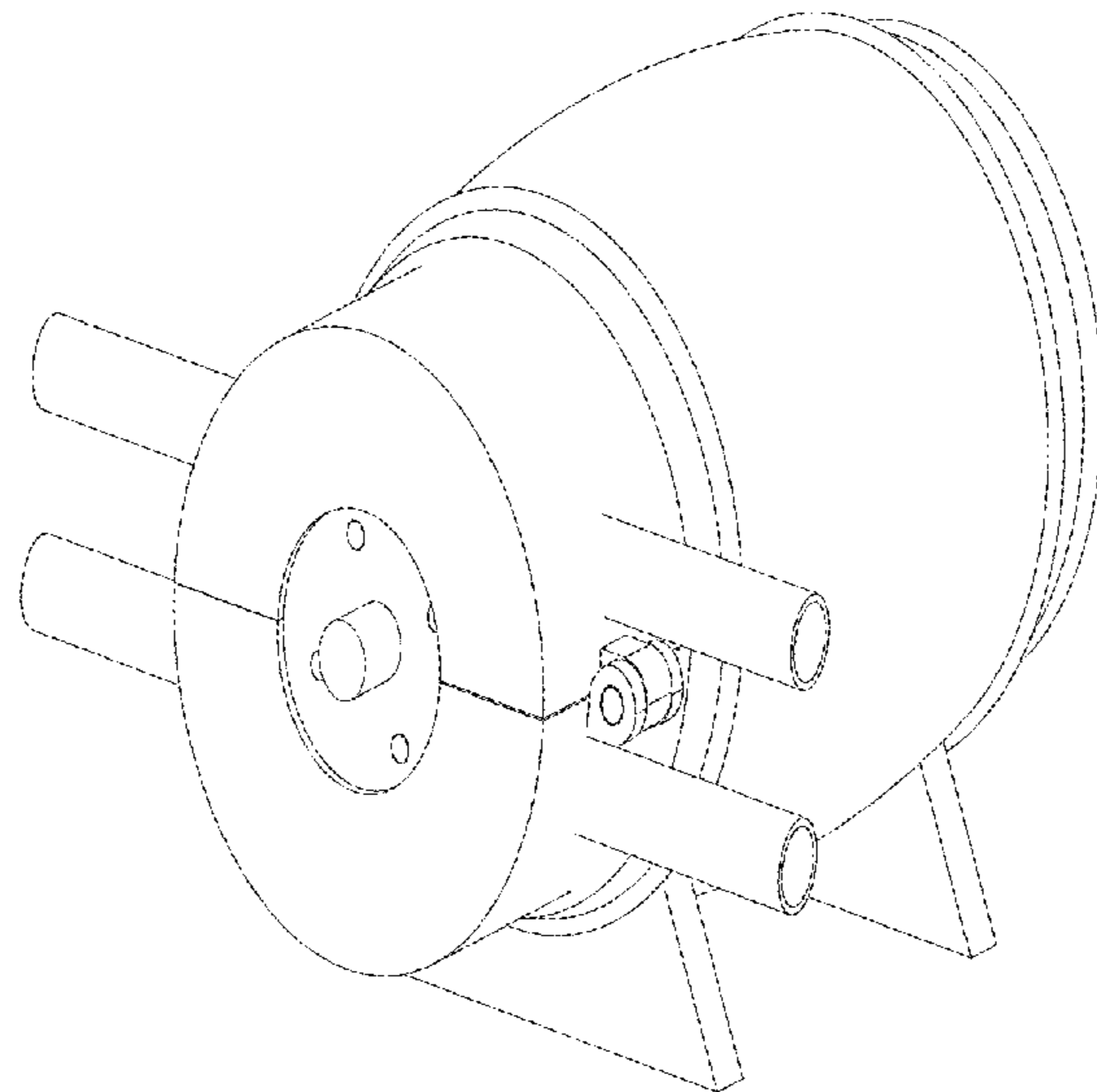


FIG. 1

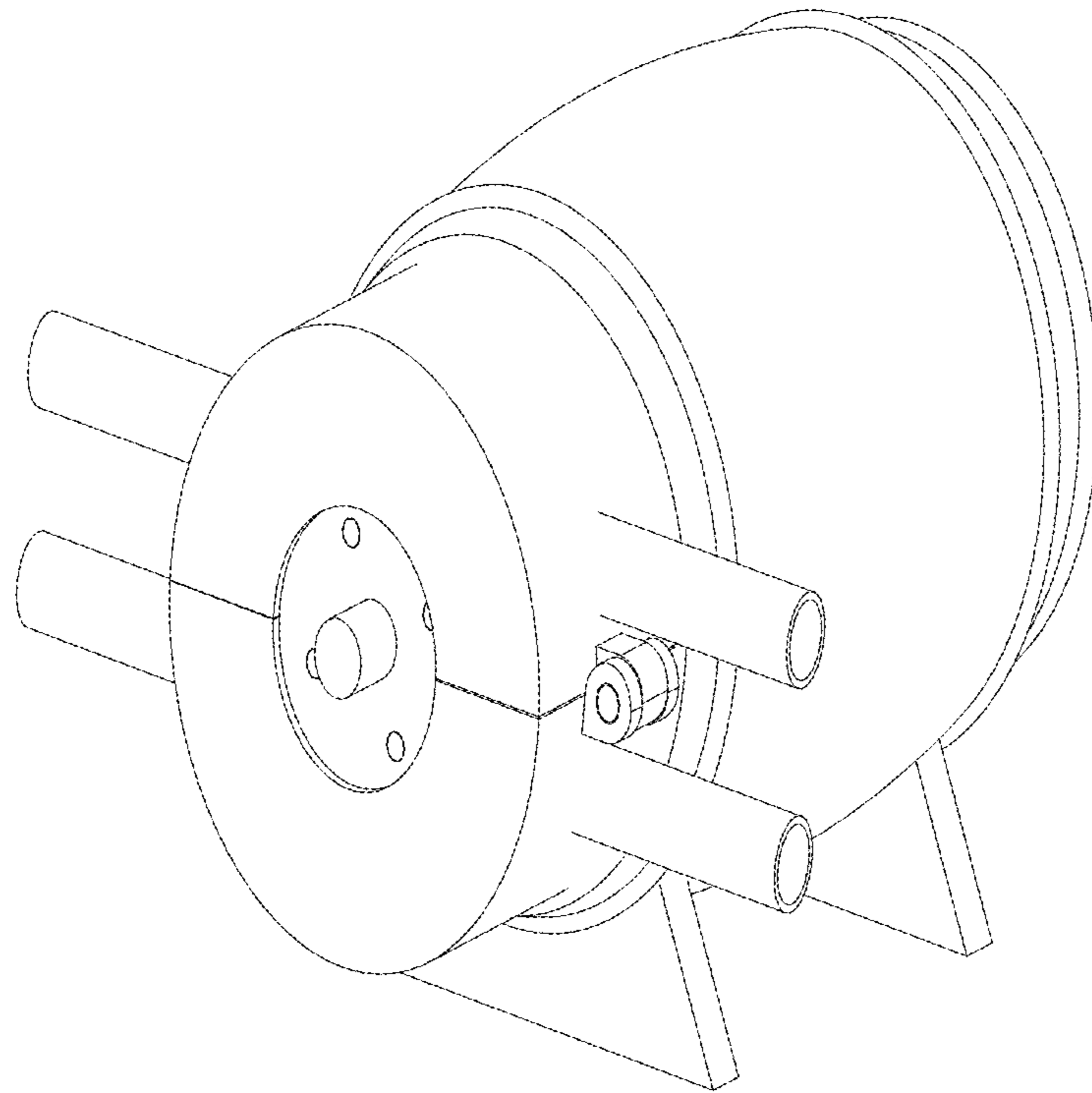


FIG. 2

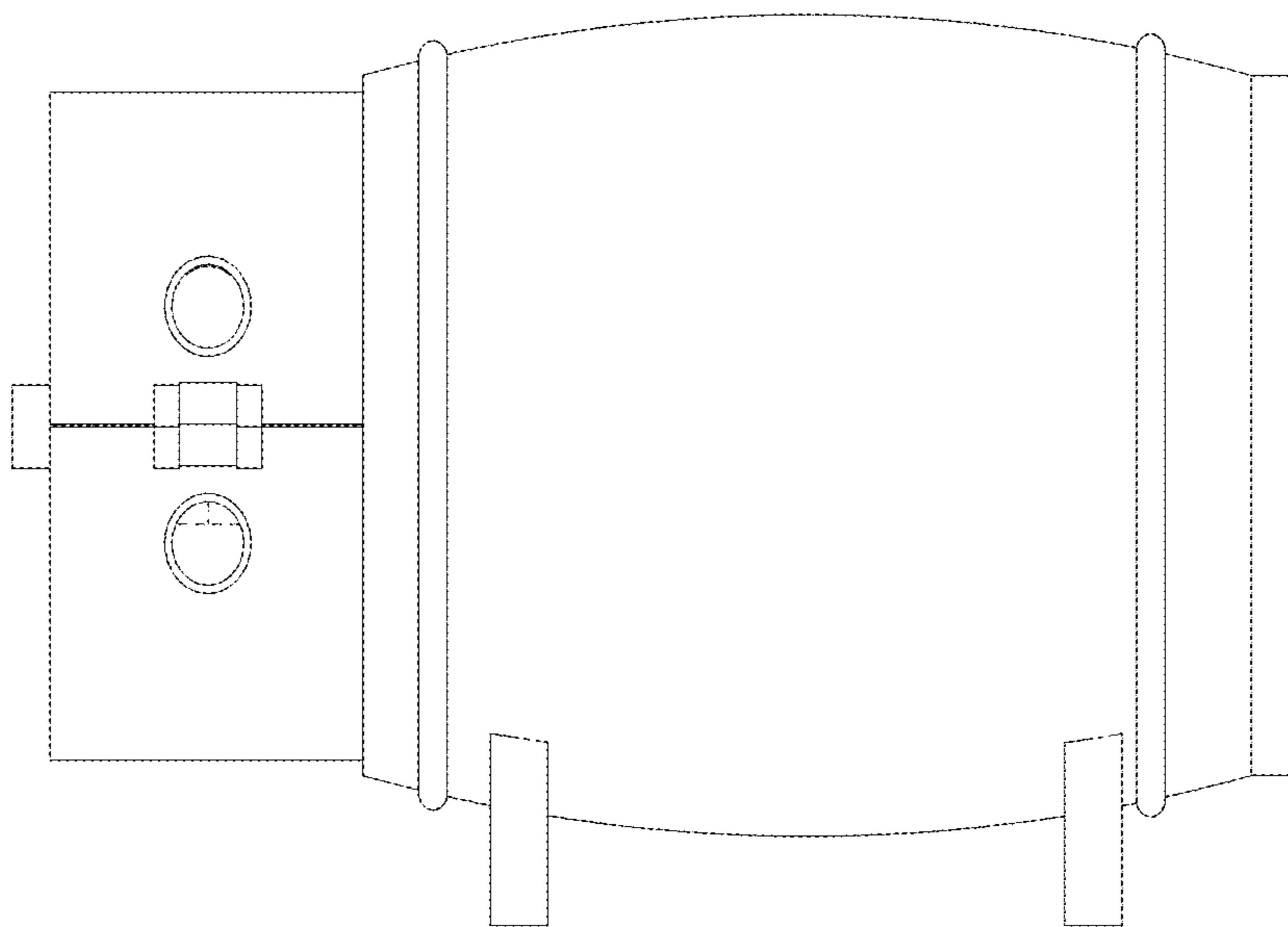


FIG. 3

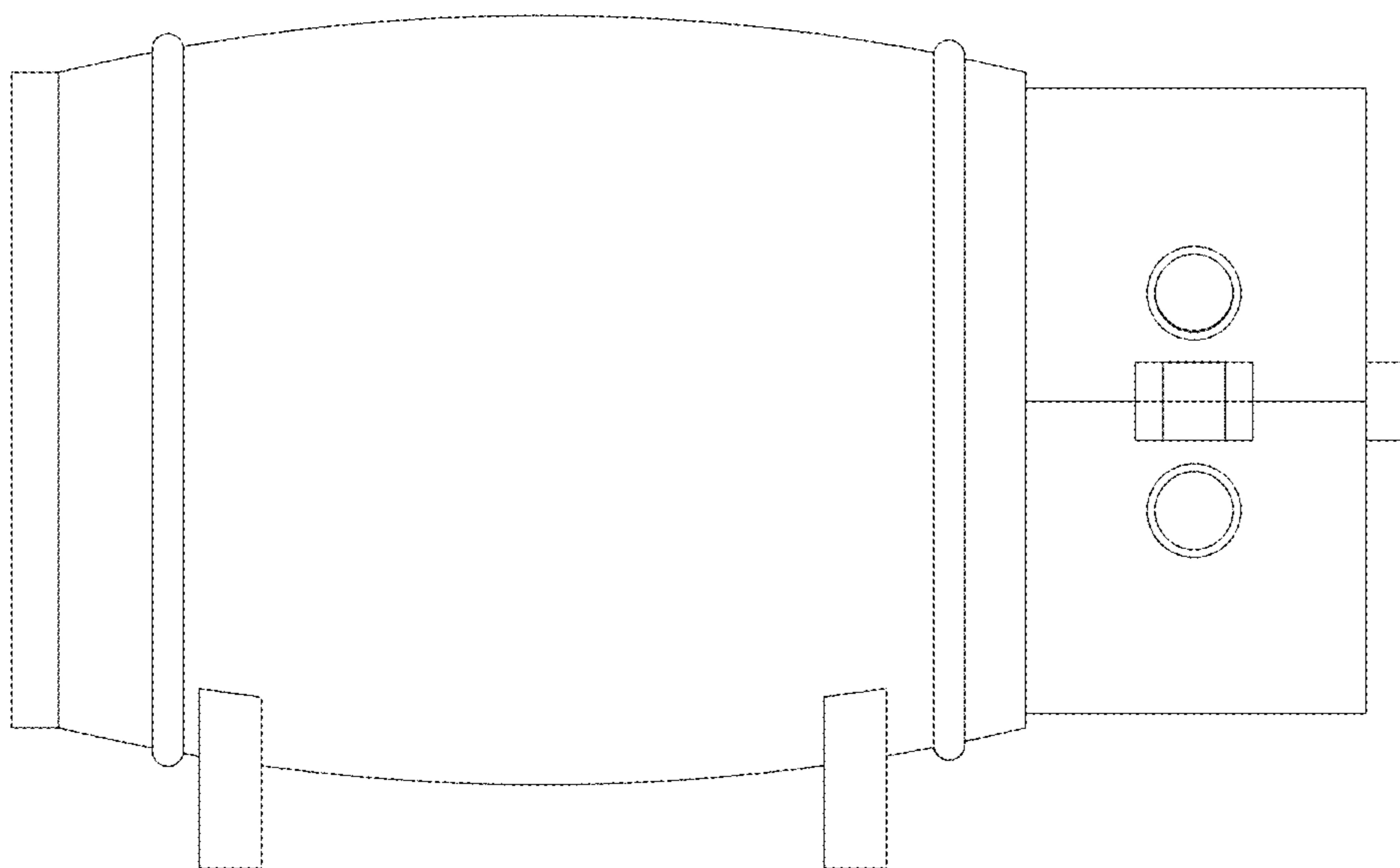


FIG. 4

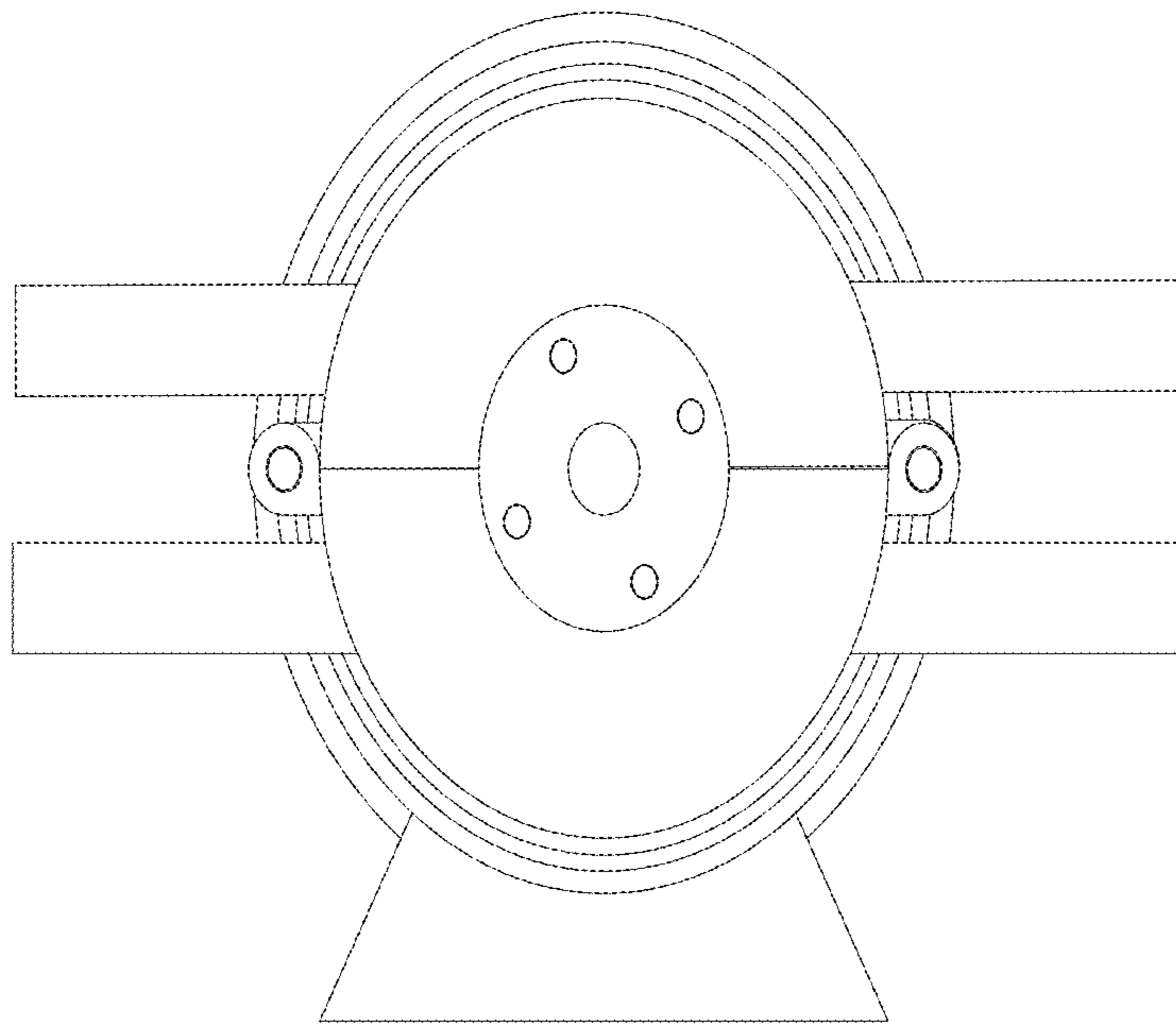


FIG. 5

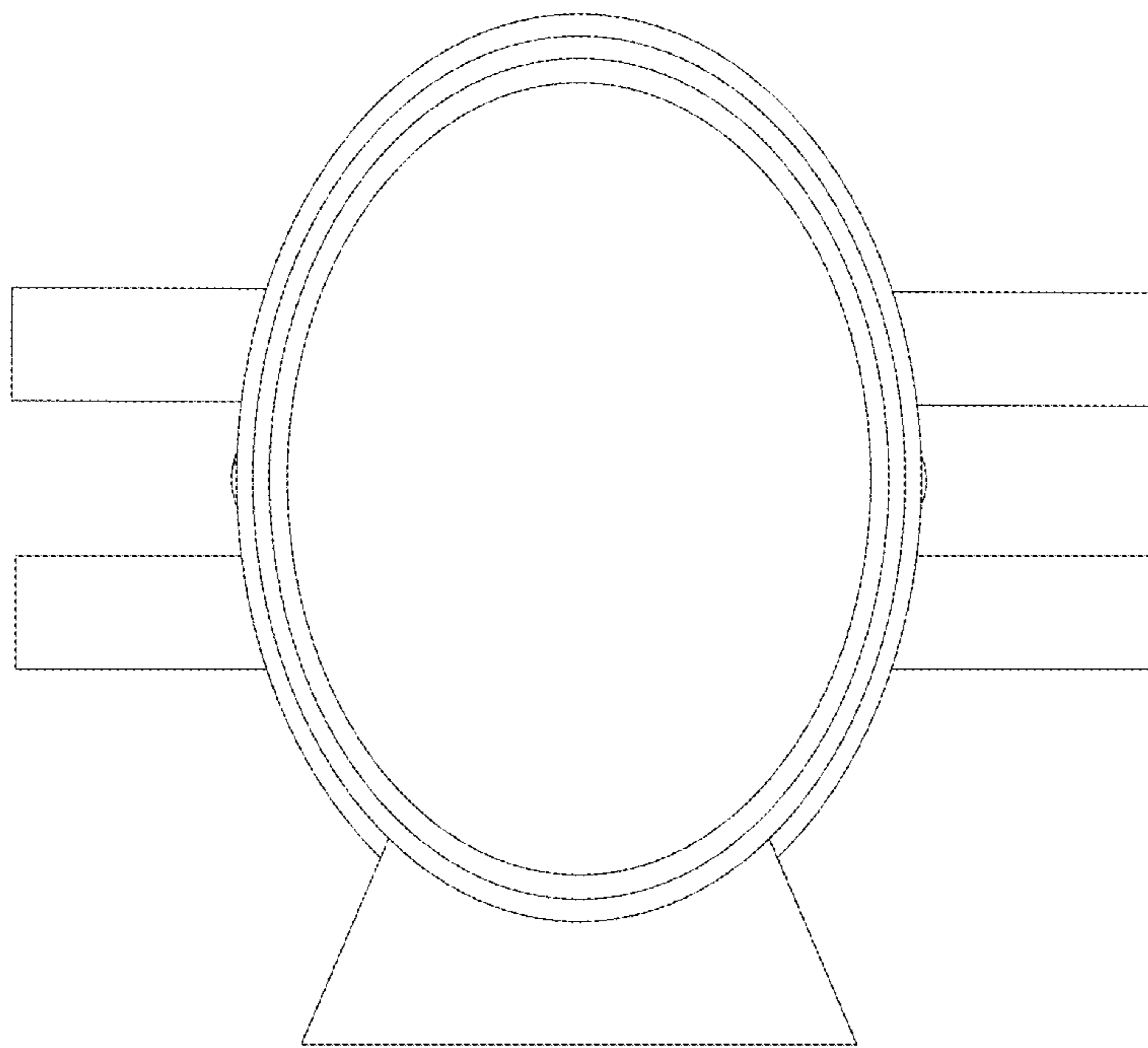


FIG. 6

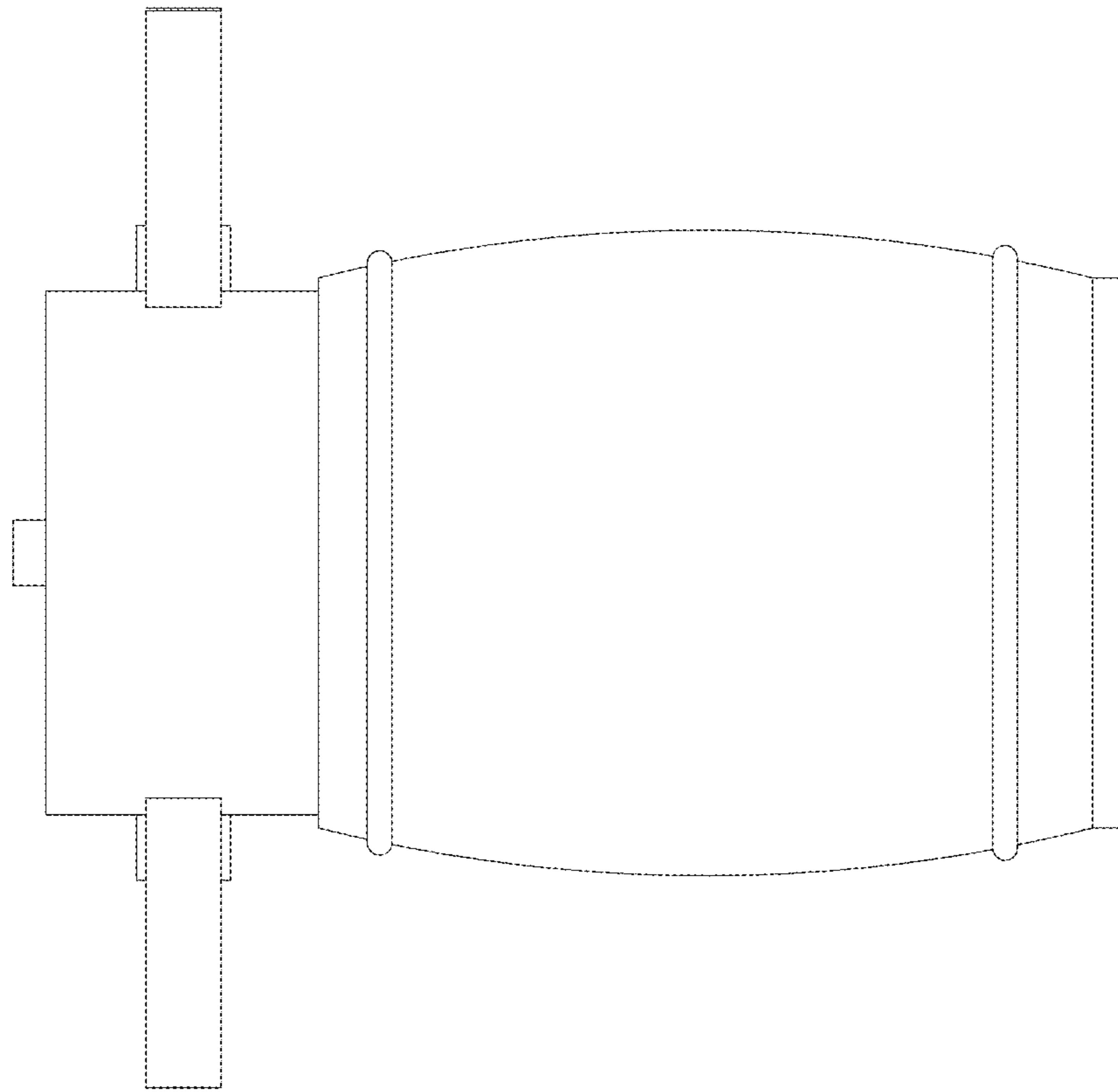


FIG. 7

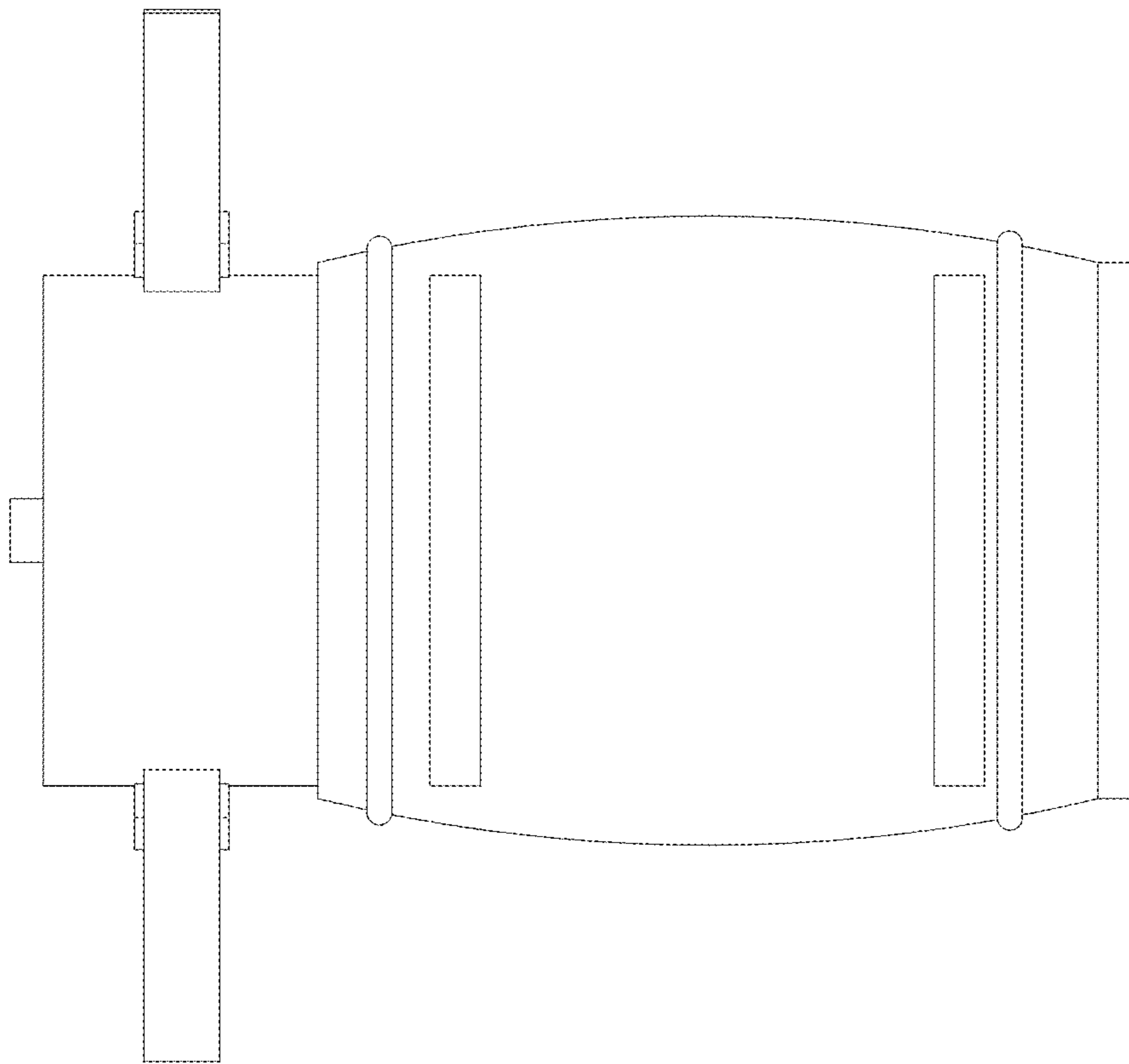


FIG. 8

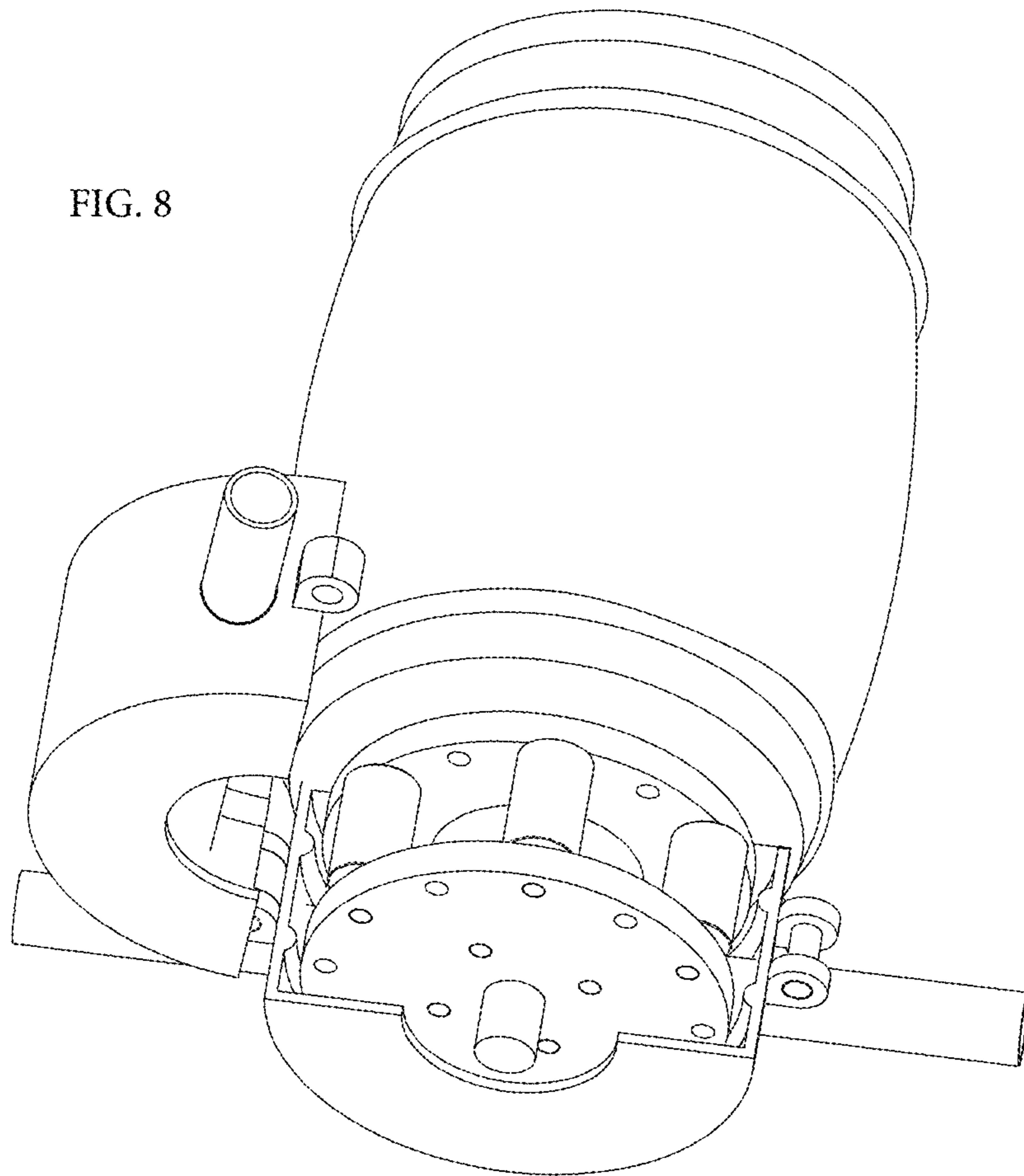


FIG. 9

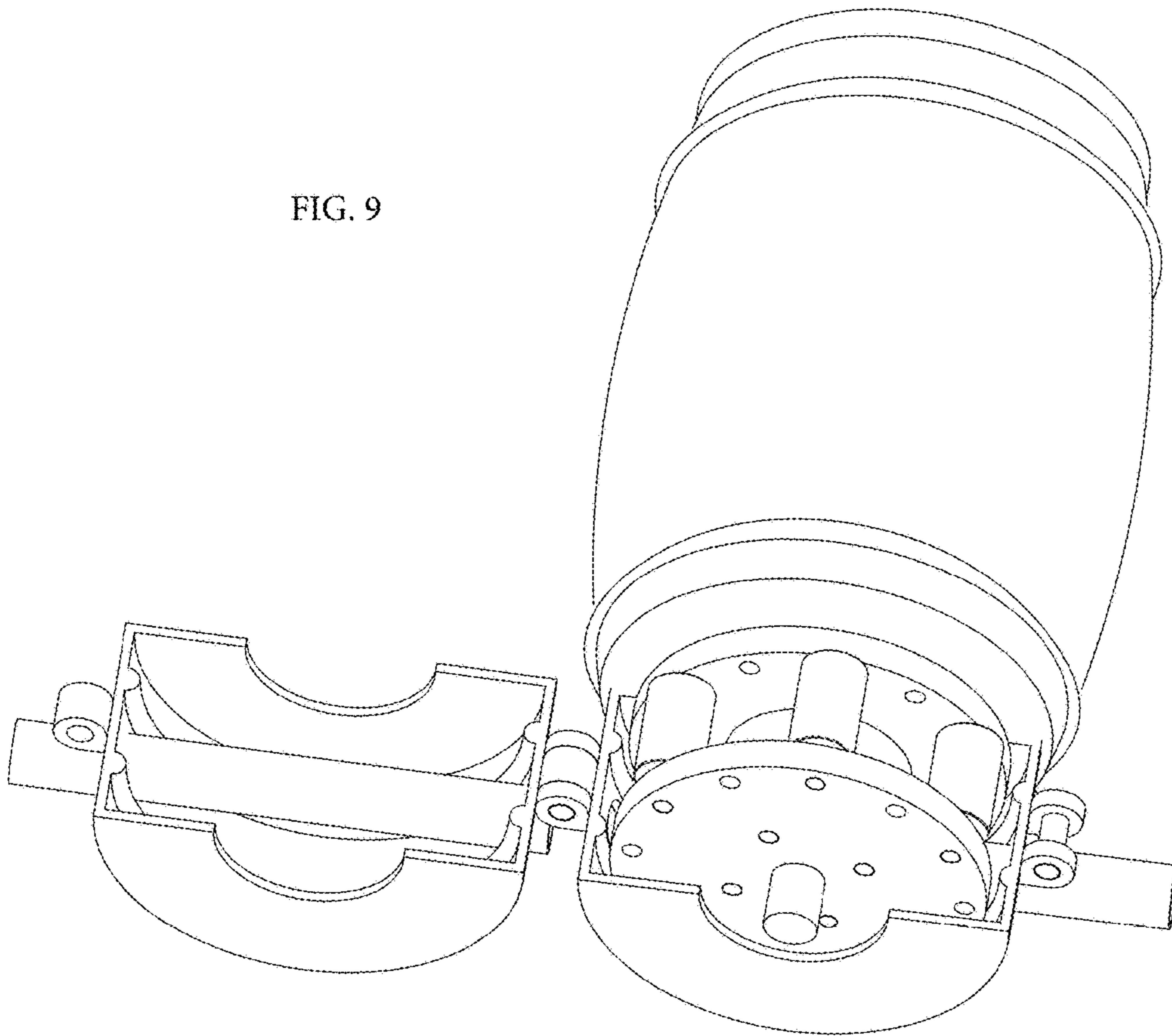


FIG. 10

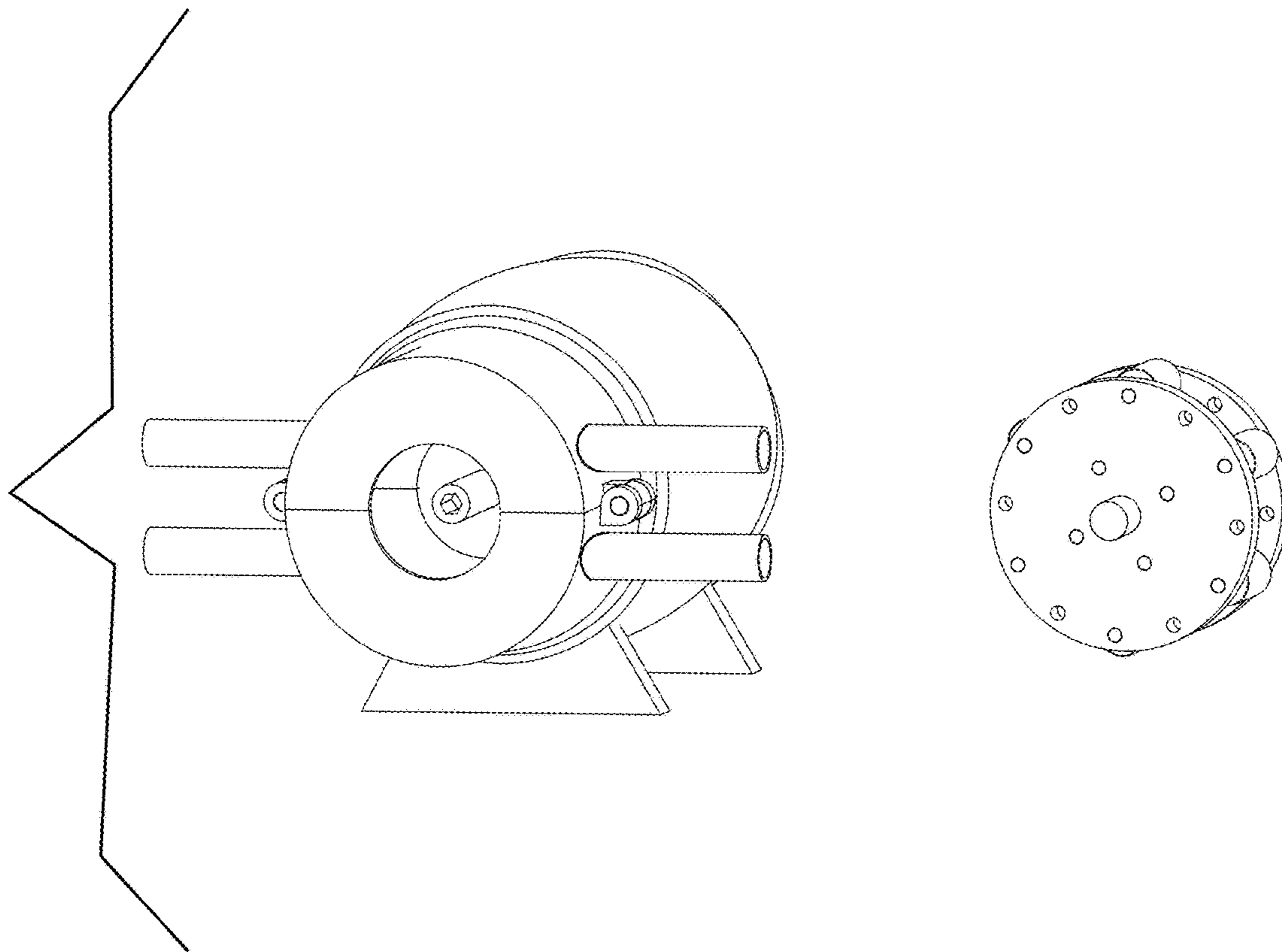


FIG. 11

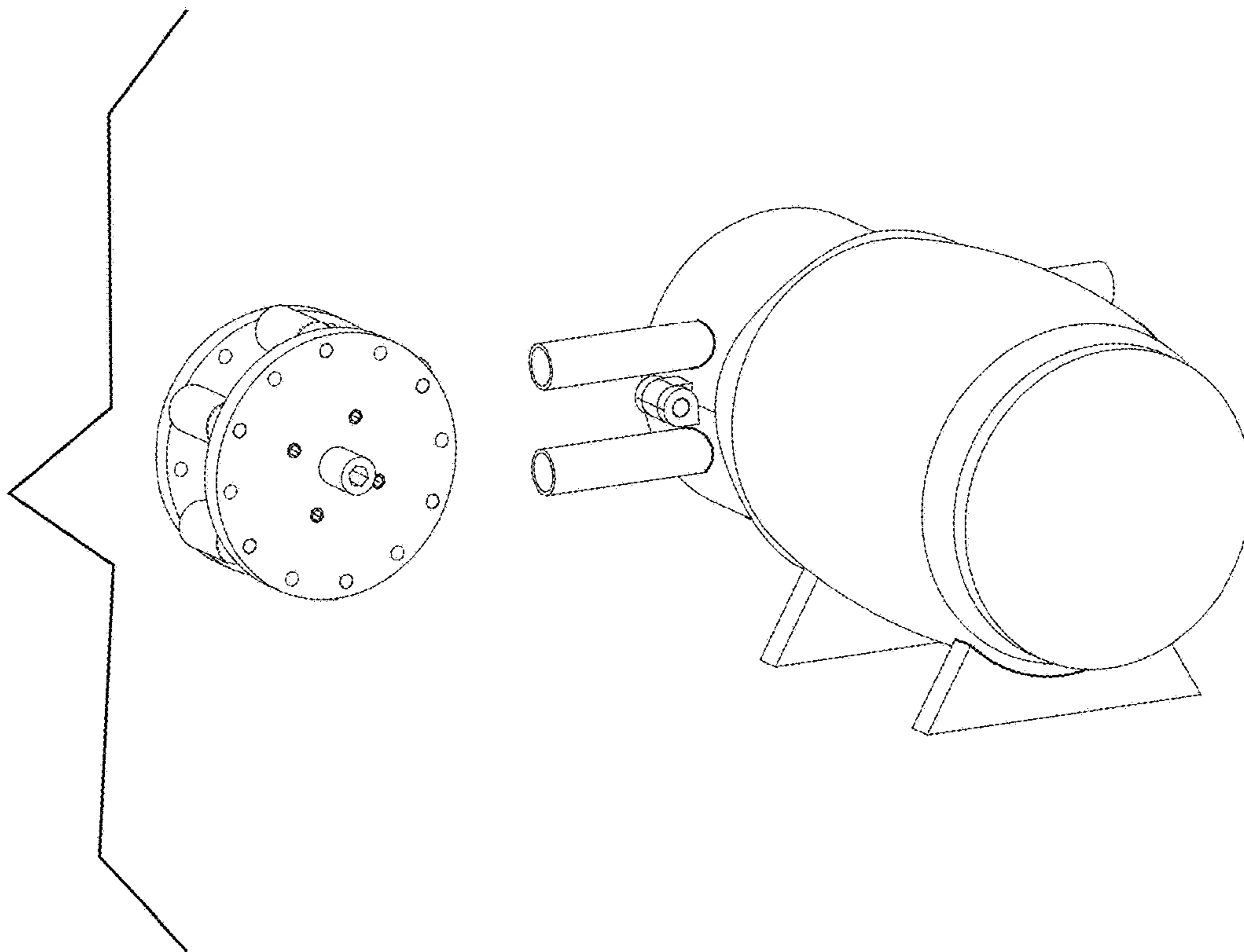


FIG. 12

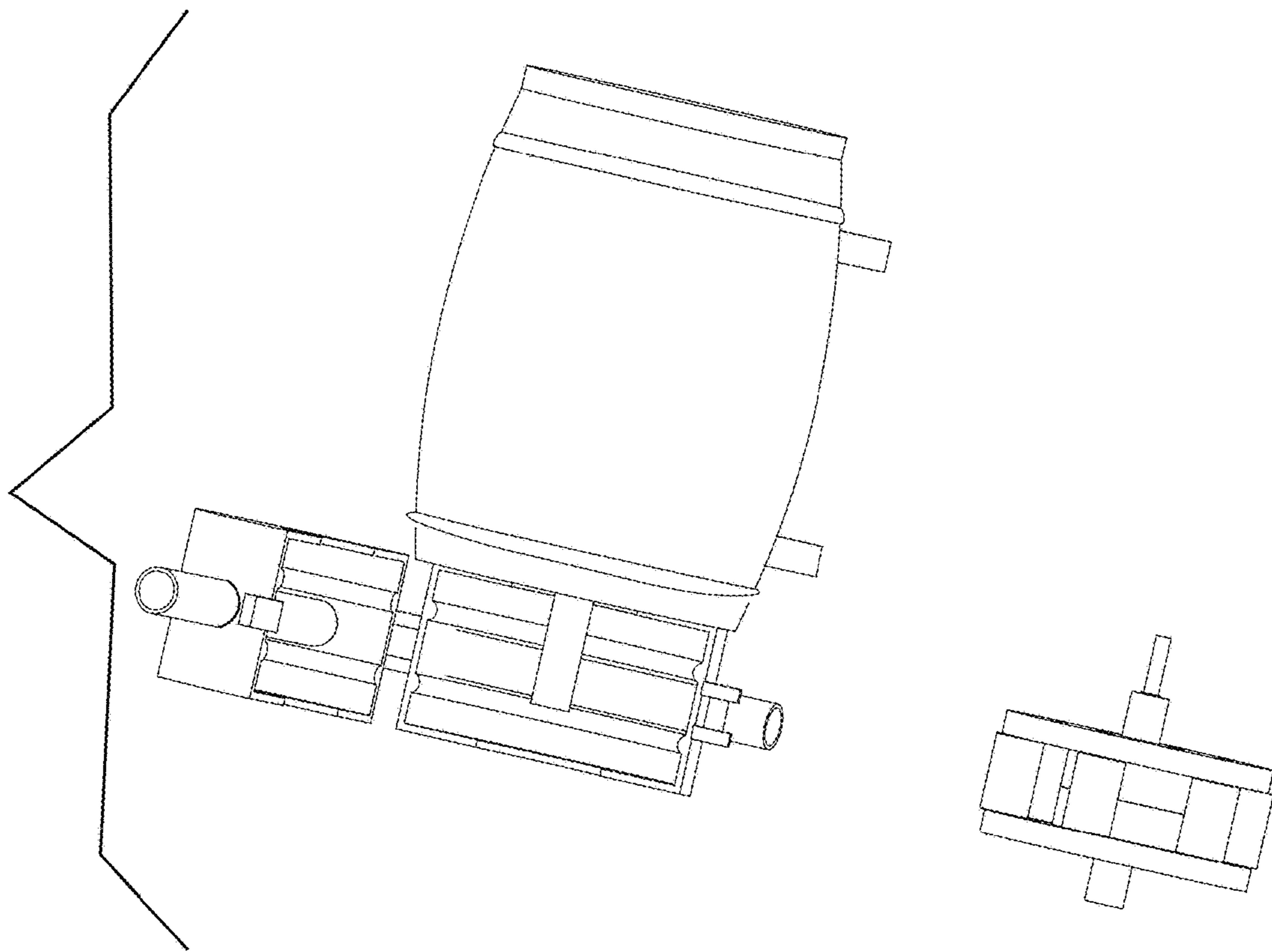


FIG. 13

