



US00D811441S

(12) **United States Design Patent** (10) **Patent No.:** **US D811,441 S**  
**Fox** (45) **Date of Patent:** **\*\* Feb. 27, 2018**

(54) **EXTERNALLY MOUNTED PLENUM FOR LIMITED SLIP DIFFERENTIAL**

(71) Applicant: **Eaton Corporation**, Cleveland, OH (US)

(72) Inventor: **Matthew G. Fox**, Ceresco, MI (US)

(73) Assignee: **Eaton Corporation**, Cleveland, OH (US)

(\*\*) Term: **15 Years**

(21) Appl. No.: **29/597,362**

(22) Filed: **Mar. 16, 2017**

**Related U.S. Application Data**

(63) Continuation of application No. 29/467,566, filed on Sep. 20, 2013, now Pat. No. Des. 783,684, which is a continuation-in-part of application No. 29/467,131, filed on Sep. 16, 2013, now Pat. No. Des. 741,916.

(51) **LOC (11) Cl.** ..... **15-01**

(52) **U.S. Cl.**  
USPC ..... **D15/5**

(58) **Field of Classification Search**  
USPC ..... D15/5, 148, 149, 199; D12/160, 159; 475/226, 220, 149, 150, 151, 152, 153, 475/154, 249, 248, 231; 192/70.11; 180/305

See application file for complete search history.

(56) **References Cited**

**U.S. PATENT DOCUMENTS**

5,839,327 A 11/1998 Gage  
6,109,615 A 8/2000 Gildea et al.  
6,688,851 B2 2/2004 Phelan et al.  
6,692,396 B1 2/2004 Grogg et al.  
6,733,411 B1 5/2004 Kaplan et al.

7,318,511 B2 1/2008 Grogg  
7,341,136 B2 3/2008 Park  
7,361,114 B2 4/2008 Boddy  
8,021,259 B2 9/2011 Hilker et al.  
8,376,907 B2\* 2/2013 Poulin ..... B60T 1/062  
477/35

8,764,601 B2 7/2014 Martin  
8,870,702 B2 10/2014 Kii et al.  
2010/0093478 A1 4/2010 Guttenberger et al.  
2014/0011619 A1 1/2014 Pohl et al.

(Continued)

*Primary Examiner* — T. Chase Nelson

*Assistant Examiner* — Ania Aman

(74) *Attorney, Agent, or Firm* — RMCK Law Group PLC

(57) **CLAIM**

The ornamental design for an externally mounted plenum for limited slip differential, as shown and described.

**DESCRIPTION**

FIG. 1 is a front perspective view of an externally mounted plenum for limited slip differential showing the new design. FIG. 2 is a first side view of the externally mounted plenum for limited slip differential of FIG. 1.

FIG. 3 is a second side view of the externally mounted plenum for limited slip differential of FIG. 1.

FIG. 4 is a front view of the externally mounted plenum for limited slip differential of FIG. 1.

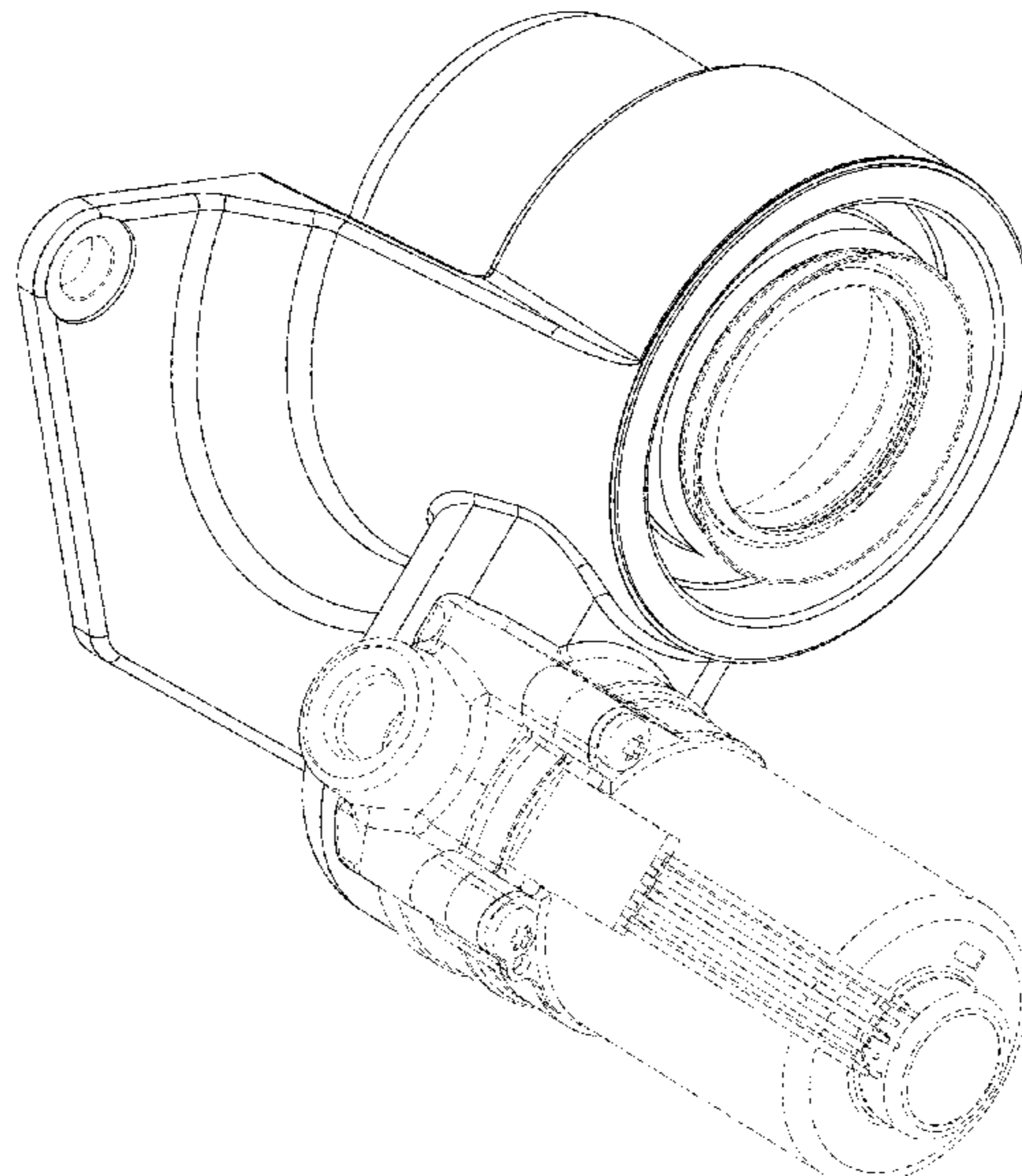
FIG. 5 is a top view of the externally mounted plenum for limited slip differential of FIG. 1.

FIG. 6 is a bottom view of the externally mounted plenum for limited slip differential of FIG. 1; and,

FIG. 7 is a rear view of the externally mounted plenum for limited slip differential of FIG. 1.

The broken line showing portions of the externally mounted plenum for limited slip differential form no part of the claimed design.

**1 Claim, 7 Drawing Sheets**



(56)

**References Cited**

U.S. PATENT DOCUMENTS

2014/0179484 A1\* 6/2014 Fox ..... F16H 48/32  
475/231  
2015/0119181 A1\* 4/2015 Fox ..... B60K 1/00  
475/150  
2017/0045127 A1\* 2/2017 Fisher ..... F16H 48/32

\* cited by examiner

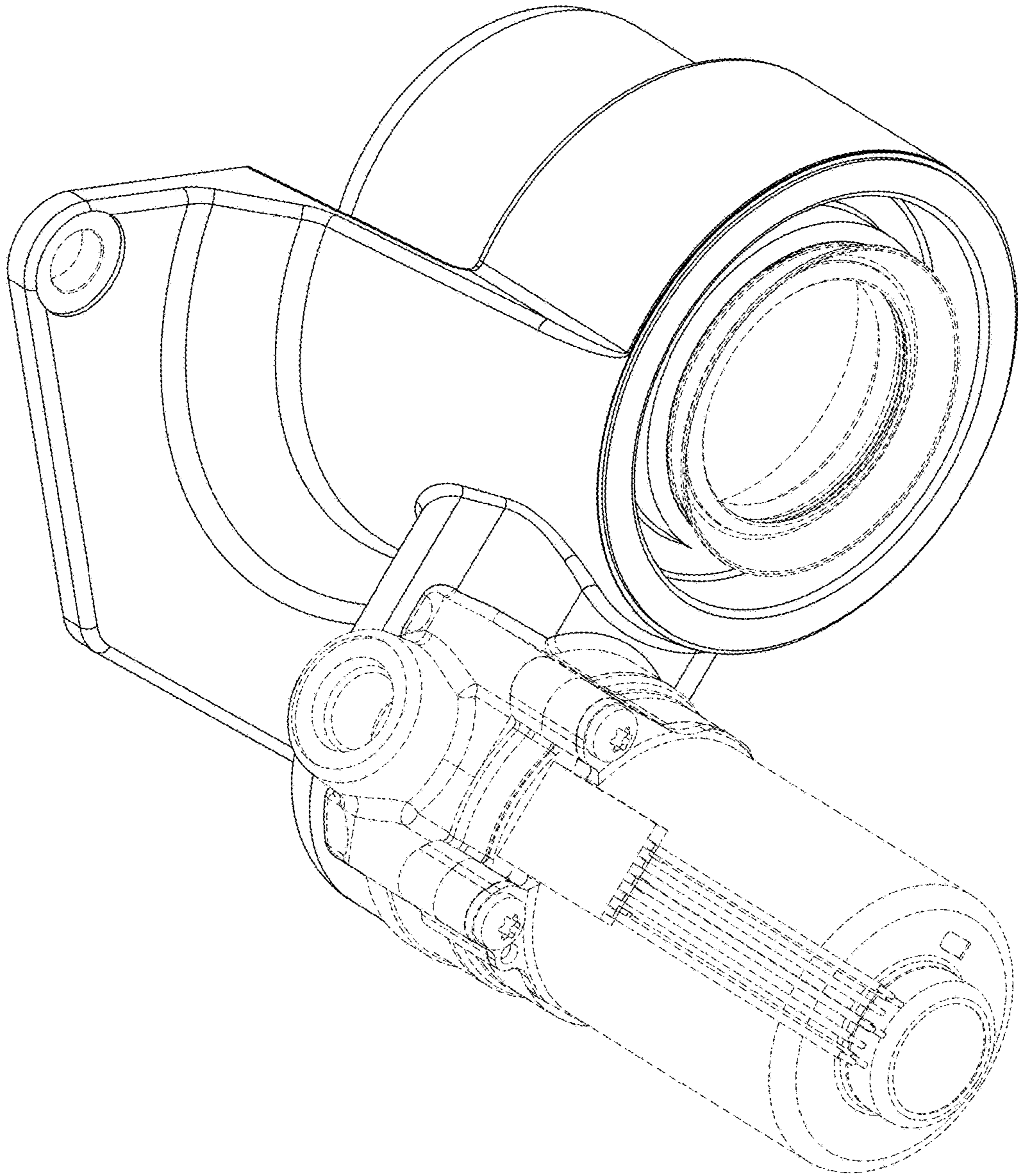


FIG - 1

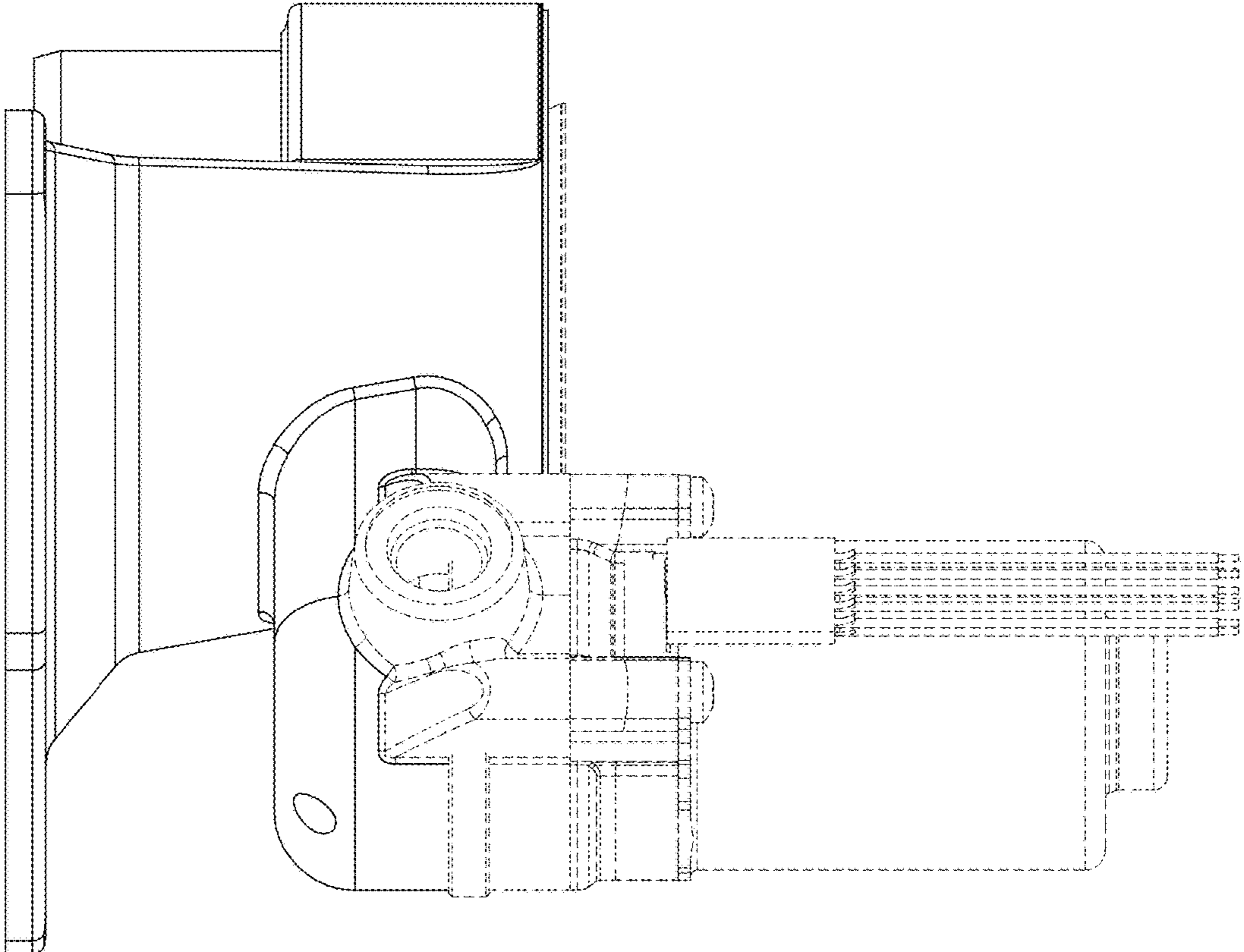


FIG - 2

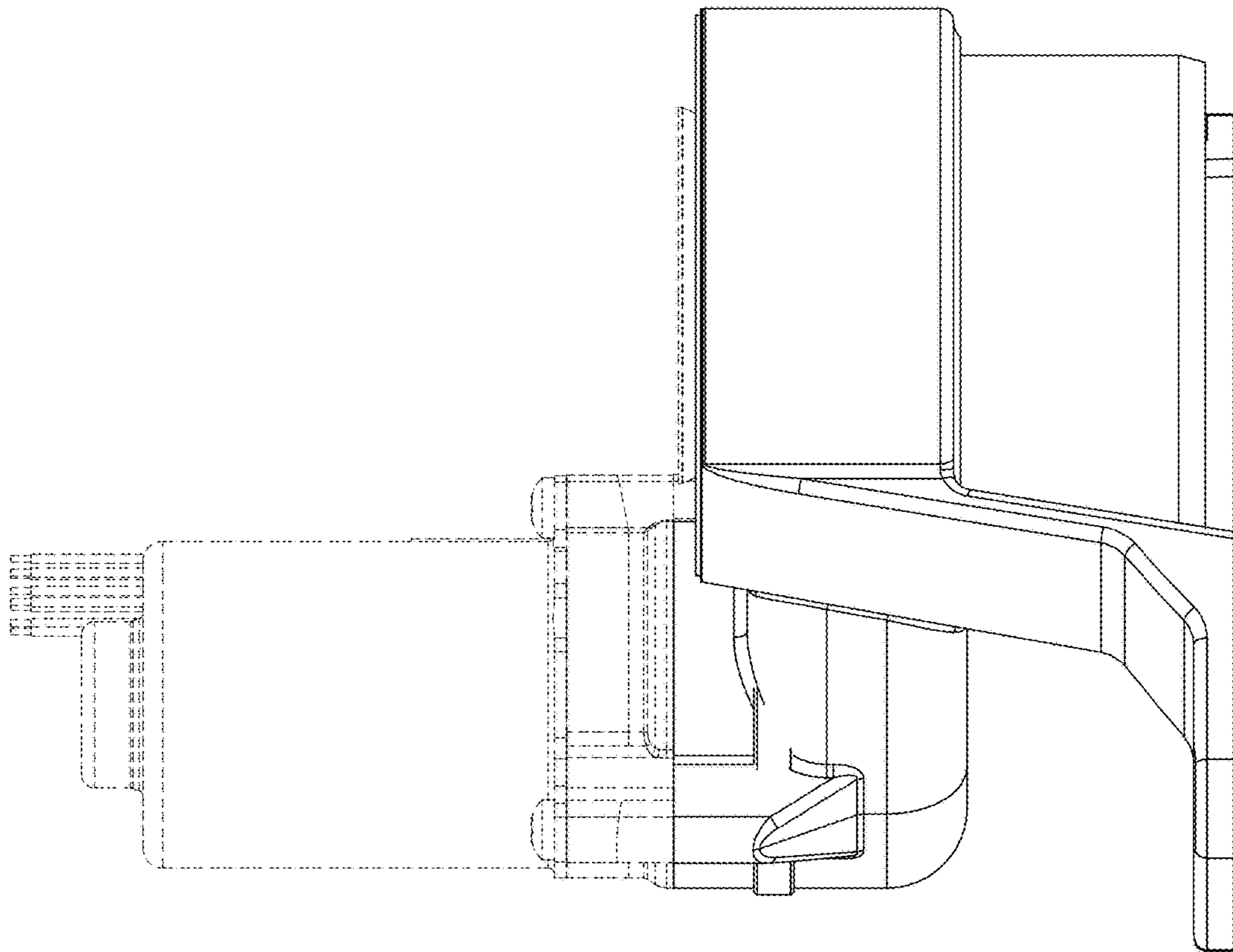


FIG - 3

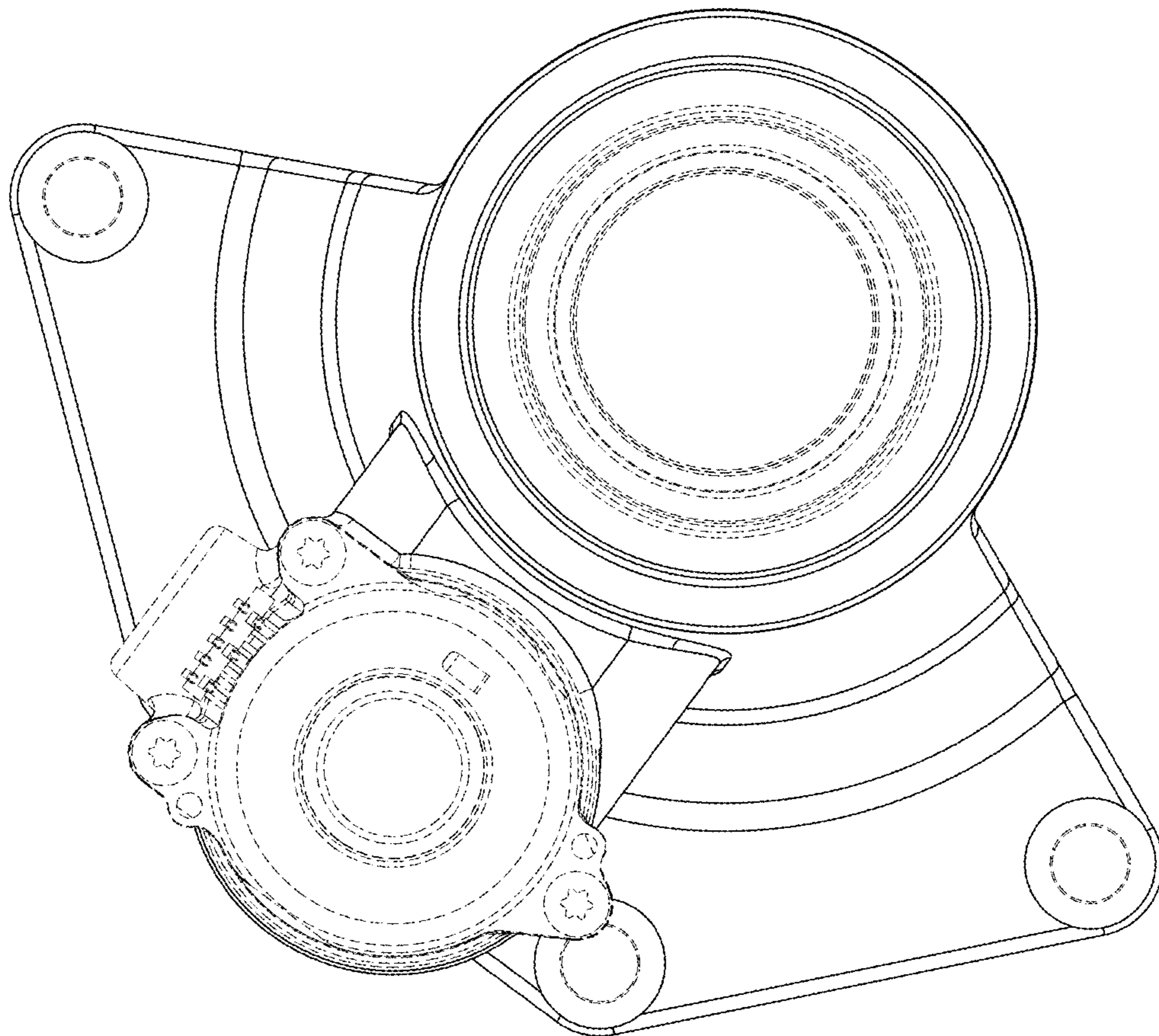


FIG - 4

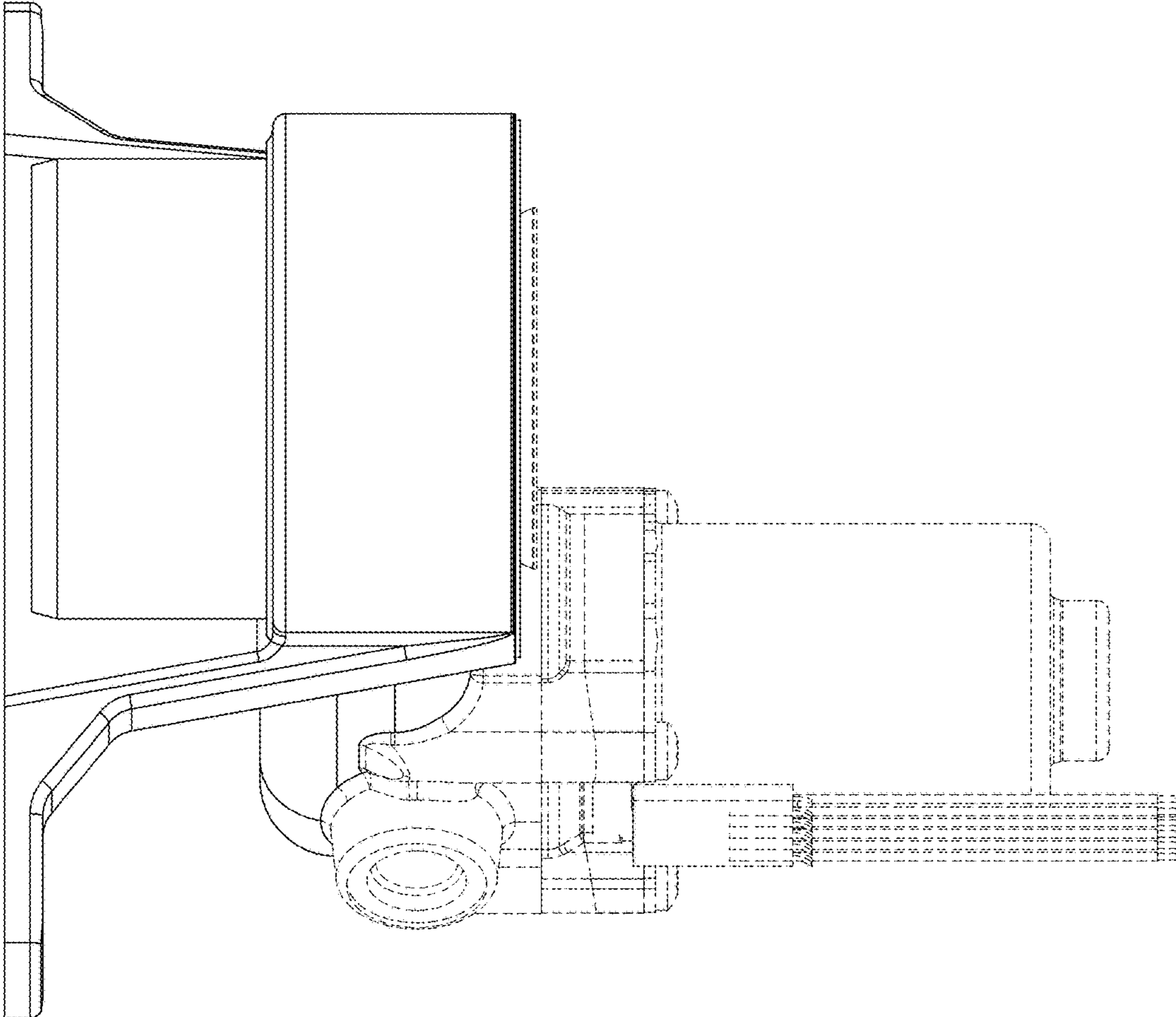


FIG - 5

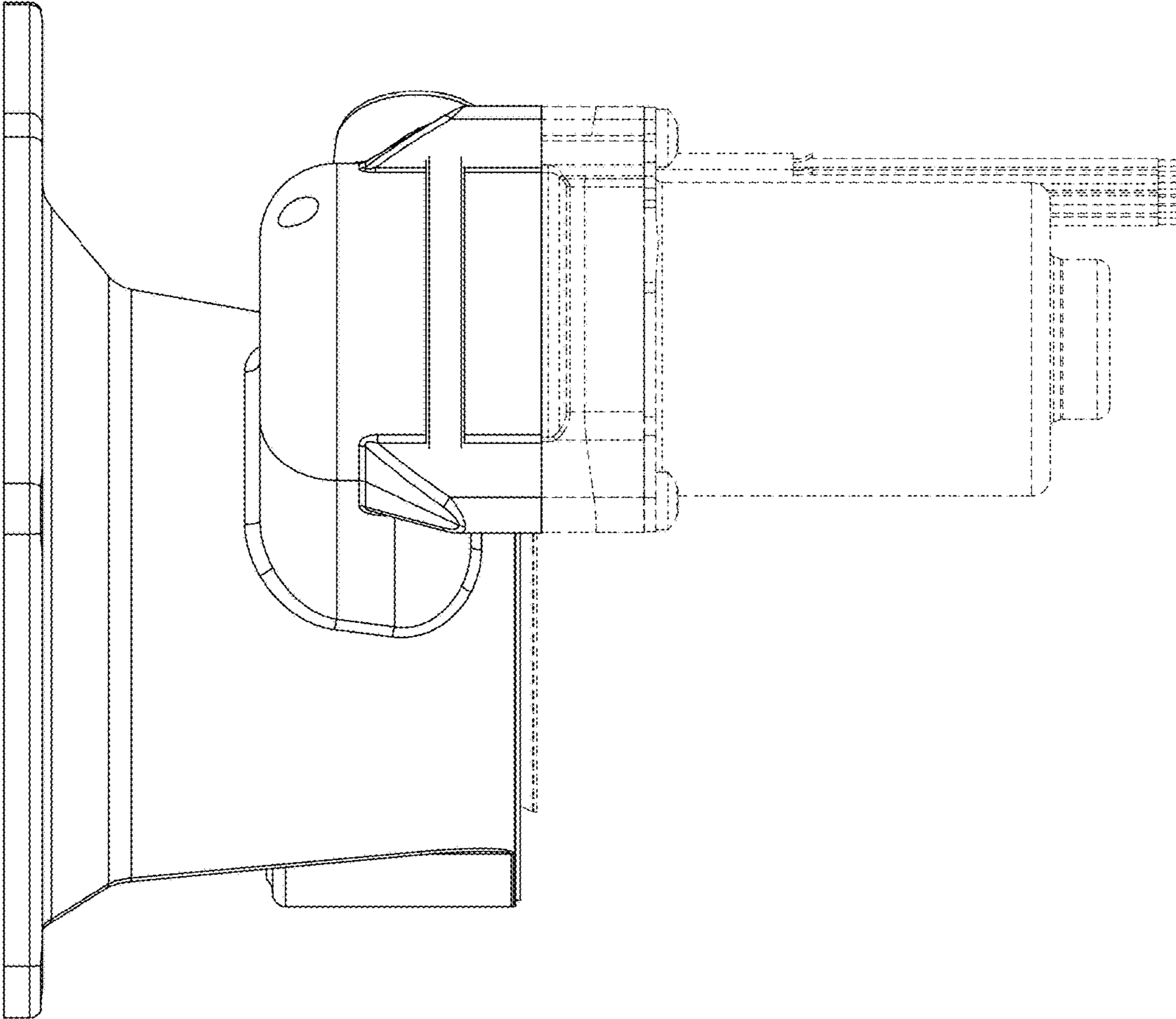


FIG - 6



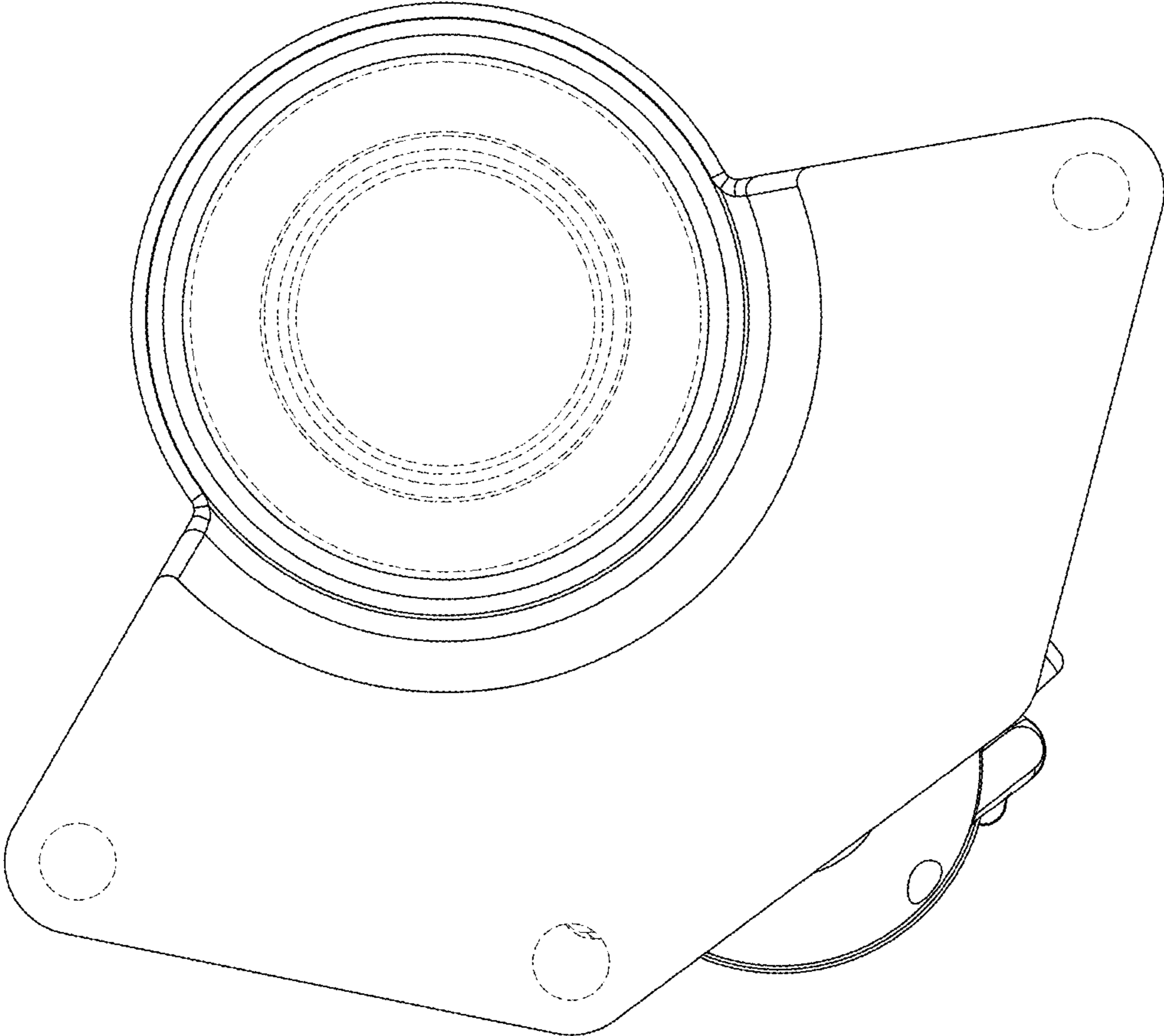


FIG - 7