



US00D811439S

(12) **United States Design Patent** (10) **Patent No.:** **US D811,439 S**  
**Tomlinson et al.** (45) **Date of Patent:** **\*\* Feb. 27, 2018**

(54) **ENGINE VALLEY COVER**  
(71) Applicant: **Holley Performance Products Inc.**,  
Bowling Green, KY (US)  
(72) Inventors: **Thomas W. Tomlinson**, Bowling  
Green, KY (US); **Robert M. Haynes**,  
Bowling Green, KY (US)  
(73) Assignee: **Holley Performance Products, Inc.**,  
Bowling Green, KY (US)

4,261,310 A 4/1981 Laws, Jr.  
D272,430 S \* 1/1984 Minichillo ..... D12/203  
4,492,189 A 1/1985 Ogawa  
4,538,560 A 9/1985 Alden  
4,593,659 A 6/1986 Wells  
D305,767 S 1/1990 Tauschke  
5,095,860 A 3/1992 Newell  
(Continued)

(\*\*) Term: **15 Years**

**FOREIGN PATENT DOCUMENTS**

AU 201712298 5/2017  
AU 201712300 5/2017  
(Continued)

(21) Appl. No.: **29/583,820**

**OTHER PUBLICATIONS**

(22) Filed: **Nov. 9, 2016**

Transmittal Letter of Related Cases.  
(Continued)

(51) **LOC (11) Cl.** ..... **15-01**

(52) **U.S. Cl.**  
USPC ..... **D15/5**

(58) **Field of Classification Search**  
USPC ..... D15/1-5  
CPC ... F01P 5/02; F01P 1/02; F02B 75/007; F02B  
77/13; F02B 75/22; F02B 77/02; F02B  
75/221; F02B 75/227; F02F 7/0046; F02F  
7/0026; F02F 7/0021; F02F 7/0068; F02F  
7/006; F02F 2007/0097; F02F 7/0024;  
F02F 7/0039; F02F 7/0065; F02F  
2007/0075; F02F 2007/0078; F02F  
7/0095; F01M 13/023

*Primary Examiner* — T. Chase Nelson  
*Assistant Examiner* — Ania Aman  
(74) *Attorney, Agent, or Firm* — Middleton Reutlinger

See application file for complete search history.

(57) **CLAIM**

We claim the ornamental design for an engine valley cover,  
as shown and described.

(56) **References Cited**

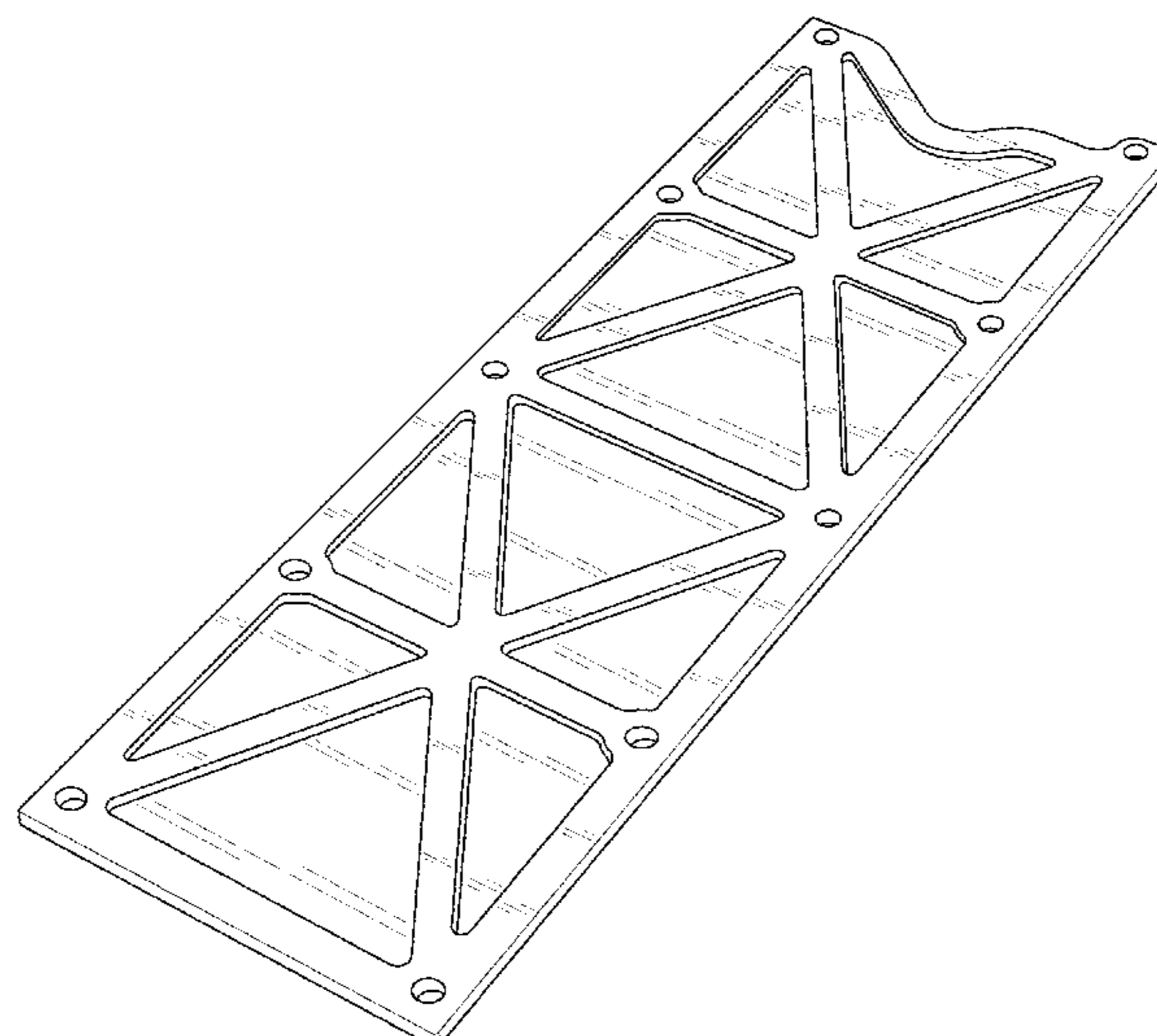
**U.S. PATENT DOCUMENTS**

2,877,756 A 3/1959 McCauley  
3,256,871 A 6/1966 Bintz  
4,165,720 A \* 8/1979 Barcak ..... F01P 3/12  
123/41.31  
D252,878 S 9/1979 Bellino  
D256,618 S \* 8/1980 Klein ..... D12/203  
D257,442 S \* 10/1980 Nakai ..... D18/59  
4,257,369 A 3/1981 Abe

**DESCRIPTION**

FIG. 1 is a front perspective view of an engine valley cover  
showing our new design.  
FIG. 2 is a front elevational view thereof;  
FIG. 3 is a back elevational view thereof;  
FIG. 4 is a left side elevational view thereof;  
FIG. 5 is a right side elevational view thereof;  
FIG. 6 is a top plan view thereof; and,  
FIG. 7 is a bottom plan view thereof.  
The broken lines in the drawings illustrate environmental  
structure on the article and form no part of the claimed  
design.

**1 Claim, 5 Drawing Sheets**



(56)

References Cited

U.S. PATENT DOCUMENTS

5,365,901 A 11/1994 Kiczek  
 5,390,648 A \* 2/1995 Yanase ..... F02B 77/00  
 123/634  
 5,513,603 A 5/1996 Ang  
 5,513,604 A 5/1996 Clement  
 5,687,975 A 11/1997 Inciong  
 5,937,804 A \* 8/1999 Kaminski ..... F02B 75/22  
 123/195 C  
 D418,844 S 1/2000 Occhiuto  
 6,494,193 B2 \* 12/2002 Weingaertner ..... F02P 3/02  
 123/143 C  
 6,591,796 B1 \* 7/2003 Scott ..... F01L 13/0005  
 123/572  
 D503,724 S 4/2005 Grant  
 D512,438 S \* 12/2005 Matsunami ..... D15/5  
 7,137,378 B1 11/2006 Jaeger  
 D543,998 S 6/2007 Platt  
 7,343,890 B1 3/2008 Platt  
 D574,853 S 8/2008 Harbert  
 D580,954 S 11/2008 Platt  
 7,765,971 B1 8/2010 Overacker  
 8,056,522 B1 11/2011 Carter  
 D657,798 S 4/2012 Platt  
 8,424,503 B1 4/2013 Harbert  
 D700,288 S 2/2014 Santos  
 D727,362 S 4/2015 Platt  
 D735,759 S 4/2015 Chan  
 D775,234 S \* 12/2016 Okuyama ..... D15/5  
 D777,791 S \* 1/2017 Okuyama ..... D15/1  
 D785,674 S \* 5/2017 Takahata ..... D15/1  
 D788,824 S \* 6/2017 Choi ..... D15/5  
 2002/0112684 A1 8/2002 Jones  
 2005/0132997 A1 6/2005 Vargas  
 2007/0169734 A1 7/2007 Harbert  
 2007/0277724 A1 12/2007 Sammons  
 2008/0001040 A1 1/2008 Franks  
 2008/0121199 A1 5/2008 Harbert  
 2009/0241879 A1 10/2009 Harbert  
 2010/0043740 A1 \* 2/2010 Turner, Jr. .... F01L 1/20  
 123/196 AB  
 2012/0079997 A1 \* 4/2012 Iwanicki ..... F01P 5/10  
 123/41.44  
 2014/0369863 A1 \* 12/2014 Hibino ..... F02B 37/013  
 417/243

2016/0115918 A1 \* 4/2016 Kulkarni ..... F02M 35/10321  
 123/590  
 2016/0281600 A1 \* 9/2016 Nakanishi ..... F02B 77/02  
 2017/0022931 A1 \* 1/2017 Webb ..... F02F 7/0068  
 2017/0130668 A1 \* 5/2017 Takahata ..... B60R 16/0215  
 2017/0167353 A1 \* 6/2017 Pitcel ..... F01P 1/02  
 2017/0175817 A1 \* 6/2017 Ejakov ..... F02F 7/0053

FOREIGN PATENT DOCUMENTS

AU 201712302 5/2017  
 AU 201712303 5/2017  
 AU 201712306 5/2017  
 AU 201712313 5/2017  
 AU 201712314 5/2017  
 AU 201712315 5/2017  
 AU 201712316 5/2017  
 AU 201712317 5/2017  
 AU 201712318 5/2017  
 AU 201712321 5/2017  
 AU 201712322 5/2017  
 AU 201712323 5/2017

OTHER PUBLICATIONS

Design U.S. Appl. No. 29/583,807 entitled "Valve Cover" filed Nov. 9, 2016.  
 Design U.S. Appl. No. 29/583,814 entitled "Engine Valley Cover" filed Nov. 9, 2016.  
 Design U.S. Appl. No. 29/583,824 entitled "Engine Valley Cover" filed Nov. 9, 2016.  
 Design U.S. Appl. No. 29/583,828 entitled "Engine Valley Cover" filed Nov. 9, 2016.  
 Design U.S. Appl. No. 29/583,835 entitled "Set of Engine Valve Covers" filed Nov. 9, 2016.  
 Design U.S. Appl. No. 29/583,843 entitled "Set of Engine Valve Covers" filed Nov. 9, 2016.  
 Design U.S. Appl. No. 29/583,851 entitled "Set of Engine Valve Covers" filed Nov. 9, 2016.  
 Design U.S. Appl. No. 29/583,867 entitled "Valve Cover" filed Nov. 9, 2016.  
 Design U.S. Appl. No. 29/583,874 entitled "Valve Cover" filed Nov. 9, 2016.  
 Design U.S. Appl. No. 29/583,878 entitled "Valve Cover" filed Nov. 9, 2016.

\* cited by examiner

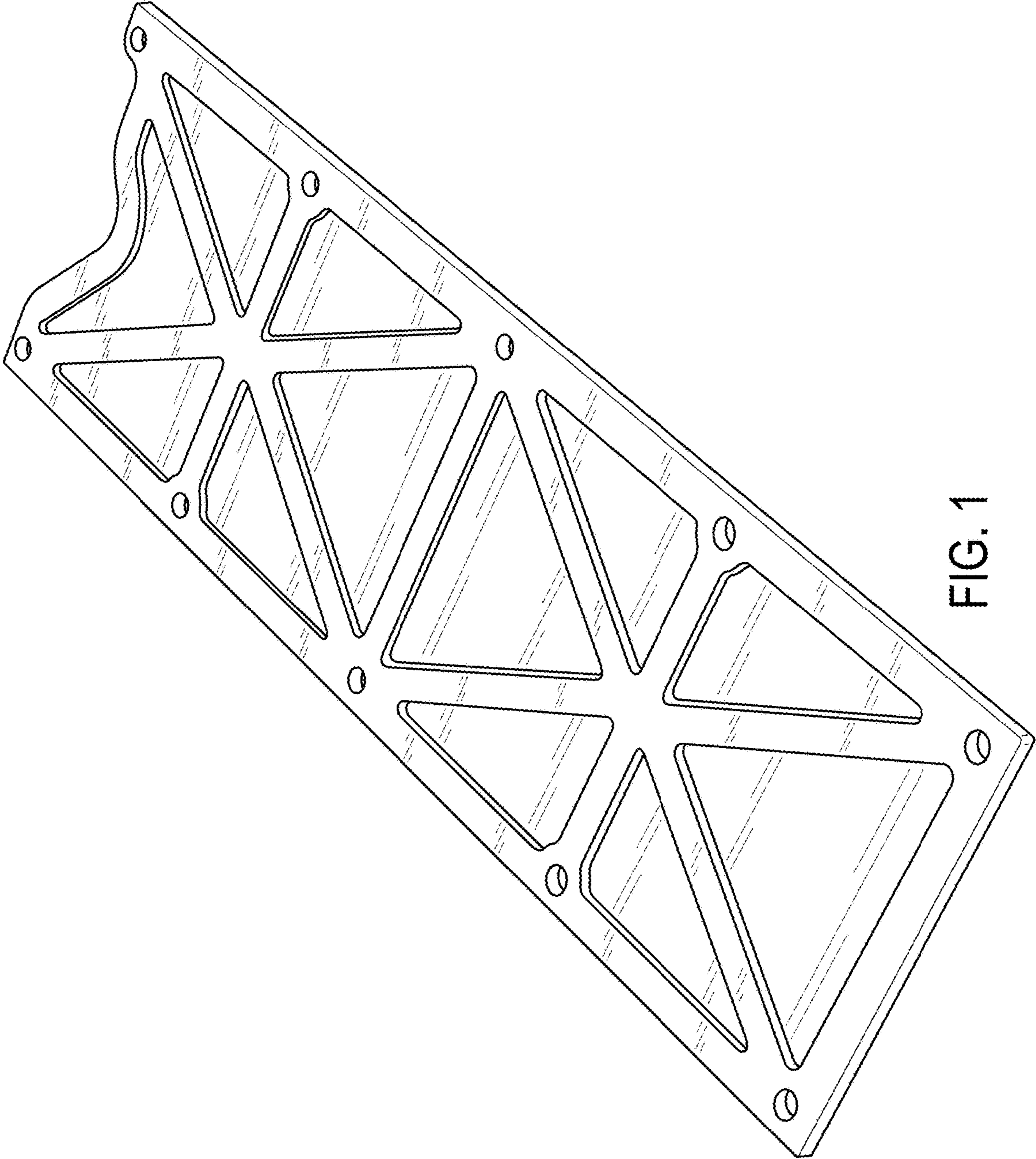


FIG. 1

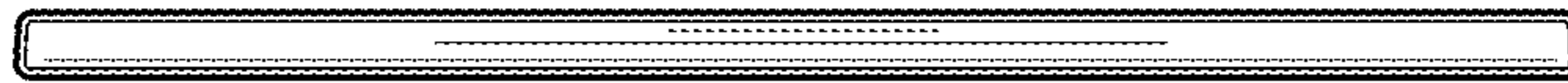


FIG. 2



FIG. 3



FIG. 4

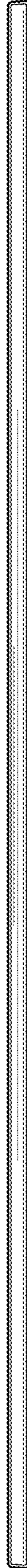


FIG. 5

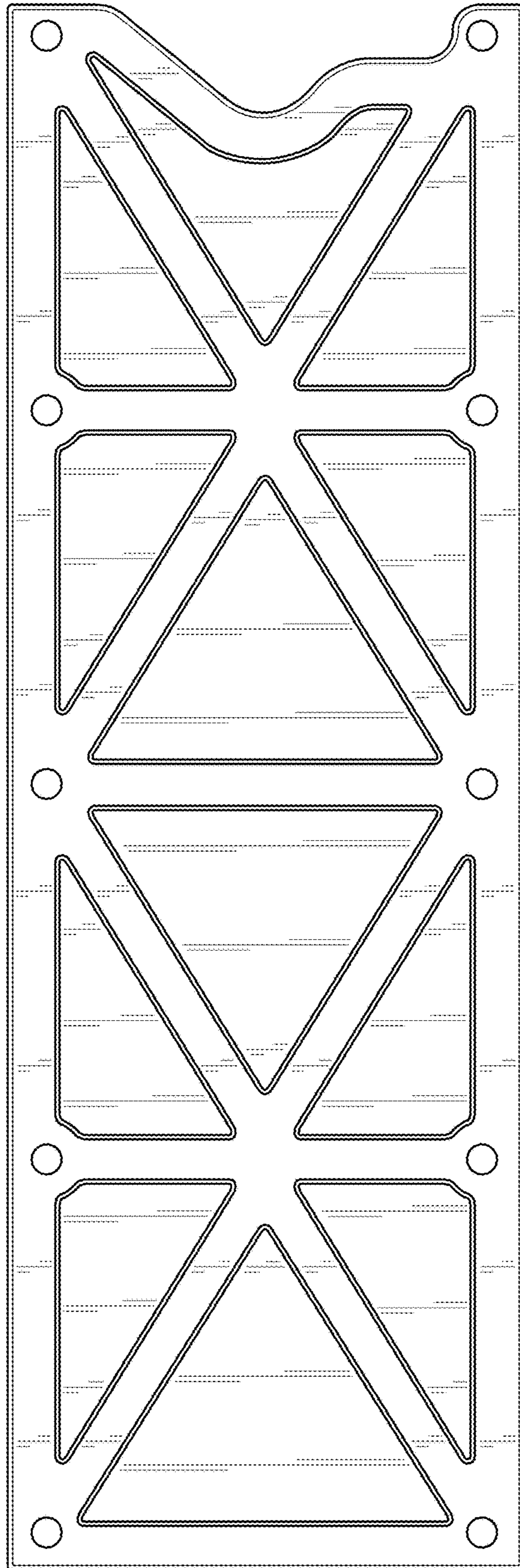


FIG. 6

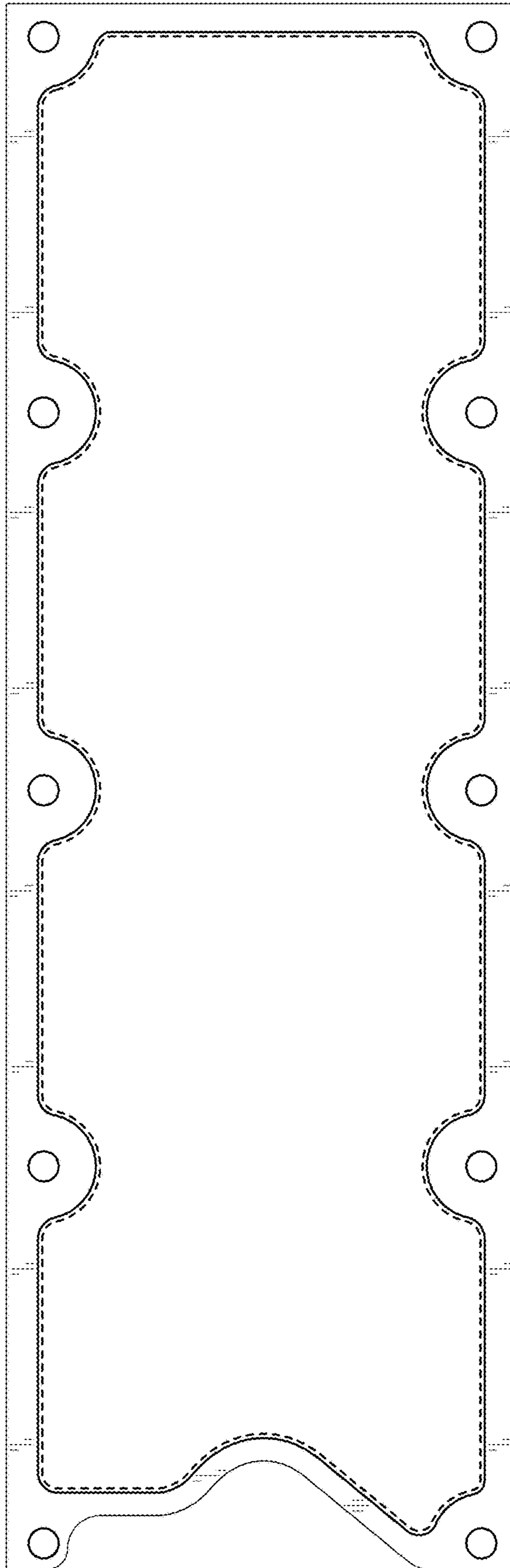


FIG. 7