



US00D811438S

(12) **United States Design Patent** (10) **Patent No.:** **US D811,438 S**
Hamburger et al. (45) **Date of Patent:** **** Feb. 27, 2018**

- (54) **SUPERCHARGER SYSTEM** 8,439,020 B1 * 5/2013 Carlson F02B 33/40
123/559.1
- (71) Applicant: **Hamburger's Specialty Vehicles, Inc.,** 9,664,152 B2 * 5/2017 Zoner F02M 35/10157
Toms River, NJ (US) 2011/0123315 A1 * 5/2011 Robinson F02B 37/004
415/145
- (72) Inventors: **Edward Hamburger,** Toms River, NJ 2011/0252790 A1 * 10/2011 Lotterman F02B 37/00
(US); **David Goral,** Bayville, NJ (US); 2014/0165559 A1 * 6/2014 Lotterman F02B 37/025
Henry Daniecki, Cream Ridge, NJ 60/605.1
(US) 2015/0198106 A1 * 7/2015 Ishibashi F02D 23/02
123/445
- (73) Assignee: **HAMBURGER'S SPECIALTY** 2016/0237961 A1 * 8/2016 Callaway, III ... F02M 35/10157
VEHICLES, INC., Toms River, NJ 2017/0101925 A1 * 4/2017 Robinson F02B 37/183
(US) 2017/0198593 A1 * 7/2017 Yoshida F01D 9/026
2017/0218891 A1 * 8/2017 Zoner F02M 35/10085

(**) Term: **15 Years**

OTHER PUBLICATIONS

- (21) Appl. No.: **29/582,666**
- (22) Filed: **Oct. 28, 2016**
- (51) **LOC (11) Cl.** **15-01**
- (52) **U.S. Cl.**
USPC **D15/5**
- (58) **Field of Classification Search**
USPC D15/1-5
CPC F01D 9/026; F02B 37/183; F02B 29/0412;
F02B 29/0437; F02B 33/36; F02B 27/00;
F02B 33/44; F02B 61/02; F02M
35/10157; F02M 35/116; F02M 35/161;
F02M 35/10039; F02M 35/10045; F02M
35/10144; F02M 35/10268
See application file for complete search history.

Co-pending Design U.S. Appl. No. 29/582,660 and Design U.S. Appl. No. 29/582,663.

* cited by examiner

Primary Examiner — T. Chase Nelson

Assistant Examiner — Ania Aman

(74) *Attorney, Agent, or Firm* — MacMillan, Sobanski & Todd, LLC

(57) **CLAIM**

The ornamental design for a supercharger system, as shown and described.

DESCRIPTION

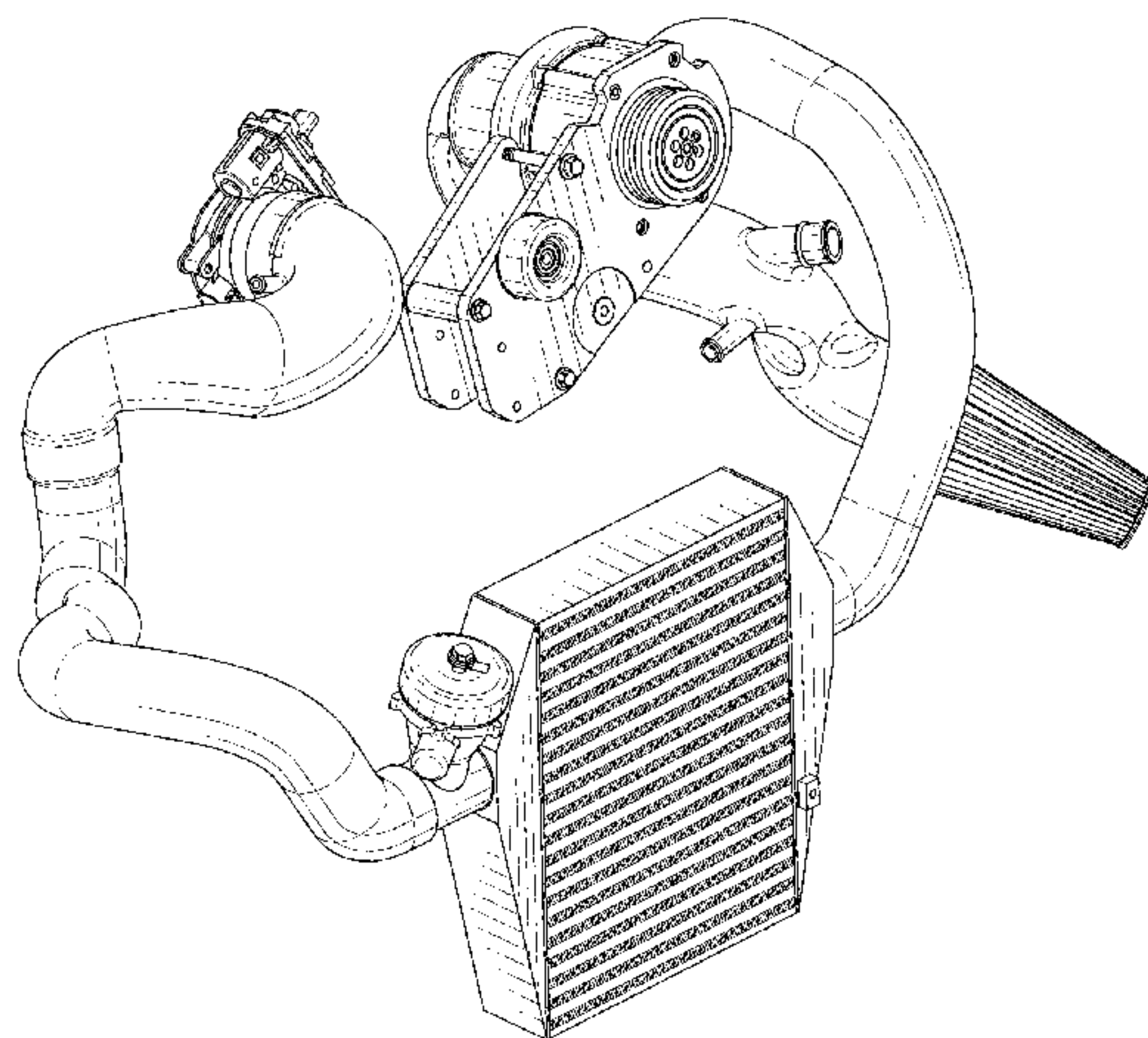
(56) **References Cited**

U.S. PATENT DOCUMENTS

- 4,417,559 A * 11/1983 Matsuda F02B 27/00
123/184.21
- 5,586,540 A * 12/1996 Marzec F02B 33/40
123/559.1
- 7,654,876 B1 * 2/2010 Jones F02B 33/40
123/559.1
- 8,439,019 B1 * 5/2013 Carlson F16H 7/20
123/559.1

FIG. 1 is a perspective view of a supercharger system according to the design;
FIG. 2 is a top plan view thereof;
FIG. 3 is a bottom plan view thereof;
FIG. 4 is a front orthographic view thereof;
FIG. 5 is a rear orthographic view thereof;
FIG. 6 is a right side orthographic view thereof; and,
FIG. 7 is a left side orthographic view thereof.

1 Claim, 7 Drawing Sheets



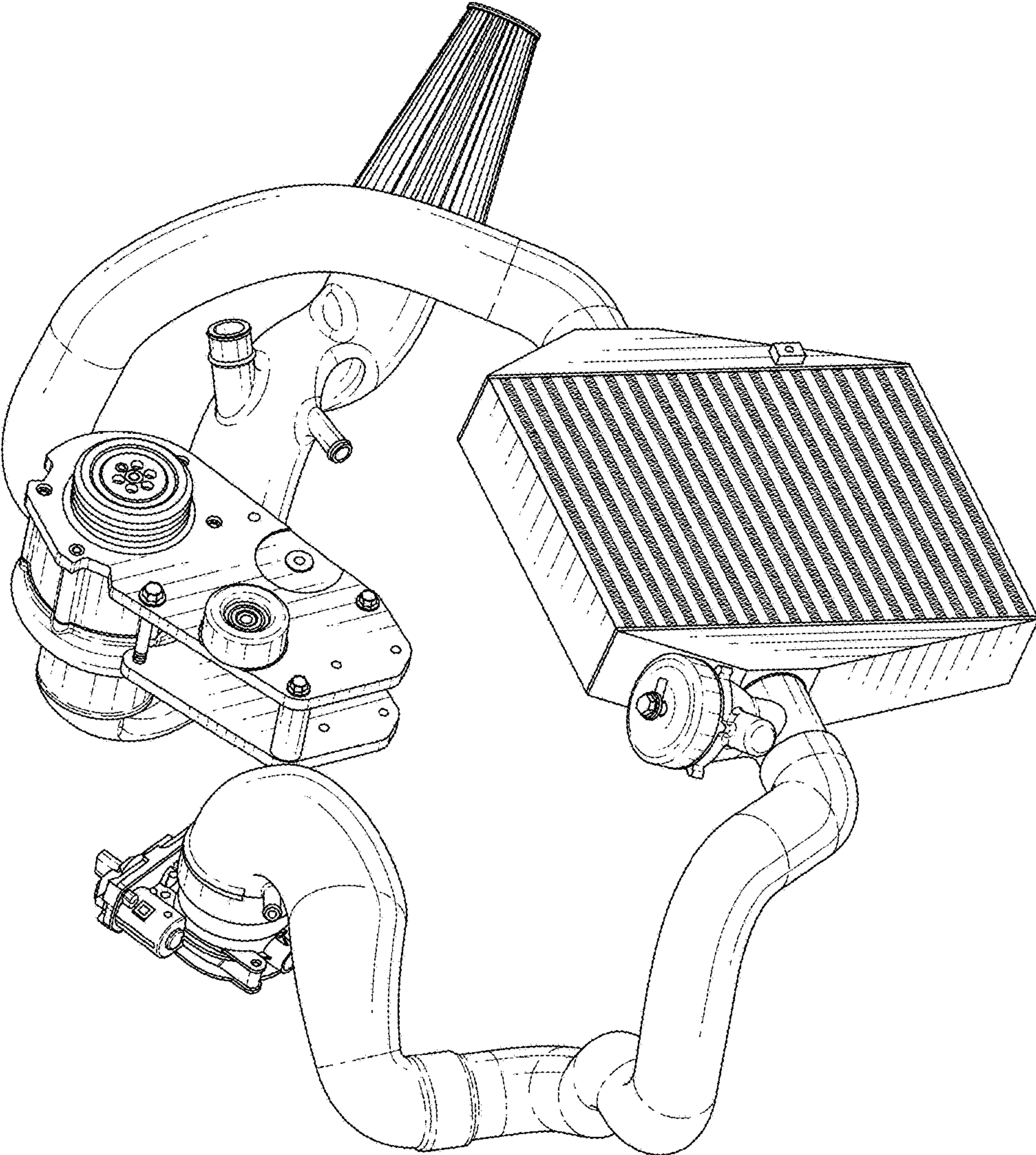


FIG. 1

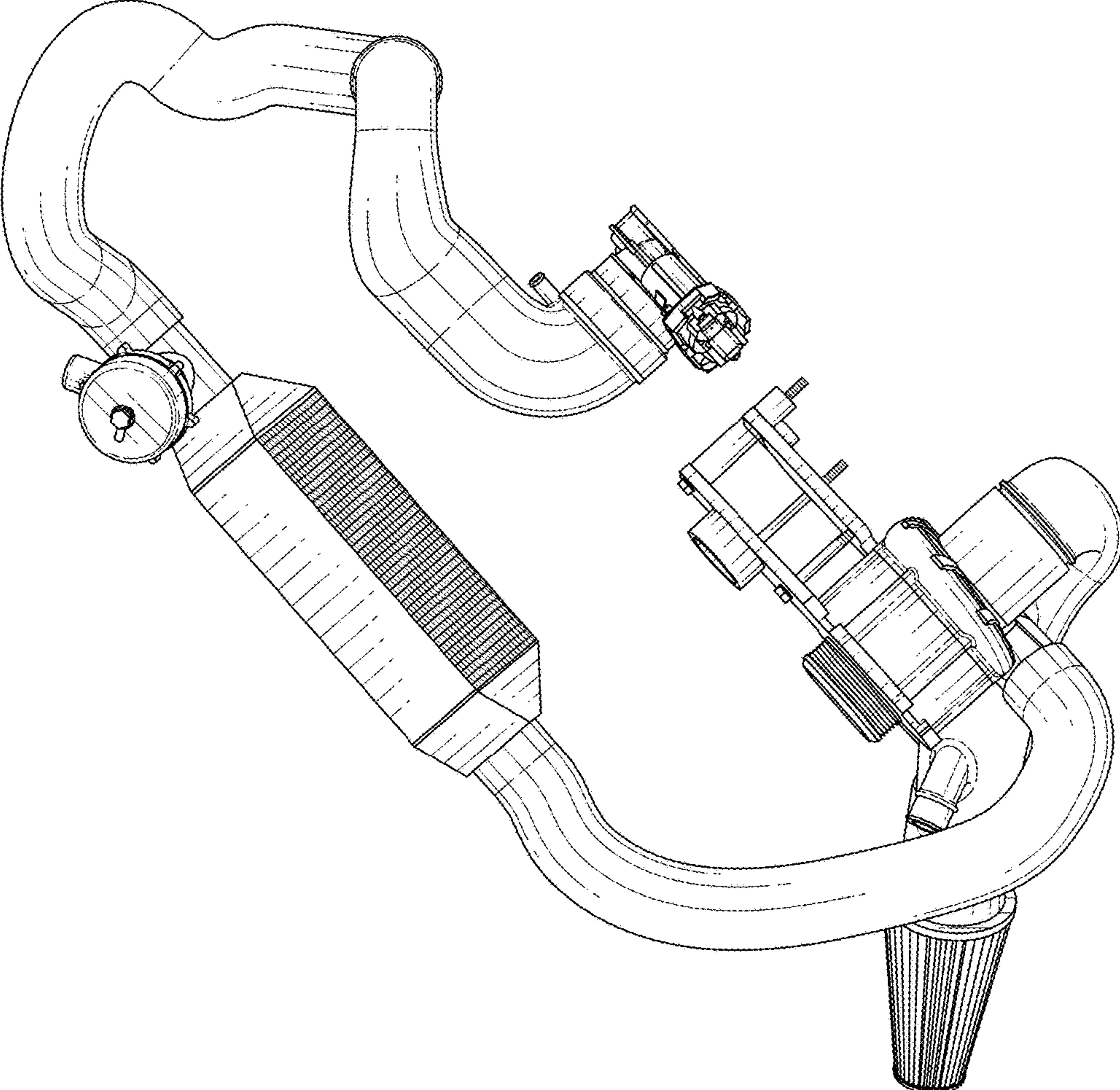


FIG. 2

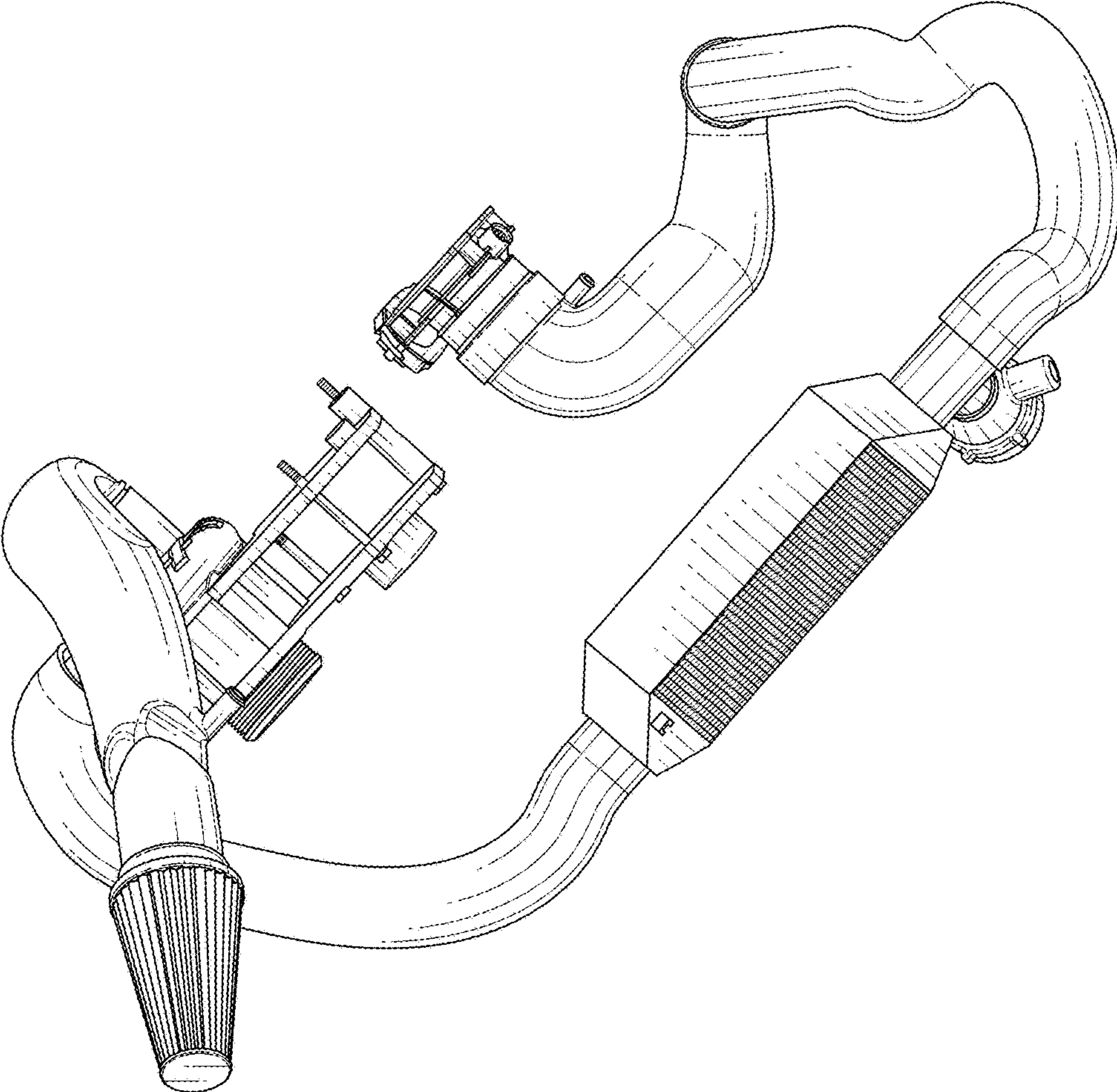


FIG. 3

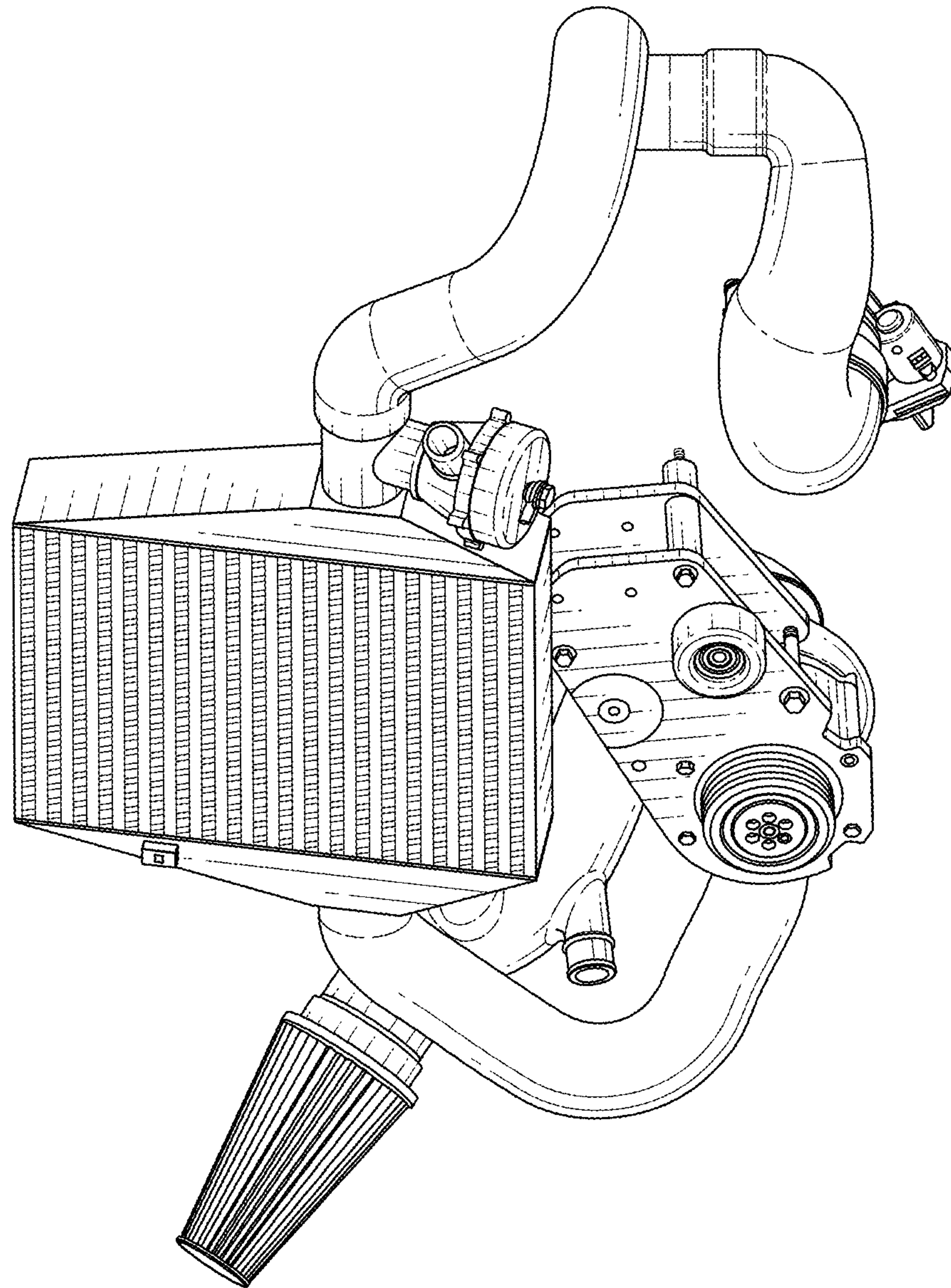


FIG. 4

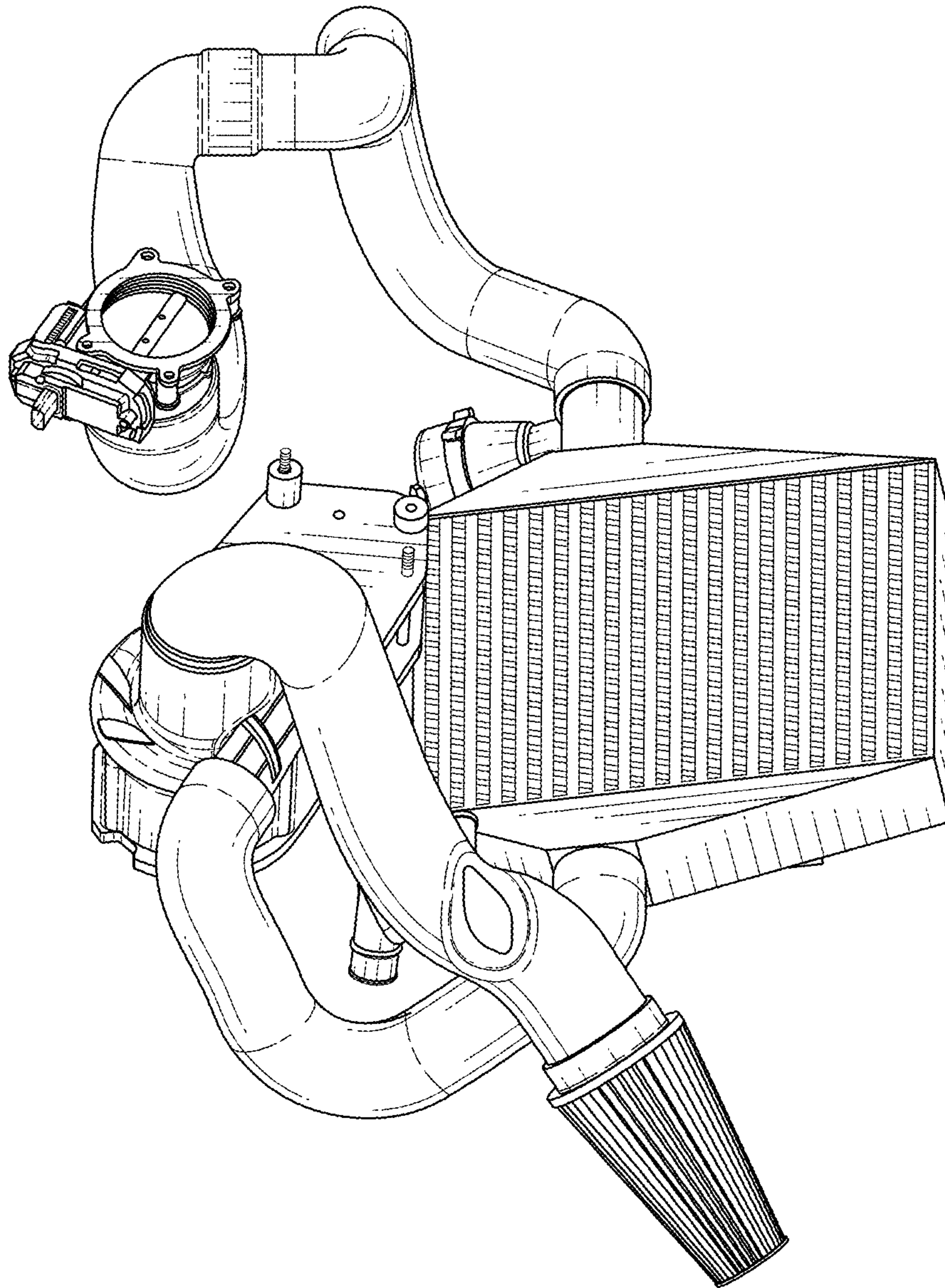


FIG. 5

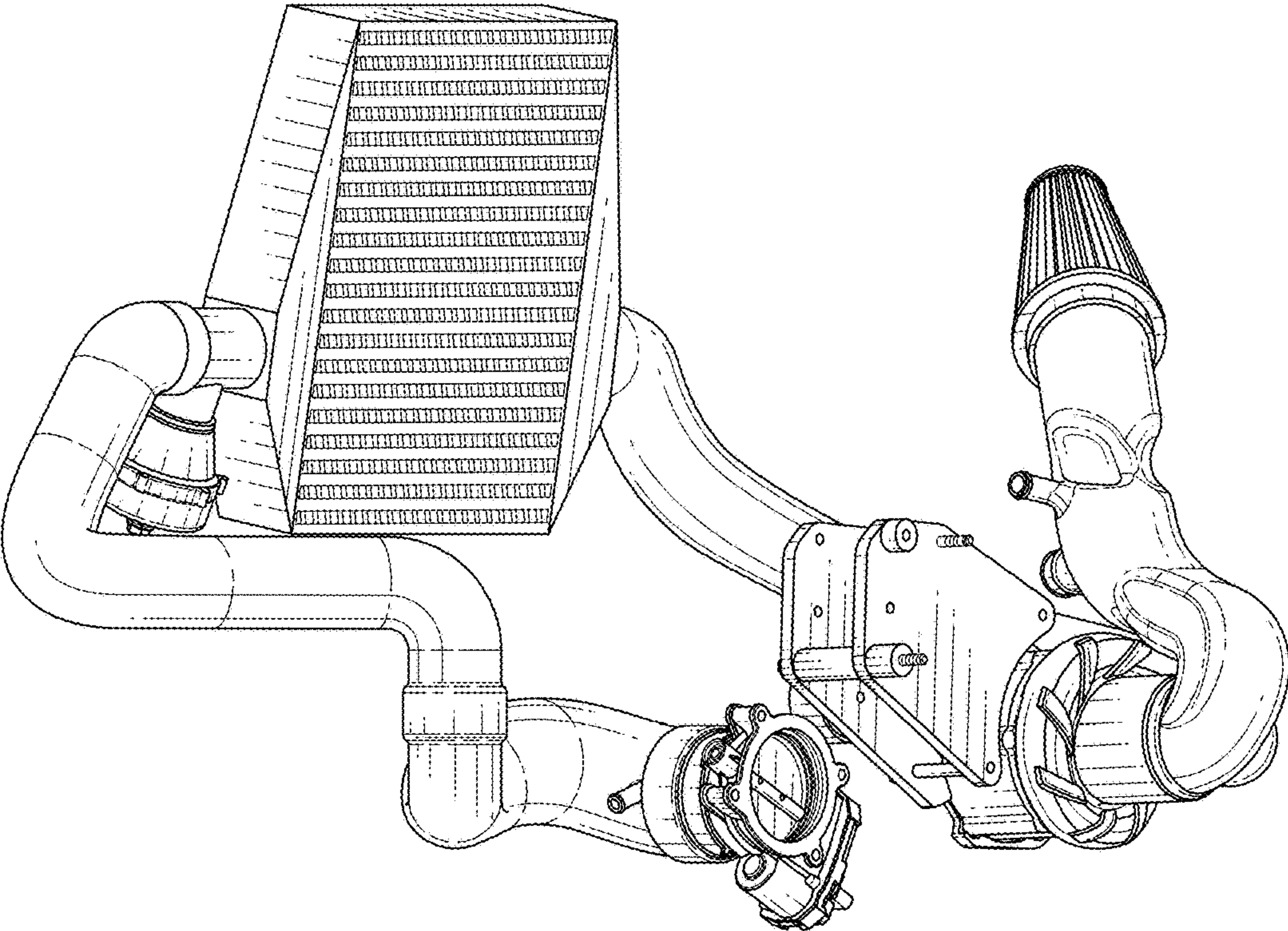


FIG. 6

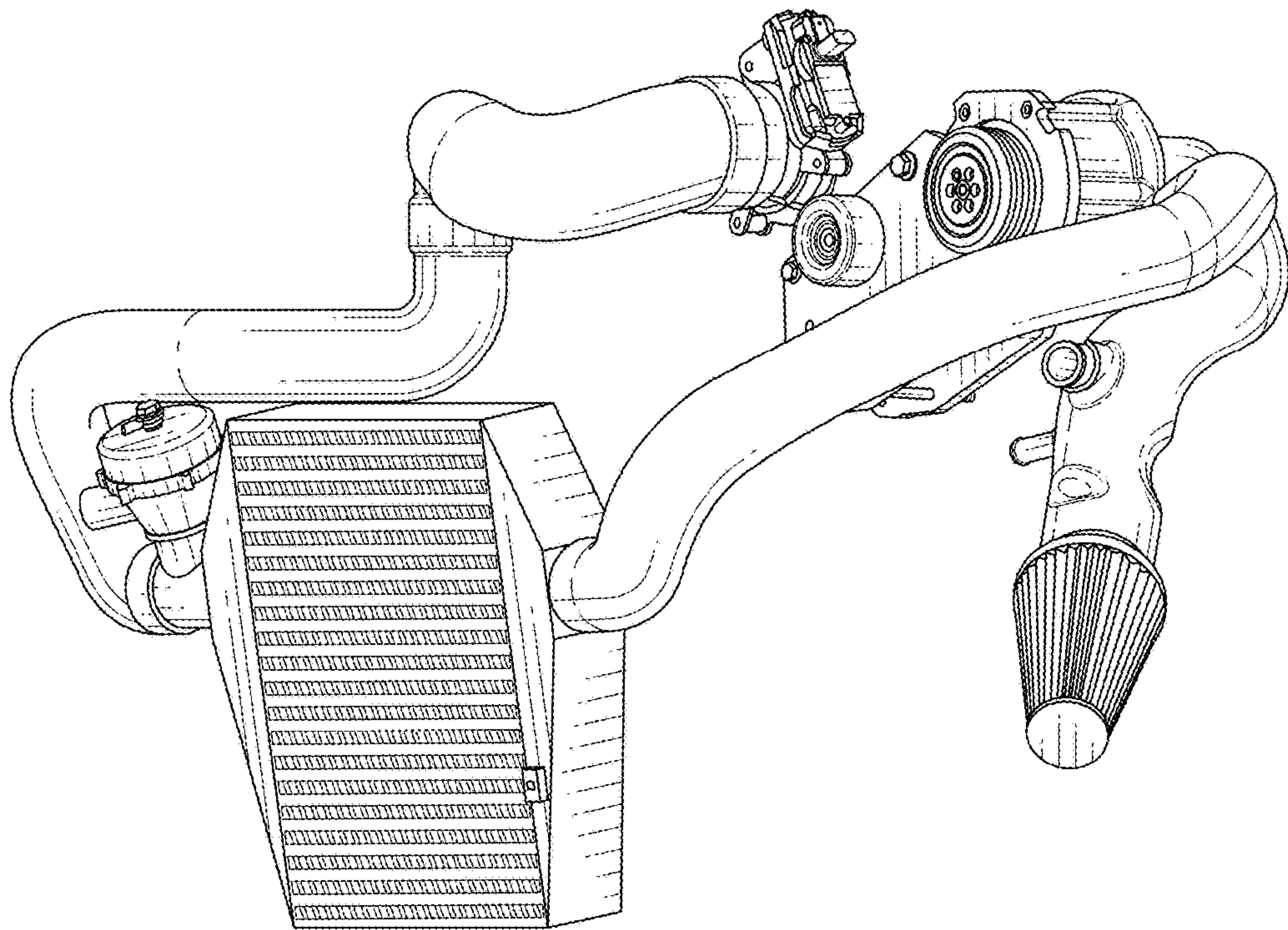


FIG. 7