



US00D811437S

(12) **United States Design Patent** (10) **Patent No.:** **US D811,437 S**  
**Li** (45) **Date of Patent:** **\*\* Feb. 27, 2018**

(54) **MOTOR CONTROLLER**

(71) Applicant: **Siemens Aktiengesellschaft**, Munich (DE)

(72) Inventor: **Shuang Jia Li**, Shanghai (CN)

(73) Assignee: **Siemens Aktiengesellschaft**, Munich (DE)

(\*\*) Term: **15 Years**

(21) Appl. No.: **29/579,339**

(22) Filed: **Sep. 29, 2016**

(30) **Foreign Application Priority Data**

Mar. 30, 2016 (CN) ..... 2016 3 0100885

(51) **LOC (11) Cl.** ..... **15-01**

(52) **U.S. Cl.**  
USPC ..... **D15/5**

(58) **Field of Classification Search**  
USPC ..... D15/1-6; D13/101, 110, 123, 133, 146,  
D13/147, 154, 162, 164, 184, 199  
CPC ..... H05K 7/20845; H05K 7/20872; H05K  
7/20927  
See application file for complete search history.

(56) **References Cited**

**U.S. PATENT DOCUMENTS**

- D352,275 S \* 11/1994 Crawley ..... D13/122
- 6,891,725 B2 \* 5/2005 Derksen ..... H05K 7/209  
165/185
- 6,984,950 B2 \* 1/2006 Jonsson ..... H02P 1/26  
318/268
- D525,194 S \* 7/2006 Nagai ..... D13/110
- D716,727 S \* 11/2014 Oyadomari ..... D13/110
- D716,728 S \* 11/2014 Oyadomari ..... D13/110
- 9,184,640 B2 \* 11/2015 Morimoto ..... H02K 9/22
- 9,241,428 B1 \* 1/2016 Doo ..... H02M 1/10

- 2007/0246635 A1 \* 10/2007 Nakajima ..... B60K 6/26  
248/637
- 2011/0310585 A1 \* 12/2011 Suwa ..... H05K 7/20927  
361/820
- 2013/0235527 A1 \* 9/2013 Wagner ..... H05K 1/0203  
361/702
- 2014/0078803 A1 \* 3/2014 Nishihara ..... H02M 7/003  
363/141
- 2014/0098588 A1 \* 4/2014 Kaneko ..... H02M 7/003  
363/141
- 2014/0218865 A1 \* 8/2014 Wagner ..... G06Q 10/087  
361/702
- 2015/0146378 A1 \* 5/2015 You ..... H05K 7/20254  
361/707
- 2016/0157391 A1 \* 6/2016 Huang ..... H05K 7/20927  
62/243

\* cited by examiner

*Primary Examiner* — T. Chase Nelson

*Assistant Examiner* — Ania Aman

(74) *Attorney, Agent, or Firm* — Schiff Hardin LLP

(57) **CLAIM**

The ornamental design for a motor controller, as shown and described.

**DESCRIPTION**

FIG. 1 is a front elevational view of a motor controller showing our new design;  
 FIG. 2 is a back elevational view thereof;  
 FIG. 3 is a top plan view thereof;  
 FIG. 4 is a bottom plan view thereof;  
 FIG. 5 is a side elevational view of the right side thereof;  
 FIG. 6 is a side elevational view of the left side thereof; and,  
 FIG. 7 is a perspective view taken generally from the upper, front, right-hand side thereof.  
 The broken lines shown in the drawings represent portions of the motor controller that form no part of the claimed design.

**1 Claim, 7 Drawing Sheets**

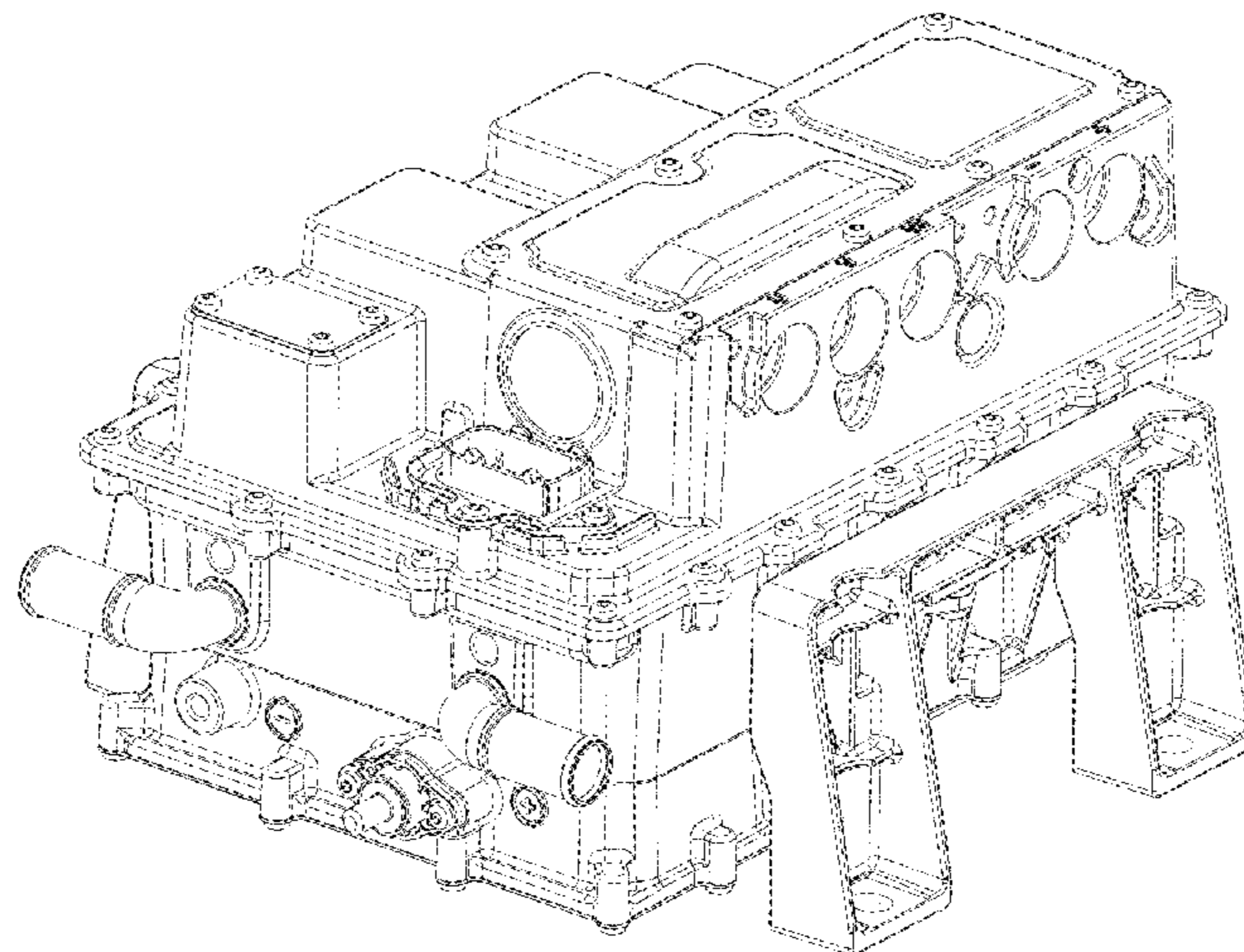


FIG 1

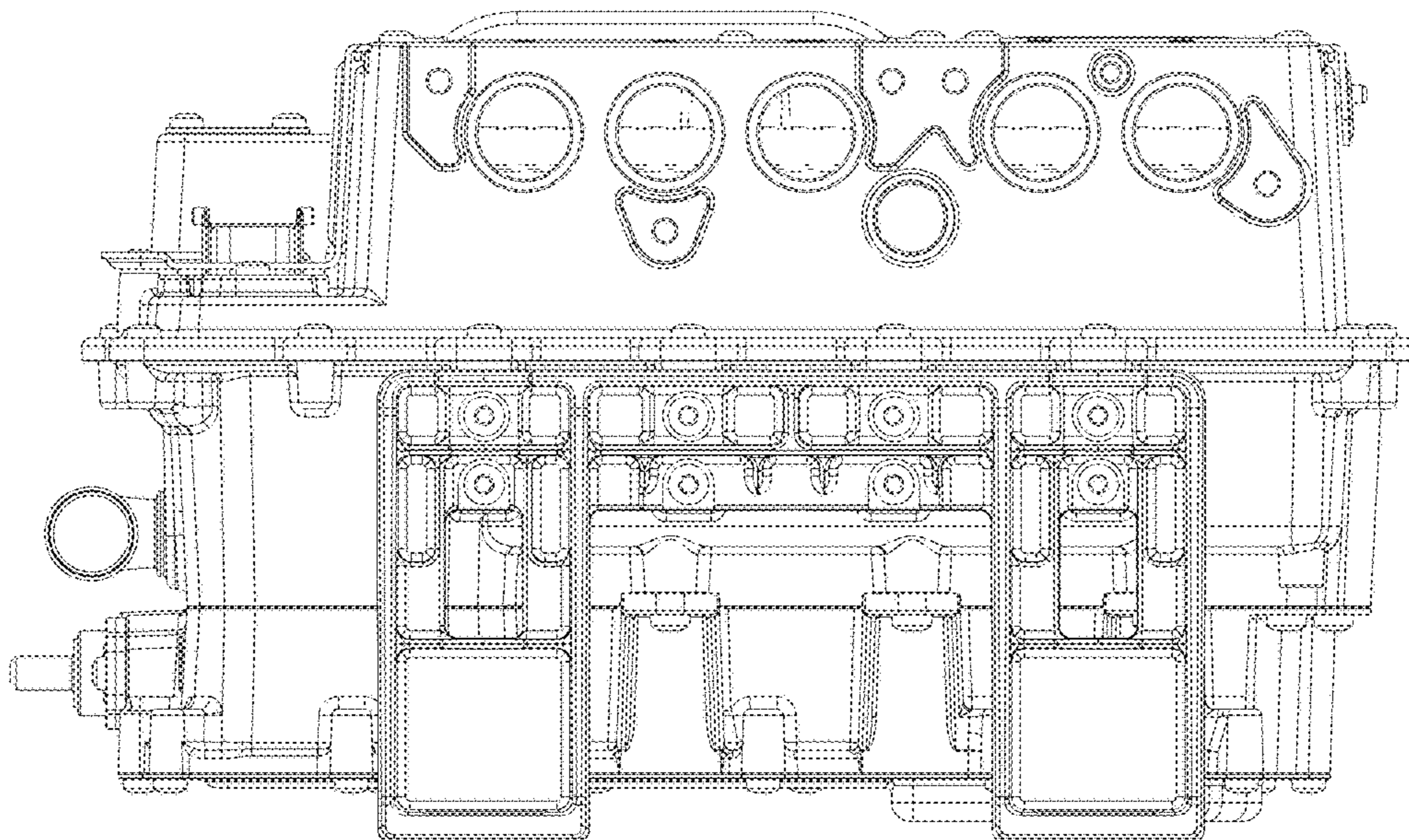


FIG 2

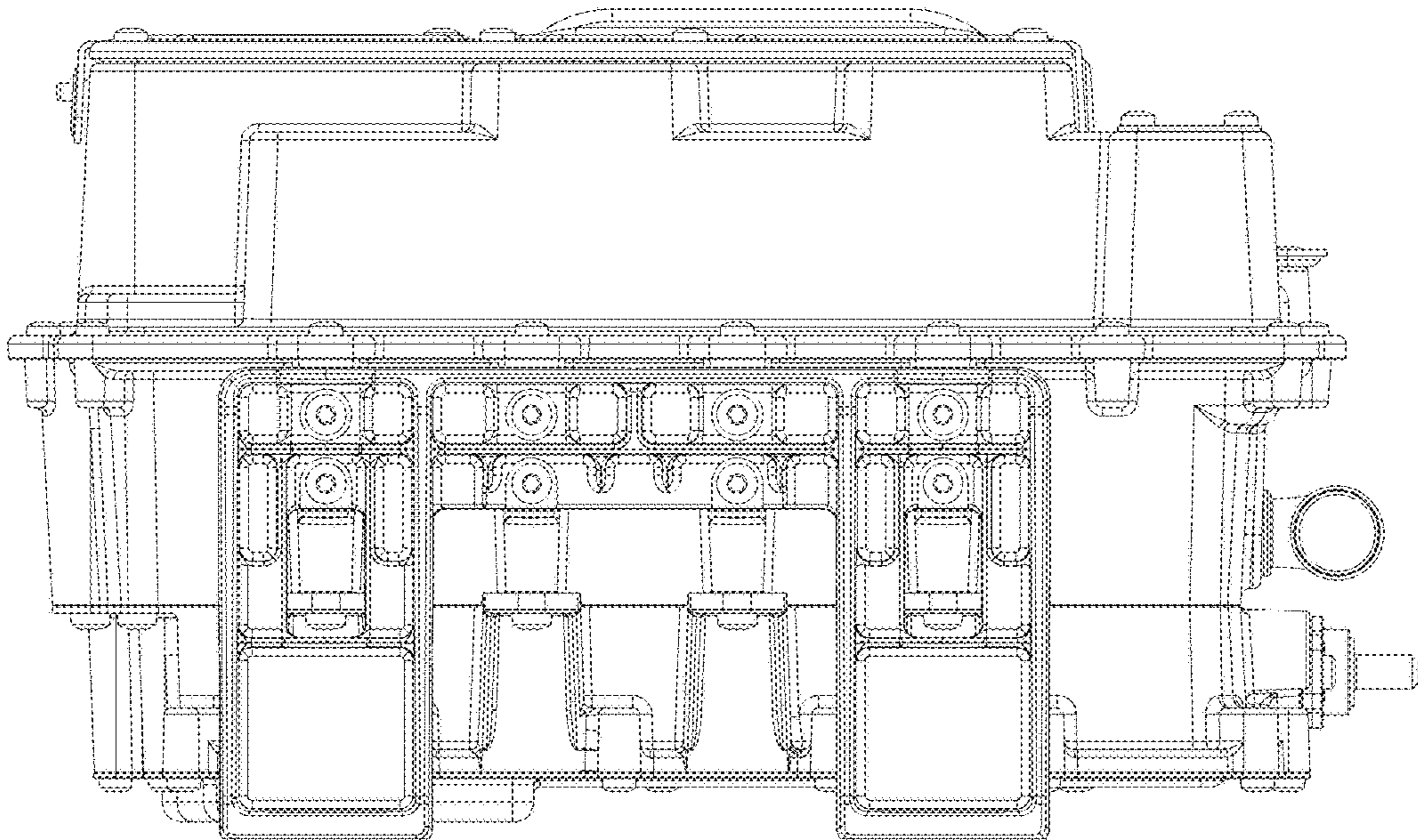


FIG 3

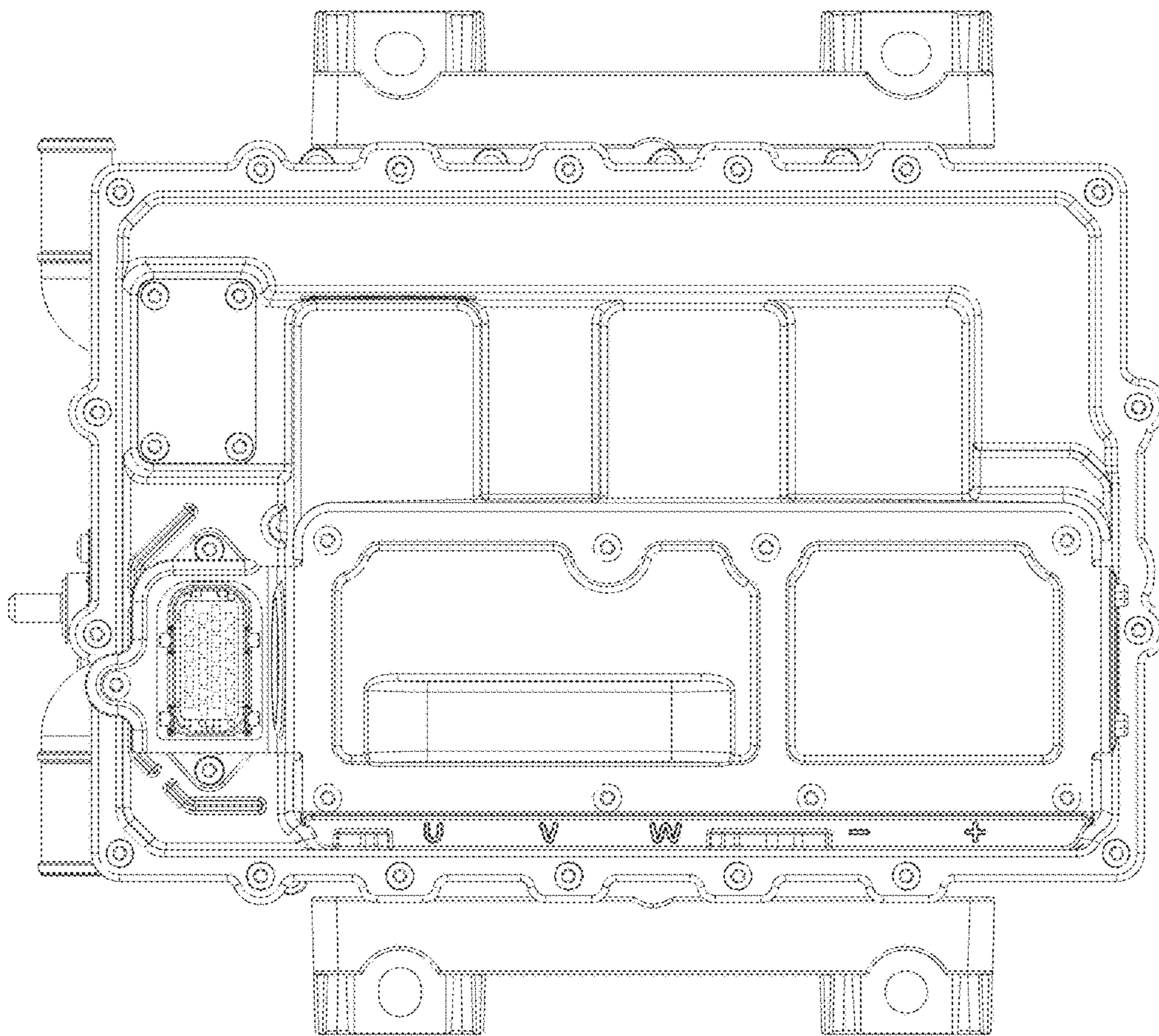


FIG 4

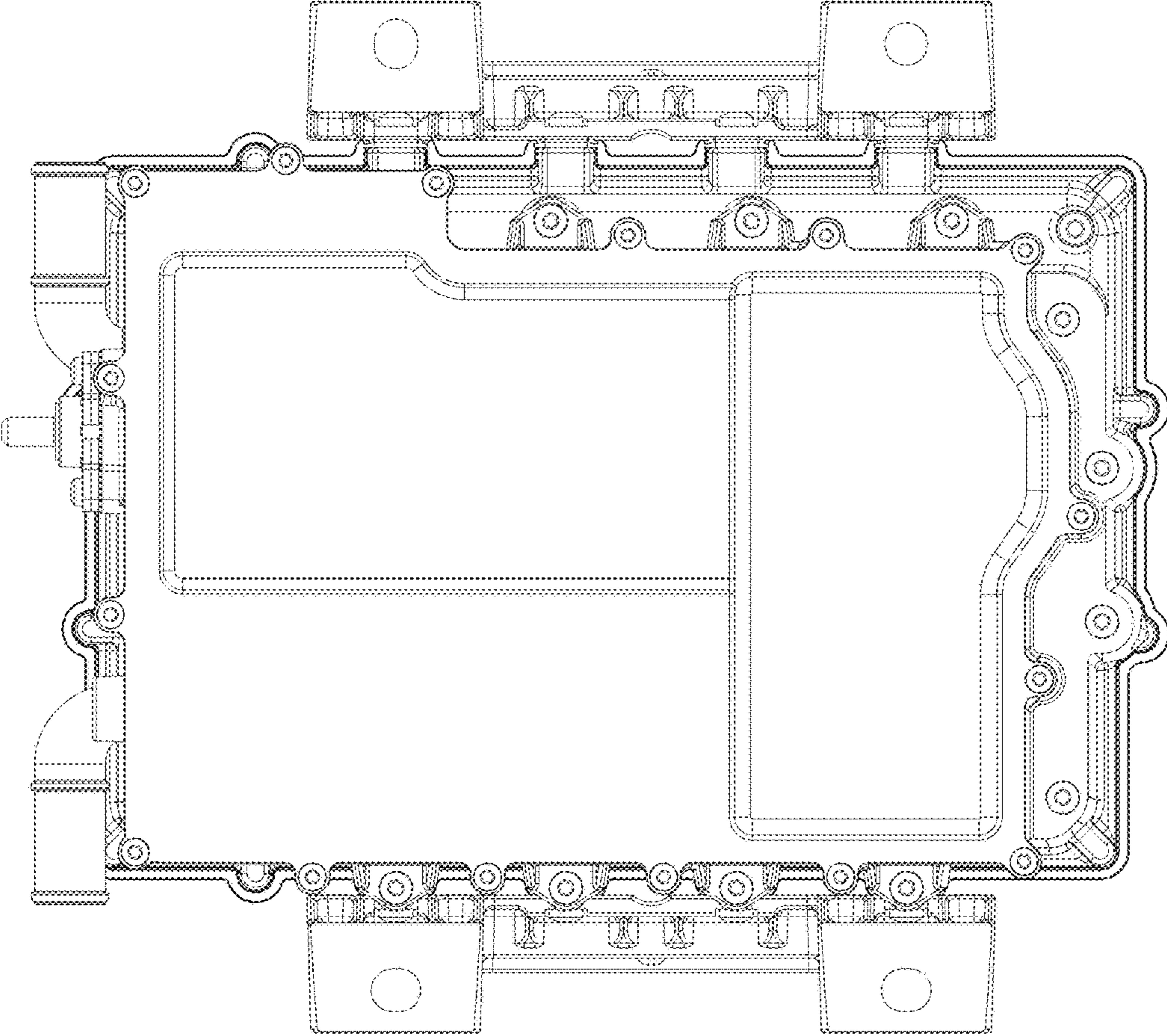


FIG 5

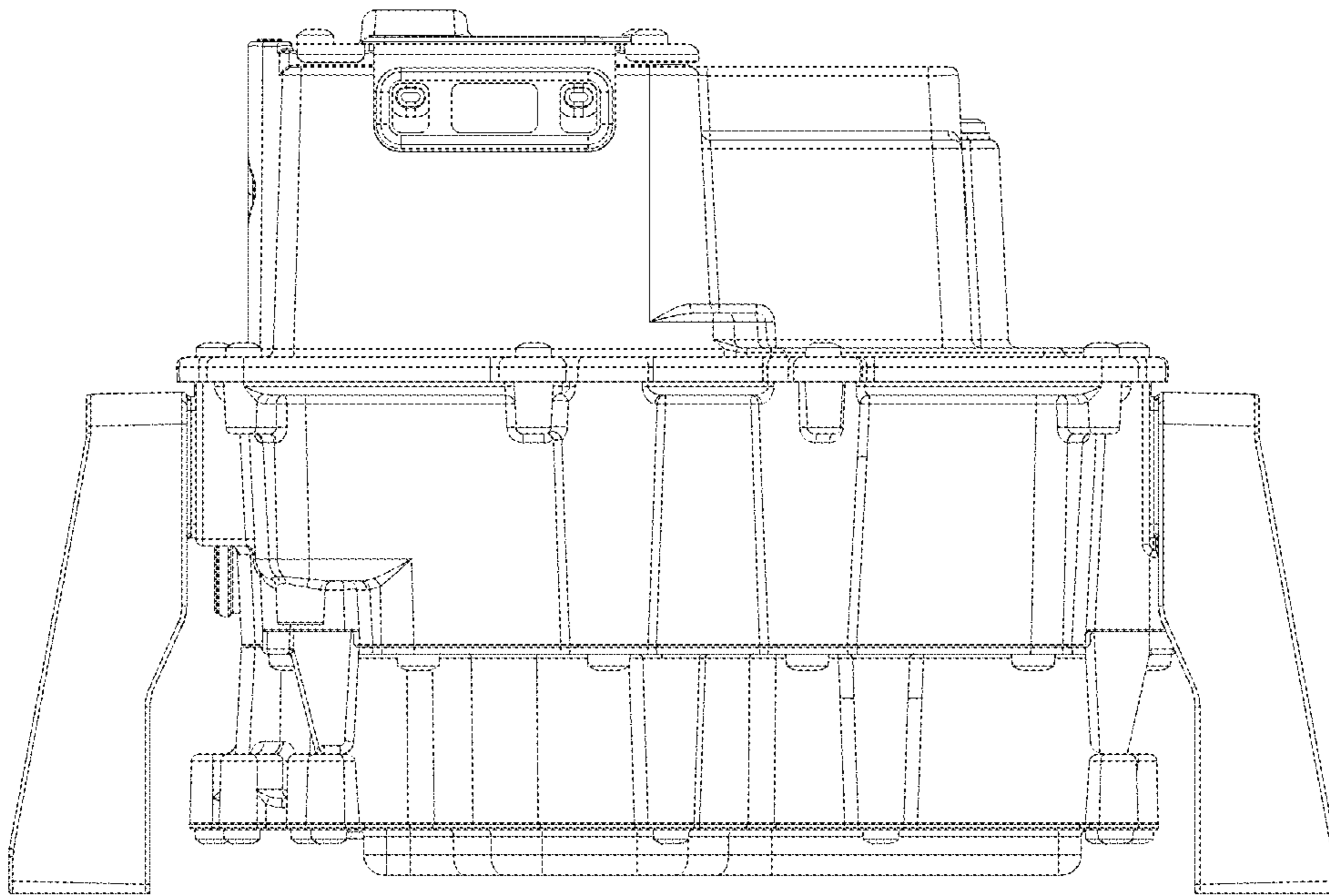


FIG 6

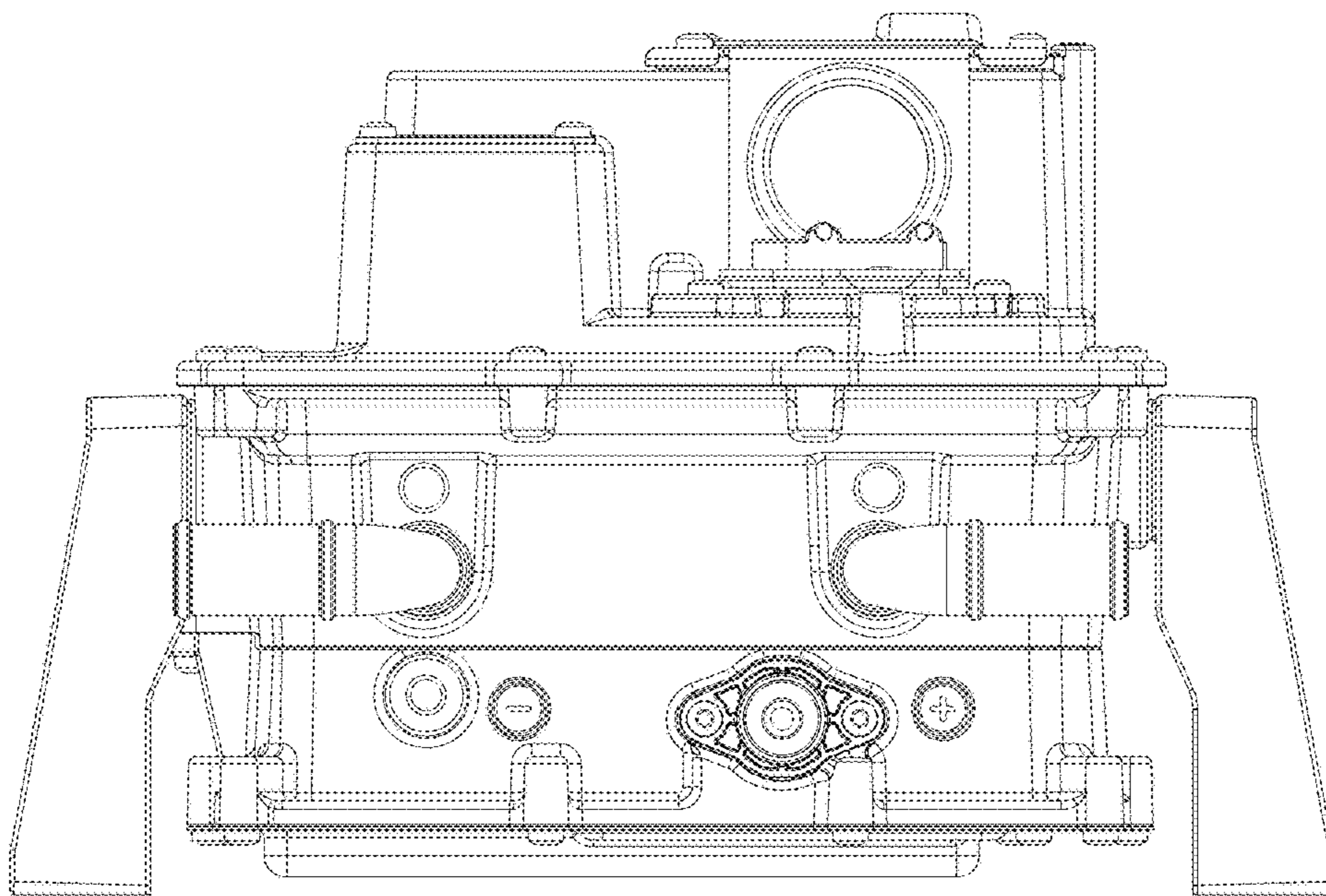


FIG 7

