



US00D811421S

(12) **United States Design Patent** (10) **Patent No.:** **US D811,421 S**
Caldwell (45) **Date of Patent:** **** Feb. 27, 2018**

(54) **DISPLAY SCREEN OR PORTION THEREOF WITH A GRAPHICAL USER INTERFACE**

(71) Applicant: **MX Technologies, Inc.**, Lehi, UT (US)

(72) Inventor: **Ryan Caldwell**, Lehi, UT (US)

(73) Assignee: **MX TECHNOLOGIES, INC.**, Lehi, UT (US)

(**) Term: **15 Years**

(21) Appl. No.: **29/578,619**

(22) Filed: **Sep. 22, 2016**

D699,248 S *	2/2014	Pearson	D14/485
D699,747 S *	2/2014	Pearson	D14/488
D699,750 S *	2/2014	Pearson	D14/488
8,719,132 B1	5/2014	Diggdon et al.		
D716,316 S *	10/2014	Behzadi	D14/485
D716,325 S *	10/2014	Brudnicki	D14/486
D721,087 S *	1/2015	Barling	D14/485
D726,741 S *	4/2015	Lee	D14/485
D735,733 S *	8/2015	Hontz, Jr.	D14/485
D746,852 S *	1/2016	Zhou	D14/487
D753,138 S *	4/2016	Kim	D14/485
D753,681 S *	4/2016	Lim	D14/485
D762,665 S	8/2016	Lee et al.		
D763,289 S *	8/2016	Mistry	D14/486
2001/0023402 A1	9/2001	Flynn		
2002/0095363 A1	7/2002	Sloan et al.		
2004/0225567 A1	11/2004	Mitchell et al.		

(Continued)

Related U.S. Application Data

(63) Continuation of application No. 13/573,357, filed on Sep. 11, 2012, now abandoned.

(51) **LOC (11) Cl.** **14-04**

(52) **U.S. Cl.**
USPC **D14/485**

(58) **Field of Classification Search**
USPC D14/485-495
CPC G06F 3/0482
See application file for complete search history.

(56) **References Cited**

U.S. PATENT DOCUMENTS

5,313,571 A	5/1994	Hirose et al.		
D396,455 S *	7/1998	Bier	D14/489
5,875,437 A	2/1999	Atkins		
6,532,450 B1	3/2003	Brown et al.		
7,263,527 B1	8/2007	Malcolm		
7,552,087 B2	6/2009	Schultz et al.		
7,992,102 B1 *	8/2011	De Angelo	G06F 3/0482 715/804
8,027,891 B2	9/2011	Preston et al.		
8,296,229 B1	10/2012	Yellin et al.		
8,380,623 B1	2/2013	Ley et al.		
D697,076 S *	1/2014	Oda	D14/486

OTHER PUBLICATIONS

“Refund.” Merriam-Webster.com. Merriam-Webster, 2015. Tues. Feb. 18, 2015.

(Continued)

Primary Examiner — Richelle G Shelton
(74) *Attorney, Agent, or Firm* — Kunzler, PC

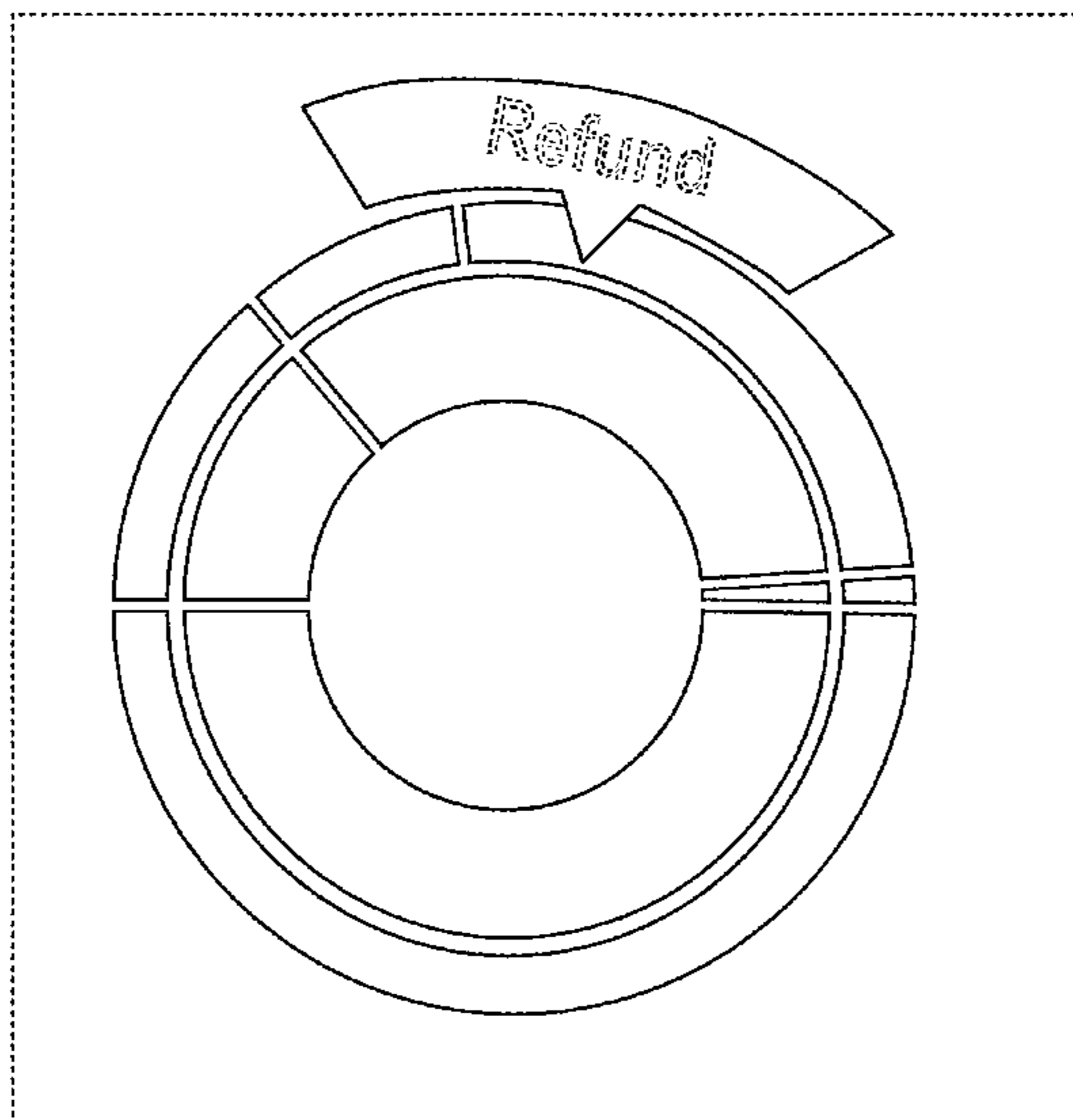
(57) **CLAIM**

The ornamental design for a display screen or portion thereof with a graphical user interface, as shown and described.

DESCRIPTION

The FIGURE is a front view of a display screen or portion thereof with a graphical user interface. The broken lines shown in the FIGURE represent the display screen or portion thereof and the remainder of the graphical user interface that form no part of the claimed design.

1 Claim, 1 Drawing Sheet



(56)

References Cited

U.S. PATENT DOCUMENTS

2006/0224475 A1 10/2006 Kramer et al.
 2007/0005477 A1 1/2007 McAtamney
 2007/0174163 A1 7/2007 Griffin
 2007/0260532 A1 11/2007 Blake, III
 2008/0033876 A1 2/2008 Goldman et al.
 2008/0046347 A1 2/2008 Smith et al.
 2008/0215455 A1 9/2008 Leggett et al.
 2008/0245854 A1 10/2008 Monden
 2009/0019397 A1* 1/2009 Buffet G06F 3/0482
 715/837
 2009/0030819 A1 1/2009 VanLeeuwen
 2009/0204938 A1 8/2009 Schindler et al.
 2009/0228381 A1 9/2009 Mik et al.
 2009/0271287 A1 10/2009 Halpern
 2009/0276368 A1 11/2009 Martin et al.
 2010/0095235 A1 4/2010 Bennett et al.
 2010/0162152 A1 6/2010 Allyn et al.
 2010/0257066 A1 10/2010 Jones et al.
 2010/0257094 A1 10/2010 Kumar et al.
 2010/0268629 A1 10/2010 Ross et al.
 2010/0274830 A1 10/2010 Stever
 2010/0306095 A1 12/2010 Olson et al.
 2011/0071886 A1 3/2011 Schnur et al.
 2011/0107265 A1 5/2011 Buchanan et al.
 2011/0184822 A1 7/2011 Matkovic
 2011/0320294 A1 12/2011 Votaw et al.
 2011/0320325 A1 12/2011 Preston et al.
 2012/0130869 A1 5/2012 Shergill et al.
 2012/0130870 A1 5/2012 Shergill et al.
 2012/0150736 A1 6/2012 Dickerson et al.
 2012/0221446 A1 8/2012 Grigg et al.
 2012/0240064 A1 9/2012 Ramsay

2012/0278148 A1 11/2012 Clemmons
 2013/0006824 A1 1/2013 Malsonneuve
 2013/0013469 A1 1/2013 Krakowiecki et al.
 2013/0019208 A1* 1/2013 Kotler G06F 3/04812
 715/835
 2013/0030994 A1 1/2013 Calman et al.
 2013/0041792 A1 2/2013 King et al.
 2013/0041819 A1 2/2013 Khasho
 2013/0054460 A1 2/2013 Hanson et al.
 2013/0103580 A1 4/2013 Ventura
 2013/0106708 A1 5/2013 Mudu et al.
 2013/0106830 A1 5/2013 de Loera
 2014/0006198 A1 1/2014 Daly et al.
 2014/0012722 A1 1/2014 Keld
 2014/0019317 A1 1/2014 Casares et al.
 2014/0244006 A1 8/2014 Lee
 2014/0324448 A1 10/2014 Lacy
 2016/0103886 A1 4/2016 Prophete et al.
 2016/0337346 A1* 11/2016 Momchilov G06F 21/34
 2017/0109026 A1 4/2017 Ismailov et al.

OTHER PUBLICATIONS

“Rebate.” Merriam-Webster.com. Merriam-Webster, 2015. Tues. Feb. 18, 2015.
 “Reimburse.” Merriam-Webster.com. Merriam-Webster, 2015. Tues. Feb. 18, 2015.
 U.S. Appl. No. 13/573,357, Office Action, dated Feb. 25, 2015.
 U.S. Appl. No. 13/573,357, Office Action, dated Sep. 9, 2015.
 U.S. Appl. No. 13/573,357, Office Action, dated Jan. 26, 2016.
 U.S. Appl. No. 13/573,357, Final Office Action, dated Jun. 22, 2016.
 U.S. Appl. No. 29/578,616 Office Action dated Jul. 25, 2017.

* cited by examiner

