



US00D811417S

(12) **United States Design Patent** (10) **Patent No.:** **US D811,417 S**
Oakley (45) **Date of Patent:** **** Feb. 27, 2018**

(54) **KEYBOARD**

(71) Applicant: **Intel Corporation**, Santa Clara, CA
(US)

(72) Inventor: **Nicholas W. Oakley**, Portland, OR
(US)

(73) Assignee: **Intel Corporation**, Santa Clara, CA
(US)

(**) Term: **15 Years**

(21) Appl. No.: **29/505,643**

(22) Filed: **Dec. 24, 2015**

(51) **LOC (11) Cl.** **14-02**

(52) **U.S. Cl.**
USPC **D14/455**

(58) **Field of Classification Search**
USPC D18/1, 2, 7; D14/240, 168, 318, 341,
D14/391-399, 455, 456, 315, 434;
400/484-489
CPC G06F 1/16; G06F 1/1616; G06F 1/162;
G06F 1/1601; G06F 1/1626; G06F
3/0202; G06F 1/1632; G06F 1/1654;
G09B 13/04

See application file for complete search history.

(56) **References Cited**

U.S. PATENT DOCUMENTS

D684,983 S * 6/2013 Wu D14/455
D728,583 S * 5/2015 Choi D14/455

D746,819 S * 1/2016 Feiz D14/392
D775,130 S * 12/2016 Otani D14/391
D776,116 S * 1/2017 Akana D14/392
D779,490 S * 2/2017 Akana D14/392
D789,933 S * 6/2017 Kim D14/391

* cited by examiner

Primary Examiner — Lakiya Rogers

Assistant Examiner — Harold E Blackwell, II

(74) *Attorney, Agent, or Firm* — Patent Capital Group

(57) **CLAIM**

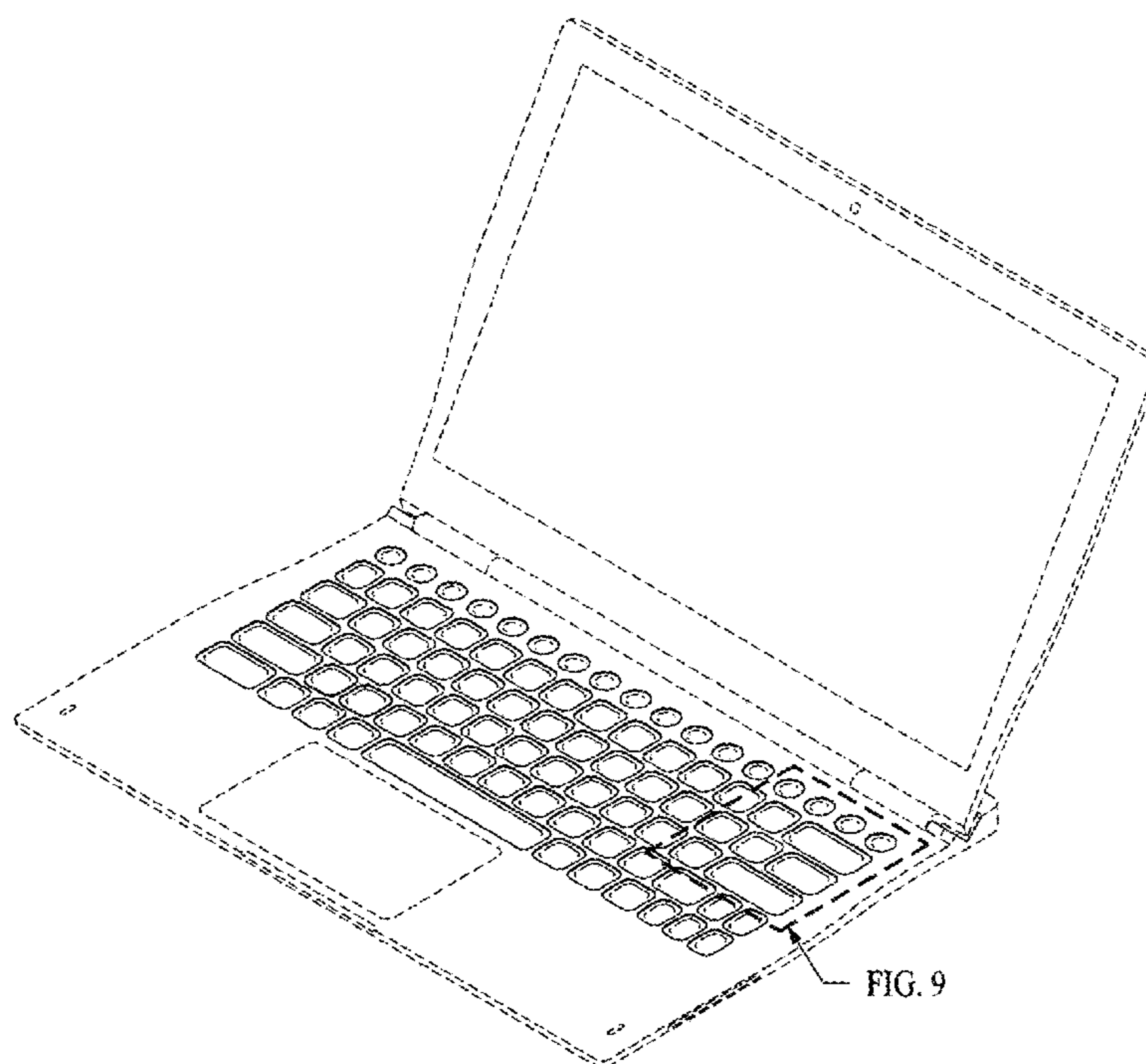
The ornamental design for a keyboard, as shown and described in the following figures.

DESCRIPTION

FIG. 1 is a perspective view of a keyboard.
FIG. 2 is a front view of a laptop with a keyboard.
FIG. 3 is a back view of a laptop with a keyboard.
FIG. 4 is a side view of a laptop with a keyboard.
FIG. 5 is a side view of a laptop with a keyboard.
FIG. 6 is a top view of a laptop with a keyboard.
FIG. 7 is a bottom view of a laptop with a keyboard.
FIG. 8 is a perspective view of a closed laptop with a keyboard.
FIG. 9 is a close up view of keys of a keyboard.
FIG. 10 is a cross sectional view of keys of a keyboard; and,
FIG. 11 is a another cross sectional view of keys of a keyboard.

The broken lines in the drawings illustrate portions of a keyboard which form no part of the claimed design.

1 Claim, 10 Drawing Sheets



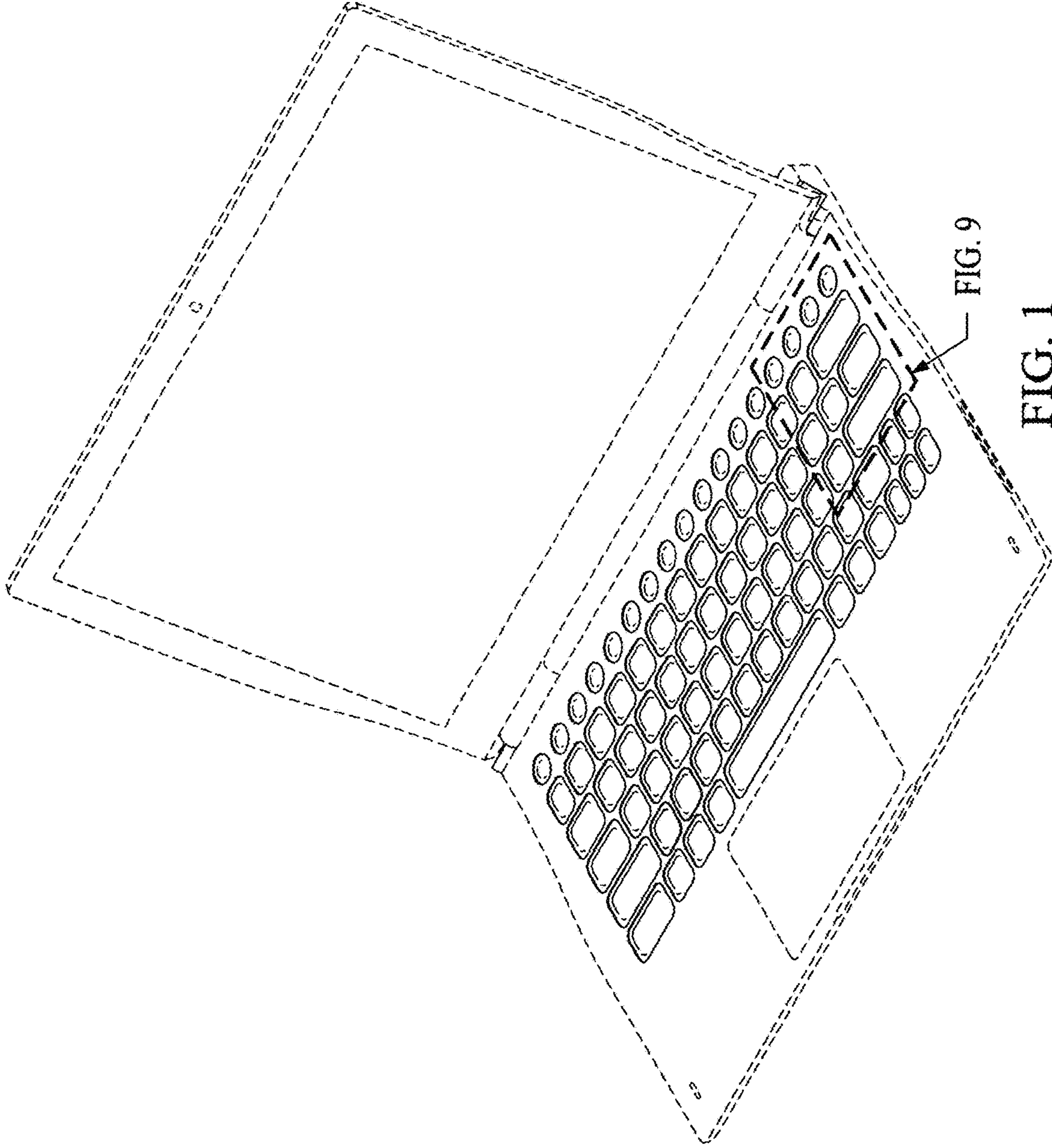


FIG. 1

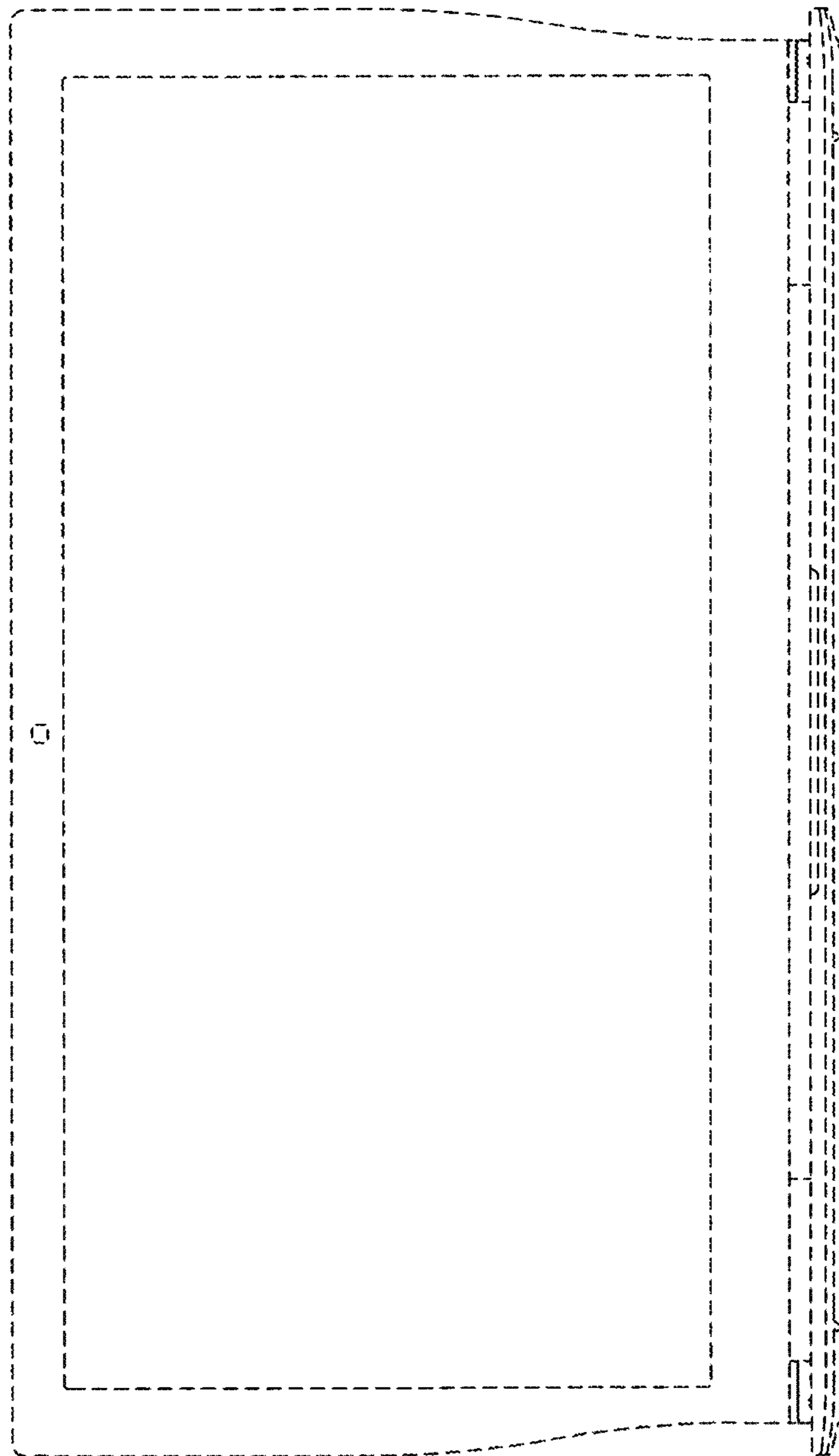


FIG. 2

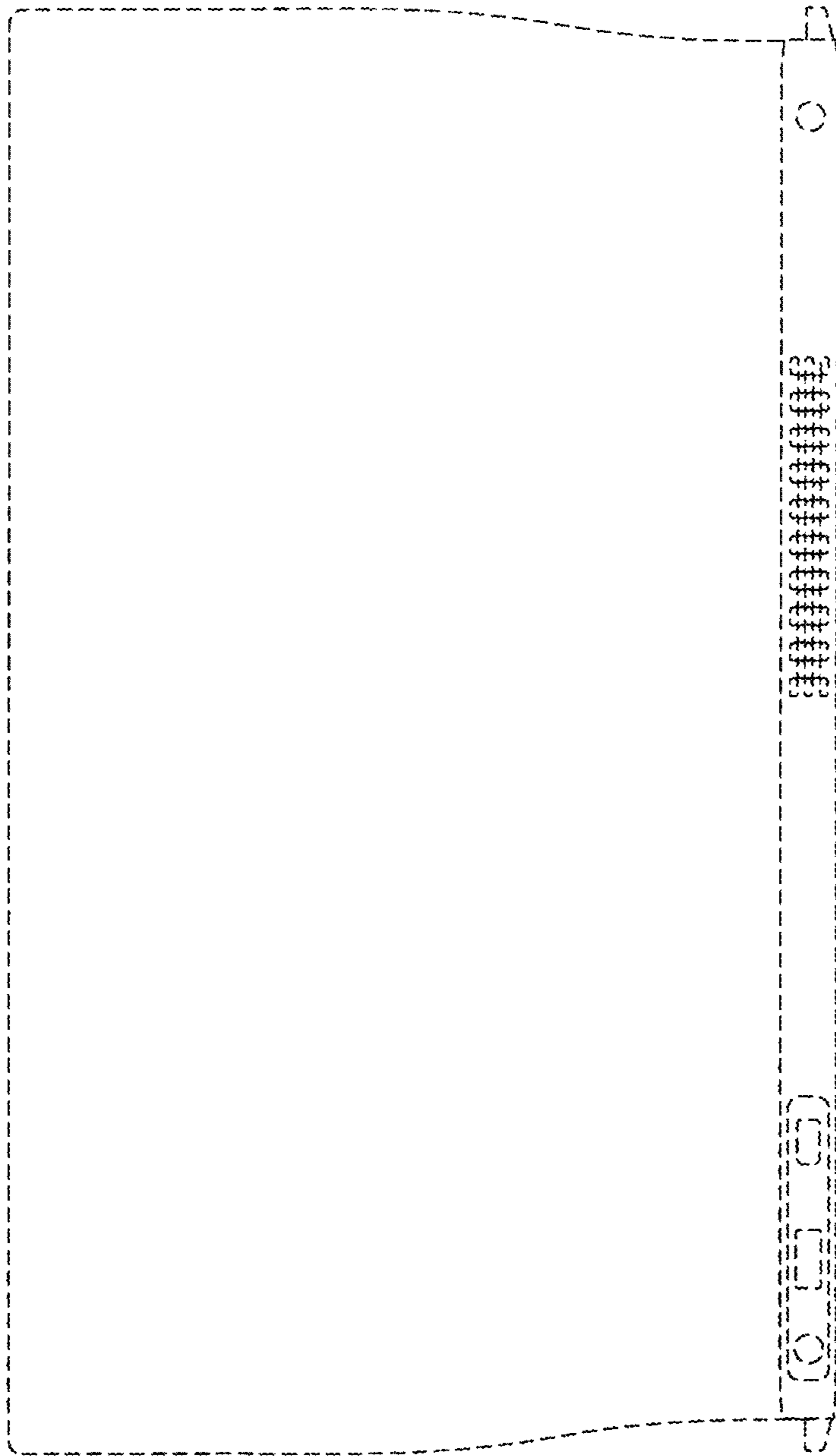


FIG. 3

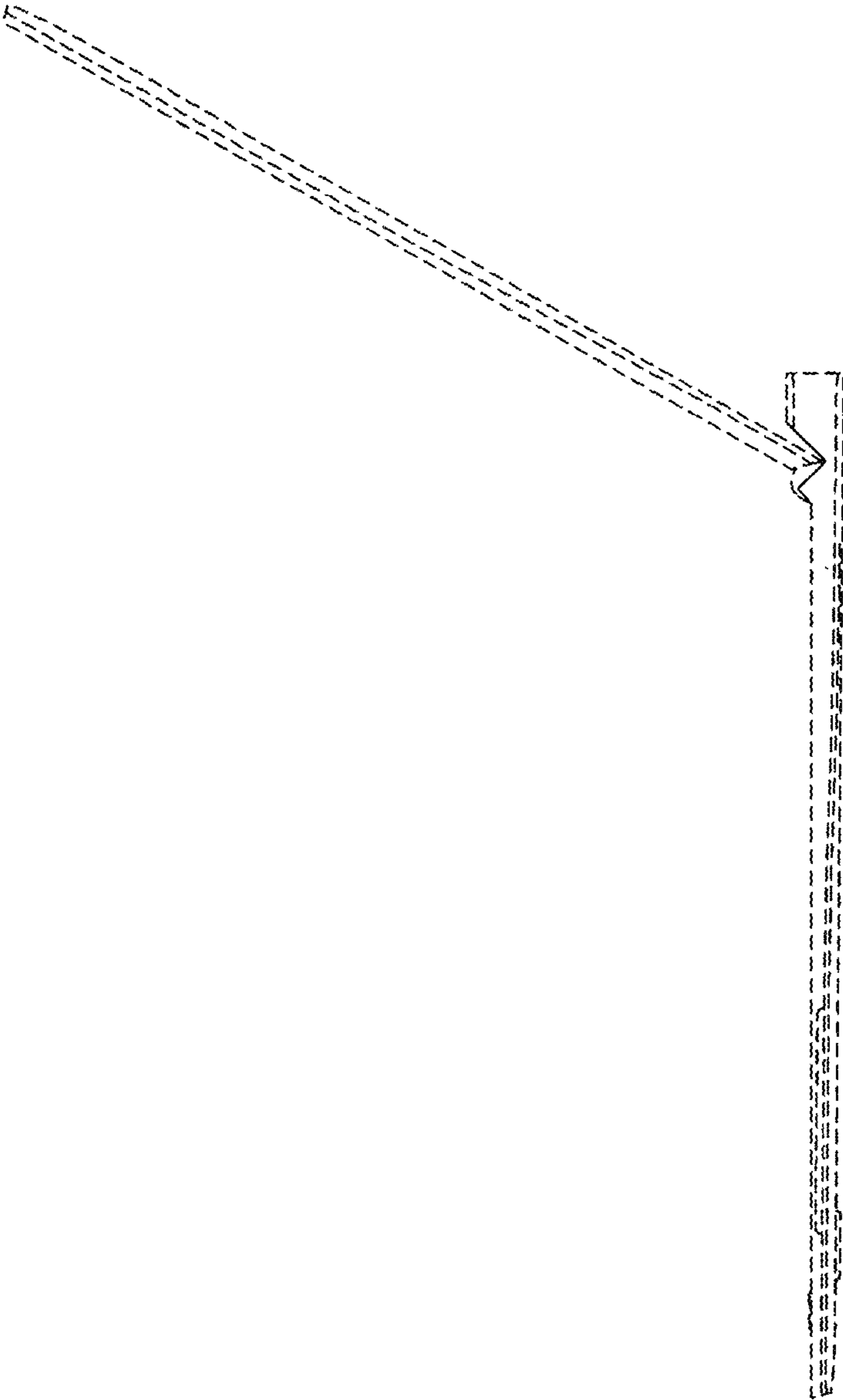


FIG. 4

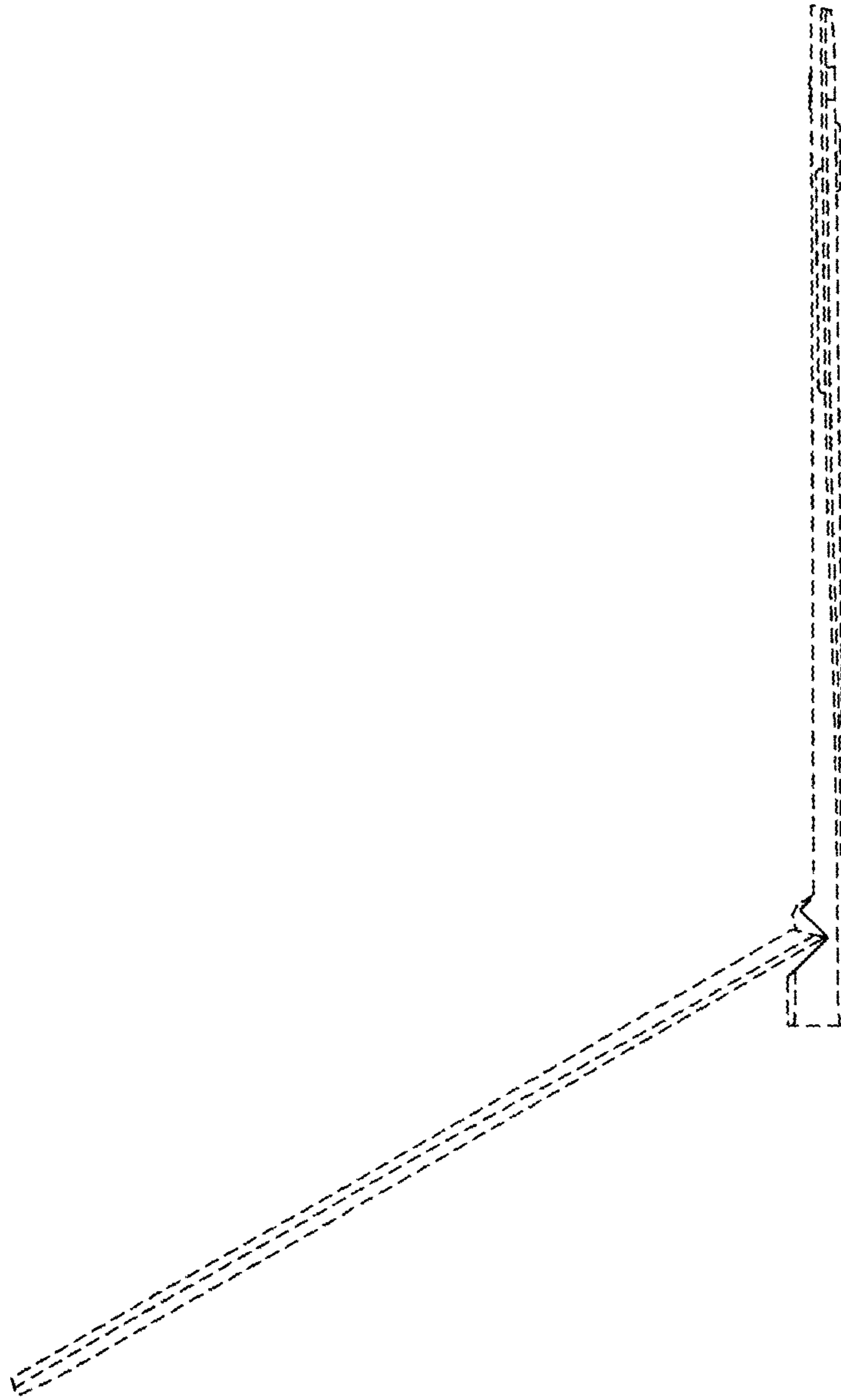


FIG. 5

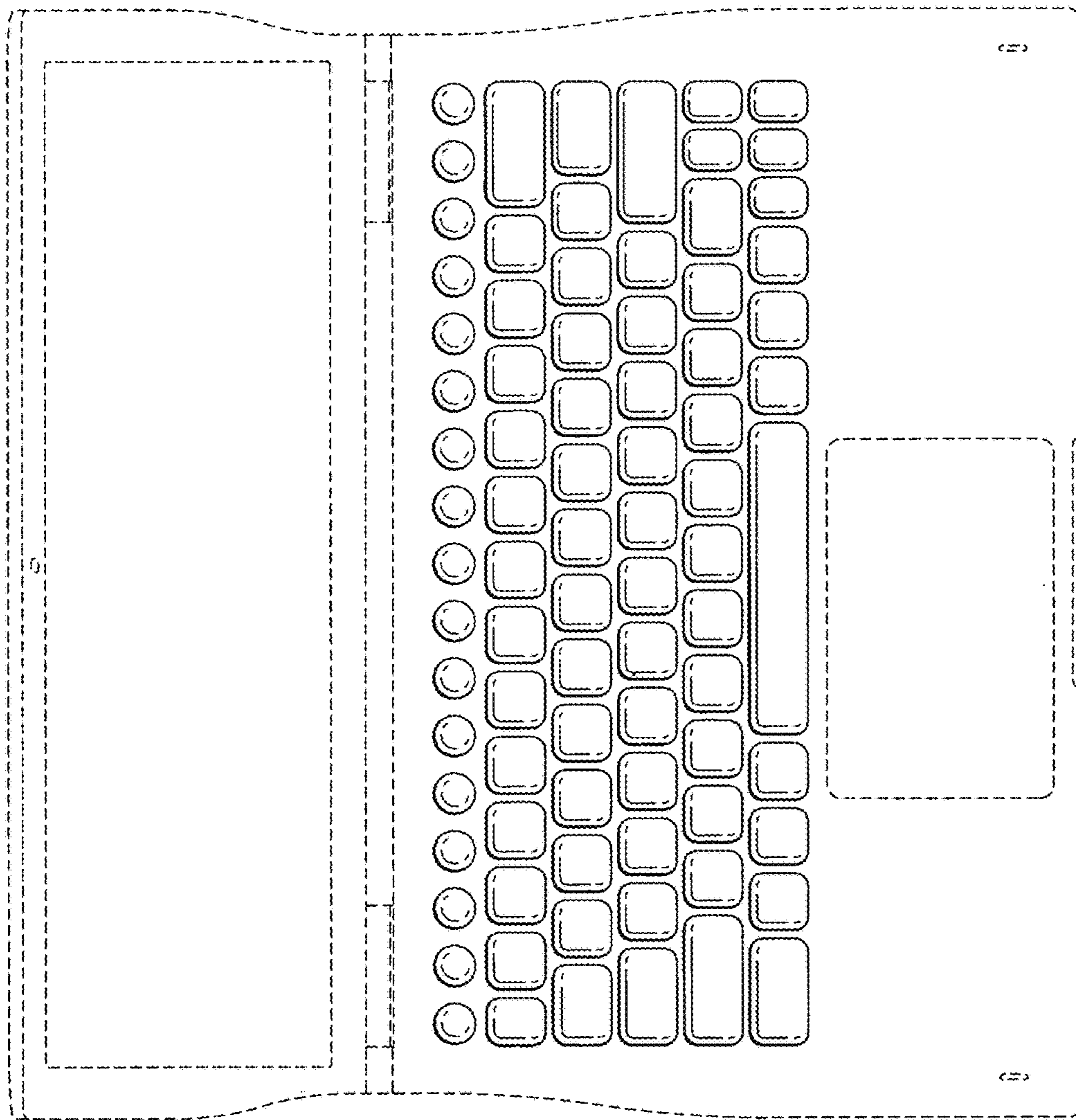


FIG. 6

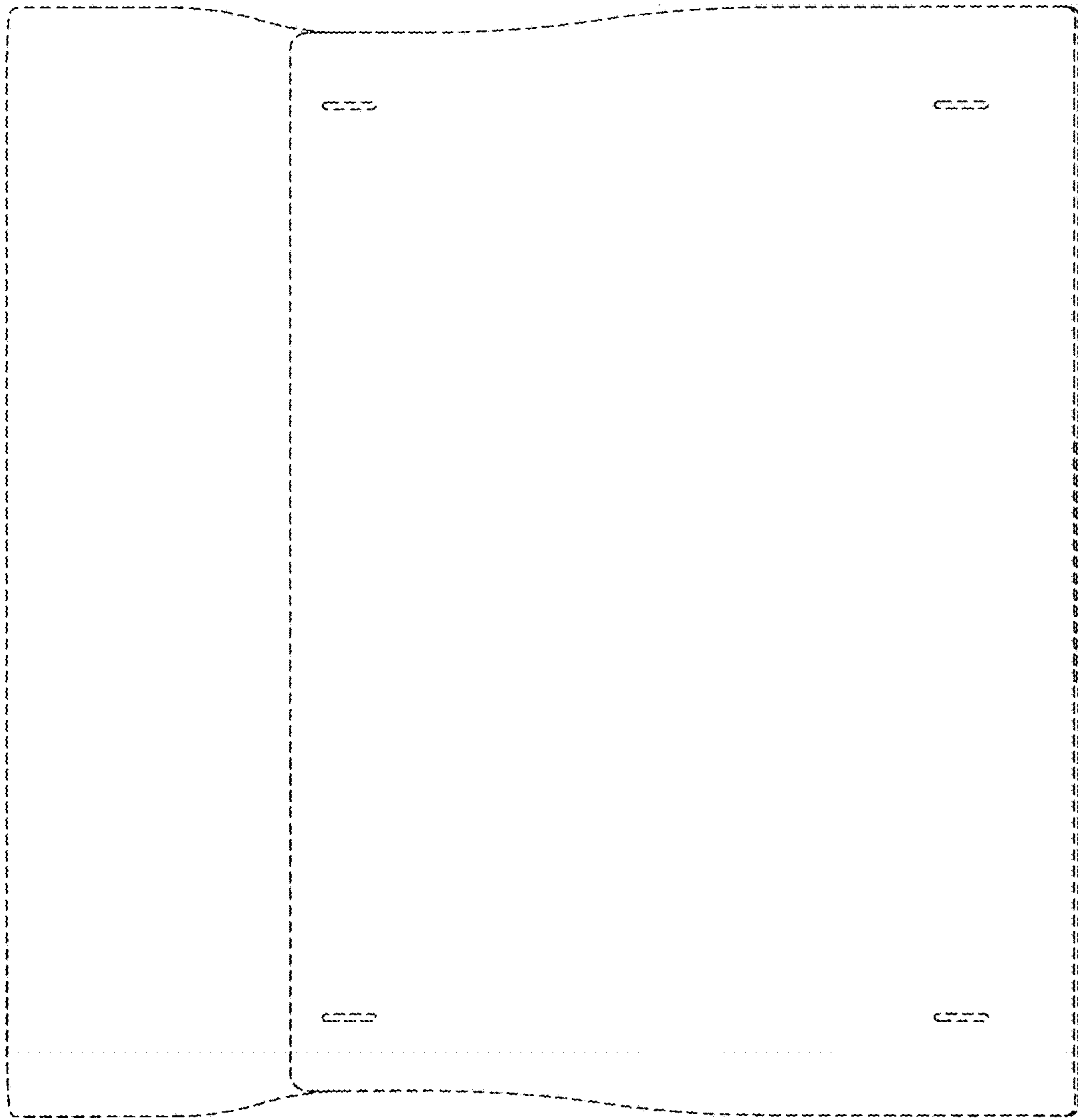


FIG. 7

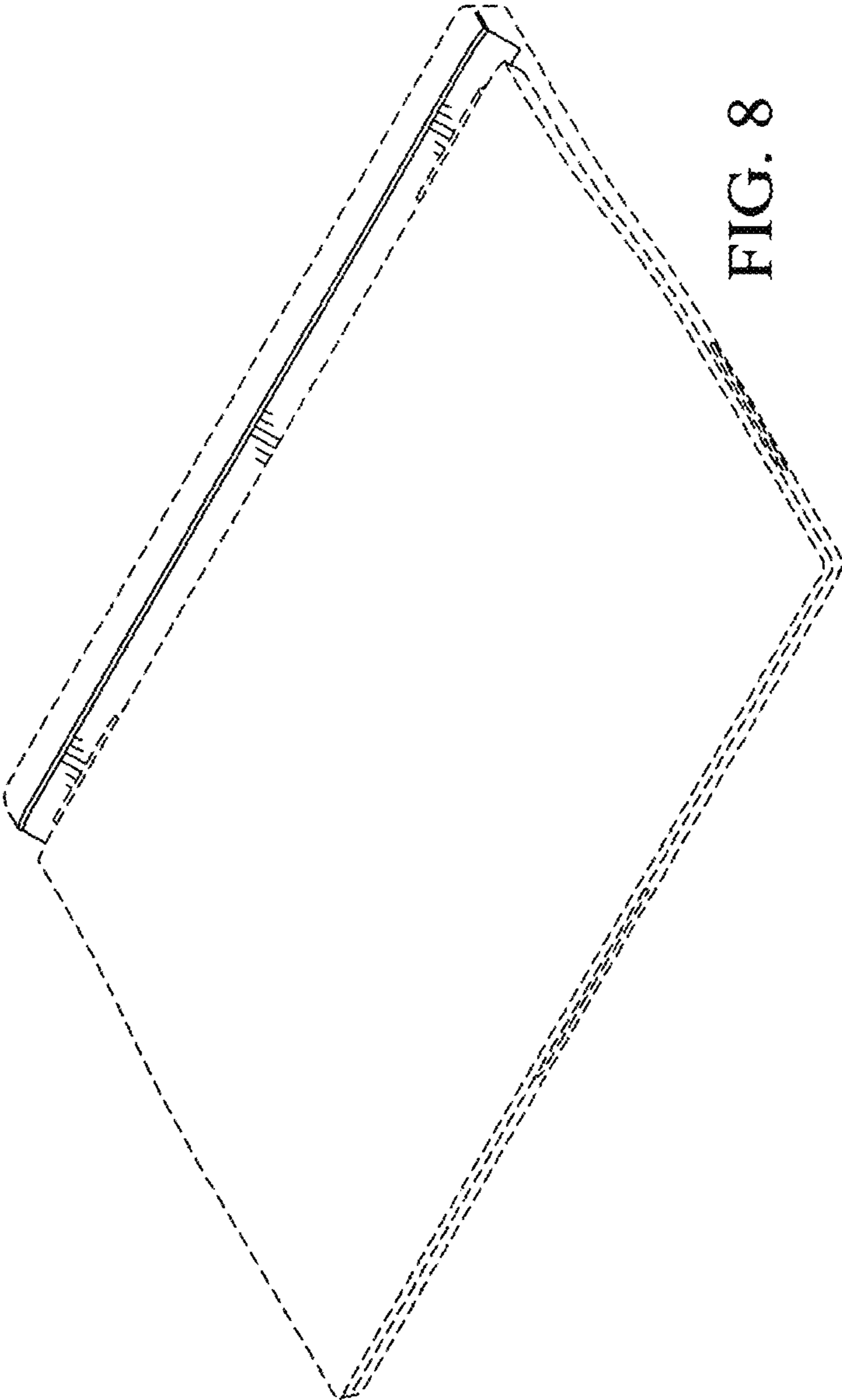


FIG. 8

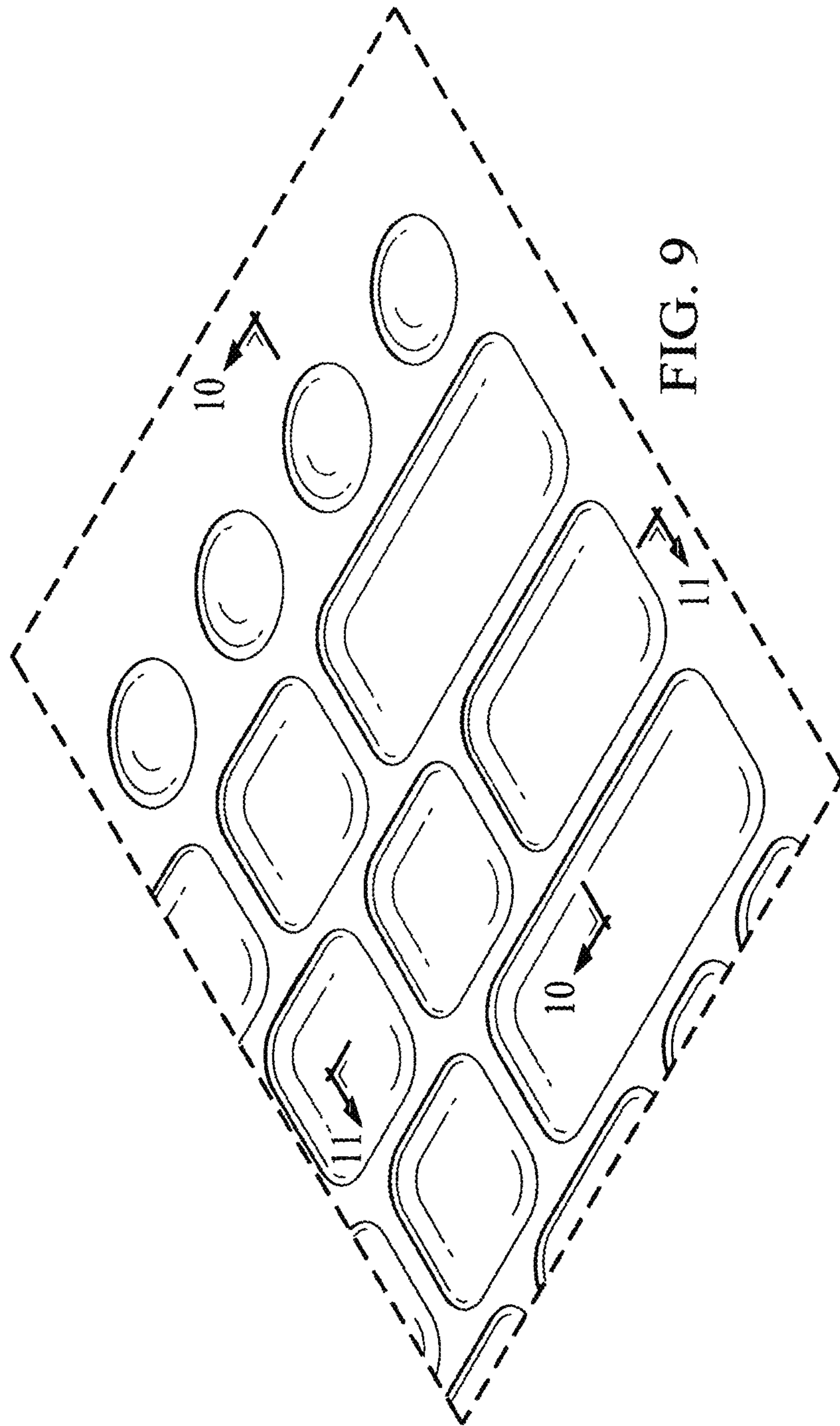


FIG. 10

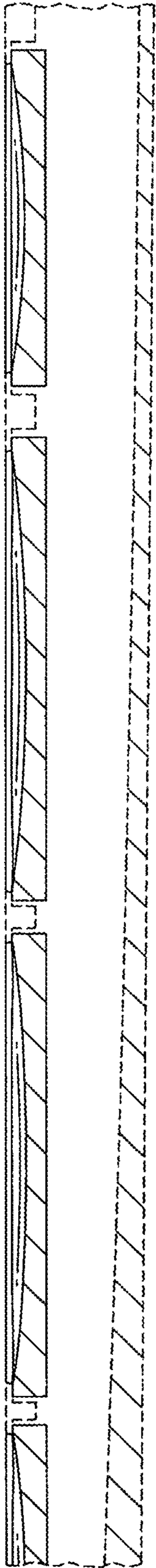


FIG. 11

