



US00D811415S

(12) **United States Design Patent** (10) **Patent No.:** **US D811,415 S**
Nelson et al. (45) **Date of Patent:** **** Feb. 27, 2018**

(54) **STAND FOR HANDHELD ELECTRONIC DEVICE**

(56) **References Cited**

U.S. PATENT DOCUMENTS

(71) Applicant: **Mobile Tech, Inc.**, Lake Oswego, OR (US)

D309,307 S	7/1990	Sigurdson
D337,333 S	7/1993	Turk
D495,536 S	9/2004	Lucht
D522,010 S	5/2006	Piazza et al.
D545,825 S	7/2007	Richter
D545,826 S	7/2007	Richter
D562,331 S	2/2008	Li
D567,810 S	4/2008	Yeh
D576,615 S	9/2008	Richter
D587,188 S	2/2009	Mo
D589,964 S	4/2009	Heggland et al.
D594,251 S	6/2009	Leyden
D602,024 S	10/2009	Richter

(72) Inventors: **Ed Nelson**, Hillsboro, OR (US); **Mitch Hose**, Hillsboro, OR (US); **Lincoln Wilde**, Hillsboro, OR (US); **Mike Miles**, Hillsboro, OR (US); **Kris Schatz**, Hillsboro, OR (US); **Travis Hooper**, Hillsboro, OR (US)

(73) Assignee: **MOBILE TECH, INC.**, Lake Oswego, OR (US)

(Continued)

(**) Term: **15 Years**

FOREIGN PATENT DOCUMENTS

(21) Appl. No.: **29/612,569**

GB	4031459	8/2013
GB	4042068	7/2015

(22) Filed: **Aug. 2, 2017**

Primary Examiner — Angela J Lee

(74) *Attorney, Agent, or Firm* — Thompson Coburn LLP

Related U.S. Application Data

(63) Continuation of application No. 29/605,791, filed on May 30, 2017.

(51) **LOC (11) Cl.** **08-07**

(52) **U.S. Cl.**
USPC **D14/447**

(58) **Field of Classification Search**
USPC D14/447, 432, 434, 439, 440, 451, 452, D14/457, 239; D8/363, 373, 380, 406.3, D8/406.4, 406.5, 406.6, 349, 376; D12/415
CPC A47B 21/04; A47B 2097/006; A47B 2097/005; A47B 2023/049; A45C 2011/002; A45C 2011/003; F16M 2200/00; F16M 13/00

See application file for complete search history.

(57) **CLAIM**

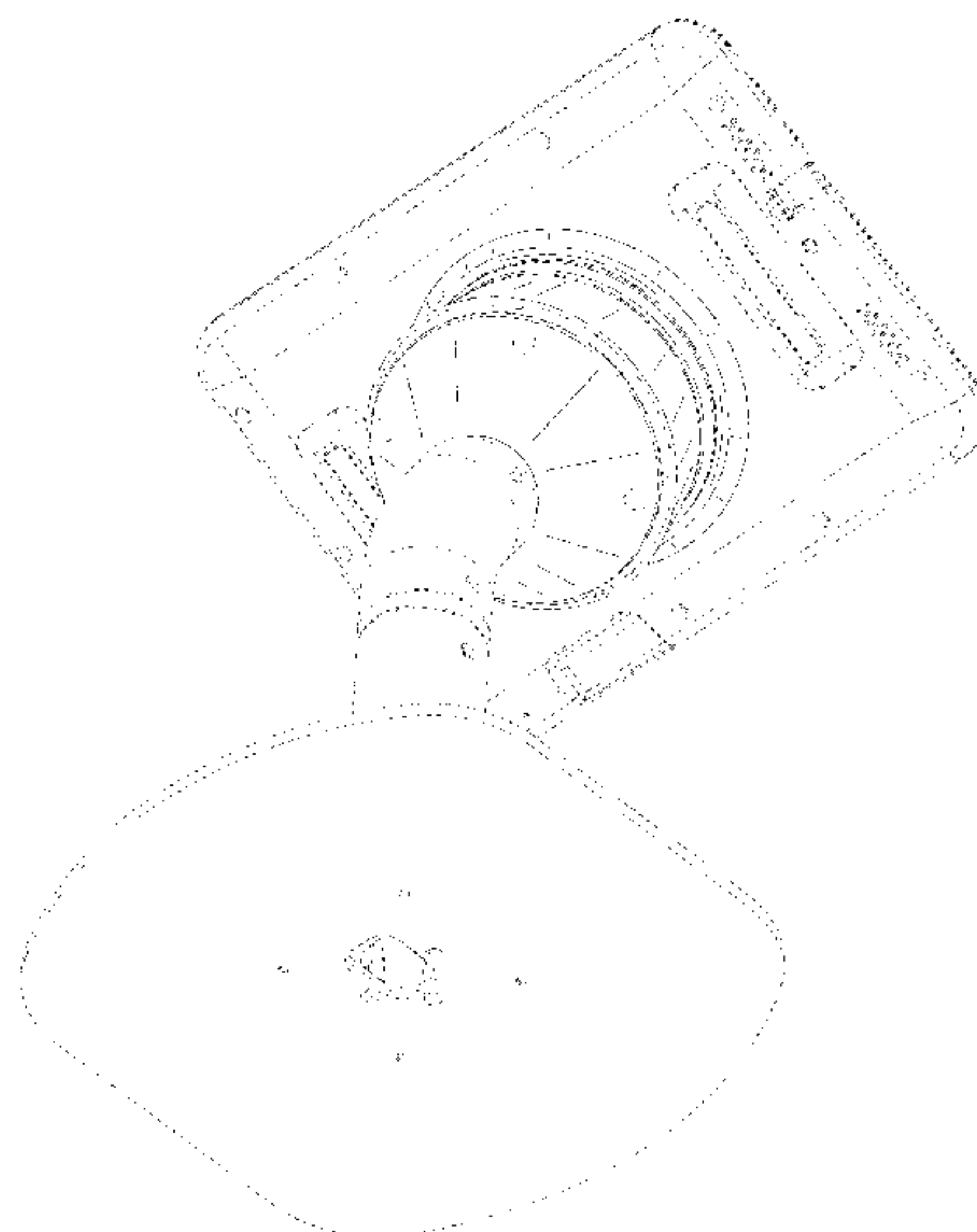
The ornamental design for a stand for handheld electronic device, as shown and described.

DESCRIPTION

FIG. 1 is a first perspective view of a stand for handheld electronic device showing our new design; FIG. 2 is a second perspective view thereof; FIG. 3 is a front view thereof; FIG. 4 is a rear view thereof; FIG. 5 is a left side view thereof; FIG. 6 is a right side view thereof; and, FIG. 7 is a top view thereof.

The broken lines immediately adjacent the shaded areas represent the bounds of the claimed design while all other broken lines are directed to environment and are for illustrative purposes only; the broken lines form no part of the claimed design.

1 Claim, 7 Drawing Sheets



(56)

References Cited

U.S. PATENT DOCUMENTS

D602,025 S 10/2009 Richter
 D607,844 S * 1/2010 Feldstein D13/168
 D614,613 S 4/2010 Kim et al.
 D619,586 S 7/2010 Richter
 D620,038 S 7/2010 Rix
 D629,405 S 12/2010 Crysell
 D641,773 S 7/2011 Rix
 D644,681 S 9/2011 Rix
 D663,306 S 7/2012 Barbieri
 D663,972 S 7/2012 Alexander et al.
 D671,545 S 11/2012 Guran
 D678,297 S 3/2013 Willkomm
 D682,281 S * 5/2013 Barnard D14/447
 D686,216 S 7/2013 Hachadorian et al.
 D687,441 S 8/2013 Janzen
 D690,306 S 9/2013 Malisse et al.
 D691,150 S 10/2013 Stener
 D691,839 S 10/2013 Dallenbach
 D693,352 S 11/2013 Gelsomini et al.
 D696,674 S 12/2013 Vogel
 D704,156 S 5/2014 Lee et al.
 D704,713 S 5/2014 Liniger
 D709,066 S 7/2014 Byun
 D709,074 S 7/2014 Tsui et al.
 D724,072 S 3/2015 Jiang et al.

D724,598 S 3/2015 Gelsomini et al.
 D727,333 S * 4/2015 Shih D14/447
 D729,222 S 5/2015 Grziwok et al.
 D733,156 S 6/2015 Choi et al.
 D733,157 S 6/2015 Kim et al.
 D733,526 S 7/2015 Delrue et al.
 D736,217 S * 8/2015 Wang D14/451
 D744,621 S 12/2015 Shavatt et al.
 D748,098 S 1/2016 Khodapanah et al.
 D749,080 S 2/2016 Su et al.
 D751,565 S * 3/2016 Gross D14/451
 D756,152 S 5/2016 Schwalbach et al.
 D771,614 S 11/2016 Chang
 D771,734 S * 11/2016 Samuels D16/245
 D772,739 S 11/2016 Browning et al.
 D773,325 S * 12/2016 Browning D10/74
 D774,037 S 12/2016 Kang et al.
 D784,978 S * 4/2017 Hobbs D14/253
 D792,413 S 7/2017 Floersch et al.
 D792,414 S 7/2017 Floersch et al.
 D794,607 S * 8/2017 Srouf D14/217
 D795,882 S * 8/2017 Maldonado D14/447
 D797,748 S * 9/2017 Robinson D14/447
 D798,874 S * 10/2017 Klabukov D14/447
 2011/0255219 A1 * 10/2011 Ou F16M 11/10
 361/679.01
 2014/0059828 A1 3/2014 Reynolds et al.

* cited by examiner

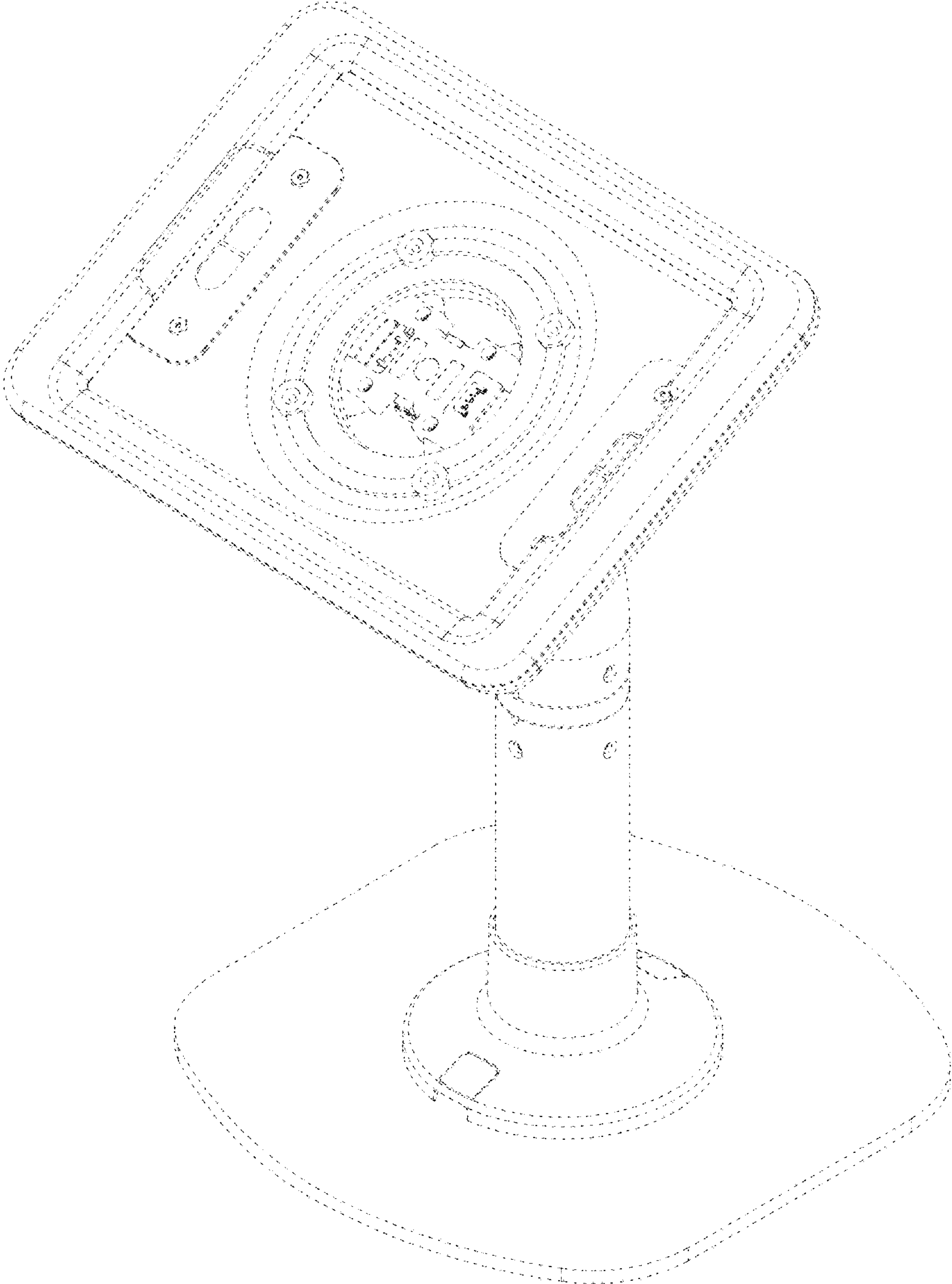


FIG. 1

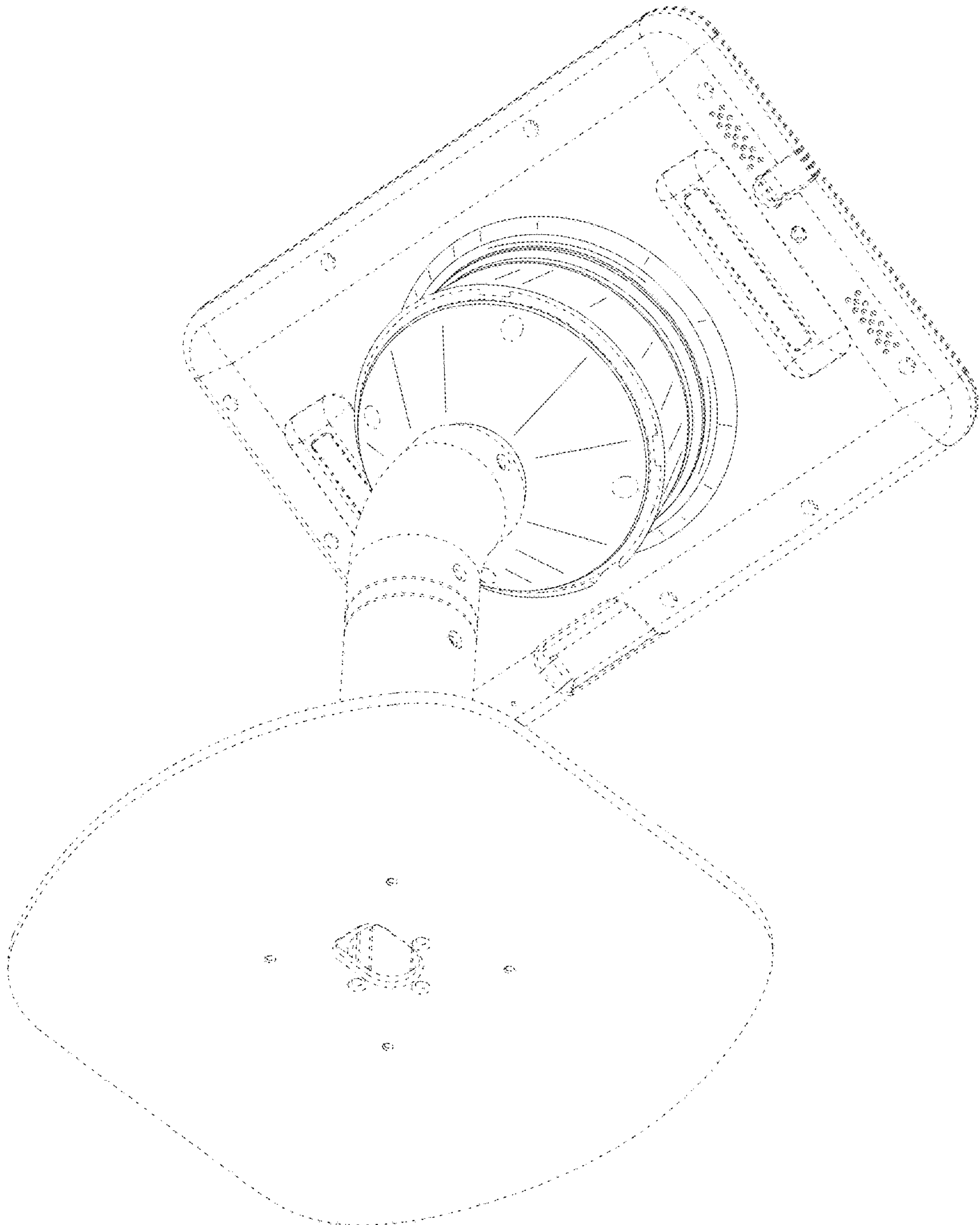


FIG. 2

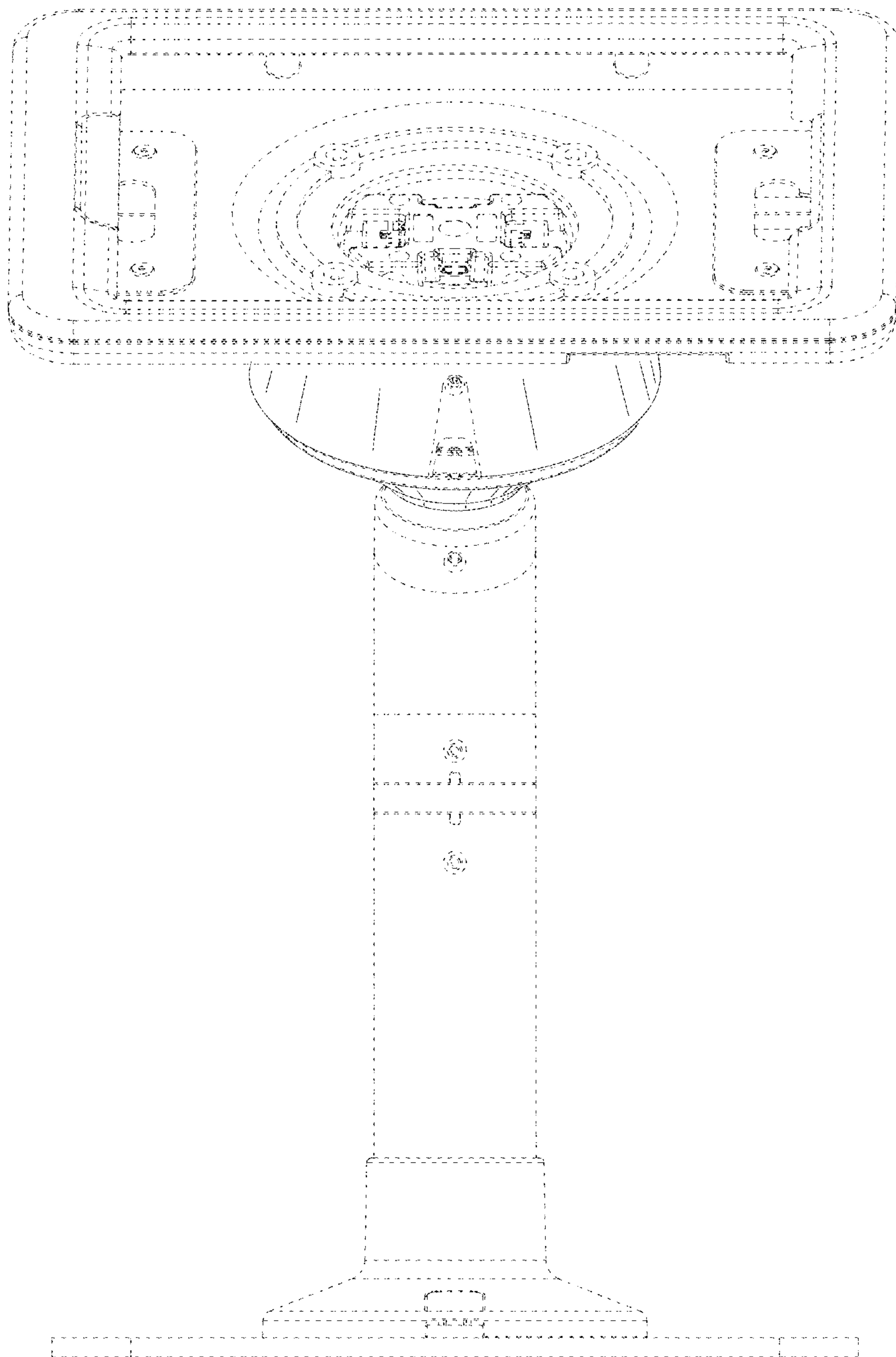


FIG. 3

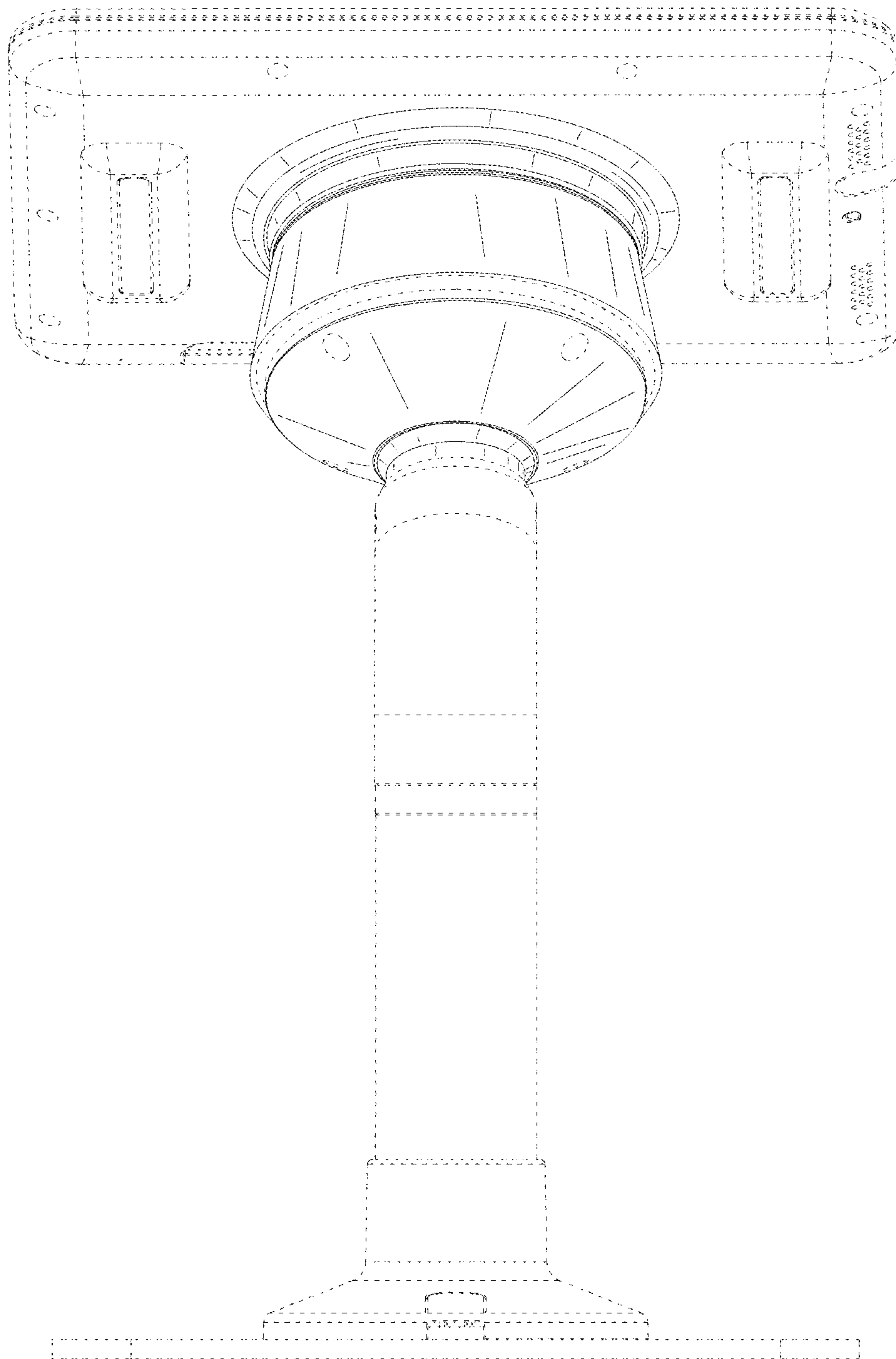


FIG. 4

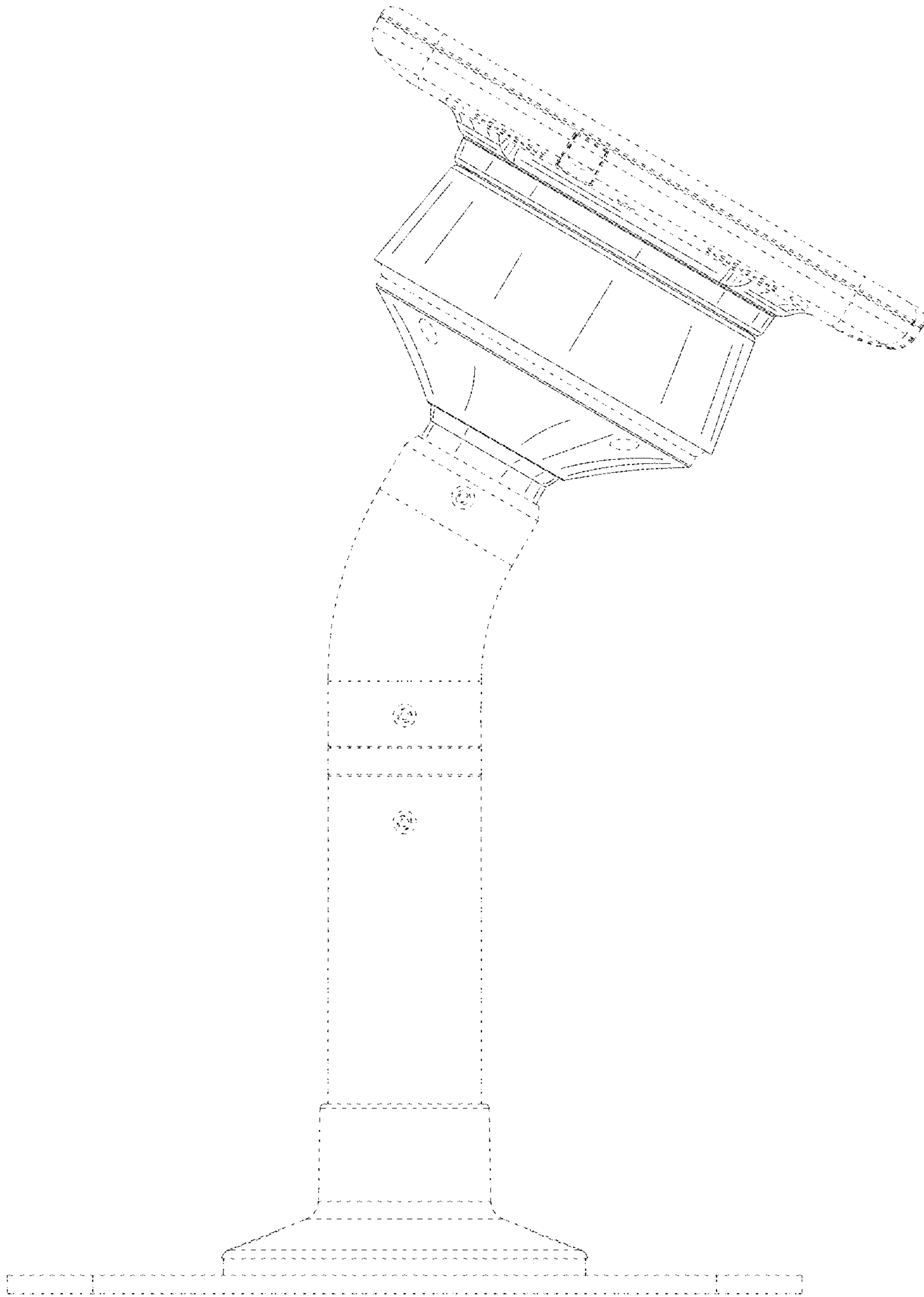


FIG. 5

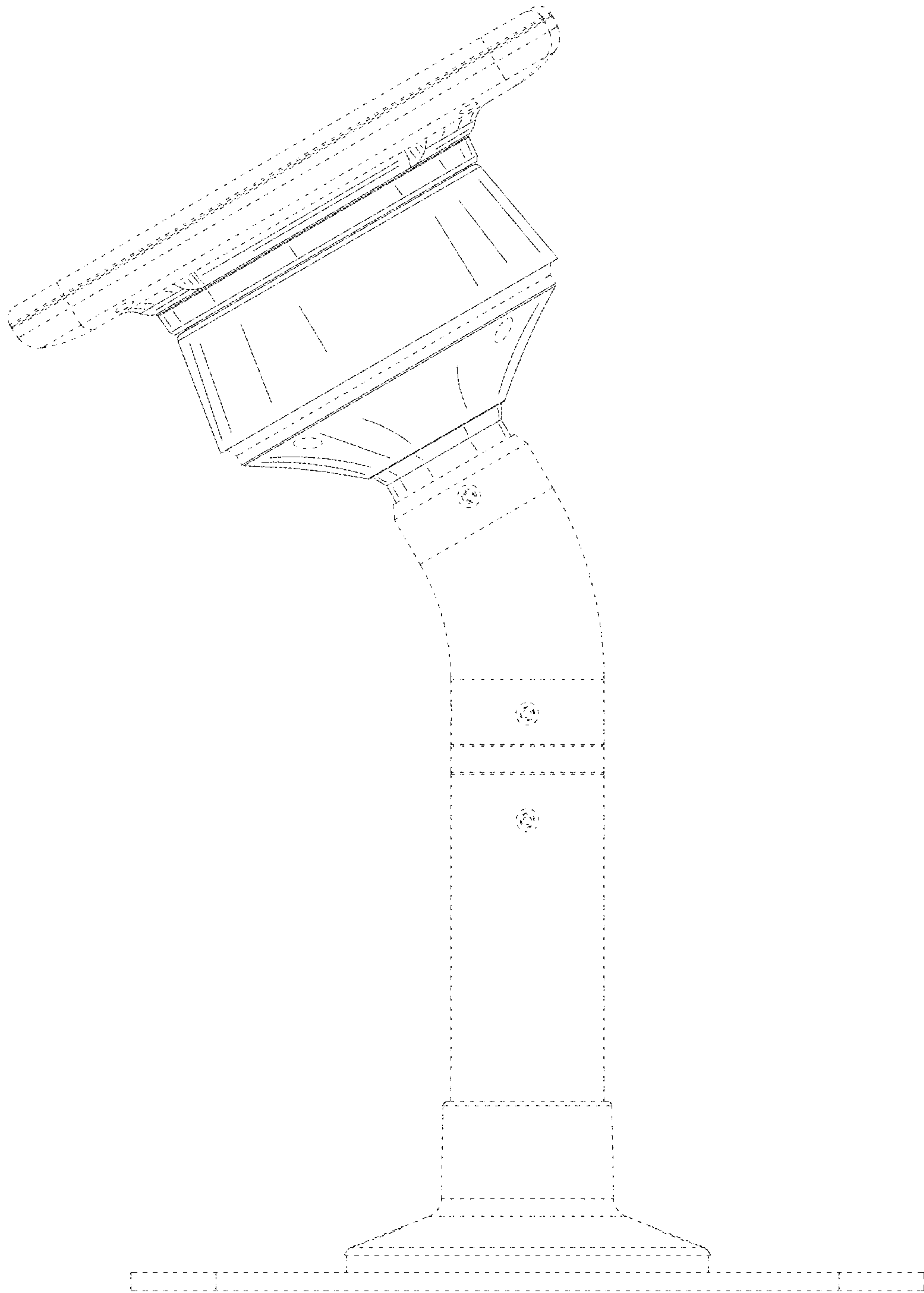


FIG. 6

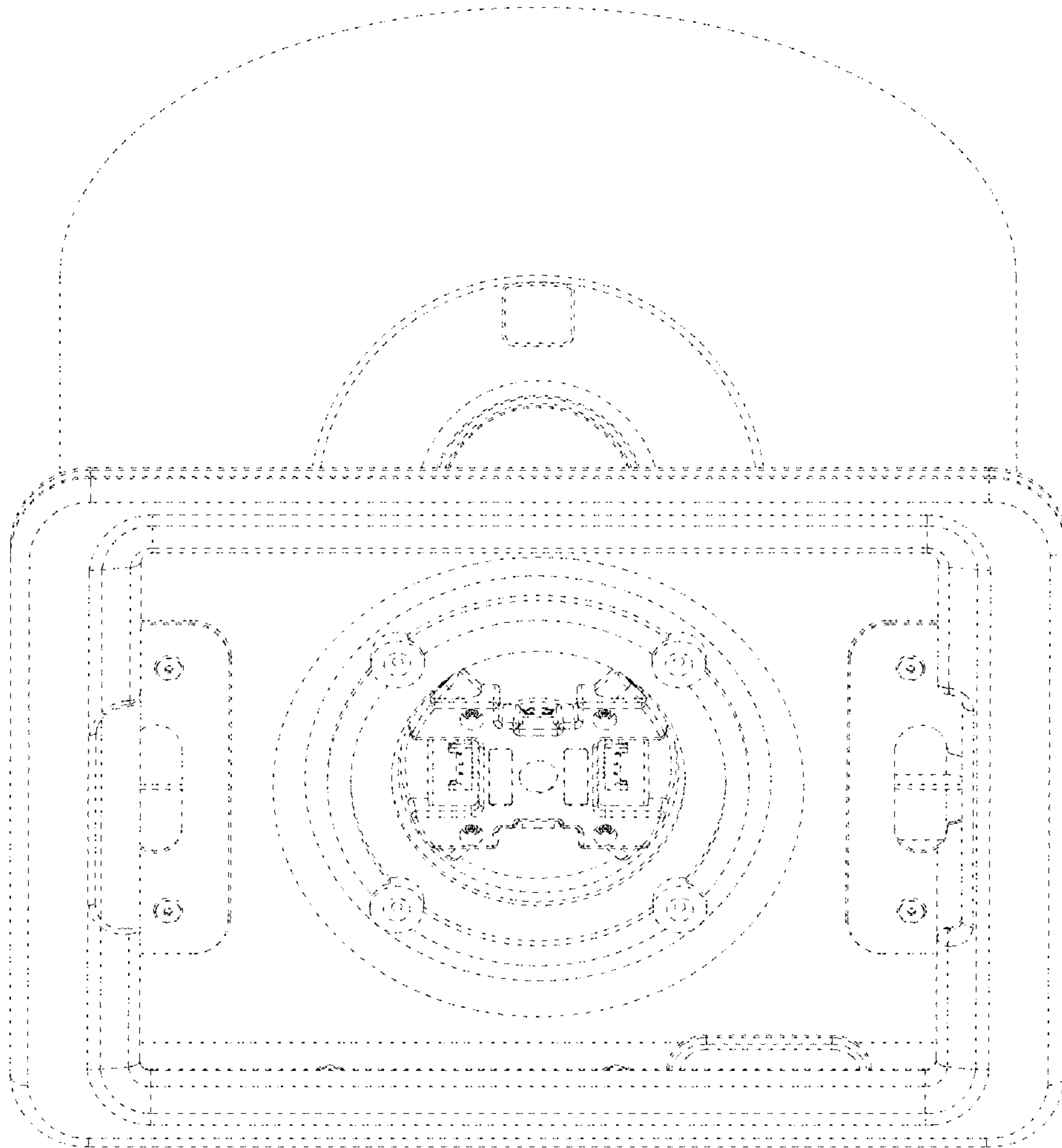


FIG. 7