



US00D811413S

(12) **United States Design Patent** (10) **Patent No.:** **US D811,413 S**  
**Jeong** (45) **Date of Patent:** **\*\* Feb. 27, 2018**

(54) **BLACK BOX HOLDER FOR VEHICLE**  
(71) Applicant: **LG INNOTEK CO., LTD.**, Seoul (KR)  
(72) Inventor: **Ki Hyun Jeong**, Seoul (KR)  
(73) Assignee: **LG INNOTEK CO., LTD.**, Seoul (KR)

(\*\*) Term: **15 Years**

(21) Appl. No.: **29/568,063**

(22) Filed: **Jun. 15, 2016**

(51) **LOC (11) Cl.** ..... **08-07**

(52) **U.S. Cl.**  
USPC ..... **D14/447**

(58) **Field of Classification Search**  
USPC ..... D12/420, 419, 418, 417, 416, 415, 421  
CPC B60R 11/02; B60R 11/04; B60R 7/10; B60R  
1/12; B62J 11/00; H04N 7/183; G03B  
17/02

See application file for complete search history.

(56) **References Cited**

**U.S. PATENT DOCUMENTS**

4,065,087	A *	12/1977	Solden	.....	B60R 11/02 248/201
D313,365	S *	1/1991	Reber, II	.....	D10/121
5,074,508	A *	12/1991	Powers	.....	B60R 7/10 211/31
5,667,176	A *	9/1997	Zamarripa	.....	B60R 1/12 248/231.51
6,779,765	B2 *	8/2004	Zheng	.....	B60R 11/02 248/206.3
D566,647	S *	4/2008	Lee	.....	D12/415
D566,648	S *	4/2008	Lee	.....	B62J 11/00 D12/415
D657,355	S *	4/2012	Wikel	.....	D14/253
D669,203	S *	10/2012	Herberholt	.....	D26/63

D724,598	S *	3/2015	Gelsomini	.....	D14/447
9,736,435	B2 *	8/2017	Schofield	.....	H04N 7/183
2008/0099521	A1 *	5/2008	Huang	.....	B60R 11/04 224/483
2012/0233841	A1 *	9/2012	Stein	.....	G03B 17/02 29/428

\* cited by examiner

*Primary Examiner* — Karen S Acker

*Assistant Examiner* — Jerry Shiuhan-Hua Hsu

(74) *Attorney, Agent, or Firm* — Ked & Associates LLP

(57) **CLAIM**

The ornamental design for a black box holder for vehicle, as shown and described.

**DESCRIPTION**

FIG. 1 is a perspective view of a black box holder for vehicle showing my new design;  
 FIG. 2 is a front view thereof;  
 FIG. 3 is a rear view thereof;  
 FIG. 4 is a left side view thereof;  
 FIG. 5 is a right side view thereof;  
 FIG. 6 is a top plan view thereof;  
 FIG. 7 is a bottom plan view thereof;  
 FIG. 8 is a perspective view thereof, showing the holder in a position of use attached to an unclaimed black box for vehicle; and,  
 FIG. 9 is a side view thereof, showing the black box for vehicle in an environment of use.

The broken lines illustrate portions of the black box holder for vehicle that form no part of the claimed design. The remaining broken lines in FIGS. 8 and 9 illustrate environmental matter which forms no part of the claimed design. The dash dot broken lines in FIG. 9 illustrate the bounds of the unclaimed environmental in which the article is installed and forms no part of the claimed design.

**1 Claim, 9 Drawing Sheets**

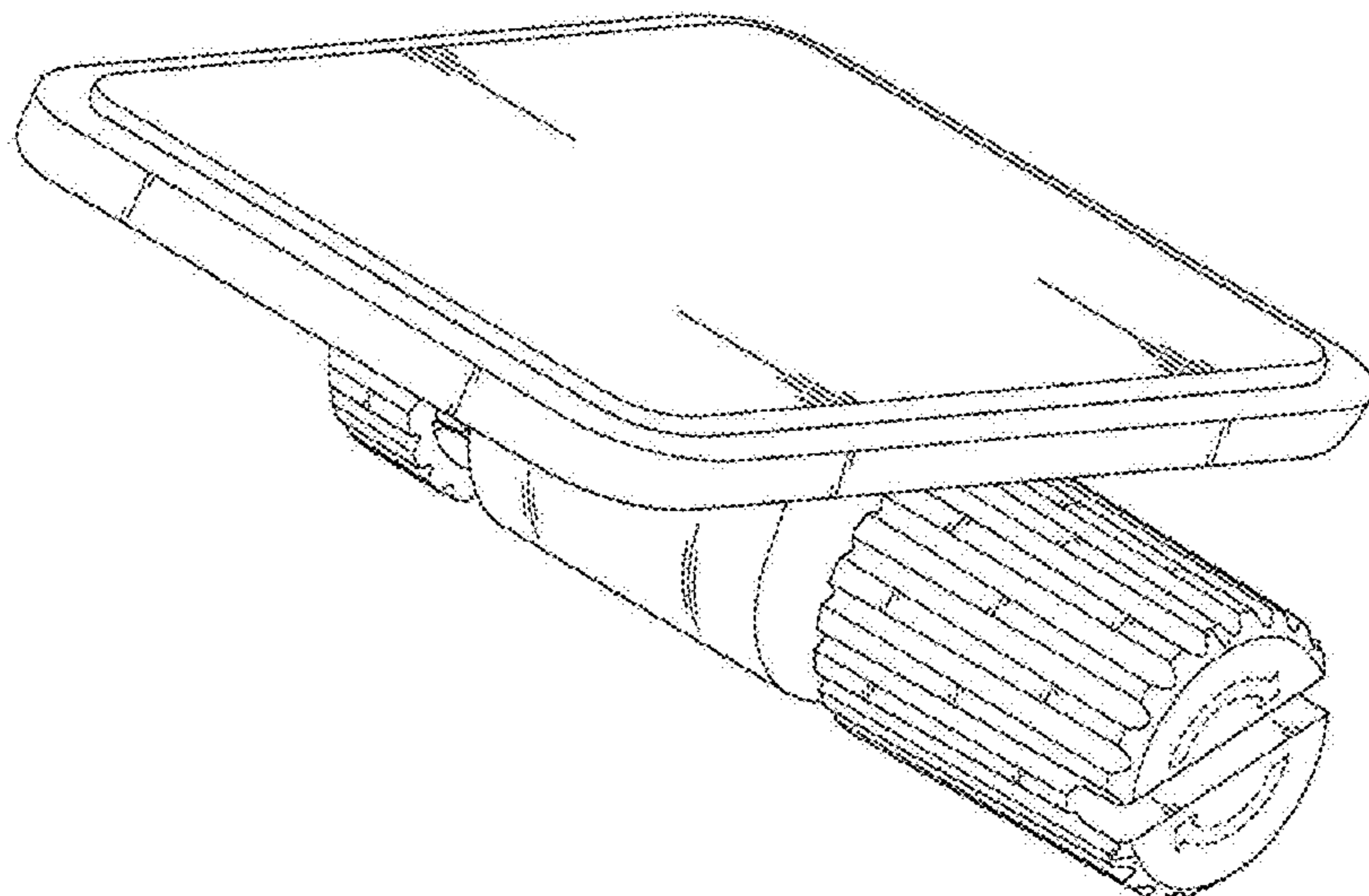


FIG. 1

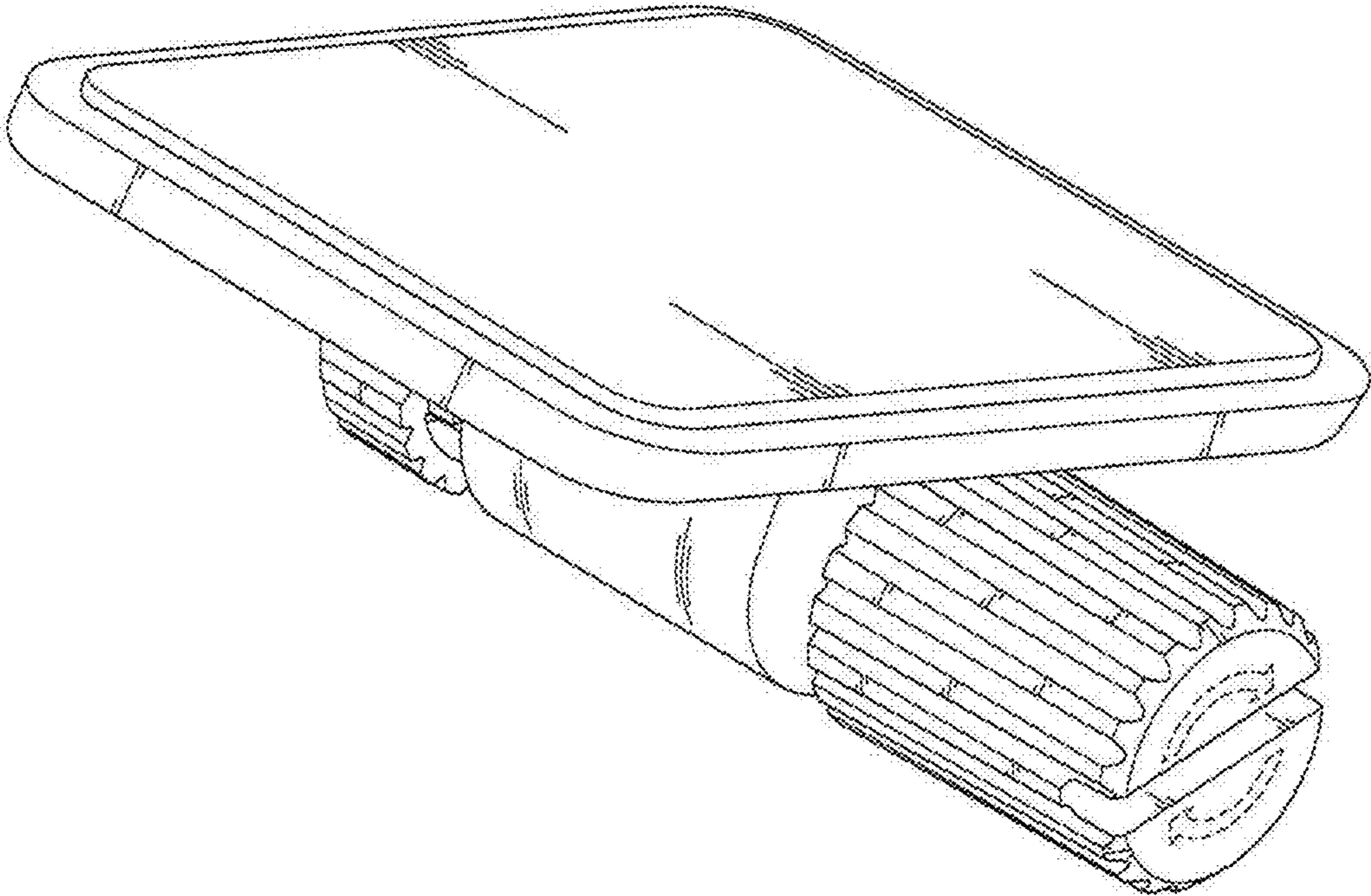


FIG. 2

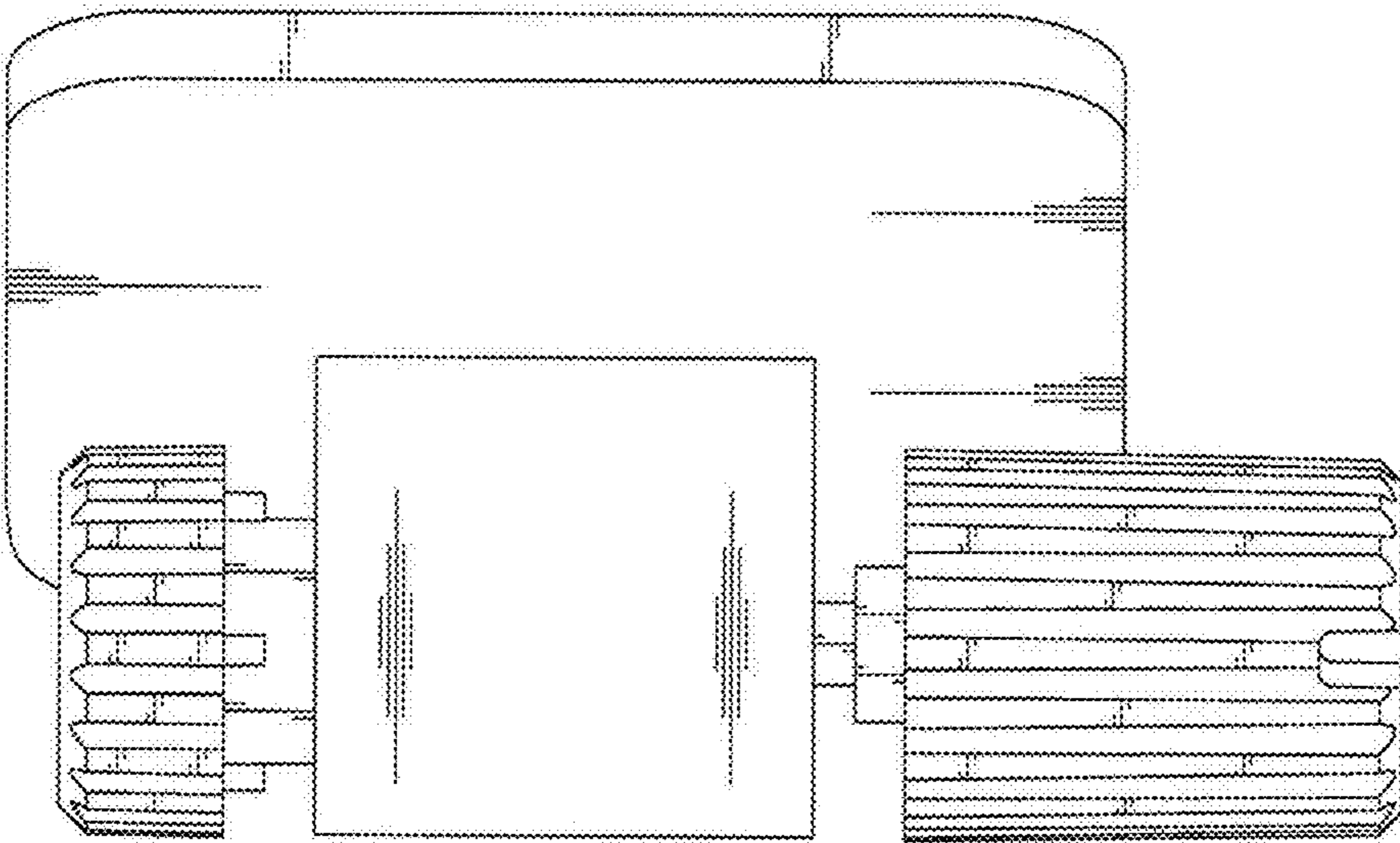


FIG. 3

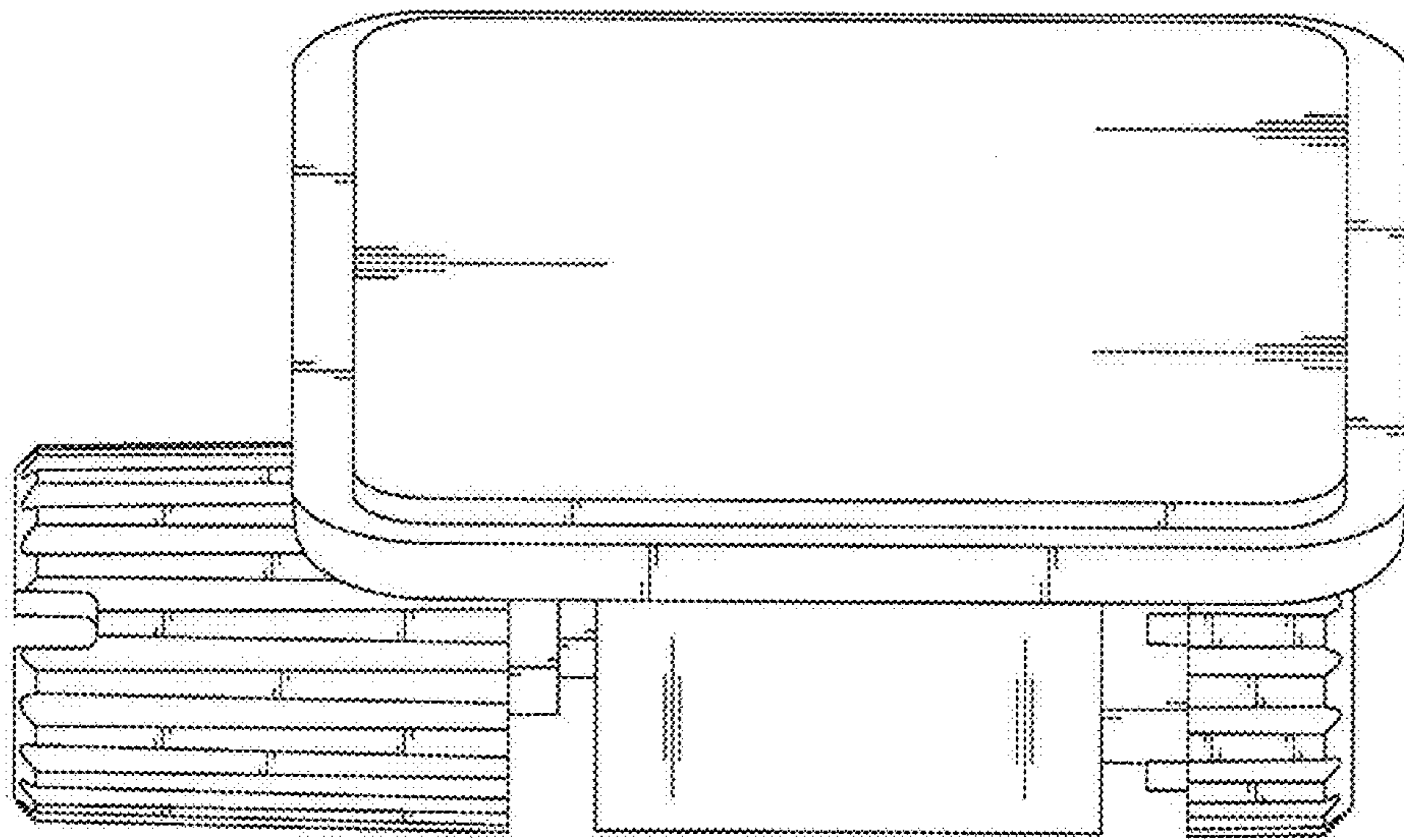


FIG. 4

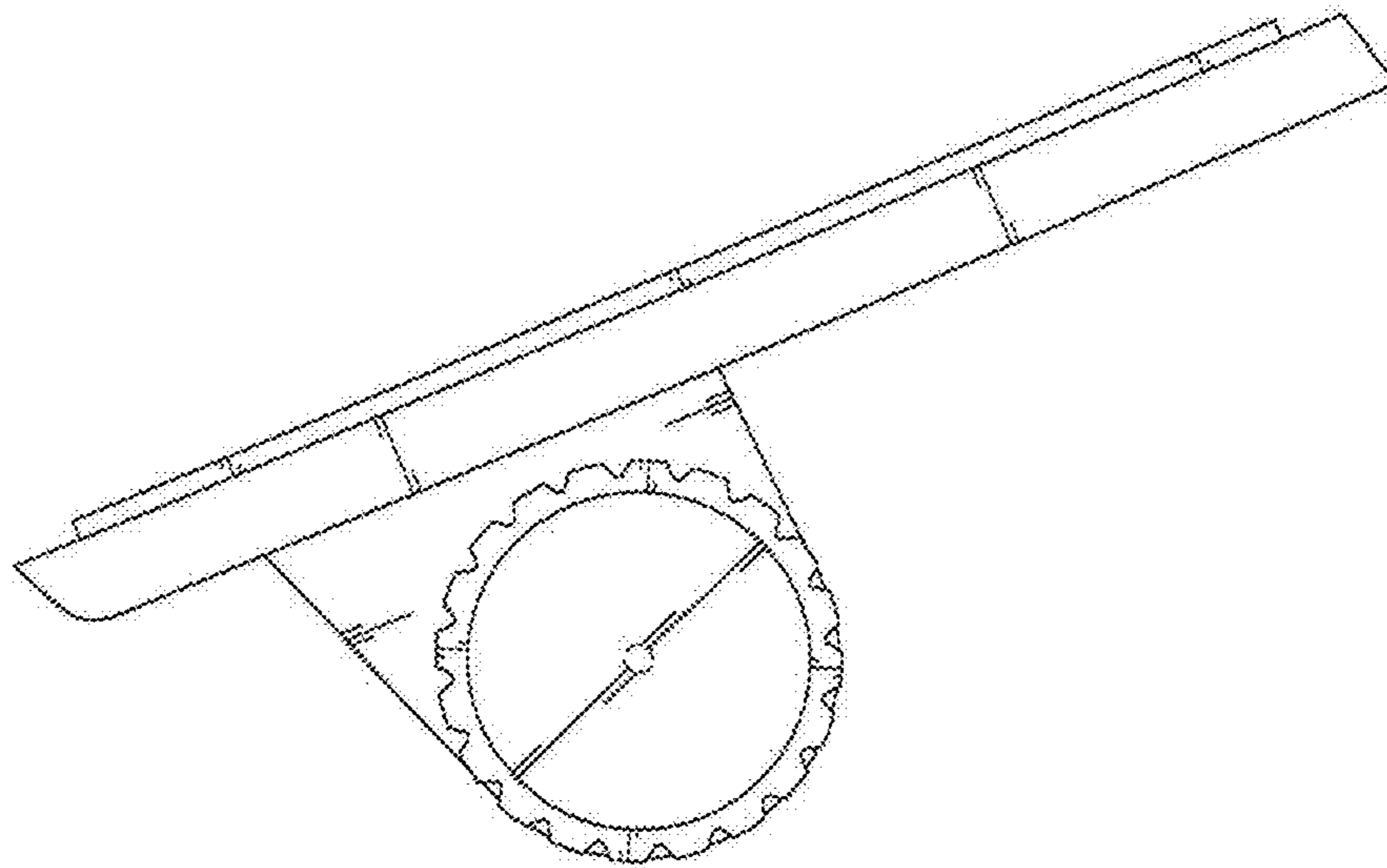


FIG. 5

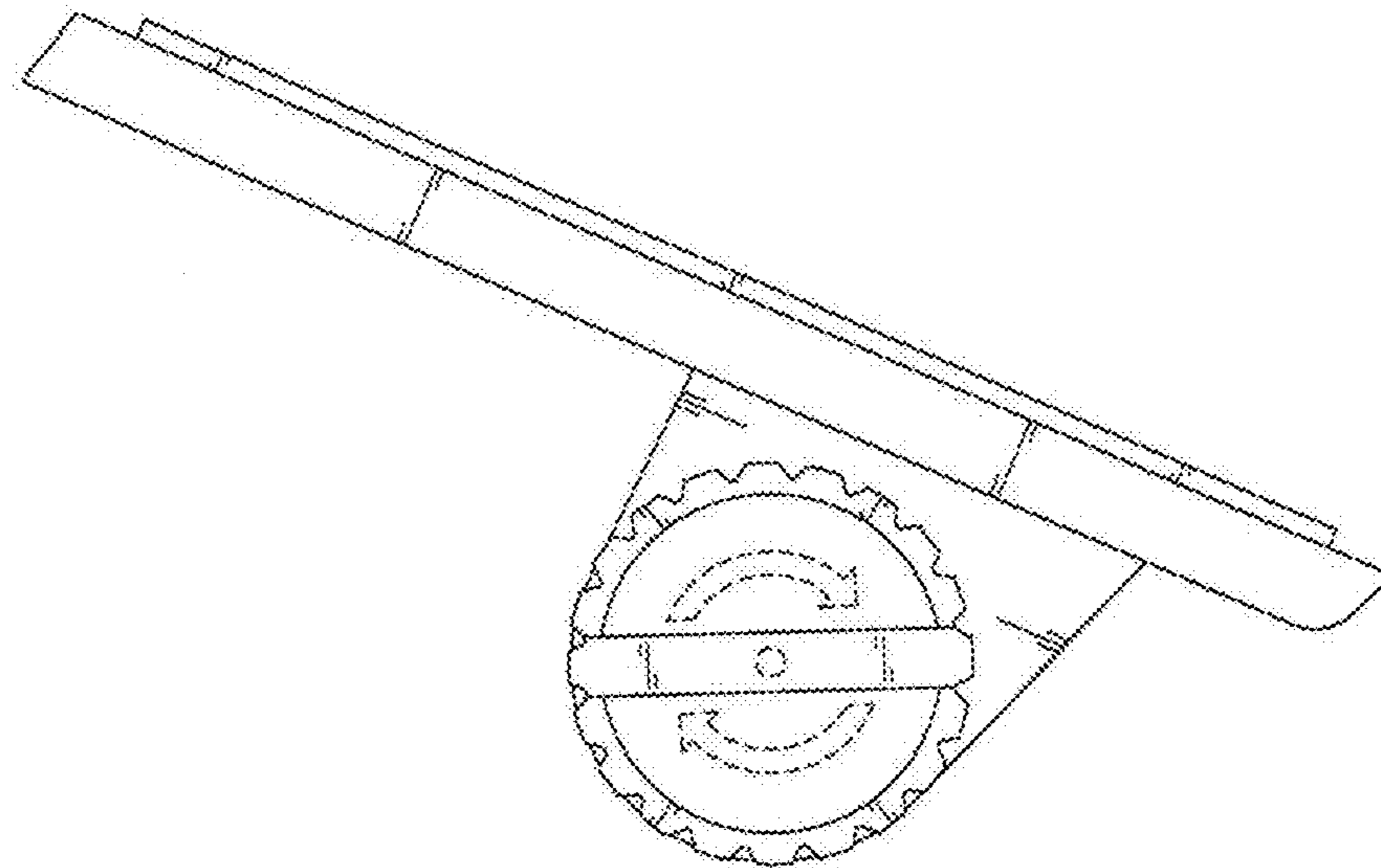


FIG. 6

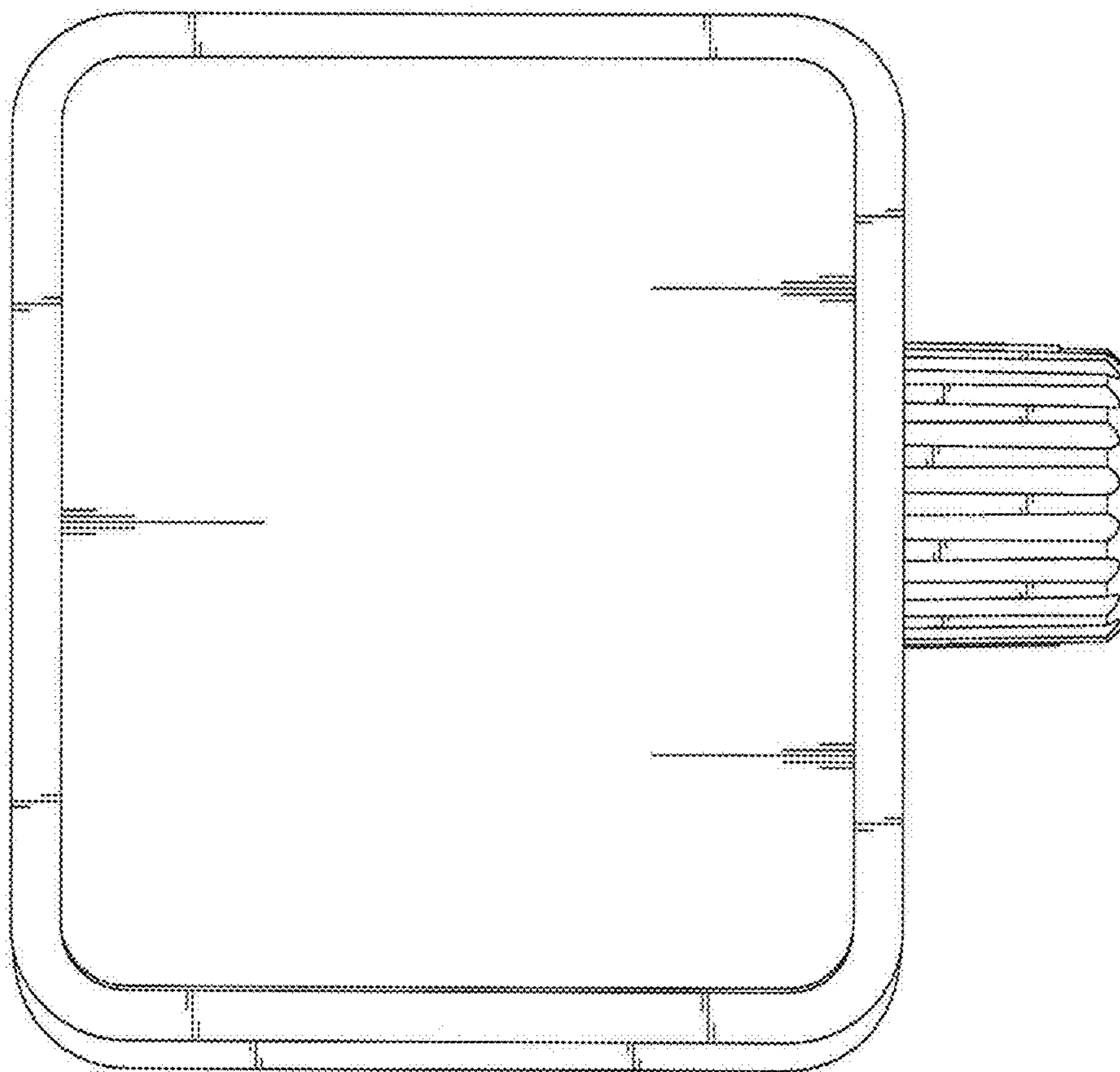


FIG. 7

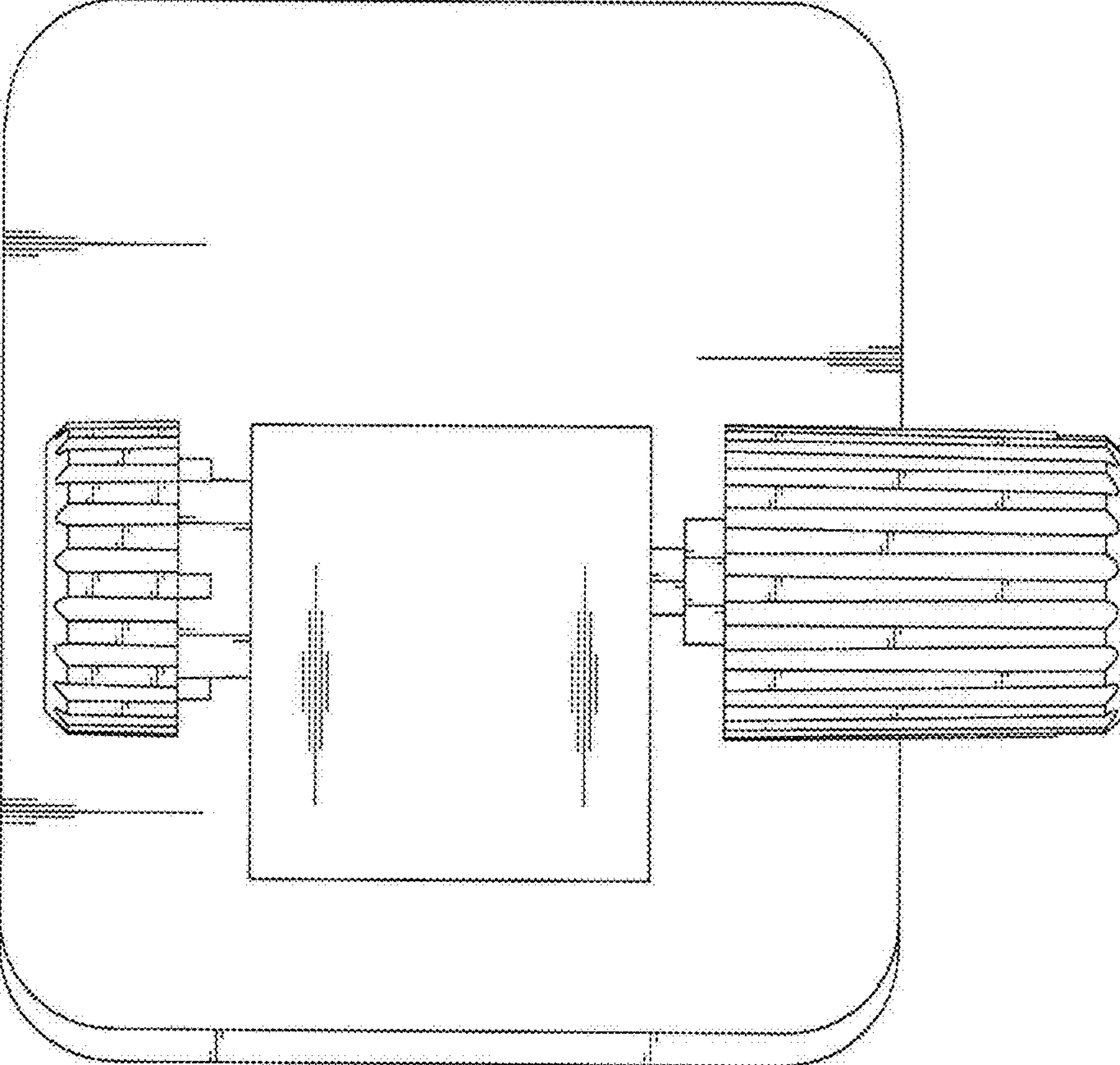




FIG. 8

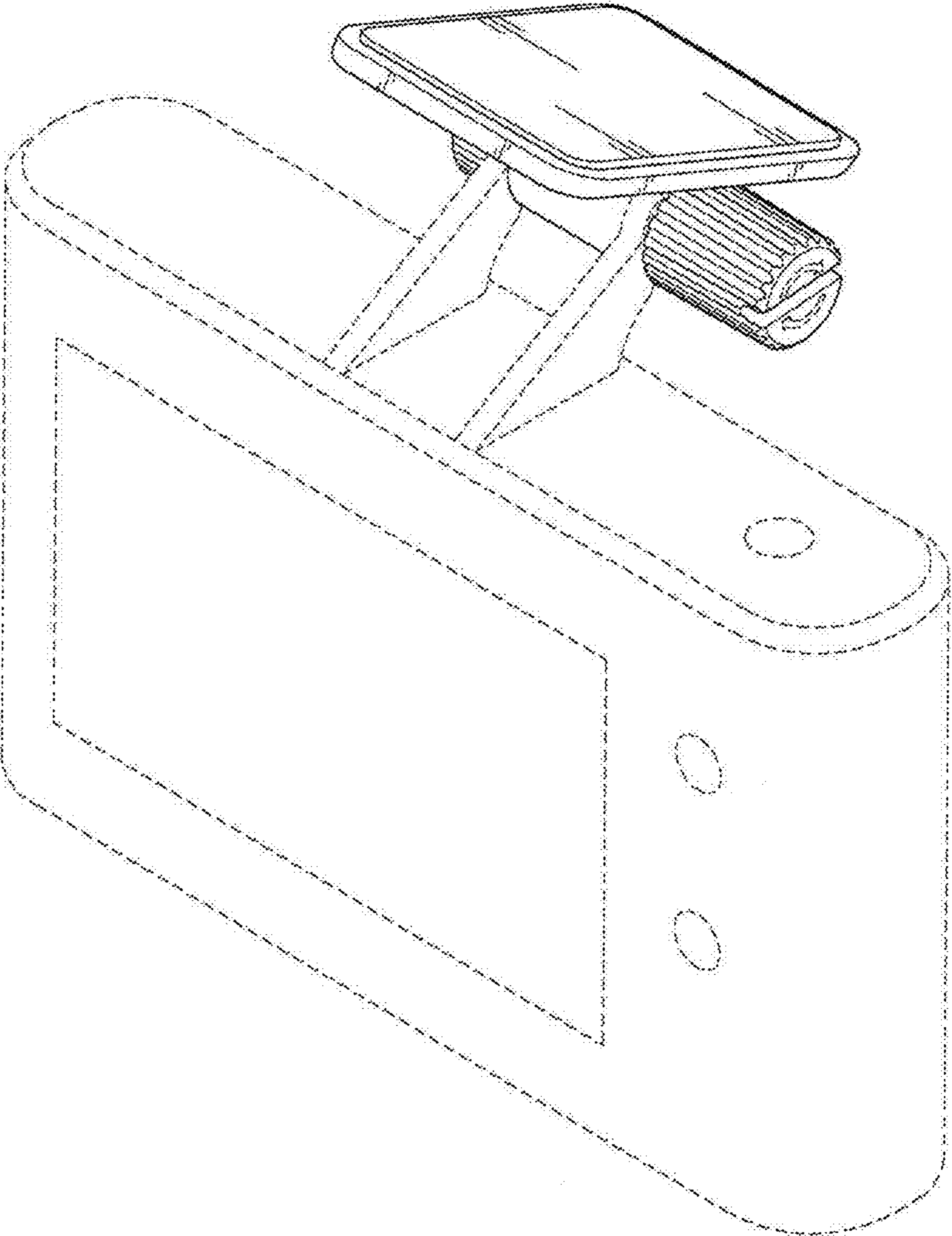


FIG. 9

