



US00D811412S

(12) **United States Design Patent**
McCurdy

(10) **Patent No.:** **US D811,412 S**

(45) **Date of Patent:** **** Feb. 27, 2018**

(54) **CELL PHONE AND TABLET HOLDER**

(71) Applicant: **William A. McCurdy**, Kentwood, MI (US)

(72) Inventor: **William A. McCurdy**, Kentwood, MI (US)

(73) Assignee: **BLUCASE, LLC**, Kentwood, MI (US)

(**) Term: **15 Years**

(21) Appl. No.: **29/587,692**

(22) Filed: **Dec. 15, 2016**

(51) **LOC (11) Cl.** **14-02**

(52) **U.S. Cl.**
USPC **D14/440**

(58) **Field of Classification Search**
USPC D14/440, 42, 300, 447, 250; 206/45.23,
206/320, 45.2; 361/679.55; 294/25;
224/218
CPC ... G06F 1/1628; G06F 1/1626; A47B 23/044;
H04B 1/3888
See application file for complete search history.

(56) **References Cited**

U.S. PATENT DOCUMENTS

6,726,070	B2 *	4/2004	Lautner	A44C 5/0007	224/221
D492,303	S *	6/2004	Schlieffers	D14/341	
D591,801	S *	5/2009	Mak	D21/469	
D594,004	S *	6/2009	Takemasa	D14/341	
D611,467	S *	3/2010	Gou	D14/315	
D613,285	S *	4/2010	Grant	D14/341	
D626,123	S *	10/2010	Peng	D14/324	
D676,449	S *	2/2013	Probst	D14/440	
D685,376	S *	7/2013	Kim	D14/439	
D689,056	S *	9/2013	Li	D14/440	
D690,704	S *	10/2013	Padilla	D14/440	
D691,144	S *	10/2013	Peters	D14/440	

D694,246	S *	11/2013	Park	D14/440	
D703,672	S *	4/2014	Kim	D14/440	
8,690,210	B1 *	4/2014	May	A45F 5/00	224/217
D712,412	S *	9/2014	Bleau	D14/440	
D721,075	S *	1/2015	Toda	D14/342	
D721,376	S *	1/2015	Lee	D14/440	
D725,659	S *	3/2015	Tussy	D14/440	
D727,917	S *	4/2015	Yeo	D14/440	
D733,154	S *	6/2015	Armstrong	D14/440	
D741,335	S *	10/2015	Bastian	D14/440	
D747,321	S *	1/2016	London	D14/440	
D749,592	S *	2/2016	Huang	D14/440	
D752,052	S *	3/2016	Park	D14/440	
D763,853	S *	8/2016	Pearce	D14/440	

(Continued)

Primary Examiner — Cynthia Underwood

(74) *Attorney, Agent, or Firm* — Justin Lampel

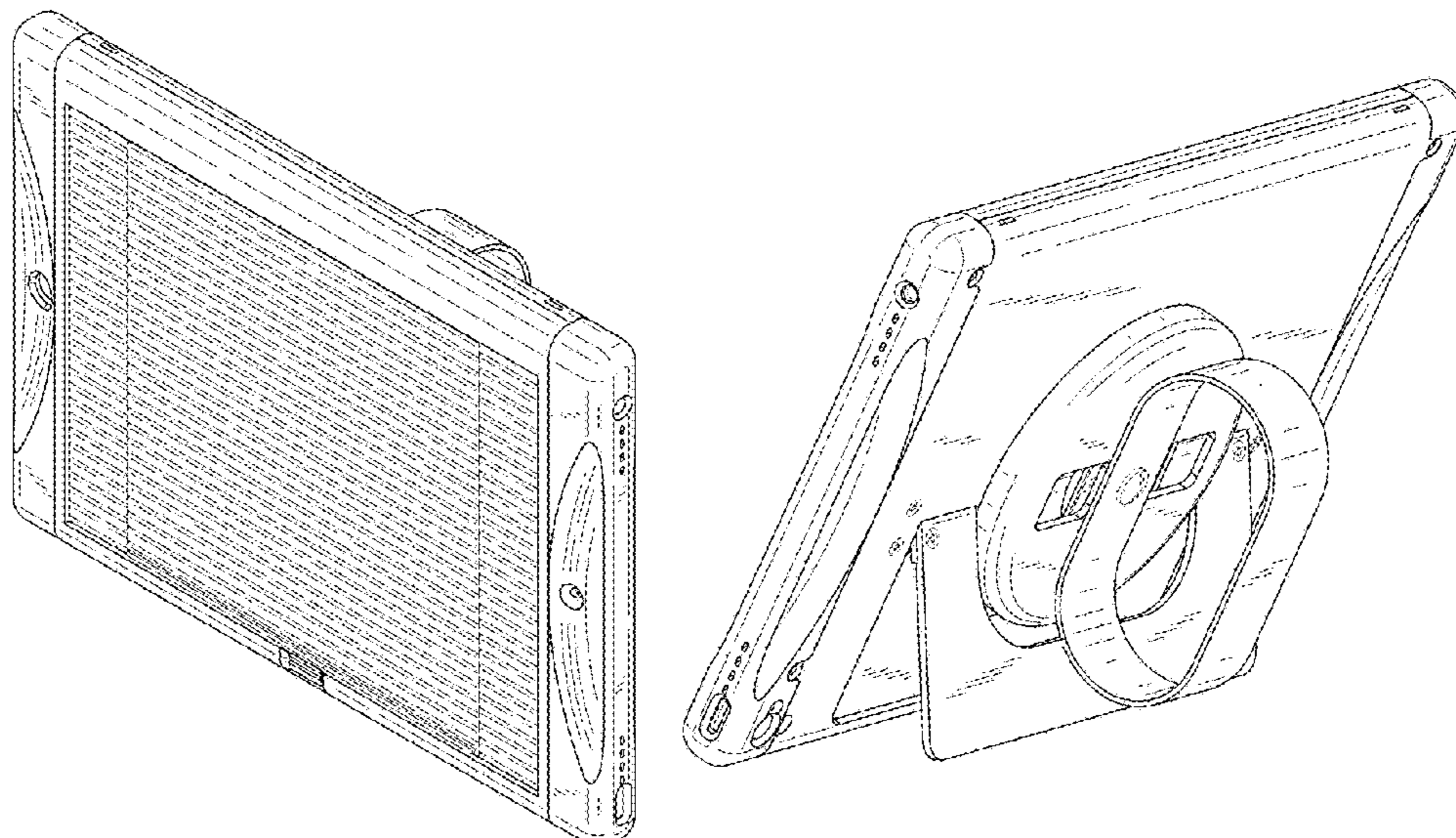
(57) **CLAIM**

The ornamental design for a cell phone and tablet holder, as shown and described.

DESCRIPTION

FIG. 1 is a perspective view of the cell phone and tablet holder;
 FIG. 2 is a front view of the cell phone and tablet holder;
 FIG. 3 is a side view of the cell phone and tablet holder;
 FIG. 4 is a side view of the cell phone and tablet holder;
 FIG. 5 is a top view of the cell phone and tablet holder;
 FIG. 6 is a bottom view of the cell phone and tablet holder;
 FIG. 7 is a back view of the cell phone and tablet holder;
 FIG. 8 is a front perspective view of the cell phone and tablet holder wherein the front cover is rolled back; and,
 FIG. 9 is a back perspective view of the cell phone and tablet holder wherein the back support is in the functional orientation.
 The broken lines represent environment that forms no part of the claim.

1 Claim, 7 Drawing Sheets



(56)

References Cited

U.S. PATENT DOCUMENTS

D765,085 S * 8/2016 Moore D14/440
9,407,743 B1 * 8/2016 Hirshberg H04M 1/04
D771,030 S * 11/2016 Tussy D14/250
D784,350 S * 4/2017 Li D14/440
D797,106 S * 9/2017 Paolizzi D14/426
2004/0226973 A1 * 11/2004 Kao F16M 11/041
224/218
2007/0215512 A1 * 9/2007 Bellissimo A47G 23/0625
206/557
2009/0219677 A1 * 9/2009 Mori A45F 3/14
361/679.03
2011/0267748 A1 * 11/2011 Lane A45F 5/00
361/679.01
2011/0309117 A1 * 12/2011 Roberts A45F 5/00
224/217
2012/0091312 A1 * 4/2012 Baker F16M 13/00
248/682
2014/0054910 A1 * 2/2014 Kim H04B 1/385
294/158
2014/0152034 A1 * 6/2014 Tussy F16M 13/04
294/142
2015/0009610 A1 * 1/2015 London G06F 1/163
361/679.03
2015/0201743 A1 * 7/2015 Erickson-Davis A45F 5/00
224/218

* cited by examiner

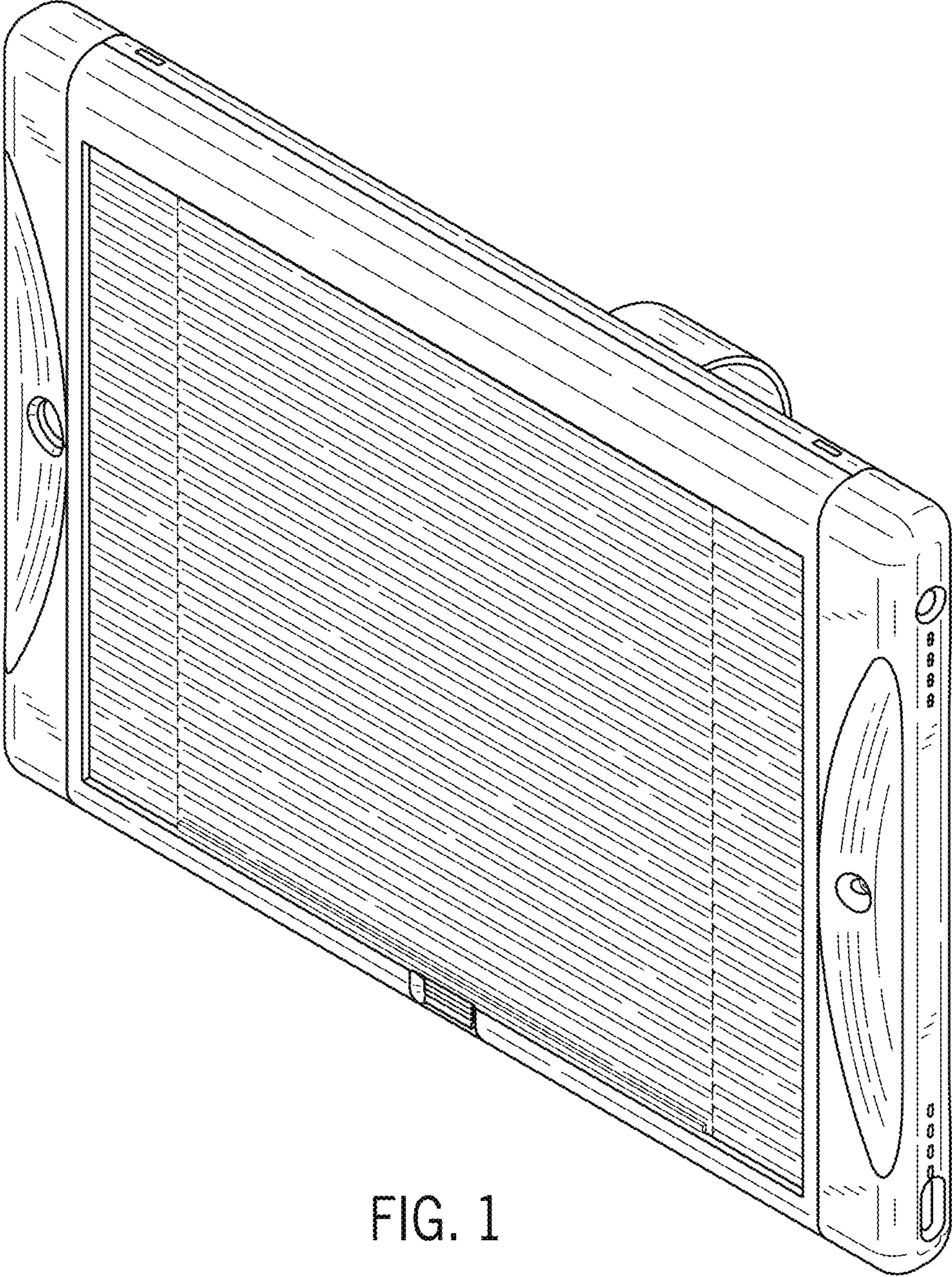


FIG. 1

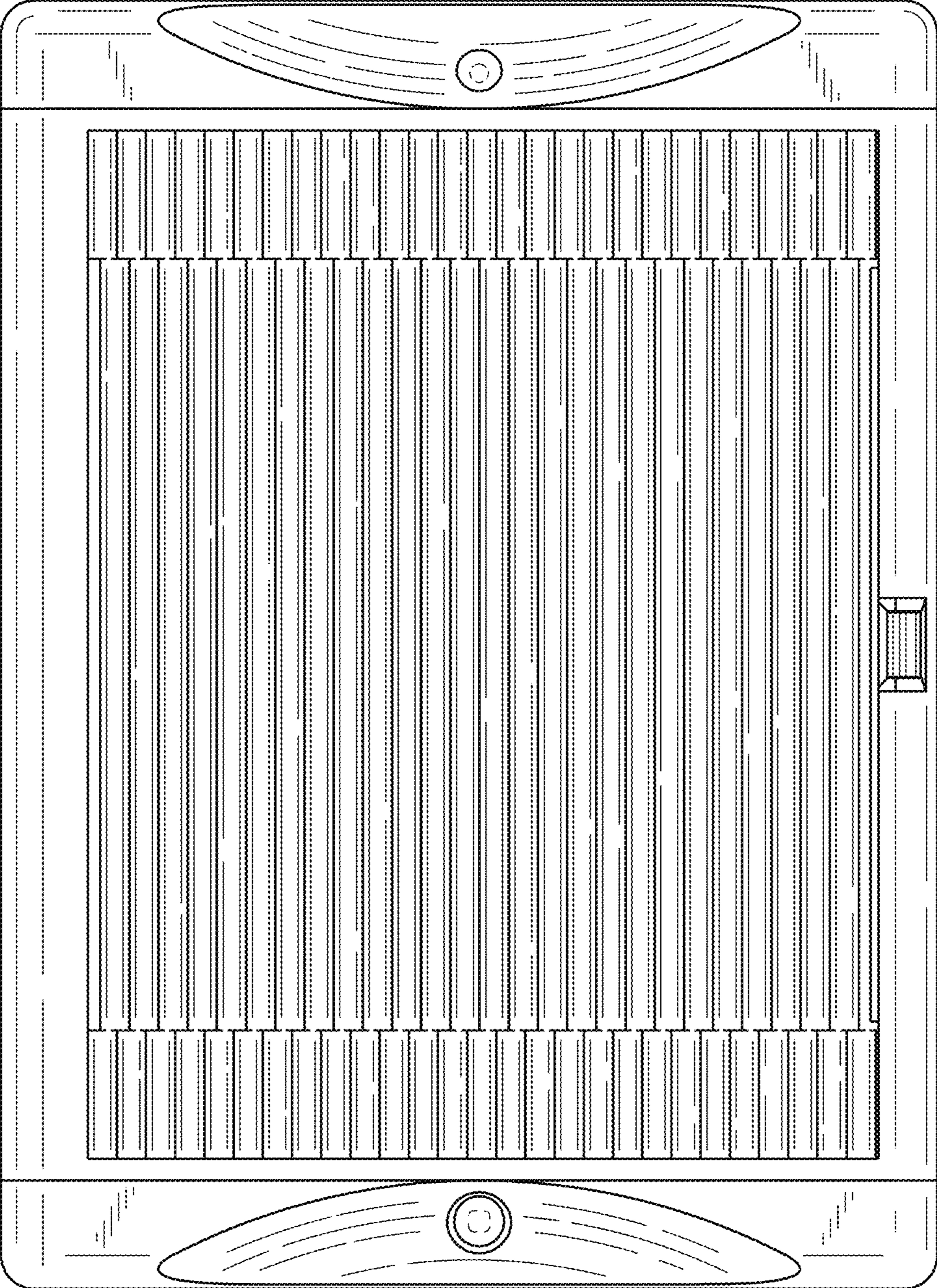


FIG. 2

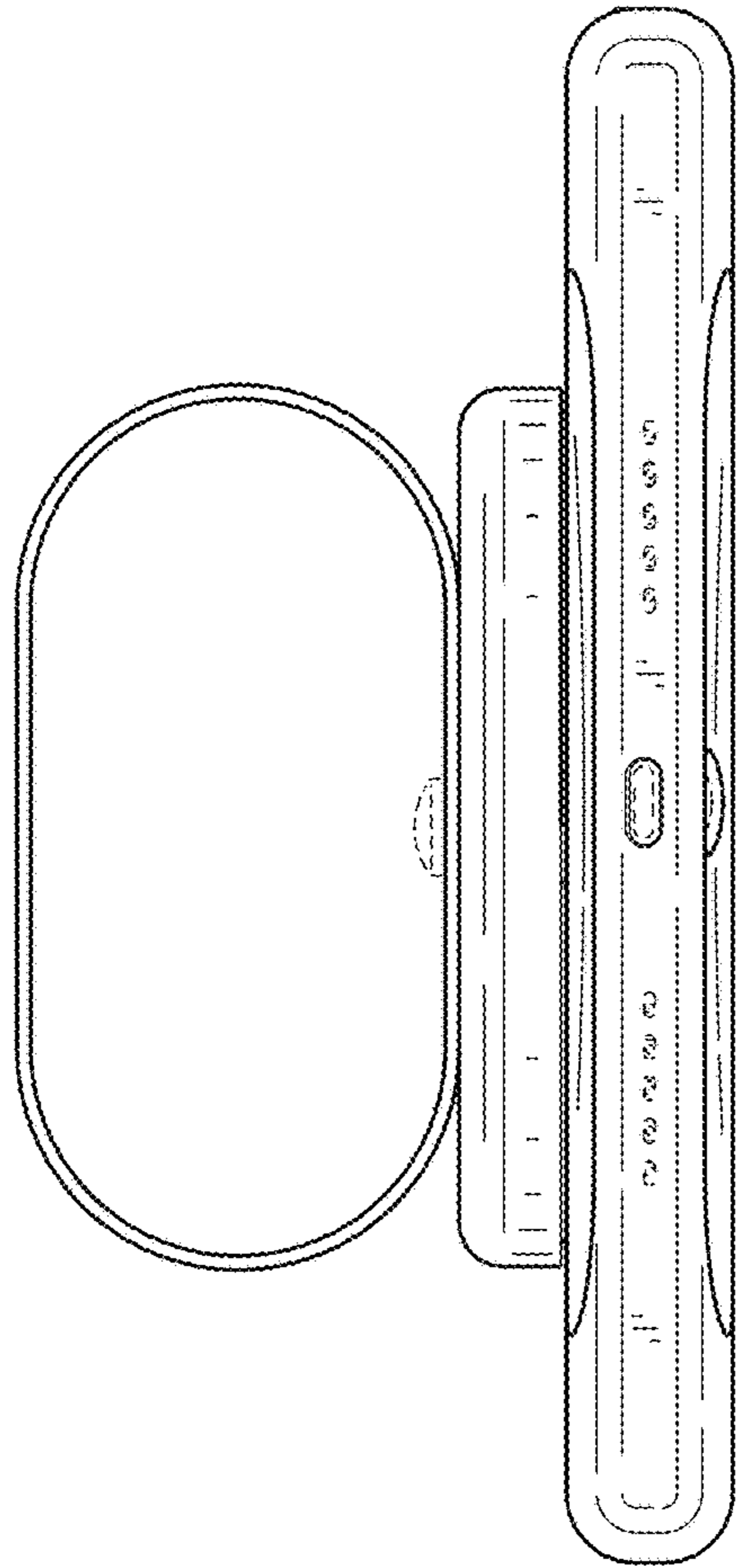


FIG. 3

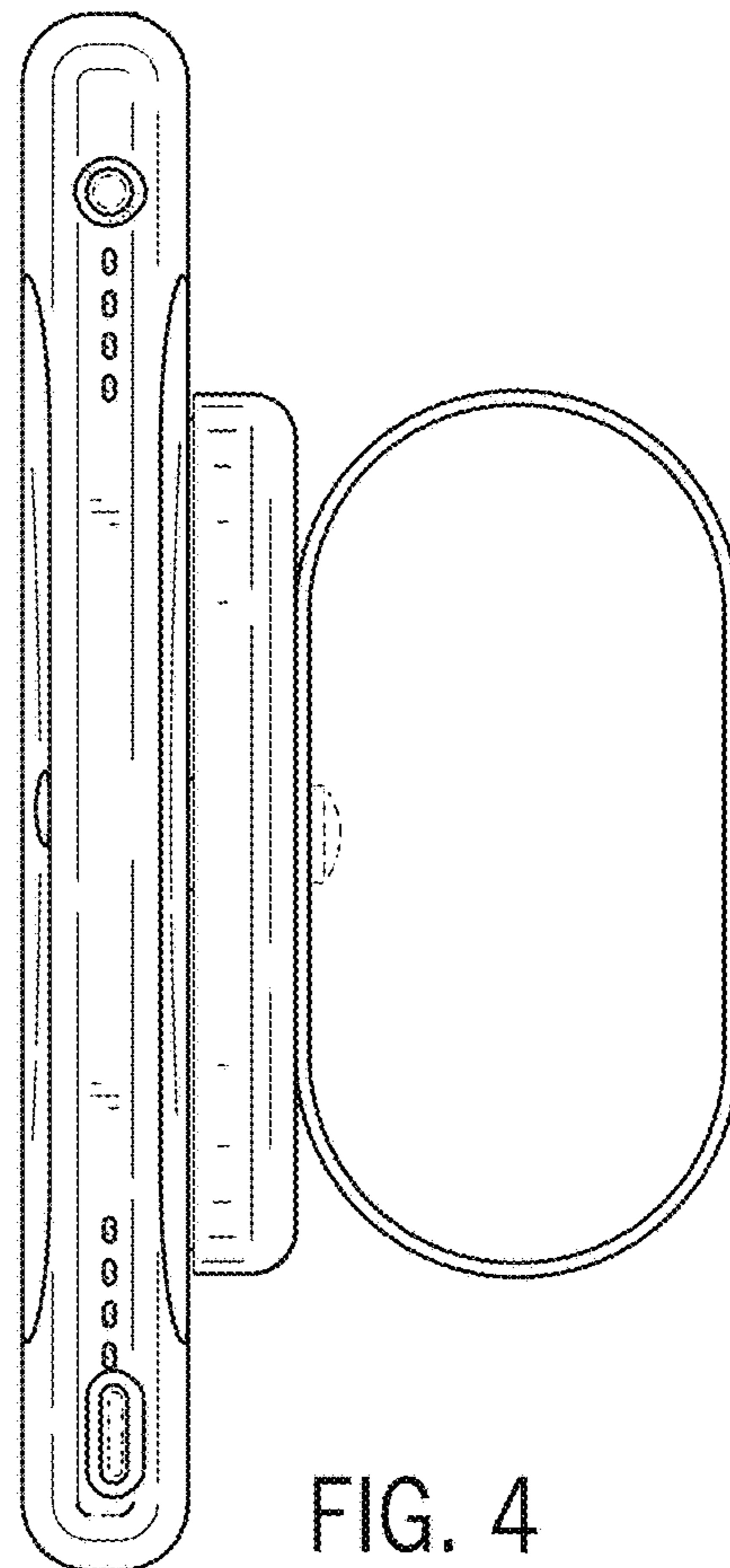


FIG. 4

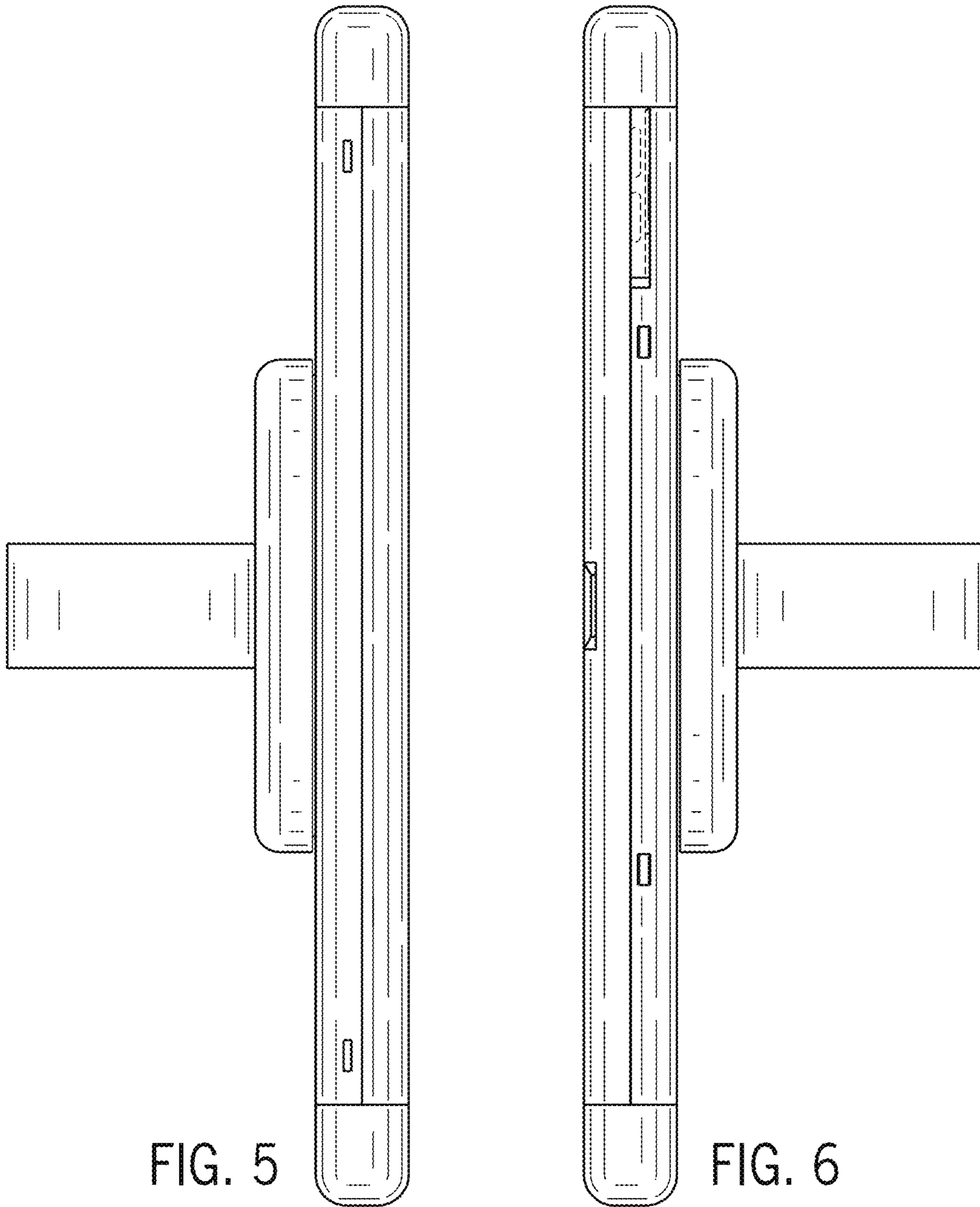


FIG. 5

FIG. 6

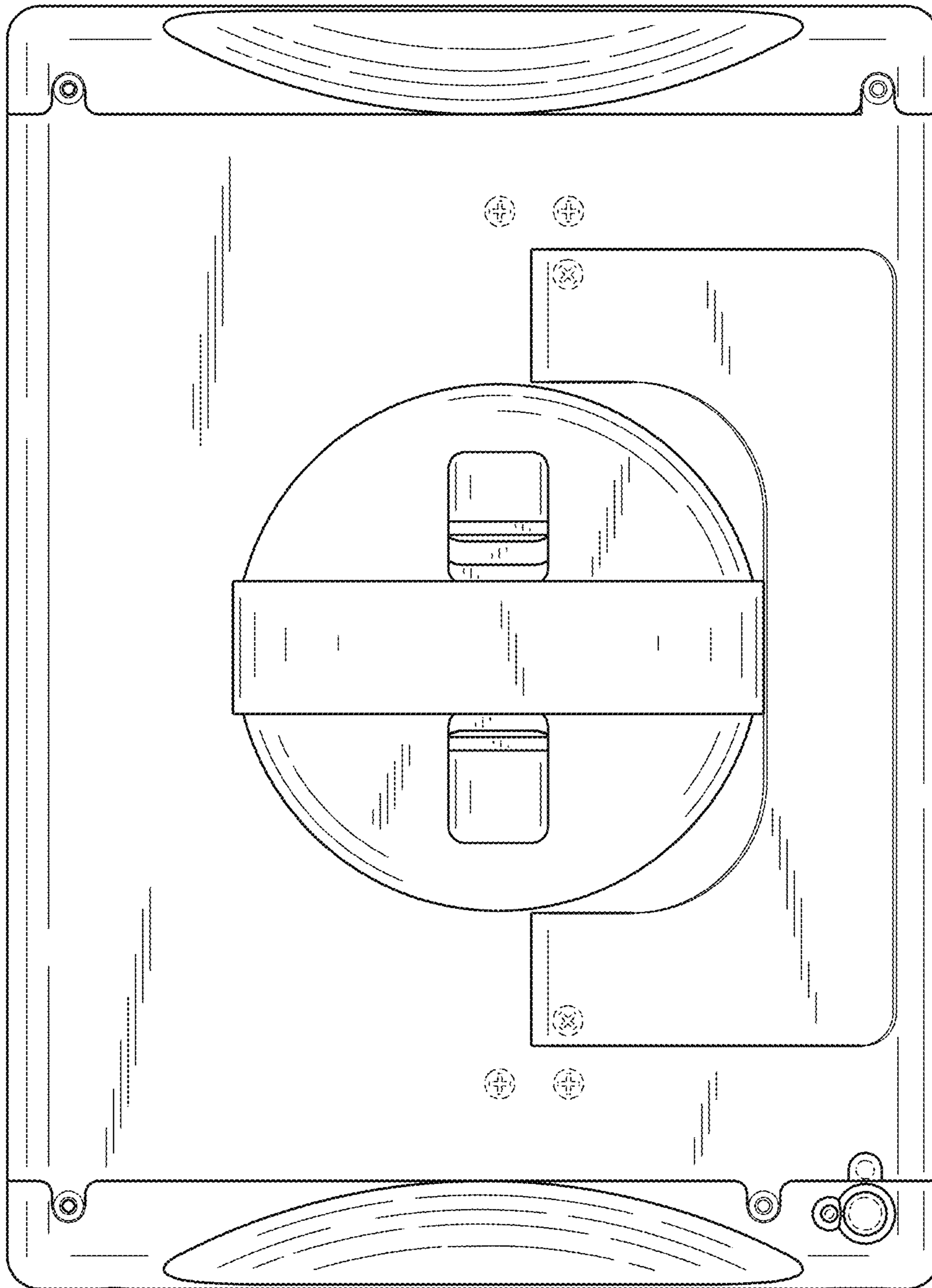


FIG. 7

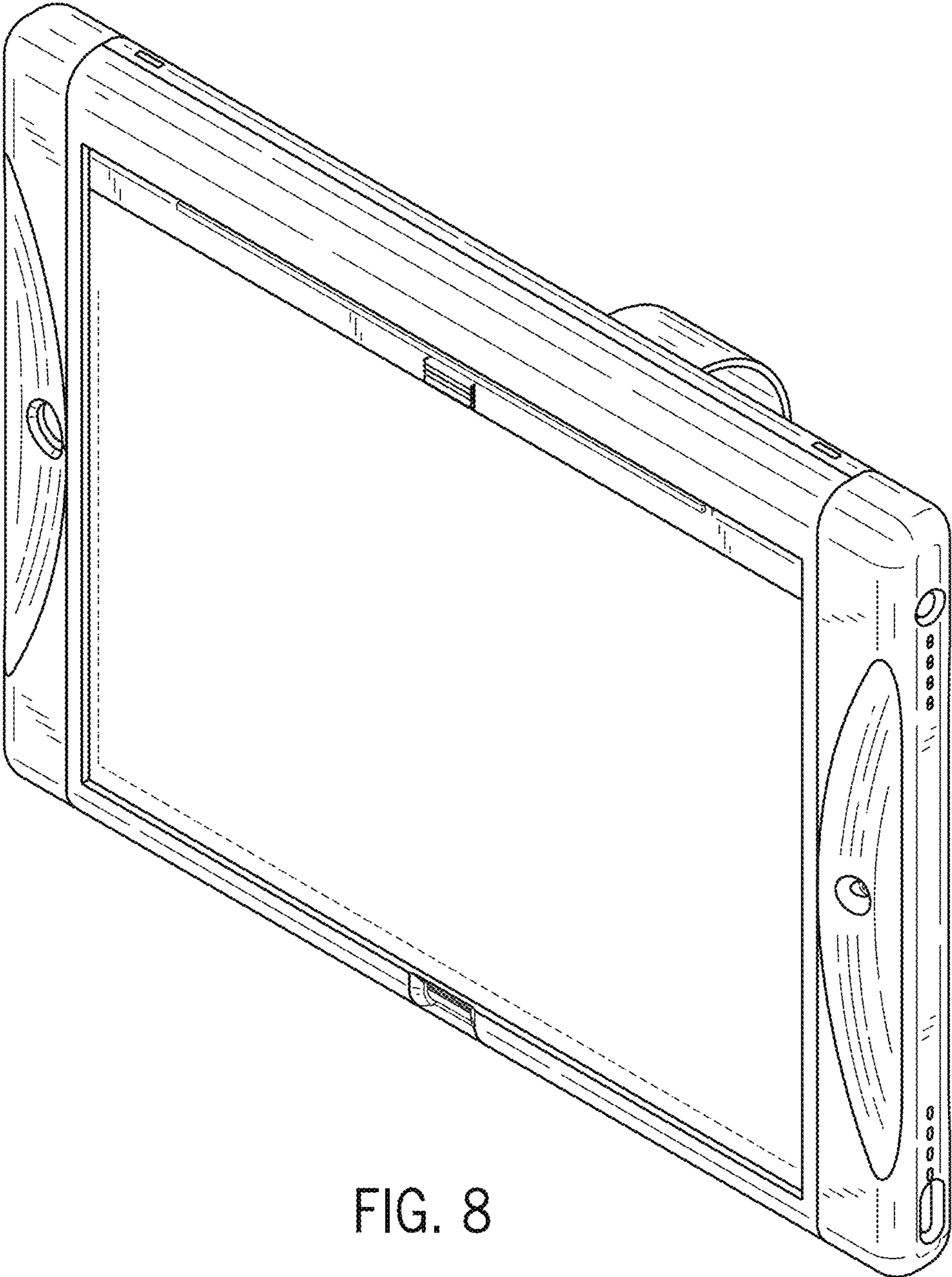


FIG. 8

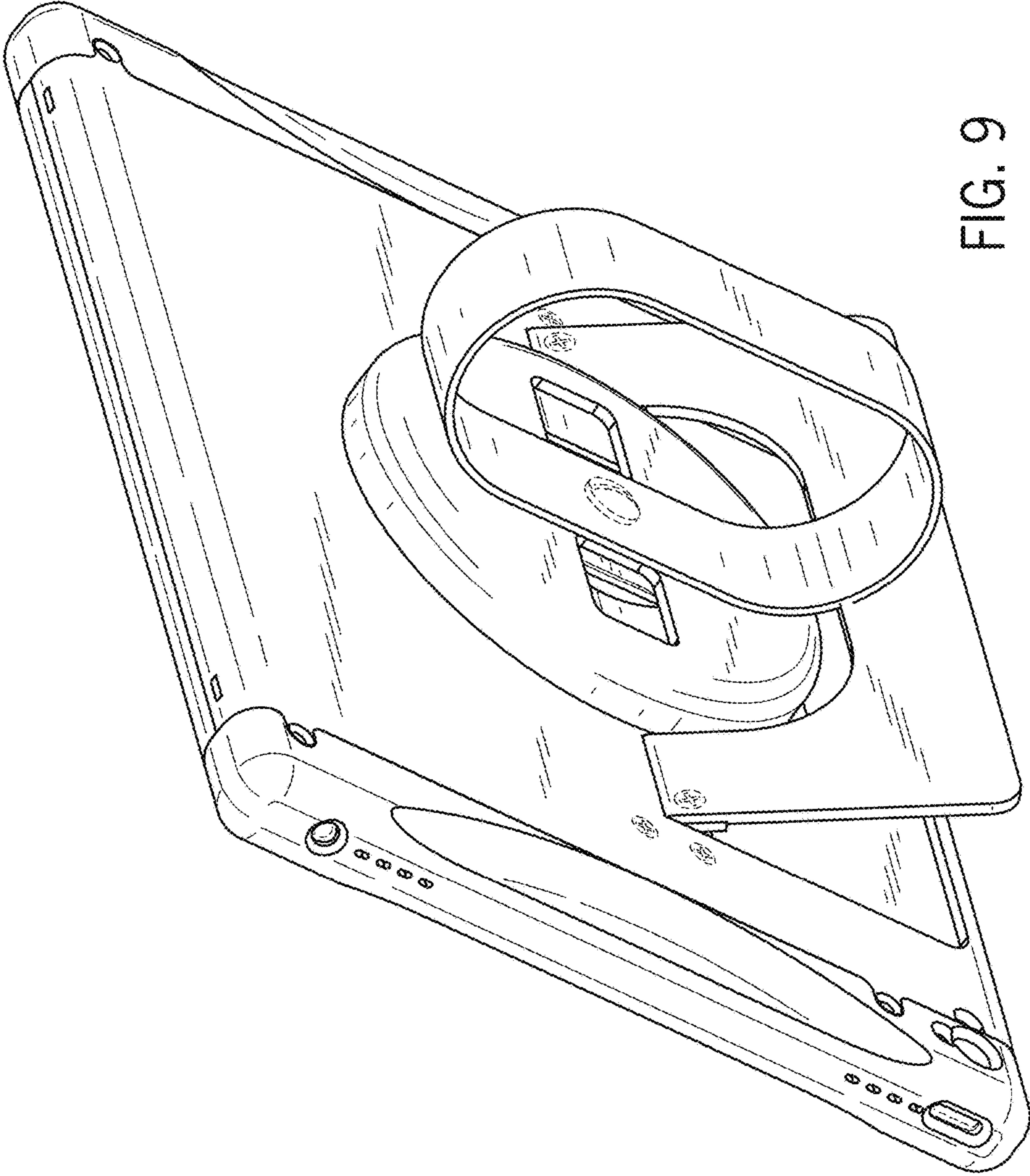


FIG. 9