



US00D811409S

(12) **United States Design Patent**  
**Zhong**

(10) **Patent No.:** **US D811,409 S**

(45) **Date of Patent:** **\*\* Feb. 27, 2018**

(54) **PEN LOOP FOR MOBILE COMPUTER**

(71) Applicant: **GETAC TECHNOLOGY CORPORATION**, Hsinchu County (TW)

(72) Inventor: **Shi-Liang Zhong**, Taipei (TW)

(73) Assignee: **Getac Technology Corporation**, Hsinchu County (TW)

(\*\*) Term: **15 Years**

(21) Appl. No.: **29/583,899**

(22) Filed: **Nov. 9, 2016**

(51) **LOC (11) Cl.** ..... **14-02**

(52) **U.S. Cl.**  
USPC ..... **D14/432; D14/411**

(58) **Field of Classification Search**  
USPC ..... D14/432, 434, 454, 342, 356, 411, 217, D14/251, 252, 254, 496, 299; D19/23, D19/102, 105, 77, 81-84; D8/349, 368, D8/382

CPC ..... G06F 2200/1632; H04R 1/16; H04R 1/18; B43K 23/00; B43K 23/001; A44C 5/0046; A44C 3/002; A44C 3/008

See application file for complete search history.

(56) **References Cited**

**U.S. PATENT DOCUMENTS**

- 1,324,308 A \* 12/1919 Crossan ..... B43K 23/001  
24/11 CT
- 1,462,714 A \* 7/1923 Marchand ..... B43K 23/001  
131/258
- 1,669,934 A \* 5/1928 Goldwyn ..... F16L 3/12  
24/1
- D140,921 S \* 4/1945 Vermann ..... D19/20
- D160,746 S \* 10/1950 Schumann ..... D12/417
- D162,797 S \* 4/1951 Dubinetz et al. .... D19/83
- D165,156 S \* 11/1951 Kandarian ..... D19/83
- D201,479 S \* 6/1965 Green ..... D19/84
- D212,479 S \* 10/1968 Price ..... D19/77

- D292,717 S \* 11/1987 Murtagh ..... D19/84
- D408,855 S \* 4/1999 Ho ..... D19/83
- D412,601 S \* 8/1999 Cooper ..... D28/73
- D503,430 S \* 3/2005 Chang ..... D19/83

(Continued)

**OTHER PUBLICATIONS**

Pen and Stylus holders. (Design—© Questel). orbit.com.[online PDF] 29 pgs. Print Dates range Feb. 24, 2015 through Aug. 22, 2017. [Retrieved on Dec. 15, 2017] <https://sobjprd.questel.fr/export/QPTUJ214/pdf2/7b23a4c6-9bae-4925-8406-34d03b13ac94-230945.pdf>.\*

*Primary Examiner* — Susan Bennett Hattan

*Assistant Examiner* — Marie D. Fast Horse

(57) **CLAIM**

The ornamental design for a pen loop for mobile computer, as shown and described.

**DESCRIPTION**

FIG. 1 is a top front right perspective view showing on my new design;

FIG. 2 is a bottom rear left perspective view thereof;

FIG. 3 is a front view thereof;

FIG. 4 is a rear view thereof;

FIG. 5 is a left side view thereof;

FIG. 6 is a right side view thereof;

FIG. 7 is a top view thereof;

FIG. 8 is a bottom view thereof;

FIG. 9 is a top front right perspective view thereof in the fastened state;

FIG. 10 is a bottom rear left perspective view thereof in the fastened state;

FIG. 11 is a front view thereof in the fastened state;

FIG. 12 is a rear view thereof in the fastened state;

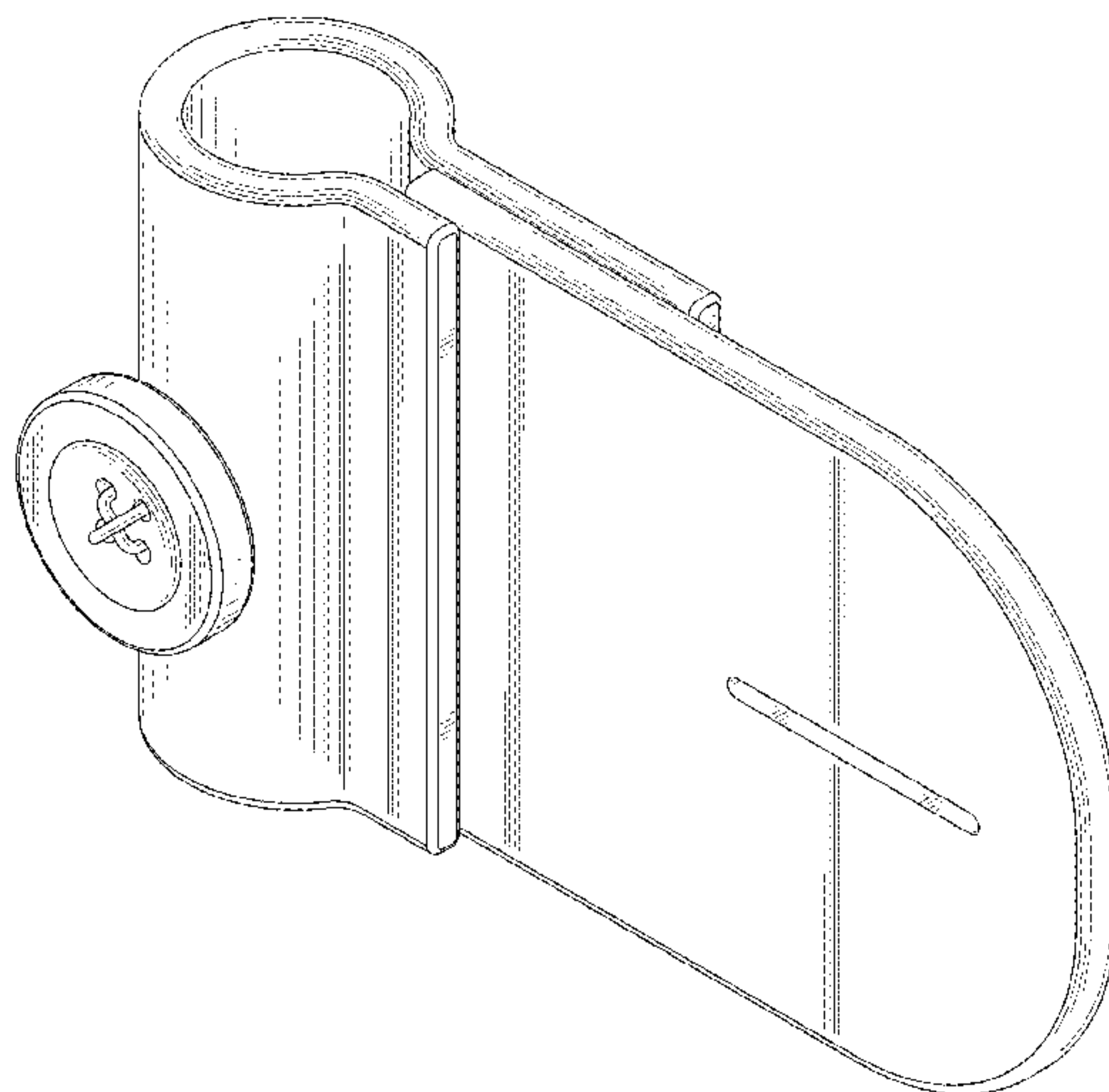
FIG. 13 is a left side view thereof in the fastened state;

FIG. 14 is a right side view thereof in the fastened state;

FIG. 15 is a top view thereof in the fastened state; and,

FIG. 16 is a bottom view thereof in the fastened state.

**1 Claim, 16 Drawing Sheets**



(56)

References Cited

U.S. PATENT DOCUMENTS

D505,785 S \* 6/2005 Woody ..... D3/215  
 D573,652 S \* 7/2008 Esfahani ..... D19/81  
 D576,625 S \* 9/2008 Trigg ..... D14/411  
 D580,988 S \* 11/2008 Regala ..... D19/81  
 D598,052 S \* 8/2009 Esfahani ..... D19/81  
 D603,904 S \* 11/2009 Esfahani ..... D19/81  
 D610,901 S \* 3/2010 Jones ..... D8/394  
 D620,981 S \* 8/2010 Sturken ..... D19/81  
 D636,659 S \* 4/2011 Rothbaum ..... D8/356  
 D639,808 S \* 6/2011 Smith ..... D14/411  
 D641,994 S \* 7/2011 Huang ..... D6/678.3  
 8,261,416 B2 \* 9/2012 Rothbaum ..... F16G 11/00  
 206/320  
 D675,505 S \* 2/2013 Rothbaum ..... D8/356  
 D675,903 S \* 2/2013 Rothbaum ..... D8/356  
 D675,904 S \* 2/2013 Rothbaum ..... D8/356  
 D691,462 S \* 10/2013 Rothbaum ..... D8/356  
 D695,098 S \* 12/2013 Hobson ..... D8/395  
 8,615,849 B2 \* 12/2013 Rothbaum ..... H01F 7/0263  
 24/16 R  
 D700,909 S \* 3/2014 Bowser ..... D14/411  
 D702,535 S \* 4/2014 Rothbaum ..... D8/356  
 D706,118 S \* 6/2014 Rothbaum ..... D8/356  
 D708,505 S \* 7/2014 Rothbaum ..... D8/356  
 D708,930 S \* 7/2014 Rothbaum ..... D8/356  
 D710,360 S \* 8/2014 Hu ..... D14/411

D718,118 S \* 11/2014 Rothbaum ..... D8/356  
 D723,036 S \* 2/2015 Longo ..... D14/432  
 D727,903 S \* 4/2015 Madsen ..... G06F 3/03545  
 D14/411  
 D729,615 S \* 5/2015 Rothbaum ..... D8/356  
 D729,616 S \* 5/2015 Rothbaum ..... D8/356  
 D729,617 S \* 5/2015 Rothbaum ..... D8/356  
 D730,160 S \* 5/2015 Rothbaum ..... D8/356  
 D733,525 S \* 7/2015 Petzl ..... D8/349  
 D736,602 S \* 8/2015 Rothbaum ..... D8/356  
 D746,663 S \* 1/2016 Rothbaum ..... D8/356  
 D747,178 S \* 1/2016 Rothbaum ..... D8/356  
 D750,956 S \* 3/2016 Rothbaum ..... D8/356  
 D759,468 S \* 6/2016 Rothbaum ..... D8/356  
 D766,711 S \* 9/2016 Babbage ..... D8/394  
 D780,761 S \* 3/2017 Bouchard ..... D14/411  
 D781,685 S \* 3/2017 Rothbaum ..... D8/356  
 D781,686 S \* 3/2017 Rothbaum ..... D8/356  
 D782,286 S \* 3/2017 Rothbaum ..... D8/356  
 D788,108 S \* 5/2017 Cai ..... D14/411  
 D789,373 S \* 6/2017 King ..... D14/434  
 D789,374 S \* 6/2017 King ..... D14/434  
 2011/0305496 A1 \* 12/2011 Jolani ..... B43K 23/001  
 401/6  
 2013/0334385 A1 \* 12/2013 Steck ..... A63B 29/024  
 248/231.9  
 2016/0123525 A1 \* 5/2016 Nguyen ..... A45F 5/00  
 248/534  
 2017/0097698 A1 \* 4/2017 Maeshima ..... G06F 3/03545  
 \* cited by examiner

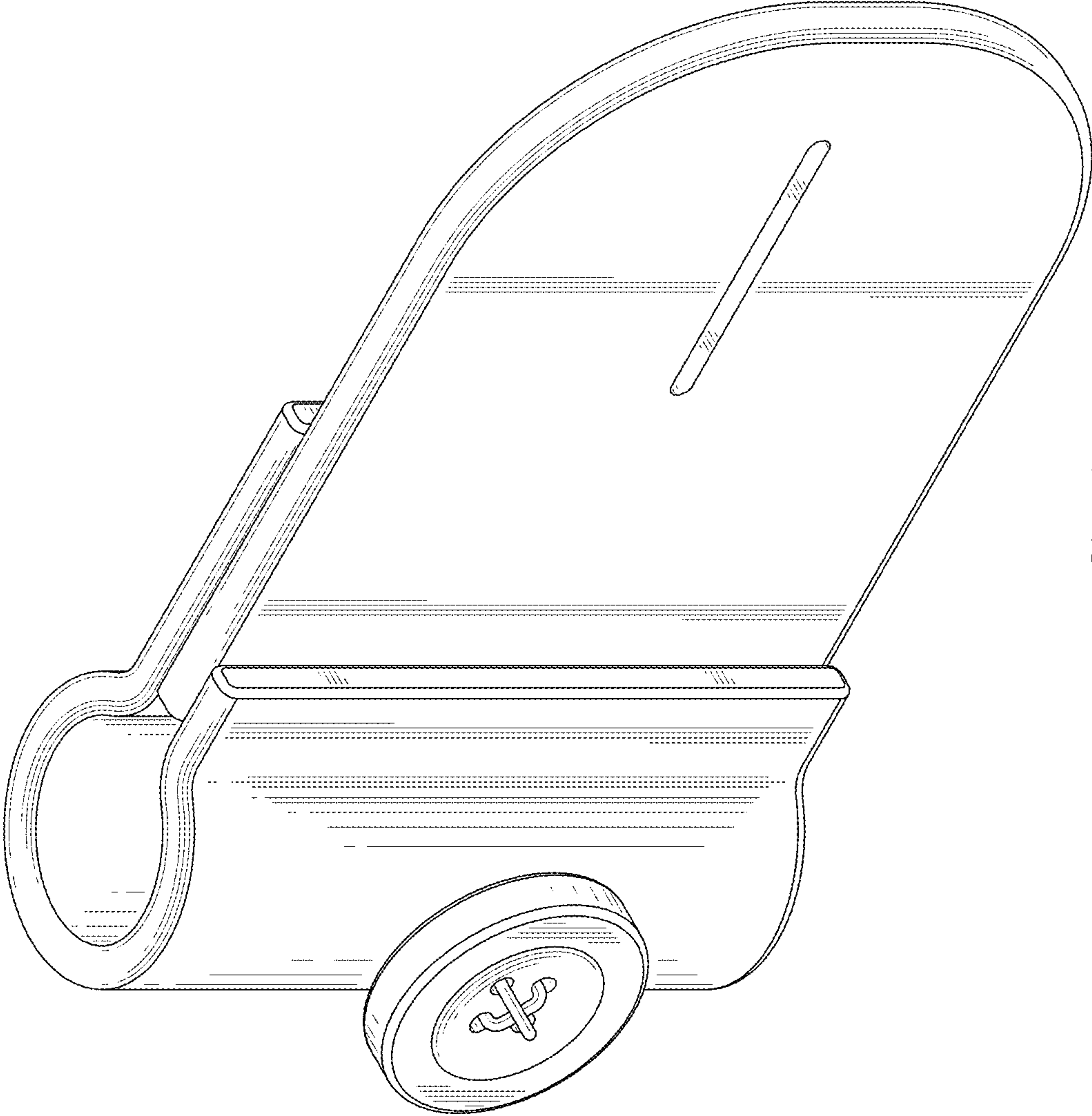


FIG. 1

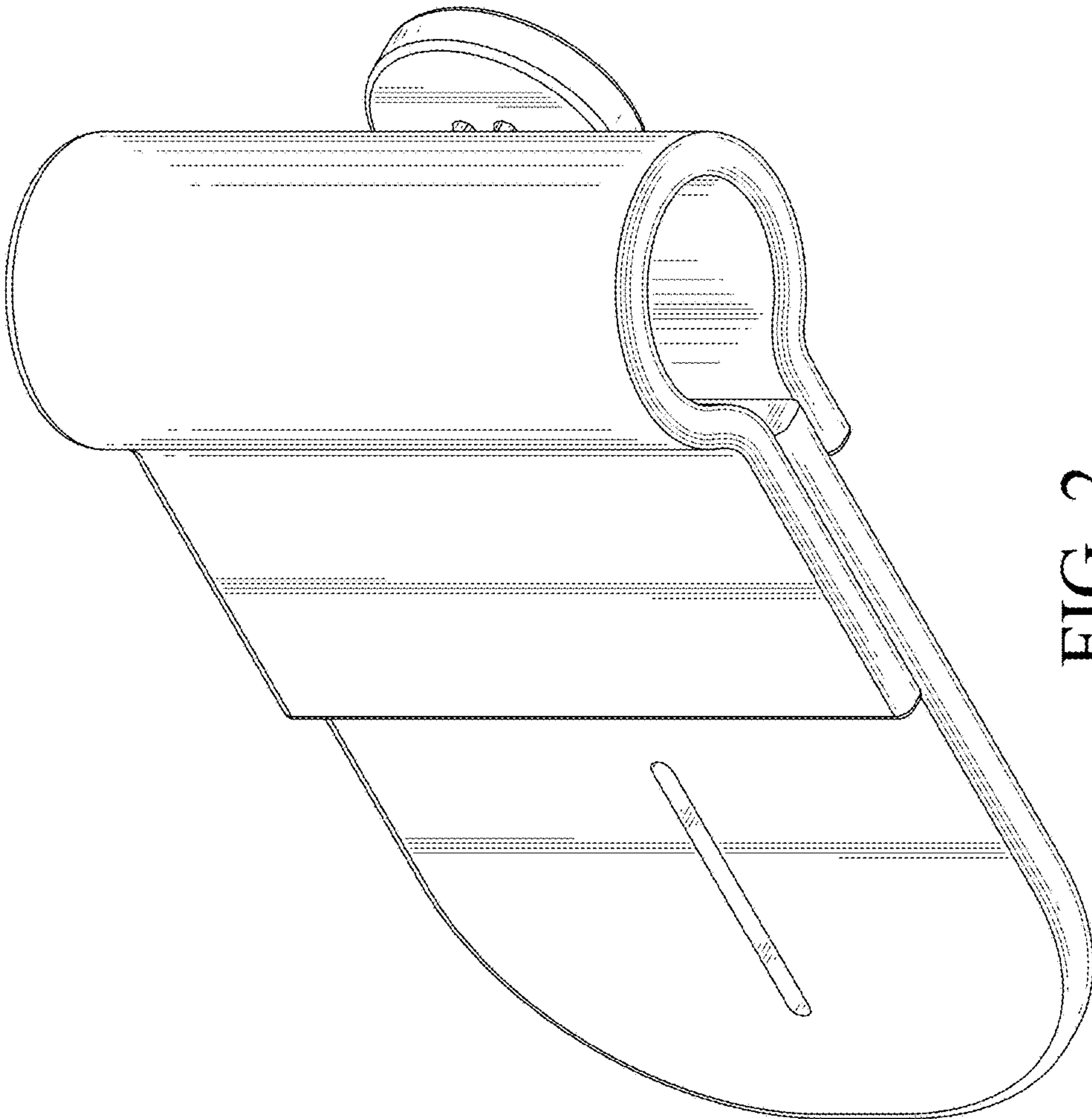


FIG. 2



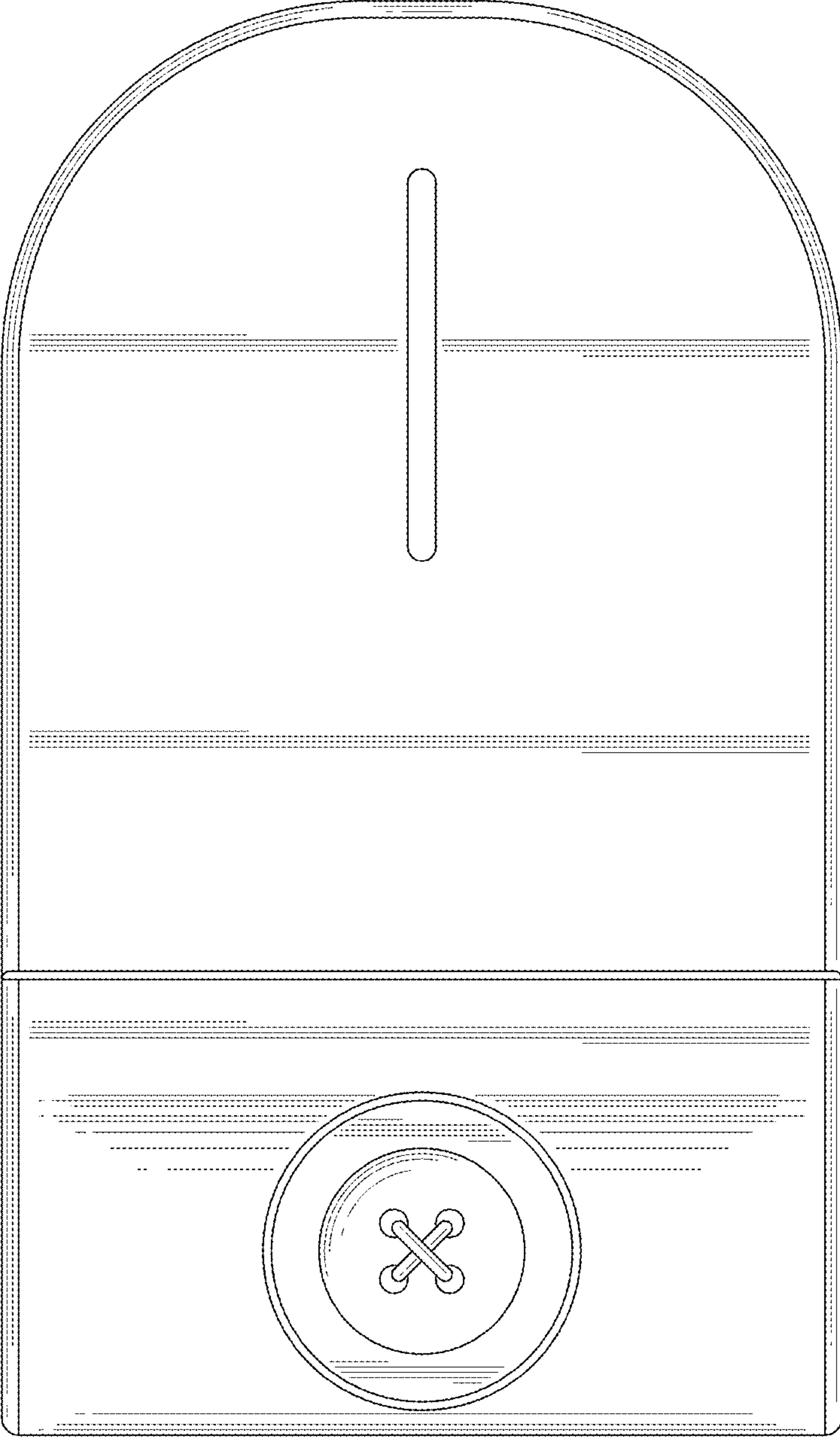


FIG. 3

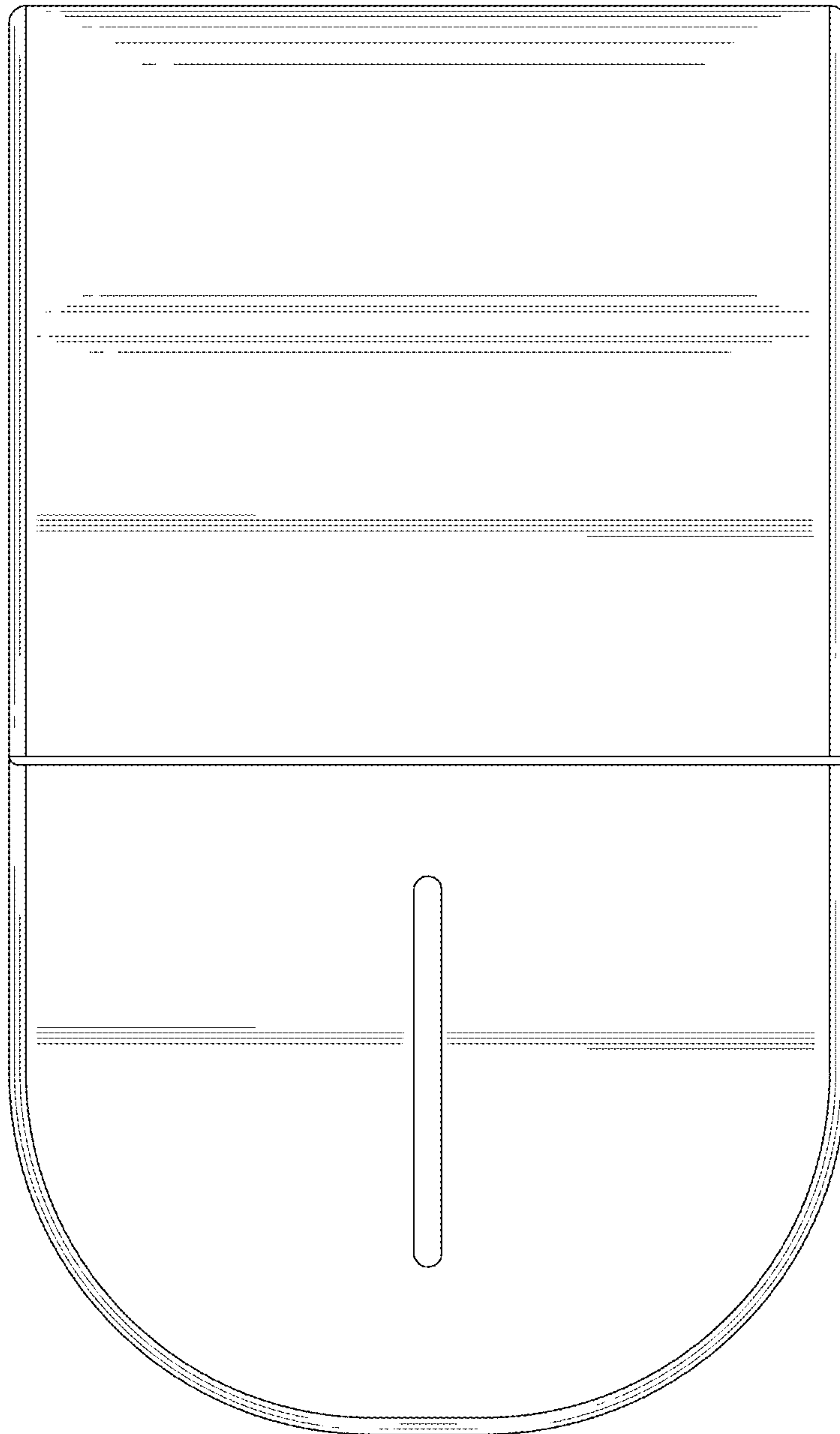


FIG. 4

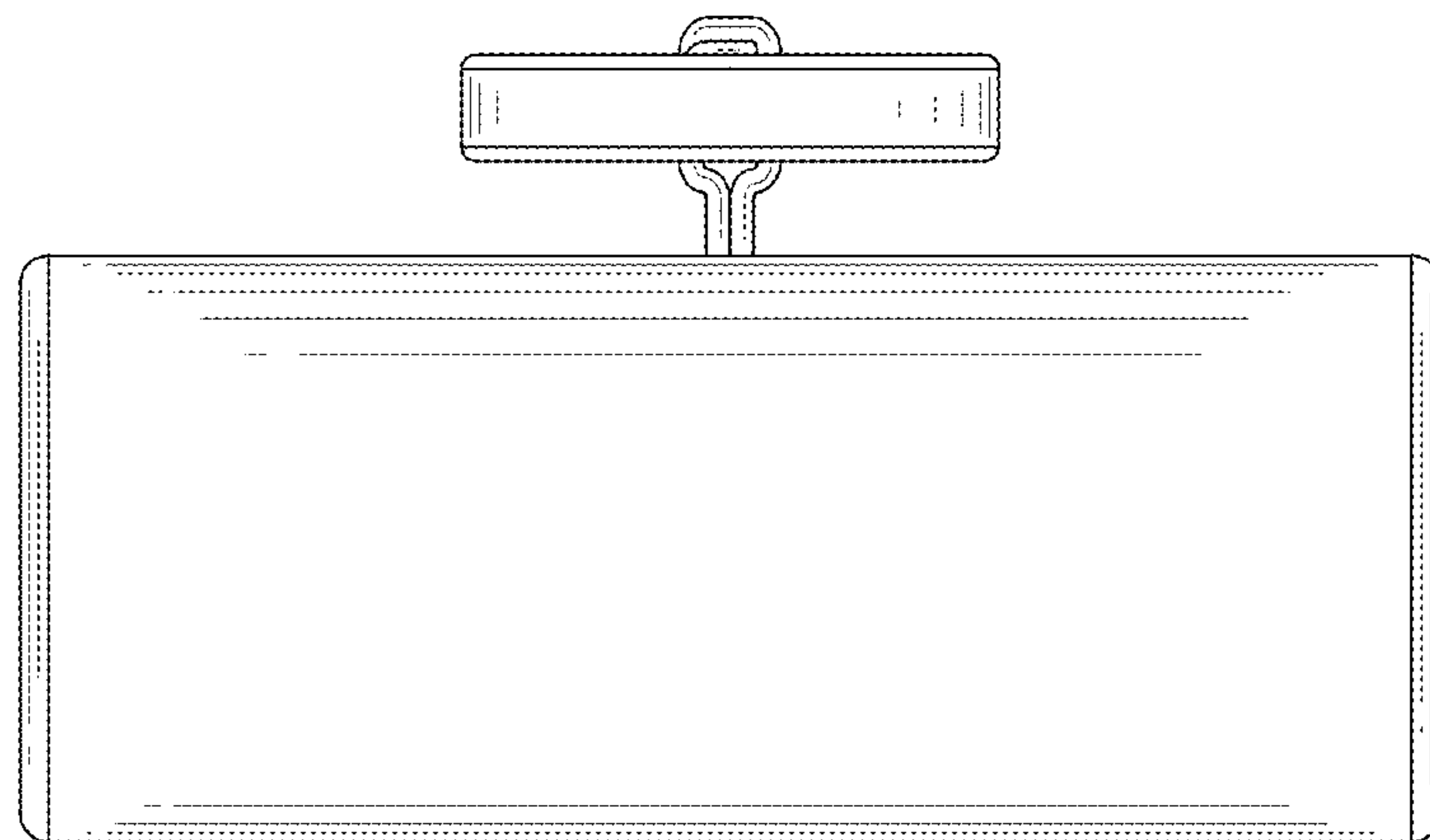


FIG. 5

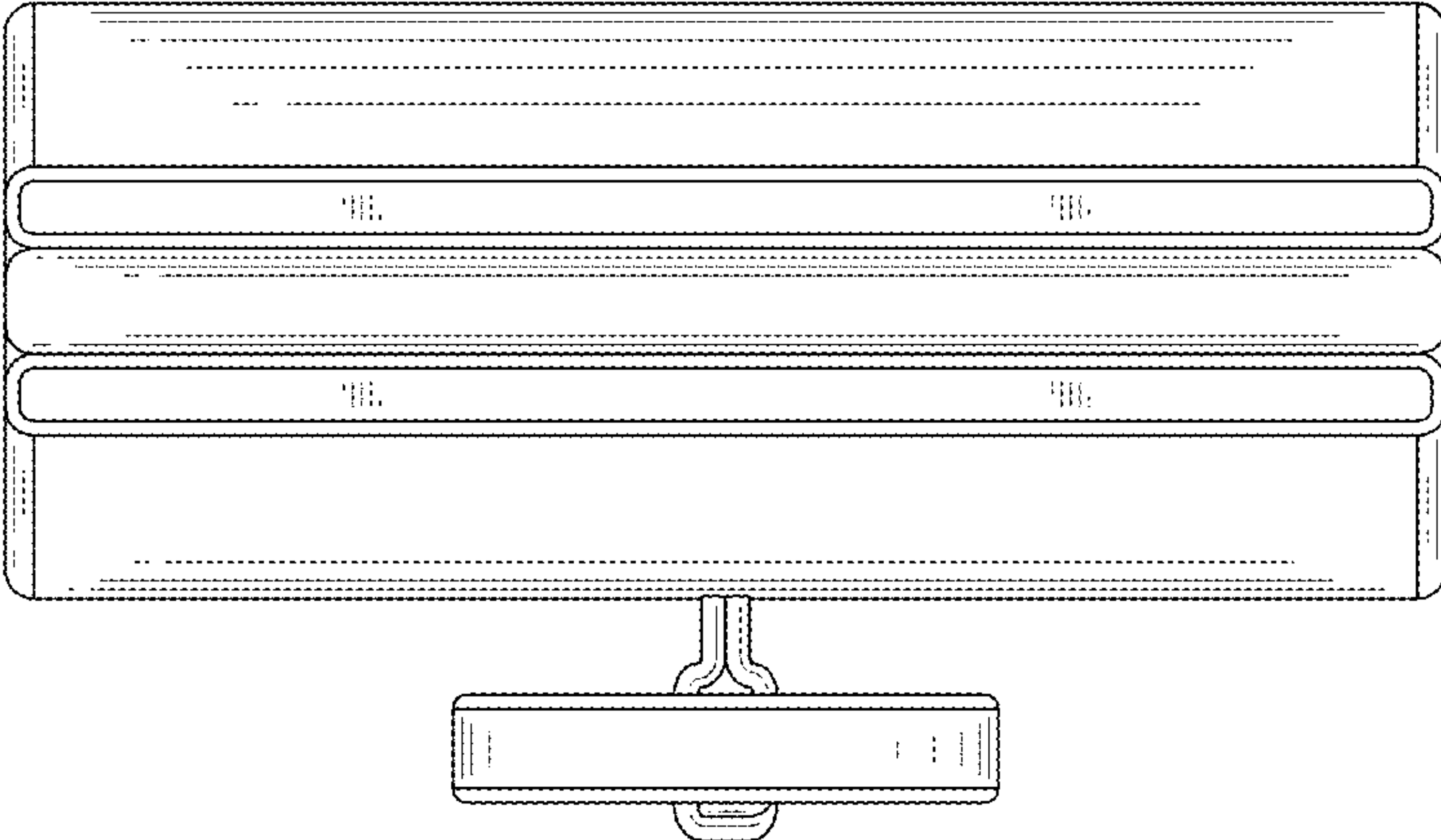


FIG. 6



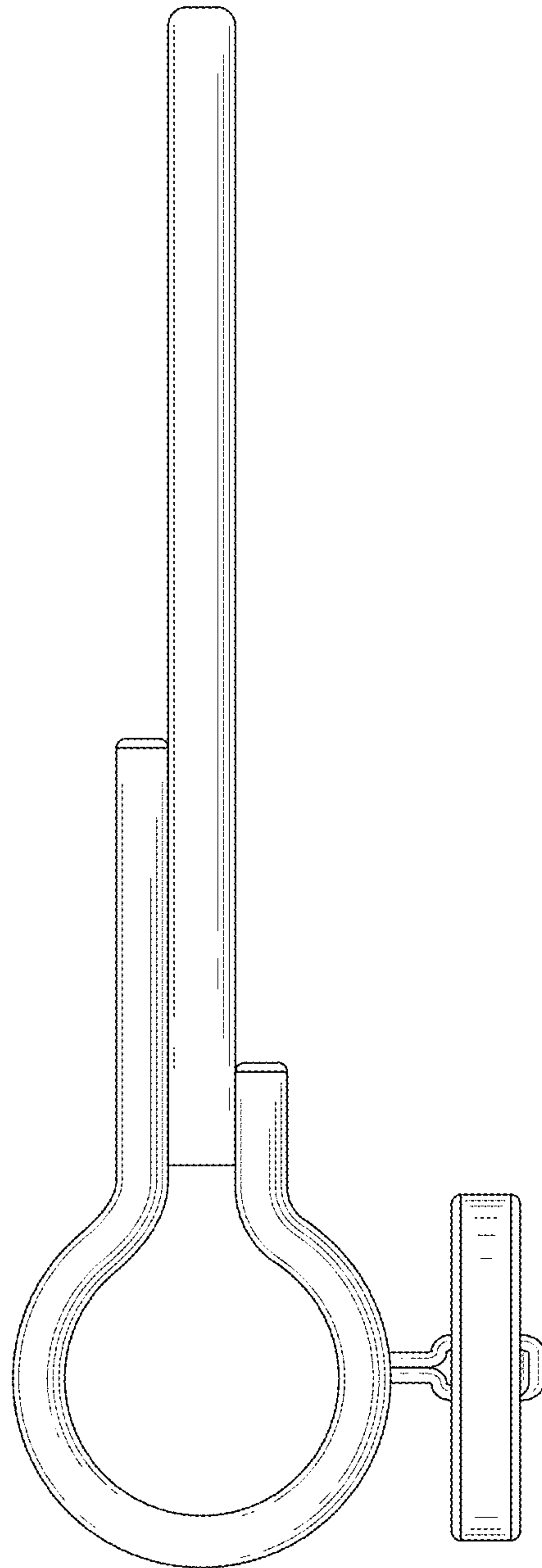


FIG. 7

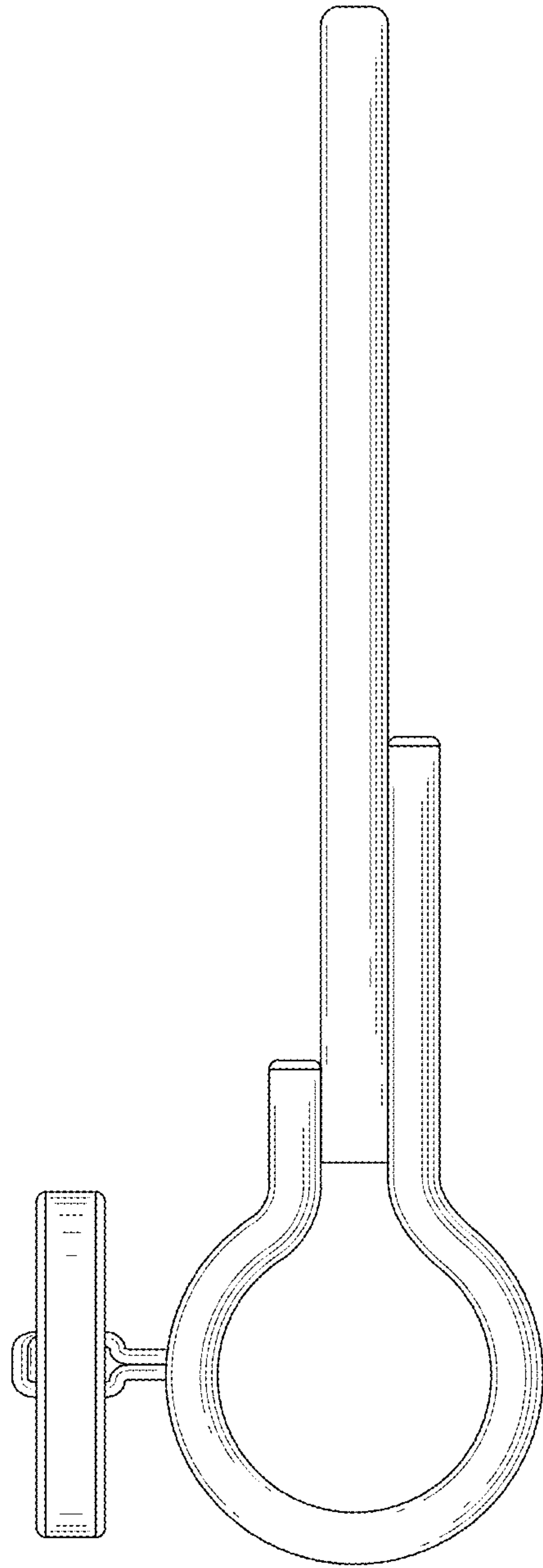


FIG. 8

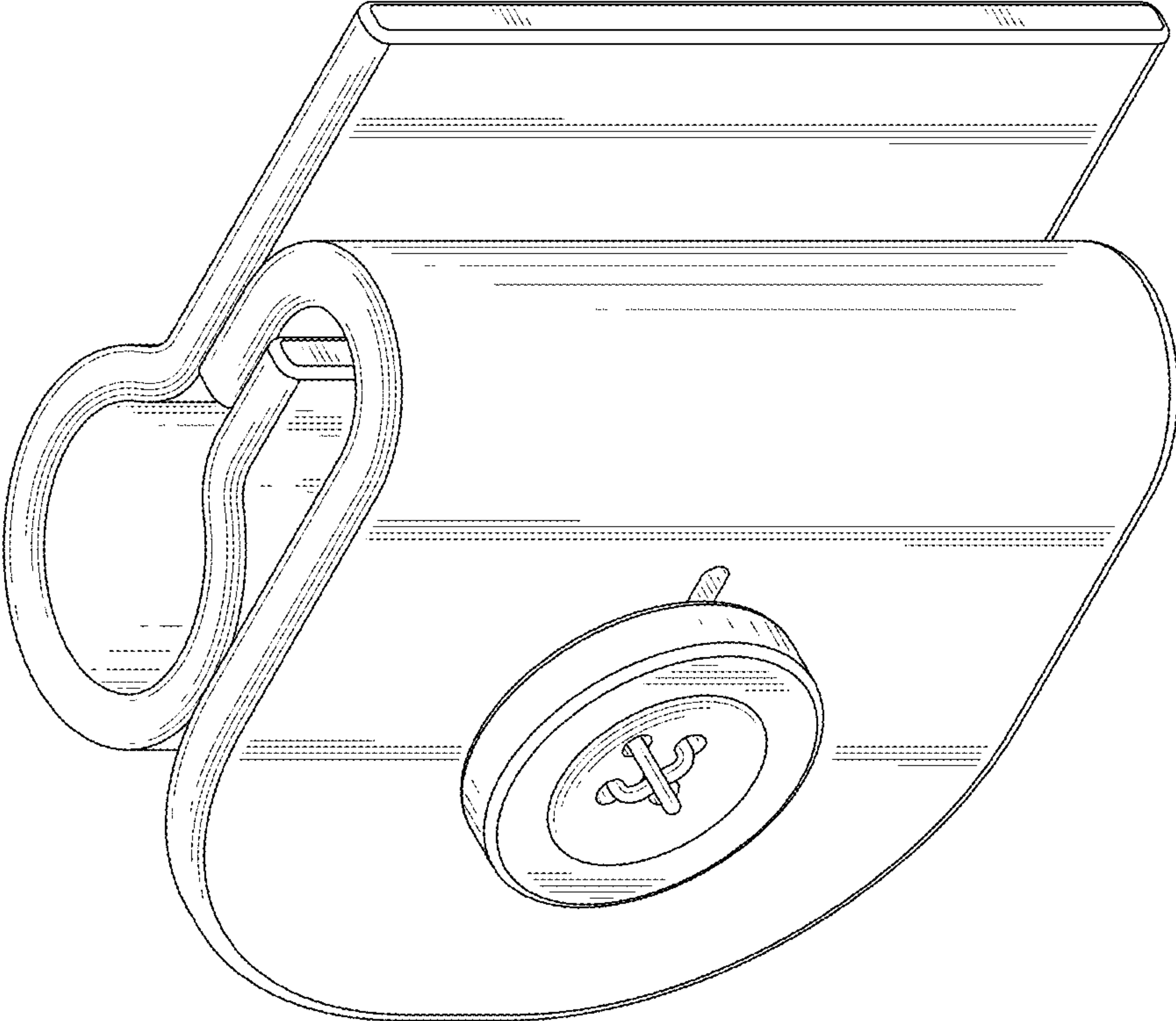


FIG. 9

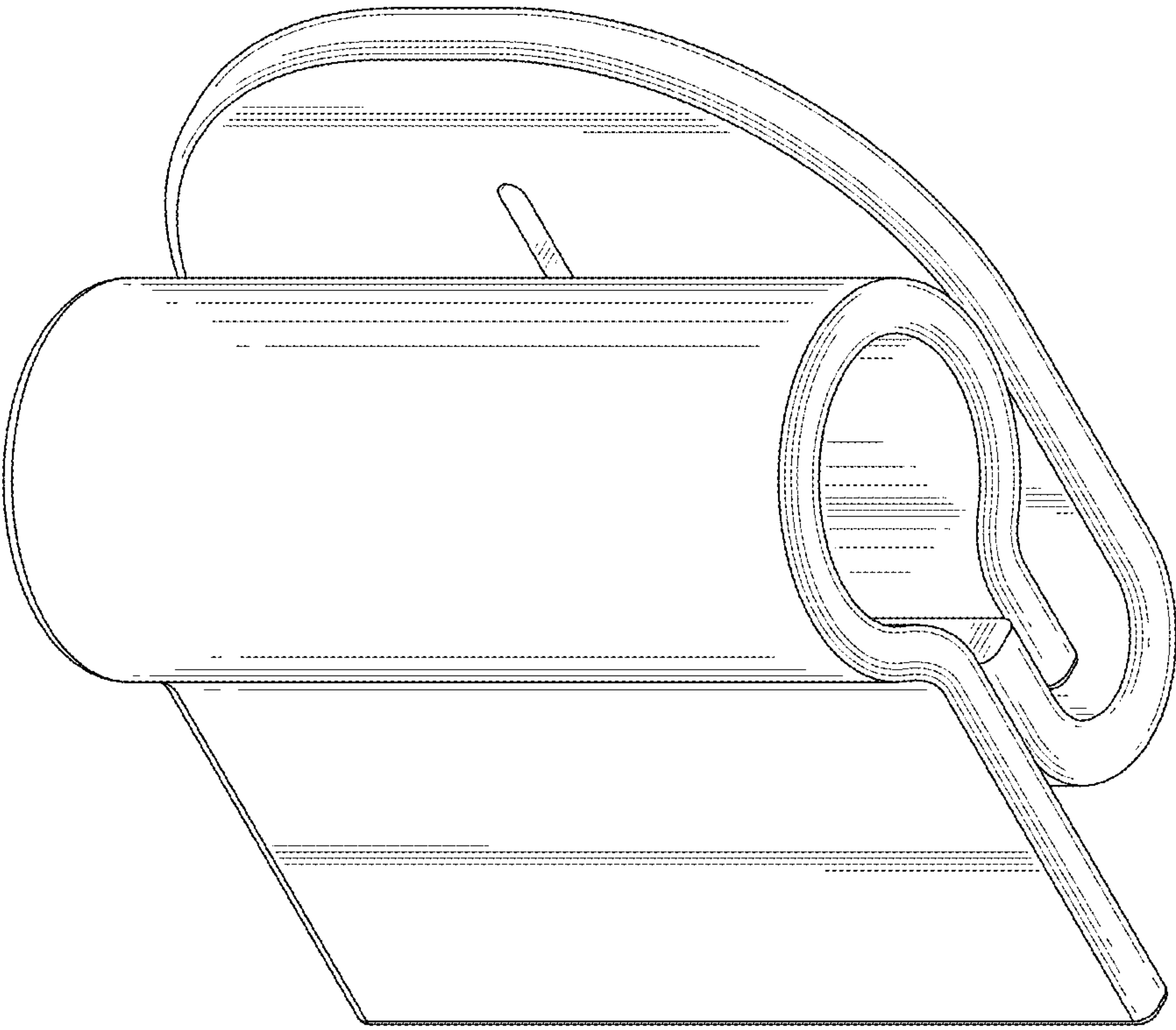


FIG. 10

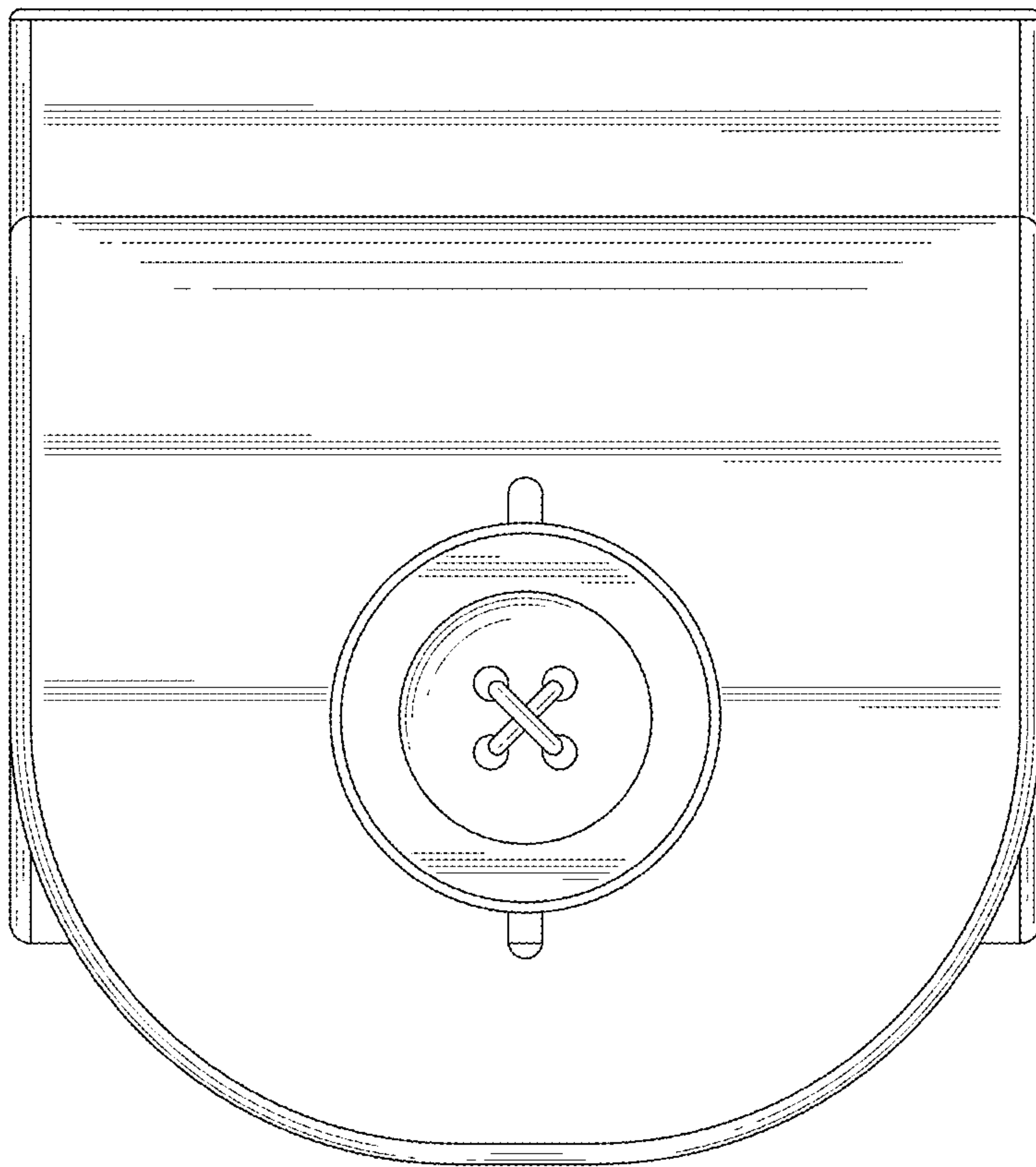


FIG. 11

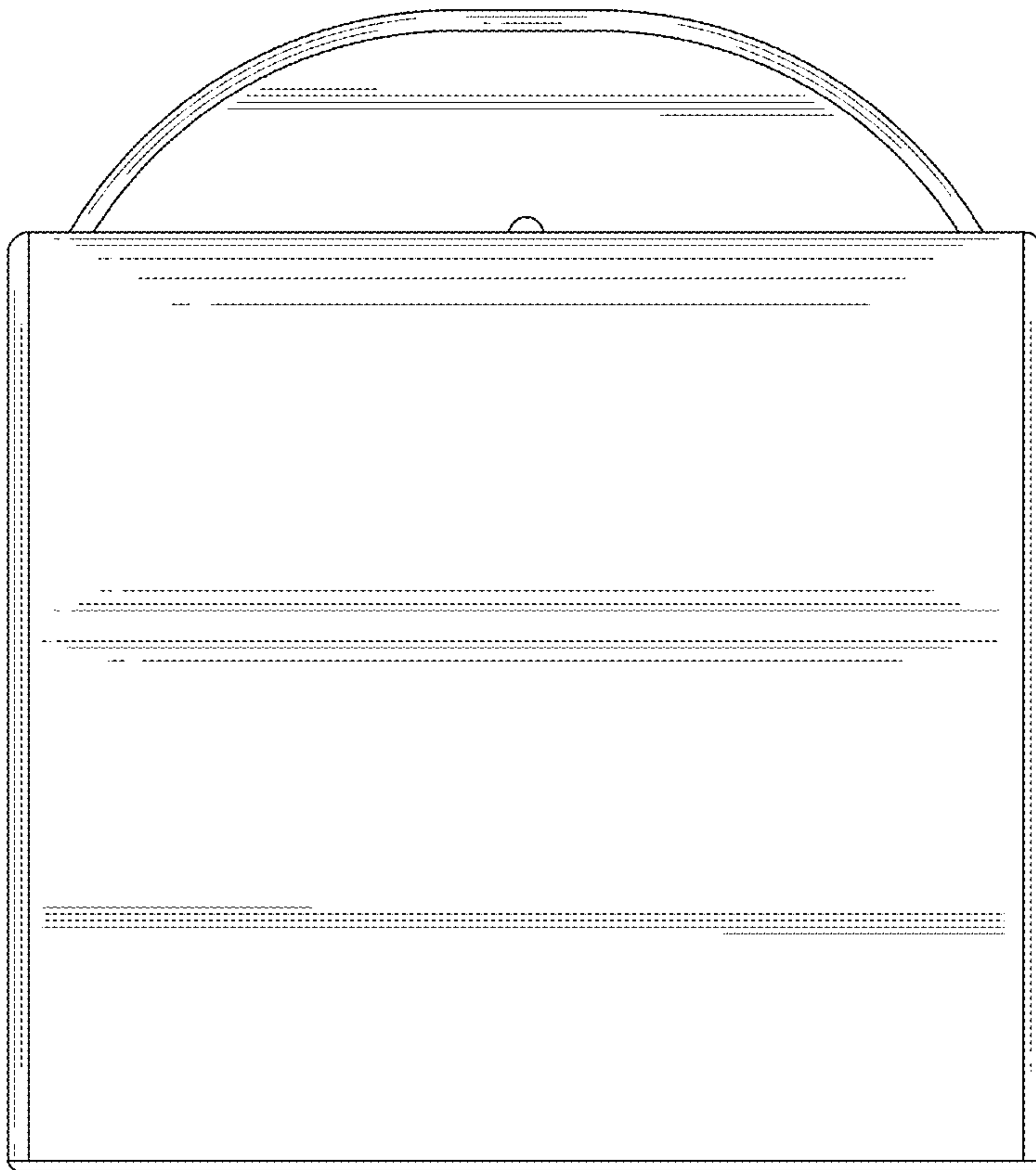


FIG. 12



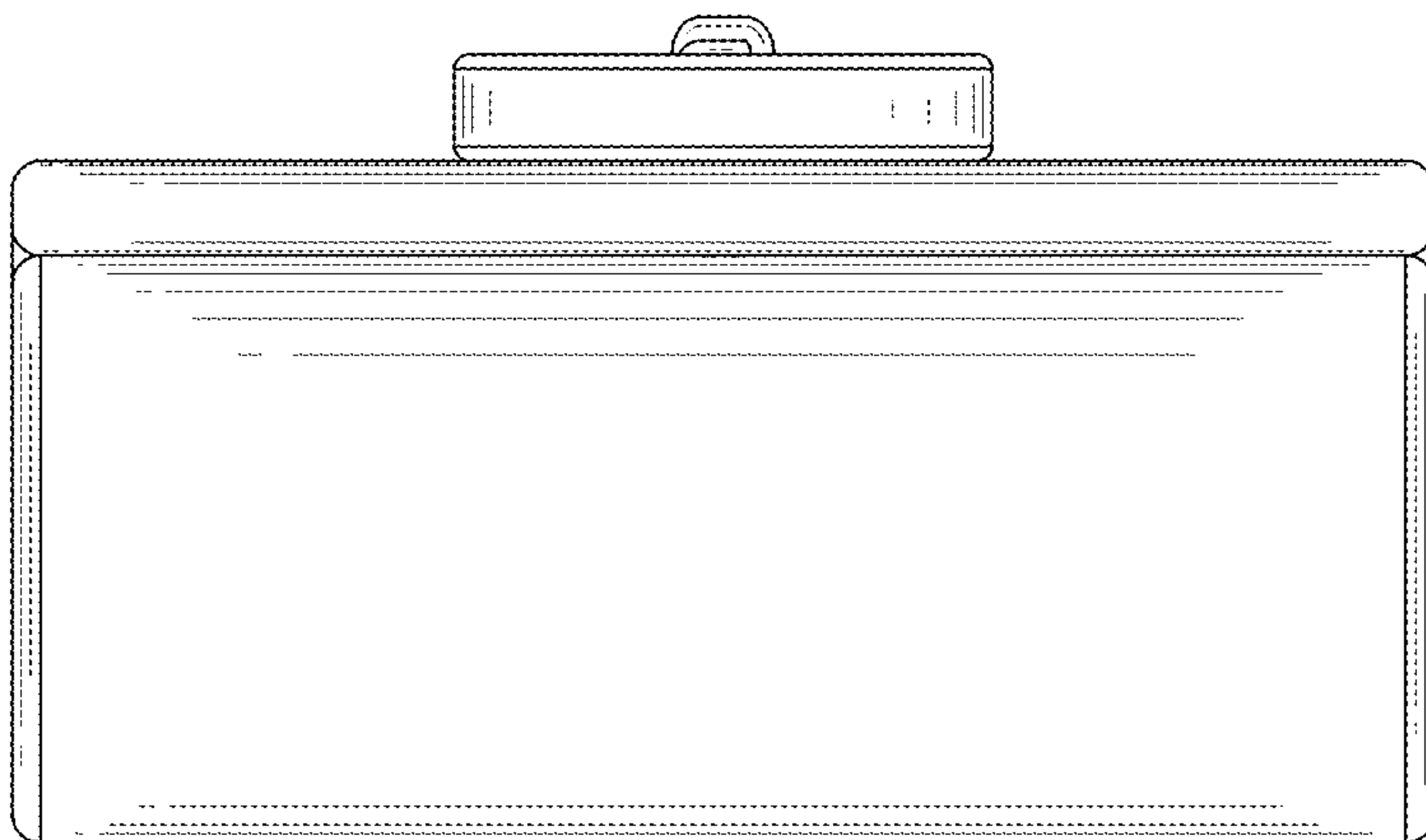


FIG. 13

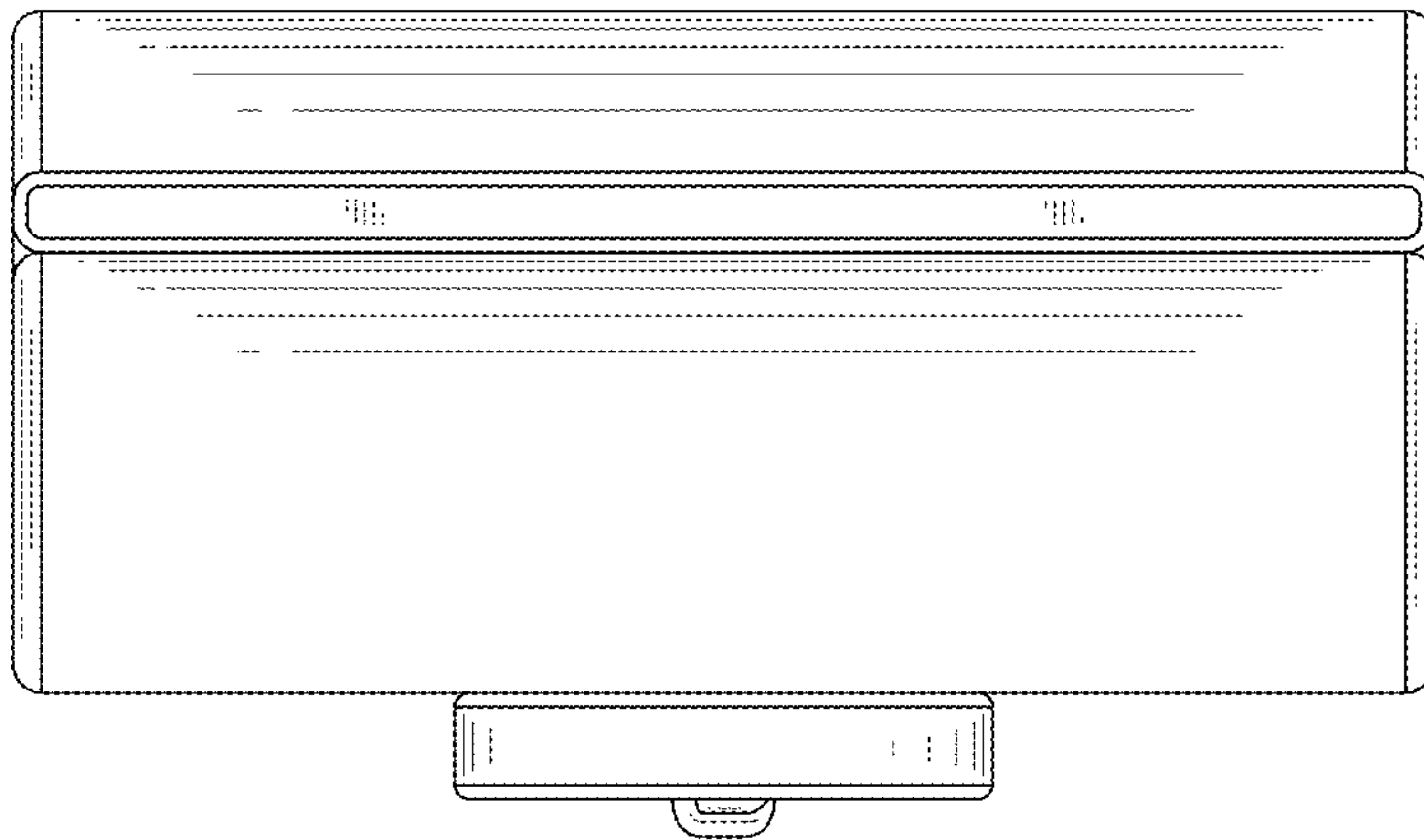


FIG. 14

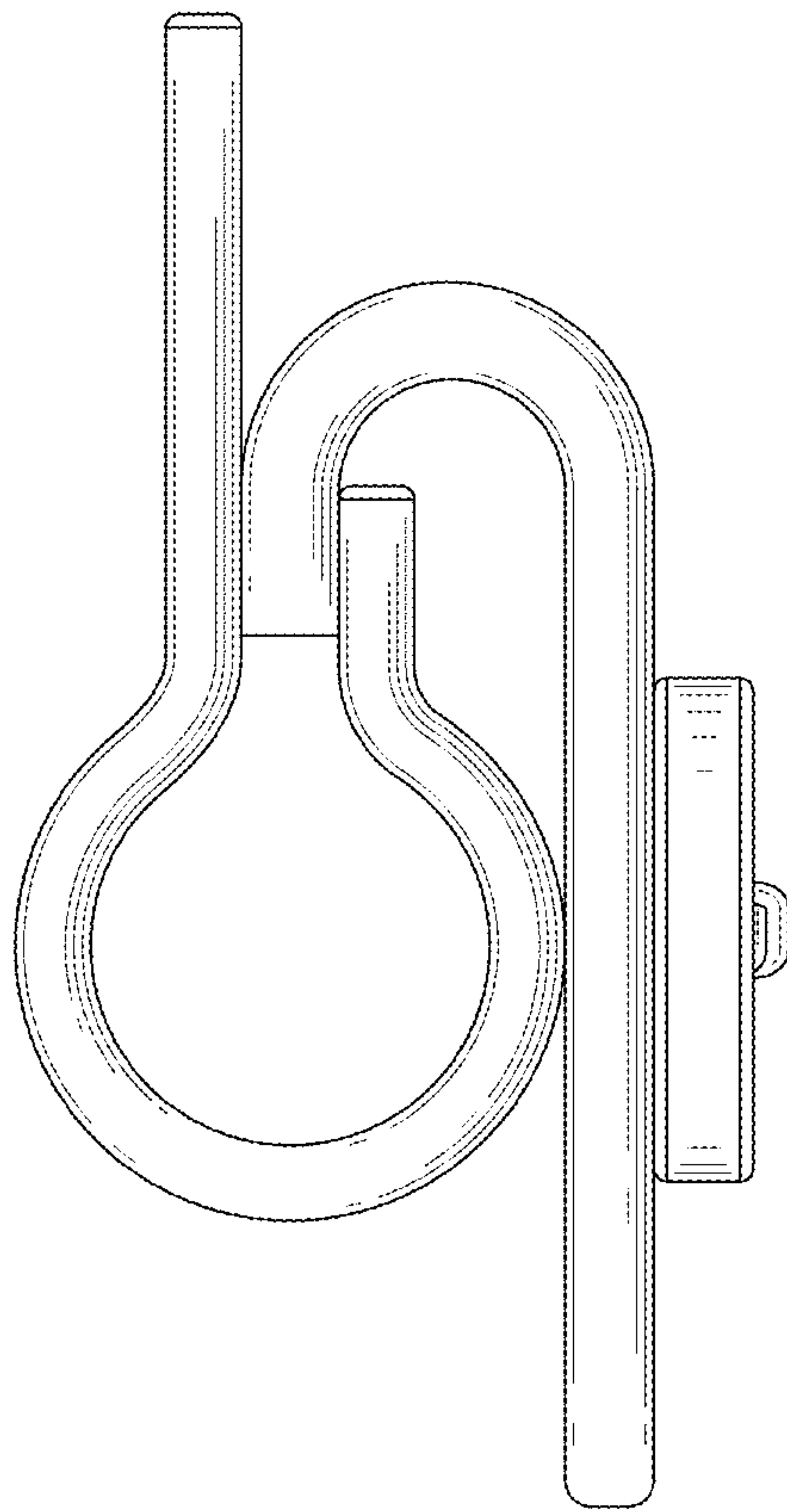


FIG. 15

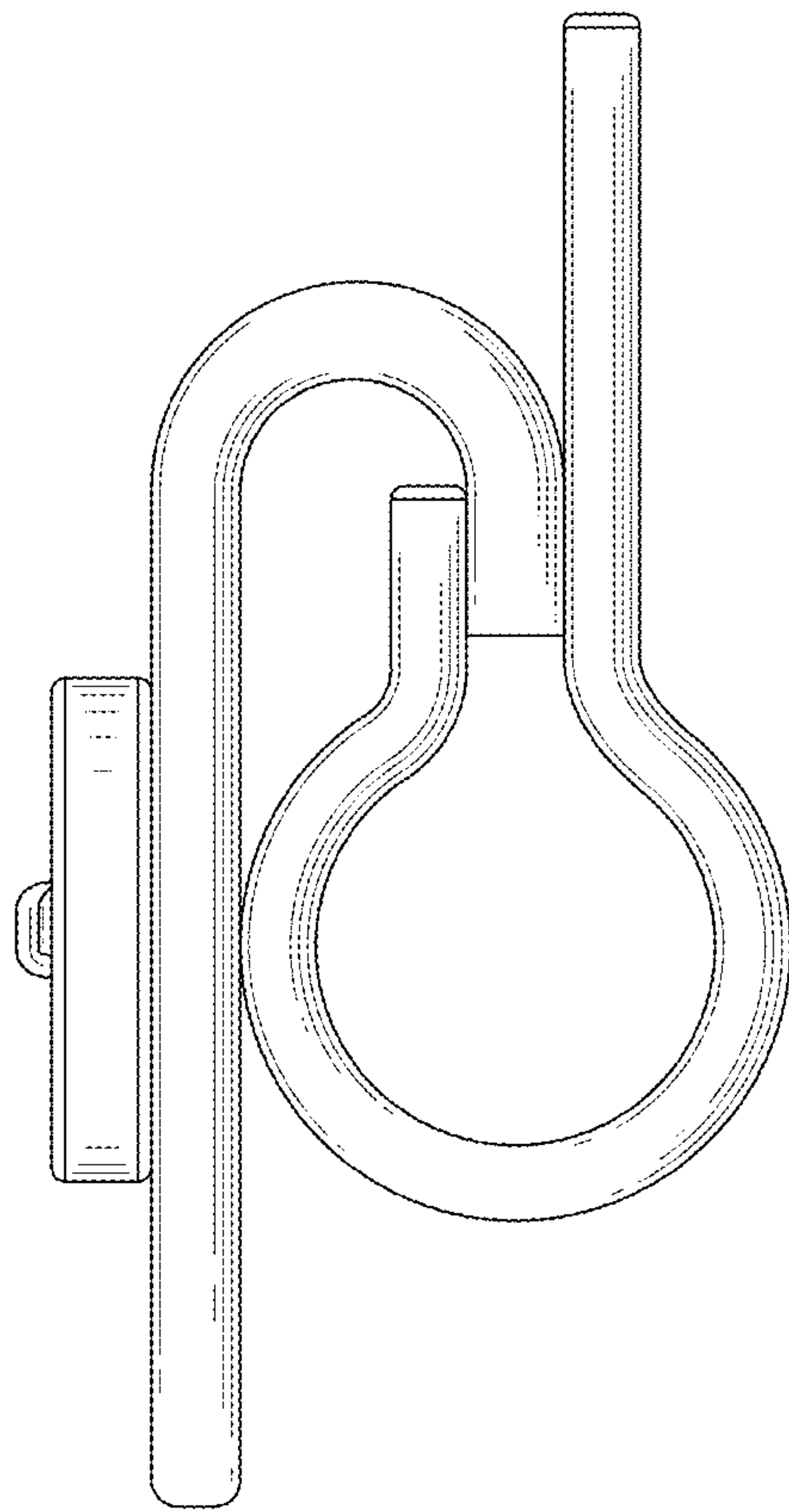


FIG. 16