



US00D811406S

(12) **United States Design Patent** (10) **Patent No.:** **US D811,406 S**  
**MacDonald et al.** (45) **Date of Patent:** **\*\* Feb. 27, 2018**

(54) **OVERLAY TRAY**

(71) Applicant: **Belkin International, Inc.**, Playa Vista, CA (US)

(72) Inventors: **Eric A. MacDonald**, Rancho Cucamonga, CA (US); **John F. Wadsworth**, Burbank, CA (US); **David A. Kleeman**, Marina del Rey, CA (US); **Mitchell Suckle**, Long Beach, CA (US)

(73) Assignee: **BELKIN INTERNATIONAL, INC.**, Playa Vista, CA (US)

(\*\*) Term: **15 Years**

(21) Appl. No.: **29/566,348**

(22) Filed: **May 27, 2016**

(51) **LOC (11) Cl.** ..... **14-02**

(52) **U.S. Cl.**  
USPC ..... **D14/432**

(58) **Field of Classification Search**  
USPC ..... D14/316-319, 432-439, 442, 451-454, D14/496, 495, 391, 385, 367, 356; D8/331, 330; D18/50, 4.6, 4.5; 439/630, 439/635, 639, 160; 360/2; 235/492, 486, 235/479, 380  
CPC ..... G06F 1/1643; G06F 1/169; H04B 1/3888  
See application file for complete search history.

(56) **References Cited**

**U.S. PATENT DOCUMENTS**

4,285,559 A 8/1981 Koch  
D305,648 S 1/1990 Edington  
4,895,231 A 1/1990 Yamaguchi et al.  
5,069,732 A 12/1991 Levine  
5,680,709 A 10/1997 Stone  
5,805,251 A \* 9/1998 Ozawa ..... G02F 1/133308  
174/36

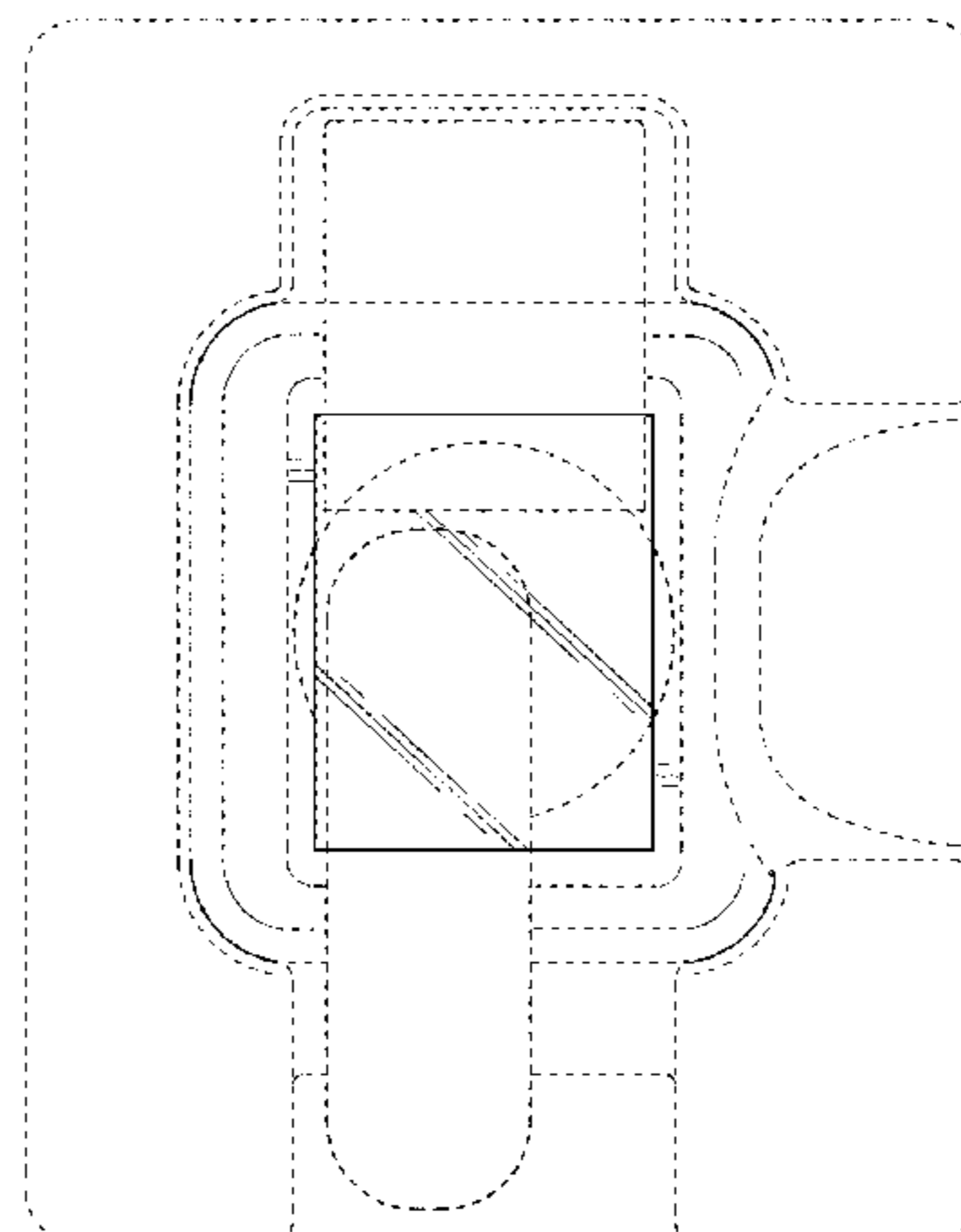
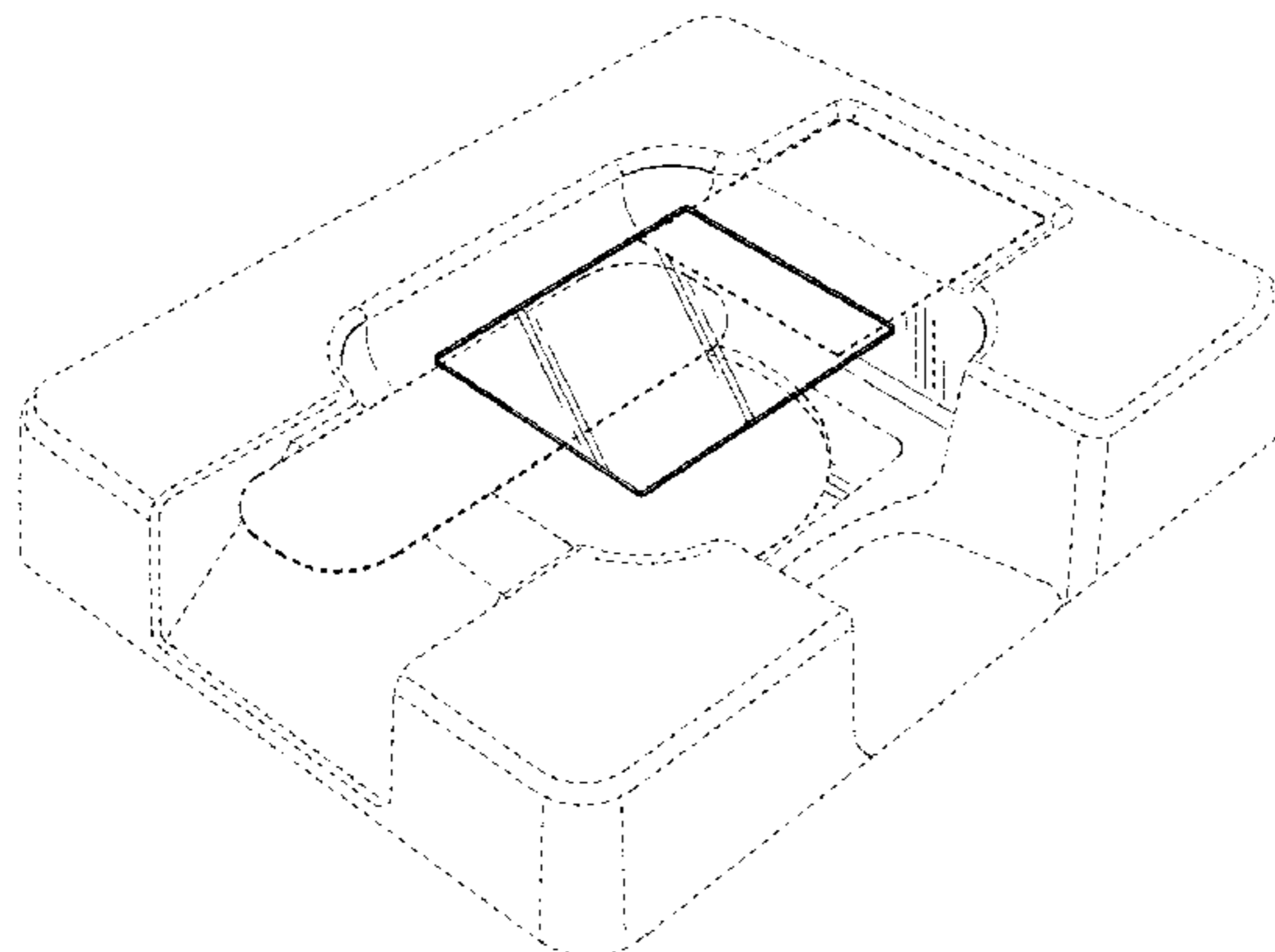
6,406,758 B1 6/2002 Bottari et al.  
7,084,859 B1 8/2006 Pryor  
D578,164 S 10/2008 Ingle  
D598,024 S 8/2009 Scott et al.  
D601,959 S 10/2009 Lee

D601,960 S 10/2009 Dai  
7,697,827 B2 4/2010 Konicek  
D627,826 S 11/2010 Halimi  
7,957,524 B2 6/2011 Chipping  
7,966,861 B2 6/2011 Yee et al.  
D641,210 S 7/2011 Hamilton  
8,044,942 B1 \* 10/2011 Leonhard ..... G06F 1/1637  
345/173

8,047,365 B1 11/2011 Lin  
D651,214 S 12/2011 Yoo et al.  
D651,791 S 1/2012 Cataldo et al.  
D658,164 S 4/2012 Chan  
D665,809 S 8/2012 Wang et al.  
8,369,072 B1 \* 2/2013 Alonzo ..... G06F 1/1628  
361/679.01

8,393,377 B2 3/2013 Patel et al.  
D679,753 S 4/2013 Sato et al.  
D680,166 S 4/2013 Sato et al.  
8,517,367 B1 8/2013 Napier  
D690,704 S 10/2013 Padilla et al.  
8,564,538 B2 10/2013 Wadsworth  
D694,240 S 11/2013 Cho  
8,640,759 B2 2/2014 Chen  
8,675,353 B1 \* 3/2014 Alonzo ..... G06F 1/1628  
361/679.01

D707,217 S 6/2014 Toulotte  
D710,843 S 8/2014 Akana  
D713,397 S \* 9/2014 Du ..... D14/250  
D714,053 S 9/2014 Yoo  
8,821,659 B2 9/2014 Ng et al.  
D715,301 S 10/2014 Ashcraft et al.  
D715,784 S 10/2014 Lin et al.  
D720,353 S 12/2014 Nakamura  
D721,359 S 1/2015 Kim  
8,931,770 B1 1/2015 Kaminski  
9,001,502 B1 4/2015 Cowan  
9,010,396 B2 4/2015 Patel et al.  
D729,235 S 5/2015 Nagao et al.  
D734,311 S 7/2015 Takamoto et al.  
9,089,085 B2 7/2015 Patel et al.  
9,159,260 B2 10/2015 Oh  
D743,402 S 11/2015 Ehara et al.  
D746,265 S 12/2015 Colby et al.  
D747,320 S 1/2016 Snyder et al.  
D751,556 S 3/2016 Conley et al.  
D751,557 S 3/2016 Lane  
D759,640 S 6/2016 Wadsworth  
D767,550 S \* 9/2016 Beaupre ..... D14/250  
D769,857 S 10/2016 Shin et al.  
D772,199 S 11/2016 Igarashi  
D773,927 S 12/2016 Cernokus et al.  
D776,123 S 1/2017 Akana et al.  
D777,714 S 1/2017 Akana et al.



# US D811,406 S

D778,869	S	2/2017	Kim et al.	CN	102632674	8/2012
D781,861	S *	3/2017	Lane ..... D14/432	CN	202623469	12/2012
D783,024	S *	4/2017	Conley ..... D14/432	CN	202896928	4/2013
9,662,860	B2 *	5/2017	Wadsworth ..... B32B 7/06	CN	202967060	6/2013
9,688,016	B2 *	6/2017	Rostami ..... B29C 63/0004	CN	203077741	7/2013
9,701,062	B2 *	7/2017	Wadsworth ..... B29C 65/7808	EM	0024866540001	6/2004
9,701,096	B2 *	7/2017	Beaupre ..... B32B 7/06	EM	0024866540002	6/2004
2002/0054030	A1	5/2002	Murphy	EM	0024866540003	6/2004
2004/0109096	A1	6/2004	Anderson et al.	EM	0024866540004	6/2004
2004/0246386	A1	12/2004	Thomas et al.	EM	0024866540005	6/2004
2005/0030296	A1	2/2005	Stohrer et al.	EM	0024866540006	6/2004
2005/0164148	A1	7/2005	Sinclair	EM	0024866540007	6/2004
2007/0013662	A1	1/2007	Fauth	EM	0024866540008	6/2004
2007/0058990	A1	3/2007	Weaver et al.	EM	0024866960001	6/2004
2007/0115621	A1	5/2007	Guillen	EM	0024866960002	6/2004
2007/0229962	A1	10/2007	Mason, Jr.	EM	0024866960003	6/2004
2007/0247793	A1	10/2007	Carnevali	EM	0024866960004	6/2004
2007/0293282	A1	12/2007	Lewis et al.	EM	0024866960005	6/2004
2009/0015509	A1 *	1/2009	Gottwald ..... H01Q 1/3233 343/878	EM	0024866960006	6/2004
				EM	0024866960007	6/2004
2009/0133219	A1	5/2009	Lowry et al.	EM	0024866960008	6/2004
2009/0186181	A1	7/2009	Mase	EM	0024866960009	6/2004
2009/0314400	A1 *	12/2009	Liu ..... A45C 11/00 150/165	EM	0024866960010	6/2004
				EM	0024866960011	6/2004
2010/0053926	A1 *	3/2010	Shi ..... H05K 9/0032 361/816	EM	0024866960012	6/2004
				EM	0024866960013	6/2004
2010/0079972	A1 *	4/2010	Chen ..... H05K 9/0032 361/818	EM	0024866960014	6/2004
				EM	0024866960015	6/2004
2010/0097757	A1 *	4/2010	Wang ..... H05K 9/0032 361/693	EM	0024866960016	6/2004
				EM	0024867120001	6/2004
				EM	0024867120002	6/2004
2010/0309152	A1	12/2010	Kusuda et al.	EM	0024867120003	6/2004
2011/0206887	A1	8/2011	Kim	EM	0024867120004	6/2004
2011/0267793	A1	11/2011	Cohen	EM	0024867120005	6/2004
2011/0279383	A1	11/2011	Wilson et al.	EM	0024867120006	6/2004
2011/0309608	A1	12/2011	Flynn et al.	EM	0024867120007	6/2004
2012/0043015	A1	2/2012	Feller	EM	0024867120008	6/2004
2012/0063077	A1 *	3/2012	Tomobe ..... H04M 1/0264 361/679.01	EM	0024867120009	6/2004
				EM	0024867120010	6/2004
2012/0076967	A1	3/2012	Muramatsu	EM	0024867120011	6/2004
2012/0087072	A1	4/2012	McGuire et al.	EM	0024867120012	6/2004
2012/0110868	A1	5/2012	Abbondanzio	EM	0024867120013	6/2004
2012/0183712	A1	7/2012	Leonhard et al.	EM	0024867120014	6/2004
2012/0211168	A1	8/2012	Patel et al.	EM	0024867120015	6/2004
2012/0211170	A1	8/2012	Patel et al.	EM	0024867120016	6/2004
2012/0261930	A1	10/2012	Bethea	JP	10199422	7/1998
2012/0268394	A1	10/2012	Hsu et al.	JP	2002049327	2/2002
2012/0276318	A1	11/2012	Franke	JP	2002057764	2/2002
2013/0020005	A1	1/2013	Koblick et al.	JP	2003066419	3/2003
2013/0020020	A1 *	1/2013	Liu ..... B29C 63/02 156/247	JP	2006145918	6/2006
				JP	2006155452	6/2006
2013/0040088	A1	2/2013	Hirayama et al.	JP	3124275	8/2006
2013/0048203	A1	2/2013	Yau et al.	JP	3180690	12/2012
2013/0156999	A1	6/2013	Braesch et al.	KR	200454225	6/2011
2013/0184845	A1	7/2013	Hales	KR	101080018	11/2011
2013/0237296	A1	9/2013	Chen	KR	101135144	4/2012
2013/0264235	A1	10/2013	Lin	KR	101176316	8/2012
2014/0047708	A1	2/2014	Chae	KR	1020130043720	5/2013
2014/0055927	A1	2/2014	Wang	KR	300704457	8/2013
2014/0124146	A1	5/2014	Patel et al.	KR	300704458	8/2013
2014/0250964	A1	9/2014	Dai et al.	KR	300704459	8/2013
2014/0332417	A1	11/2014	Wicks et al.	KR	300704460	8/2013
2014/0338829	A1	11/2014	Peng et al.	KR	1020130092713	8/2013
2015/0000831	A1	1/2015	Wang	KR	1020130092804	8/2013
2015/0041069	A1 *	2/2015	Wadsworth ..... B29C 63/024 156/535	KR	300720375	12/2013
				KR	300720376	12/2013
2015/0047773	A1 *	2/2015	Wadsworth ..... B29C 63/0047 156/182	KR	101408663	6/2014
				KR	1020140070046	6/2014
2015/0107767	A1 *	4/2015	Wadsworth ..... B29C 66/861 156/324	KR	1020140076245	6/2014
				KR	101468710	12/2014
2015/0121691	A1	5/2015	Wang	KR	200475419	12/2014
2015/0227226	A1	8/2015	Wierenga et al.	KR	200475420	12/2014
2015/0362736	A1	12/2015	Kowasic	KR	1020140136596	12/2014
2017/0001364	A1	1/2017	MacDonald et al.	KR	1020140142904	12/2014
				KR	1020140143262	12/2014
				KR	1020150006910	1/2015
				KR	200476916	4/2015
CN	201456516	5/2010		KR	1020150039292	4/2015
CN	201538078	8/2010		KR	2020150001663	5/2015

FOREIGN PATENT DOCUMENTS

KR	300804459	7/2015
KR	1020160022665	3/2016
KR	1020160022755	3/2016
KR	1020160061078	5/2016
KR	1020160088067	7/2016
KR	1020160091491	8/2016
KR	2020170000128	1/2017
TW	I401223	7/2013
WO	2004005141	1/2004
WO	2005058705	6/2005
WO	WO2011065796	6/2011
WO	2011163151	12/2011
WO	2012074802	6/2012
WO	2012141505	10/2012

OTHER PUBLICATIONS

International Search Report and Written Opinion for PCT/US2014/071767 dated Apr. 24, 2015.

International Search Report and Written Opinion for PCT/US2014/060300 dated Jan. 27, 2015.

AMZER—Kristal Screen Protectors—<http://www.amzer.com/kristal/>, Mar. 21, 2014.

MyScreenProtector—<https://www.myscreenprotector.com/?lng=3&view=cms&txt=about-my-screen-protector>, Mar. 21, 2014.

PureGear—PureTek Roll-On Kit—<http://www.pure-gear.com/shop-by-category/screen/puretek-roll-on-kit-antibacterial-antiglare-anti-fingerprint.html>, Mar. 21, 2014.

Tylt Alin Perfect Alignment Screen Protection—<http://www.tylt.com/alin/>, Mar. 21, 2014.

ZAGG Introduces invisibleShield on Demand and invisible Shield Glass at CES 2—<http://investors.zagg.com/releasedetail.cfm?ReleaseID=817526>, Mar. 21, 2014.

International Search Report and Written Opinion for PCT/US2014/050420 dated Nov. 19, 2014.

International Search Report and Written Opinion for PCT/US09/61553, dated Dec. 17, 2009.

Protrusion on “F” key of computer keyboard; 1 page; picture taken Oct. 20, 2008.

Protrusion on “5” key of telephone; 1 page; picture taken Oct. 20, 2008.

Systech Displays, Inc.; Home page; <http://www.systechdisplays.com/>; Oct. 21, 2008; 2 pages.

Translation of KR-10-1135144, retrieved from the Internet on Jun. 9, 2017.

Belkin Ez Frame Iris Anti-glare Film, posted at ebay.com, posting date Jul. 26, 2017, Copyright (C) 1995-2017 eBay Inc., [online], [site visited Mar. 20, 2017]. Available from Internet, <URL: <http://www.ebay.com/itm/BelkinEzFrameIrisAntiglareFilmwith-EasyInstallFrameforIphone55S/171728155795>>.

Belkin InvisiGlass Ultra Screen Protection for iPhone 7, posted at apple.com, posting date not given, Copyright (C) 2017 Apple Inc., [online], [site visited Mar. 20, 2017]. Available from Internet, <URL: <http://www.apple.com/shop/product/HKF2ZM/B/belkininvisiultrascreenprotectionforiphone7>>.

Belkin ScreenForce Transparent Screen Protector, posted at belkin.com, (C) 2017 Belkin International, Inc., [online], [site visited Mar. 20, 2017]. Available from Internet, <URL: <http://www.belkin.com/us/F8W526-3/p/P-F8W526-3/>>.

\* cited by examiner

Primary Examiner — Austin Murphy  
(74) Attorney, Agent, or Firm — Bryan Cave LLP

(57) CLAIM

We claim the ornamental design for the overlay tray, substantially as shown and described.

DESCRIPTION

FIG. 1 is a top, front, right side perspective view of an overlay tray, according to a first embodiment;

FIG. 2 is a top plan view of the overlay tray, according to the first embodiment;

FIG. 3 is a front side elevational view of the overlay tray, according to the first embodiment;

FIG. 4 is a right side elevational view of the overlay tray, according to the first embodiment;

FIG. 5 is a rear side elevational view of the overlay tray, according to the first embodiment;

FIG. 6 is a left side elevational view of the overlay tray, according to the first embodiment;

FIG. 7 is an enlarged front side elevational view of a portion of the overlay tray, as identified in FIG. 3, according to the first embodiment;

FIG. 8 is a top, front, right side perspective view of an overlay tray, according to a second embodiment;

FIG. 9 is a top plan view of the overlay tray, according to the second embodiment;

FIG. 10 is a front side elevational view of the overlay tray, according to the second embodiment;

FIG. 11 is a right side elevational view of the overlay tray, according to the second embodiment;

FIG. 12 is a rear side elevational view of the overlay tray, according to the second embodiment;

FIG. 13 is a left side elevational view of the overlay tray, according to the second embodiment; and,

FIG. 14 is an enlarged front side elevational view of a portion of the overlay tray, as identified in FIG. 10, according to the second embodiment.

No claim is made to the bottom portion of each of the first and second embodiments of the overlay tray. The evenly dashed broken lines of the various embodiments of the overlay tray are directed to environment and are for illustrative purposes only; the evenly dashed broken lines form no part of the claimed design.

1 Claim, 4 Drawing Sheets

FIG. 1

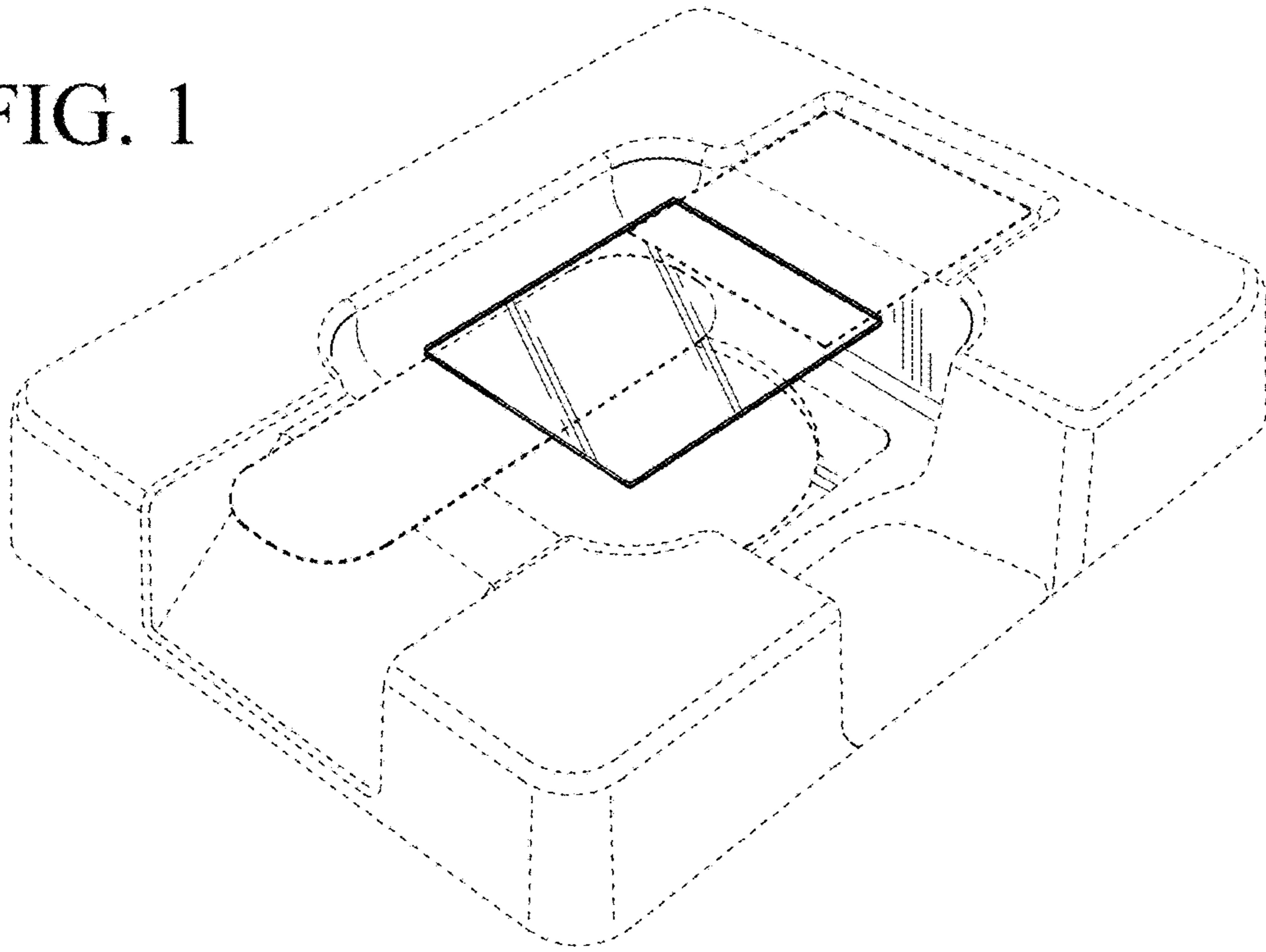


FIG. 2

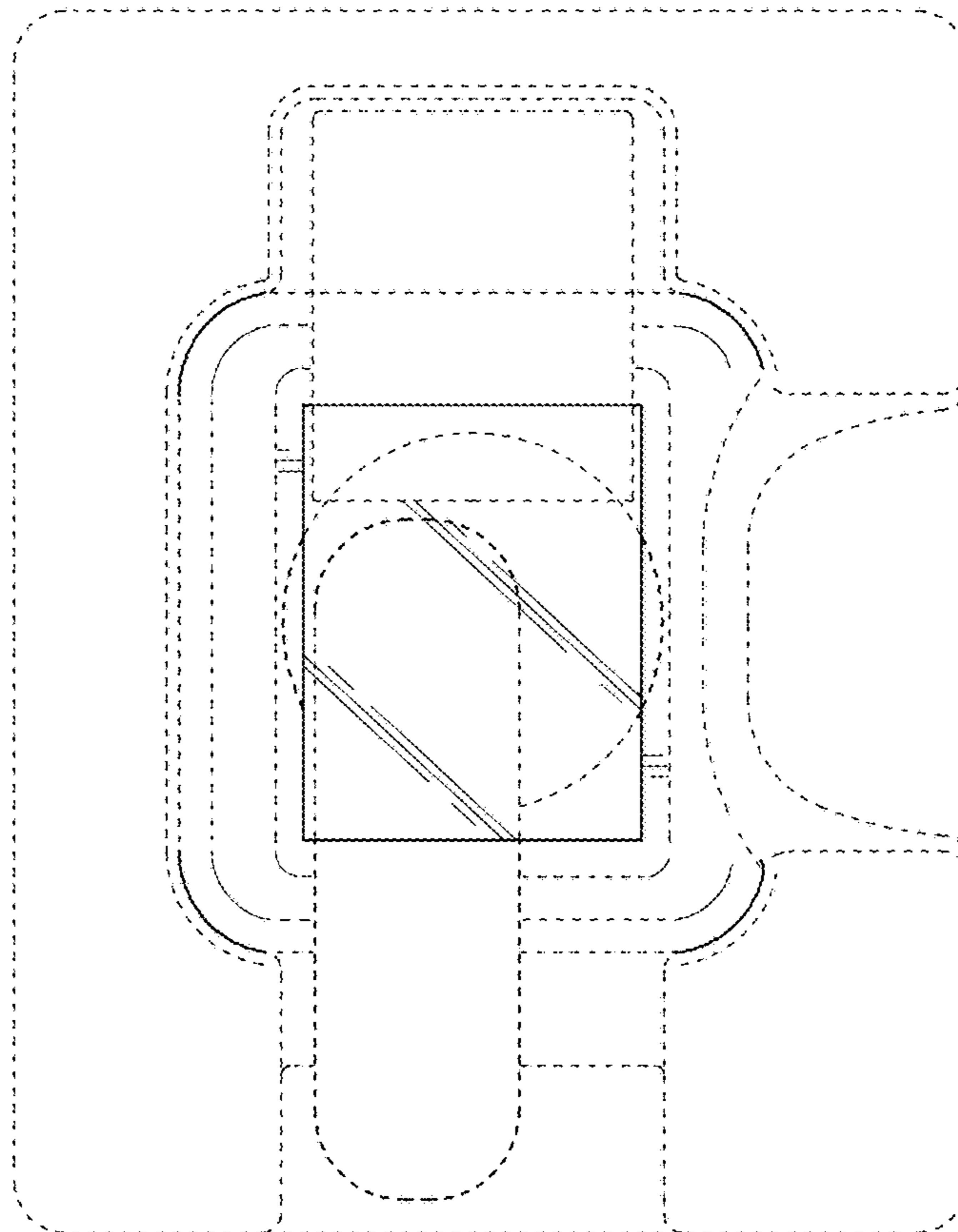


FIG. 7

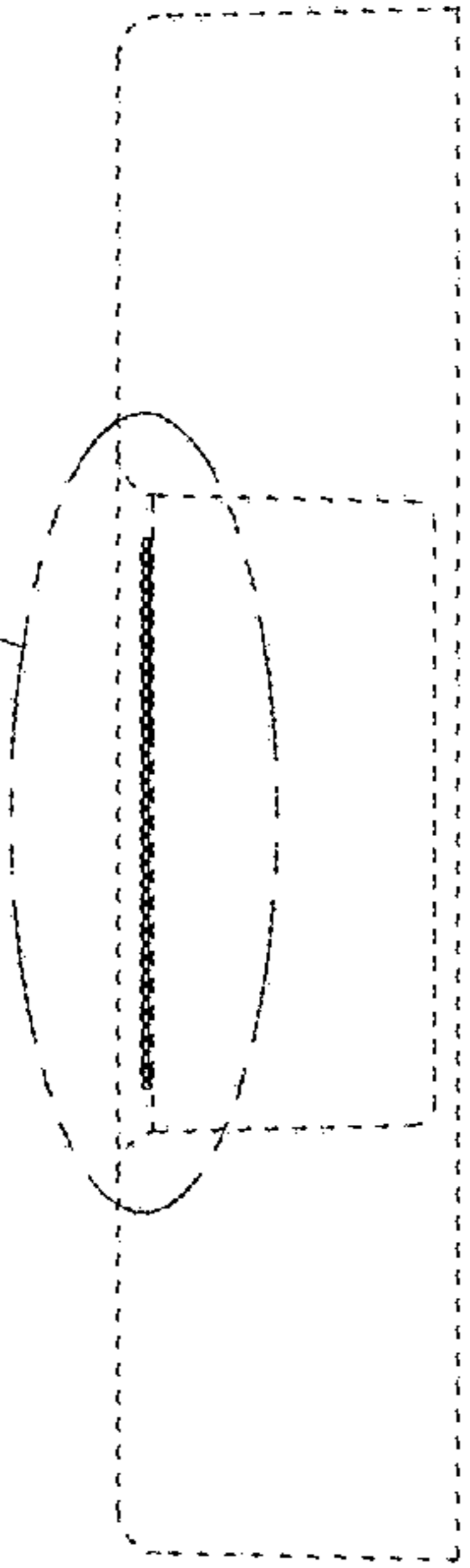


FIG. 3

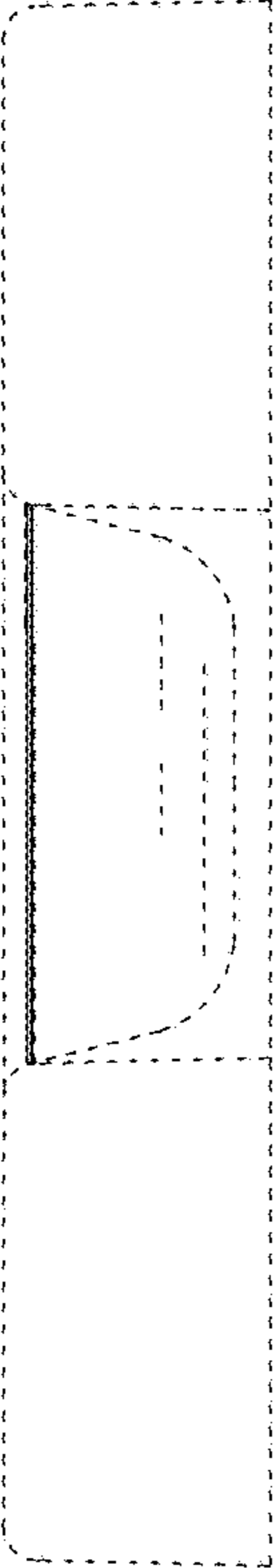


FIG. 4

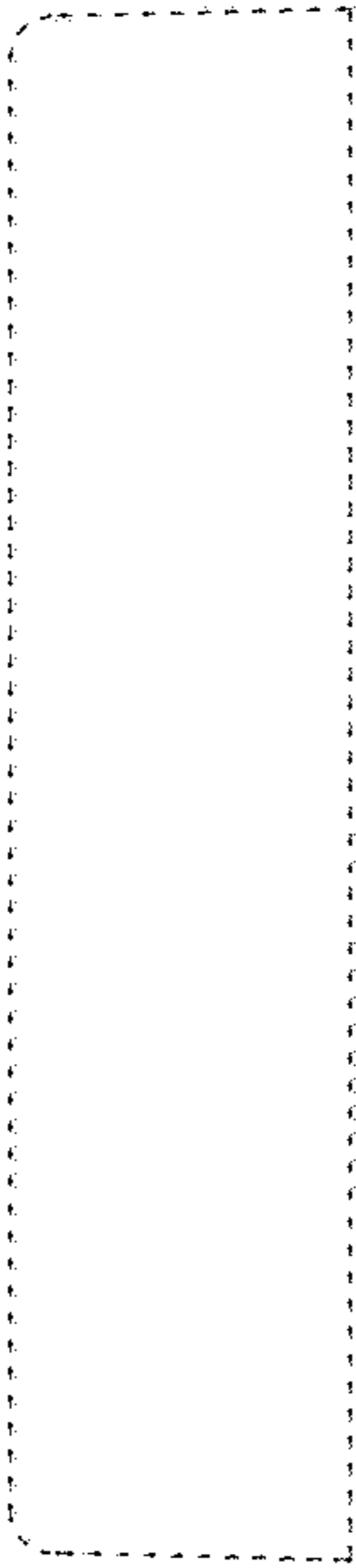


FIG. 5

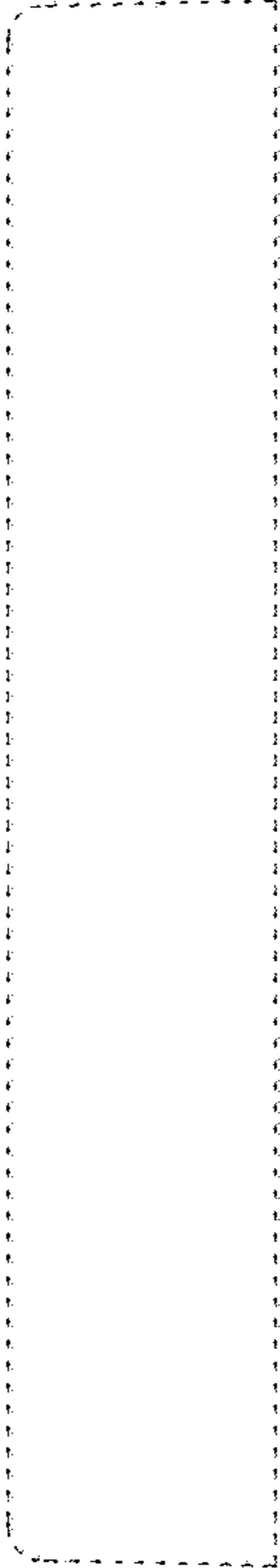


FIG. 6

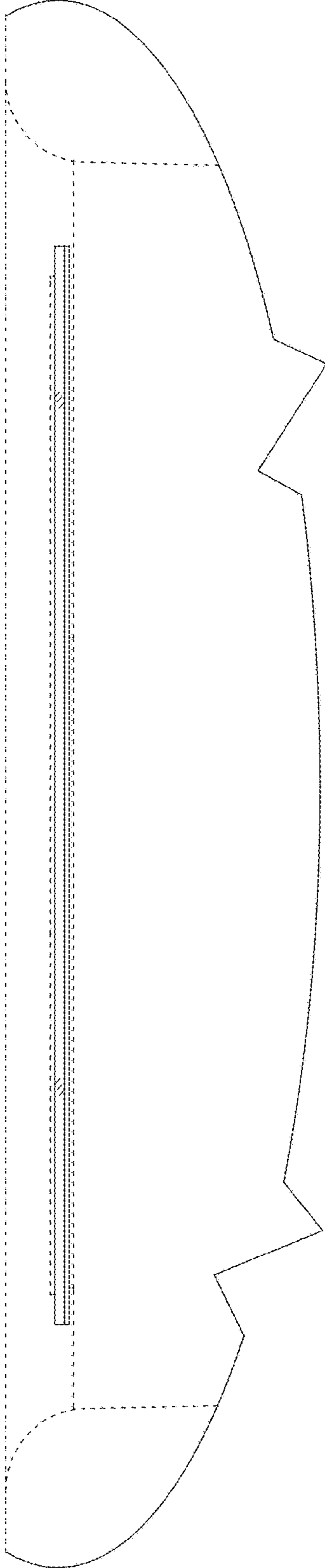


FIG. 7

FIG. 8

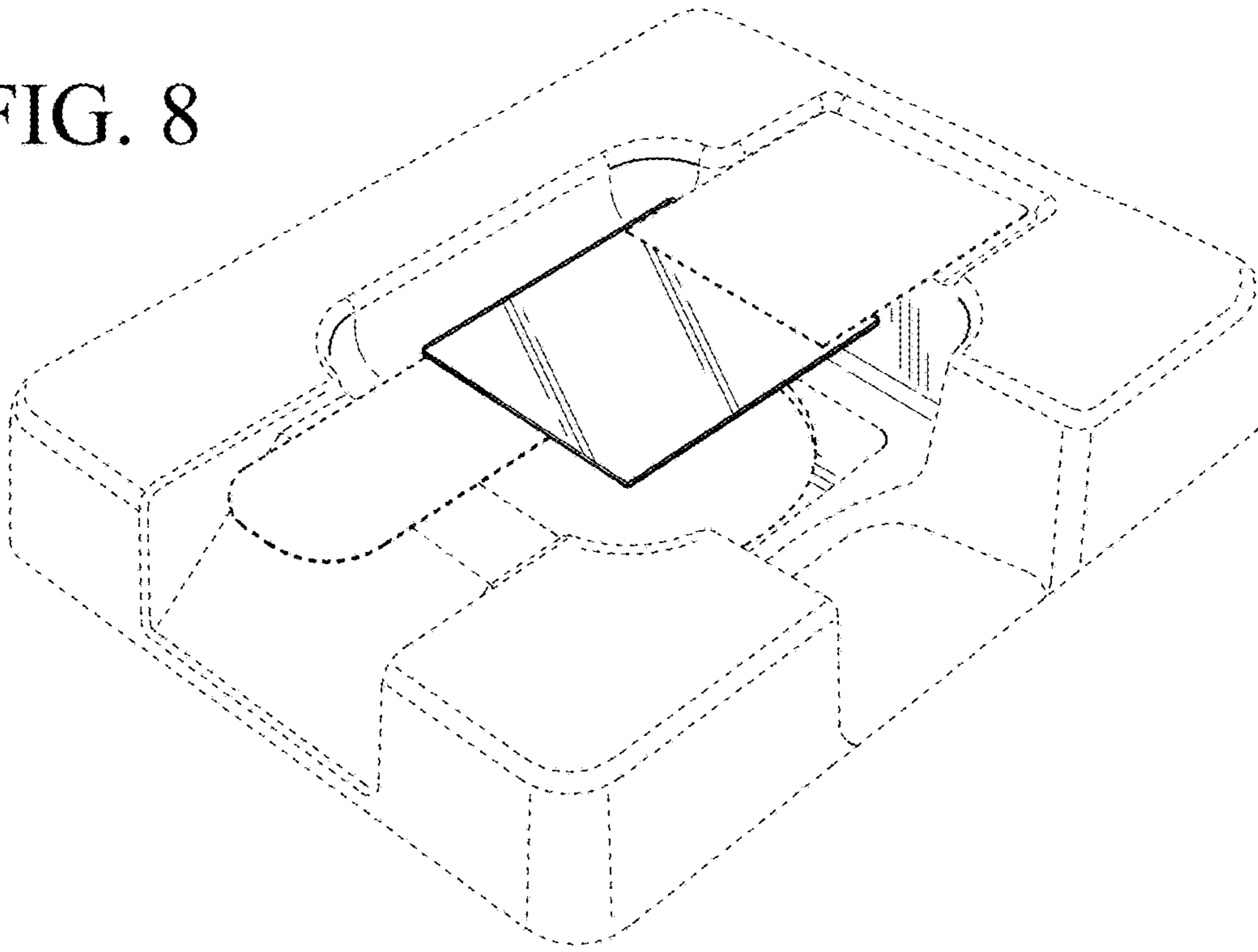
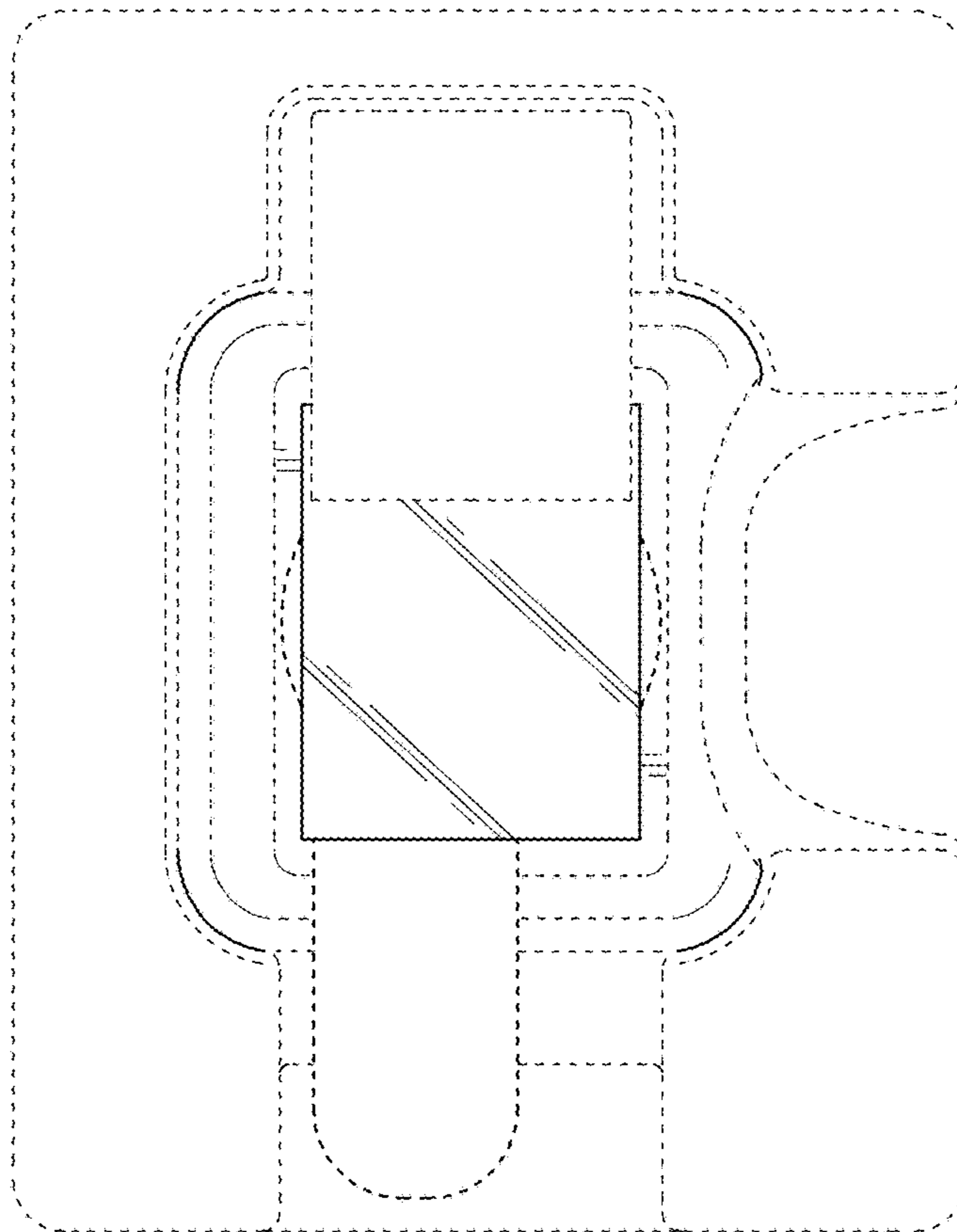


FIG. 9



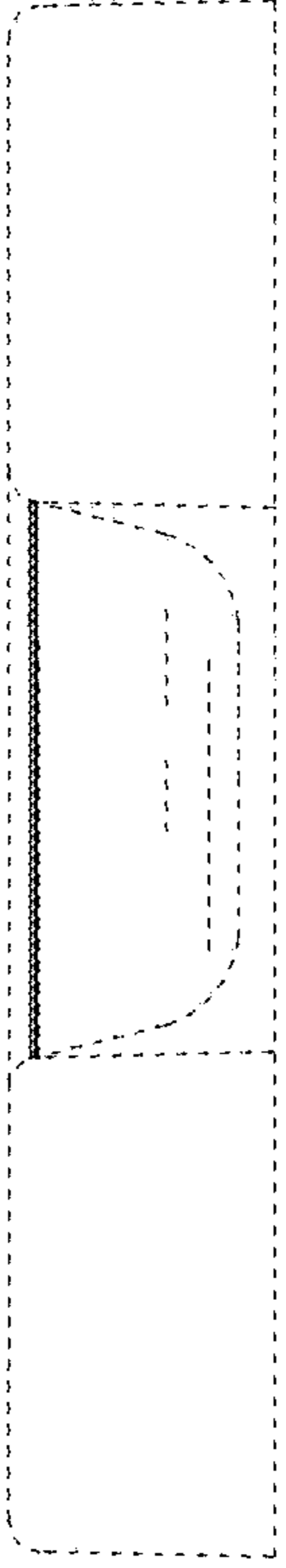
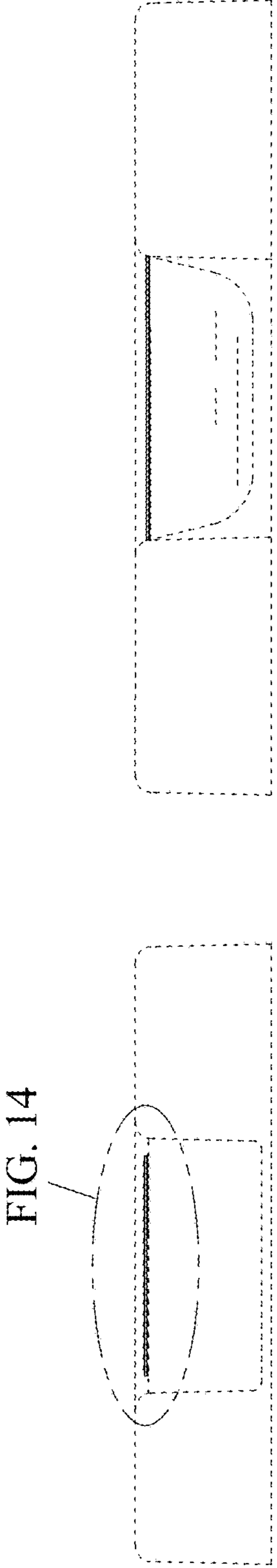


FIG. 11

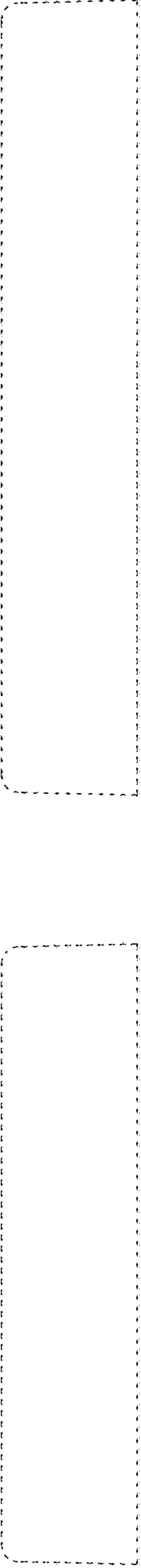


FIG. 12

FIG. 13

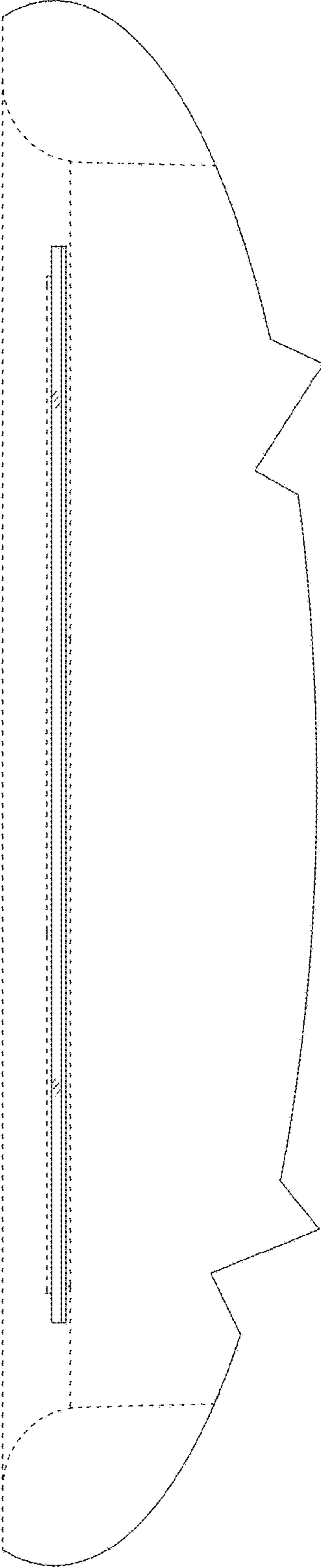


FIG. 14