



US00D811405S

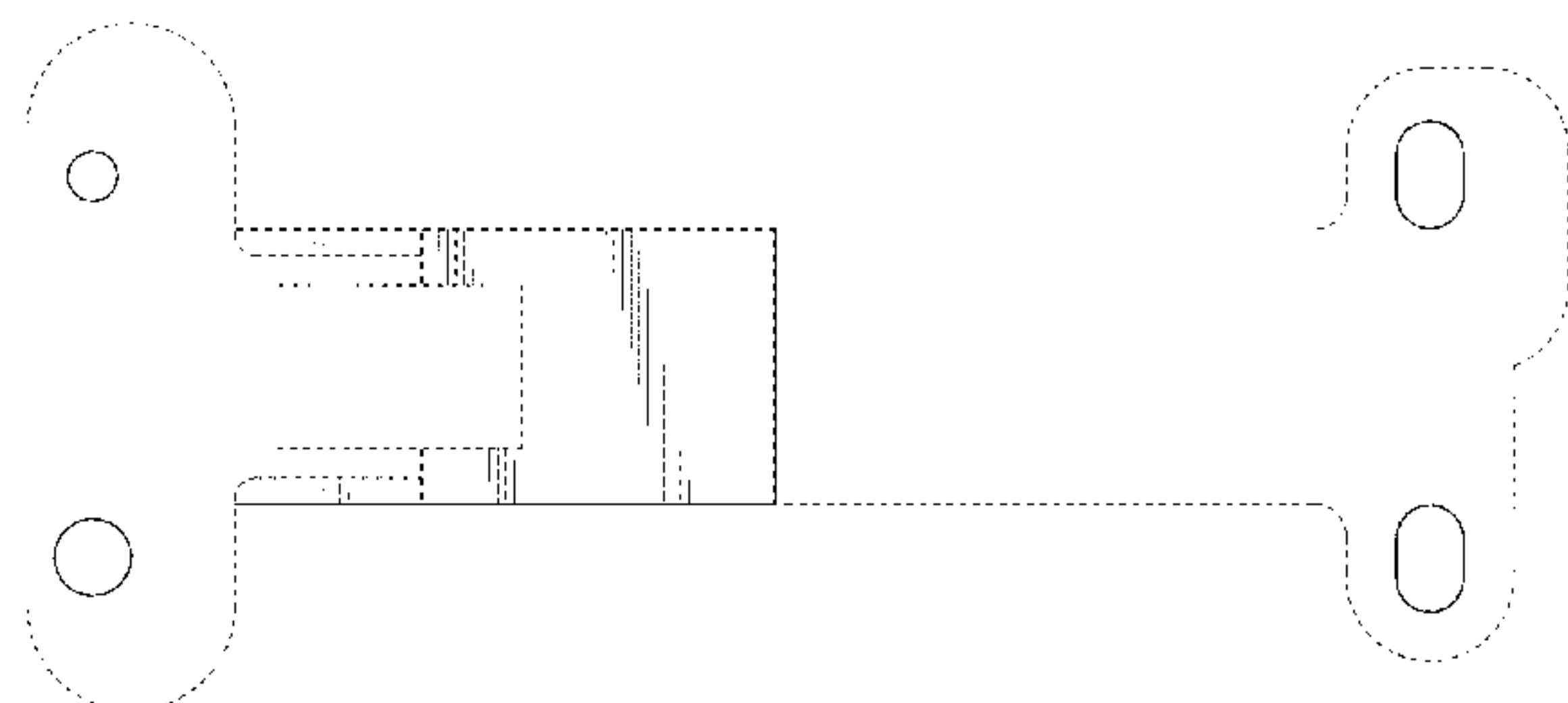
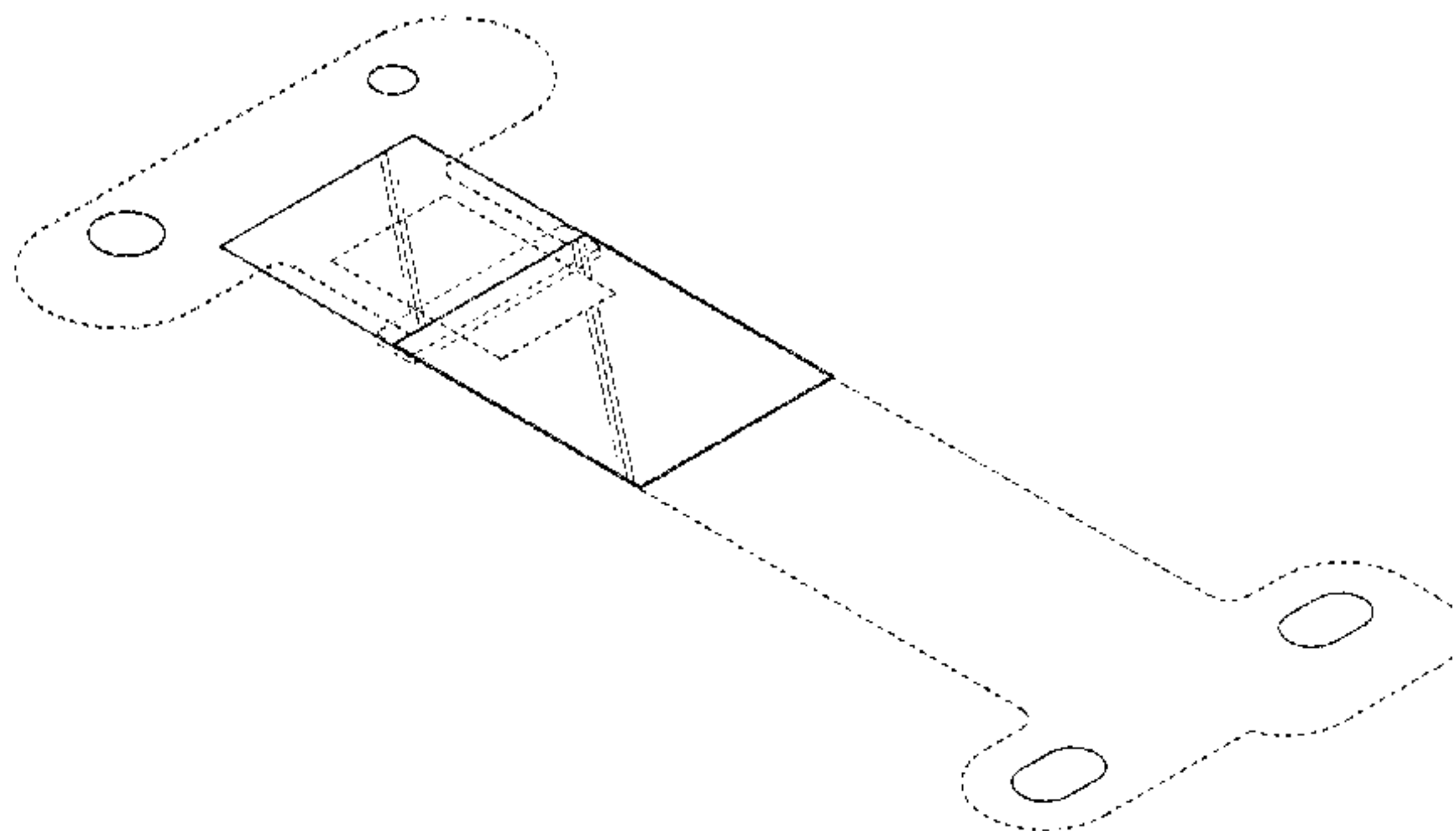
(12) **United States Design Patent** (10) **Patent No.:** **US D811,405 S**
Wadsworth et al. (45) **Date of Patent:** **** Feb. 27, 2018**

- (54) **OVERLAY**
- (71) Applicant: **Belkin International, Inc.**, Playa Vista, CA (US)
- (72) Inventors: **John F. Wadsworth**, Burbank, CA (US); **David A. Kleeman**, Marina del Rey, CA (US)
- (73) Assignee: **BELKIN INTERNATIONAL, INC.**, Playa Vista, CA (US)
- (**) Term: **15 Years**
- (21) Appl. No.: **29/566,341**
- (22) Filed: **May 27, 2016**
- (51) **LOC (11) Cl.** **14-02**
- (52) **U.S. Cl.**
USPC **D14/432**
- (58) **Field of Classification Search**
USPC D14/316-319, 432-439, 442, 451-454, D14/496, 495, 391, 385, 367, 356; D8/331, 330; D18/50, 4.6, 4.5; 439/630, 439/635, 639, 160; 360/2; 235/492, 486, 235/479, 380
CPC G06F 1/1643; G06F 1/169; H04B 1/3888
See application file for complete search history.

7,957,524	B2	6/2011	Chipping	
7,966,861	B2	6/2011	Yee et al.	
D641,210	S	7/2011	Hamilton	
8,044,942	B1	10/2011	Leonhard et al.	
8,047,365	B1	11/2011	Lin	
D651,214	S	12/2011	Yoo et al.	
D651,791	S	1/2012	Cataldo et al.	
D658,164	S	4/2012	Chan	
D665,809	S	8/2012	Wang et al.	
8,369,072	B1	2/2013	Alonzo et al.	
8,393,377	B2	3/2013	Patel et al.	
D679,753	S	4/2013	Sato et al.	
D680,166	S	4/2013	Sato et al.	
8,517,367	B1	8/2013	Napier	
D690,704	S	10/2013	Padilla et al.	
8,564,538	B2	10/2013	Wadsworth	
D694,240	S	11/2013	Cho	
8,640,759	B2	2/2014	Chen	
8,675,353	B1	3/2014	Alonzo et al.	
D707,217	S	6/2014	Toulotte	
D710,843	S	8/2014	Akana	
D713,397	S *	9/2014	Du	D14/250
D714,053	S	9/2014	Yoo	
8,821,659	B2	9/2014	Ng et al.	
D715,301	S	10/2014	Ashcraft et al.	
D715,784	S	10/2014	Lin et al.	
D720,353	S	12/2014	Nakamura	
D721,359	S	1/2015	Kim	
8,931,770	B1	1/2015	Kaminski	
9,001,502	B1	4/2015	Cowan	
9,010,396	B2	4/2015	Patel et al.	
D729,235	S	5/2015	Nagao et al.	
D734,311	S	7/2015	Takamoto et al.	
9,089,085	B2	7/2015	Patel et al.	
9,159,260	B2	10/2015	Oh	
D743,402	S	11/2015	Ehara et al.	
D746,265	S	12/2015	Colby et al.	
D747,320	S	1/2016	Snyder et al.	
D751,556	S	3/2016	Conley et al.	
D751,557	S	3/2016	Lane	
D759,640	S	6/2016	Wadsworth	
D767,550	S *	9/2016	Beaupre	D14/250
D769,857	S	10/2016	Shin et al.	
D772,199	S	11/2016	Igarashi	
D773,927	S	12/2016	Cernokus et al.	
D776,123	S	1/2017	Akana et al.	
D777,714	S	1/2017	Akana et al.	
D778,869	S	2/2017	Kim et al.	
D781,861	S *	3/2017	Lane	D14/432
D783,024	S *	4/2017	Conley	D14/432
9,662,860	B2 *	5/2017	Wadsworth	B32B 7/06
9,688,016	B2	6/2017	Rostami	
9,701,062	B2 *	7/2017	Wadsworth	B29C 65/7808

(56) **References Cited**
U.S. PATENT DOCUMENTS

4,285,559	A	8/1981	Koch
D305,648	S	1/1990	Edington
4,895,231	A	1/1990	Yamaguchi et al.
5,069,732	A	12/1991	Levine
5,680,709	A	10/1997	Stone
5,805,251	A	9/1998	Ozawa
6,406,758	B1	6/2002	Bottari et al.
7,084,859	B1	8/2006	Pryor
D578,164	S	10/2008	Ingle
D598,024	S	8/2009	Scott et al.
D601,959	S	10/2009	Lee
D601,960	S	10/2009	Dai
7,697,827	B2	4/2010	Konicek
D627,826	S	11/2010	Halimi



US D811,405 S

Page 2

9,701,096	B2 *	7/2017	Beaupre	B32B 7/06	EM	0024866540007	6/2004
2002/0054030	A1	5/2002	Murphy		EM	0024866540008	6/2004
2004/0109096	A1	6/2004	Anderson et al.		EM	0024866960001	6/2004
2004/0246386	A1	12/2004	Thomas et al.		EM	0024866960002	6/2004
2005/0030296	A1	2/2005	Stohrer et al.		EM	0024866960003	6/2004
2005/0164148	A1	7/2005	Sinclair		EM	0024866960004	6/2004
2007/0013662	A1	1/2007	Fauth		EM	0024866960005	6/2004
2007/0058990	A1	3/2007	Weaver et al.		EM	0024866960006	6/2004
2007/0115621	A1	5/2007	Guillen		EM	0024866960007	6/2004
2007/0229962	A1	10/2007	Mason, Jr.		EM	0024866960008	6/2004
2007/0247793	A1	10/2007	Carnevali		EM	0024866960009	6/2004
2007/0293282	A1	12/2007	Lewis et al.		EM	0024866960010	6/2004
2009/0015509	A1	1/2009	Gottwald et al.		EM	0024866960011	6/2004
2009/0133219	A1	5/2009	Lowry et al.		EM	0024866960012	6/2004
2009/0186181	A1	7/2009	Mase		EM	0024866960013	6/2004
2009/0314400	A1 *	12/2009	Liu	A45C 11/00	EM	0024866960014	6/2004
				150/165	EM	0024866960015	6/2004
2010/0053926	A1	3/2010	Shi et al.		EM	0024866960016	6/2004
2010/0079972	A1	4/2010	Chen et al.		EM	0024867120001	6/2004
2010/0097757	A1	4/2010	Wang		EM	0024867120002	6/2004
2010/0309152	A1	12/2010	Kusuda et al.		EM	0024867120003	6/2004
2011/0206887	A1	8/2011	Kim		EM	0024867120004	6/2004
2011/0267793	A1	11/2011	Cohen		EM	0024867120005	6/2004
2011/0279383	A1	11/2011	Wilson et al.		EM	0024867120006	6/2004
2011/0309608	A1	12/2011	Flynn et al.		EM	0024867120007	6/2004
2012/0043015	A1	2/2012	Feller		EM	0024867120008	6/2004
2012/0063077	A1 *	3/2012	Tomobe	H04M 1/0264	EM	0024867120009	6/2004
				361/679.01	EM	0024867120010	6/2004
2012/0076967	A1	3/2012	Muramatsu		EM	0024867120011	6/2004
2012/0087072	A1	4/2012	McGuire et al.		EM	0024867120012	6/2004
2012/0110868	A1	5/2012	Abbondanzio		EM	0024867120013	6/2004
2012/0183712	A1	7/2012	Leonhard et al.		EM	0024867120014	6/2004
2012/0211168	A1	8/2012	Patel et al.		EM	0024867120015	6/2004
2012/0211170	A1	8/2012	Patel		EM	0024867120016	6/2004
2012/0261930	A1	10/2012	Bethea		JP	10199422	7/1998
2012/0268394	A1	10/2012	Hsu et al.		JP	2002049327	2/2002
2012/0276318	A1	11/2012	Franke		JP	2002057764	2/2002
2013/0020005	A1	1/2013	Koblick et al.		JP	2003066419	3/2003
2013/0020020	A1	1/2013	Liu		JP	2006145918	6/2006
2013/0040088	A1	2/2013	Hirayama et al.		JP	2006155452	6/2006
2013/0048203	A1	2/2013	Yau et al.		JP	3124275	8/2006
2013/0156999	A1	6/2013	Braesch et al.		JP	3180690	12/2012
2013/0184845	A1	7/2013	Hales		KR	200454225	6/2011
2013/0237296	A1	9/2013	Chen		KR	101080018	11/2011
2013/0264235	A1	10/2013	Lin		KR	101135144	4/2012
2014/0047708	A1	2/2014	Chae		KR	101176316	8/2012
2014/0055927	A1	2/2014	Wang		KR	1020130043720	5/2013
2014/0124146	A1	5/2014	Patel et al.		KR	300704457	8/2013
2014/0250964	A1	9/2014	Dai et al.		KR	300704458	8/2013
2014/0332417	A1	11/2014	Wicks et al.		KR	300704459	8/2013
2014/0338829	A1	11/2014	Peng et al.		KR	300704460	8/2013
2015/0000831	A1	1/2015	Wang		KR	1020130092713	8/2013
2015/0041069	A1 *	2/2015	Wadsworth	B29C 63/024	KR	1020130092804	8/2013
				156/535	KR	300720375	12/2013
2015/0047773	A1 *	2/2015	Wadsworth	B29C 63/0047	KR	300720376	12/2013
				156/182	KR	101408663	6/2014
2015/0107767	A1 *	4/2015	Wadsworth	B29C 66/861	KR	1020140070046	6/2014
				156/324	KR	1020140076245	6/2014
2015/0121691	A1	5/2015	Wang		KR	101468710	12/2014
2015/0227226	A1	8/2015	Wierenga et al.		KR	200475419	12/2014
2015/0362736	A1	12/2015	Kowasic		KR	200475420	12/2014
2017/0001364	A1	1/2017	MacDonald et al.		KR	1020140136596	12/2014
					KR	1020140142904	12/2014
					KR	1020140143262	12/2014
					KR	1020150006910	1/2015
					KR	200476916	4/2015
					KR	1020150039292	4/2015
					KR	2020150001663	5/2015
					KR	300804459	7/2015
					KR	1020160022665	3/2016
					KR	1020160022755	3/2016
					KR	1020160061078	5/2016
					KR	1020160088067	7/2016
					KR	1020160091491	8/2016
					KR	2020170000128	1/2017
					NO	WO2011065796	6/2011
					TW	1401223	7/2013
					WO	2004005141	1/2004
					WO	2005058705	6/2005

FOREIGN PATENT DOCUMENTS

CN	201456516	5/2010
CN	201538078	8/2010
CN	102632674	8/2012
CN	202623469	12/2012
CN	202896928	4/2013
CN	202967060	6/2013
CN	203077741	7/2013
EM	0024866540001	6/2004
EM	0024866540002	6/2004
EM	0024866540003	6/2004
EM	0024866540004	6/2004
EM	0024866540005	6/2004
EM	0024866540006	6/2004

WO	2011163151	12/2011
WO	2012074802	6/2012
WO	2012141505	10/2012

Primary Examiner — Austin Murphy
 (74) *Attorney, Agent, or Firm* — Bryan Cave LLP

OTHER PUBLICATIONS

International Search Report and Written Opinion for PCT/US2014/071767 dated Apr. 24, 2015.
 International Search Report and Written Opinion for PCT/US2014/060300 dated Jan. 27, 2015.
 Amzer—Kristal Screen Protectors—<http://www.amzer.com/kristal/>, Mar. 21, 2014.
 MyScreenPROTECTOR—<https://www.myscreenprotector.com/?Ing=3&view=cms&txt=about-my-screen-protector>, Mar. 21, 2014.
 PureGear—PureTek Roll-On Kit—<http://www.pure-gear.com/shop-by-category/screen/puretek-roll-on-kit-antibacterial-antiglare-anti-fingerprint.html>, Mar. 21, 2014.
 Tylt Alin Perfect Alignment Screen Protection—<http://www.tylt.com/alin/>, Mar. 21, 2014.
 Zagg Introduces invisibleSHIELD on Demand and invisible Shield Glass at CES 2—<http://investors.zagg.com/releasedetail.cfm?ReleaseID=817526>, Mar. 21, 2014.
 International Search Report and Written Opinion for PCT/US2014/050420 dated Nov. 19, 2014.
 International Search Report and Written Opinion for PCT/US09/61553, dated Dec. 17, 2009.
 Protrusion on “F” key of computer keyboard; 1 page; picture taken Oct. 20, 2008.
 Protrusion on “5” key of telephone; 1 page; picture taken Oct. 20, 2008.
 Systech Displays, Inc.; Home page; <http://www.systechdisplays.com/>; Oct. 21, 2008; 2 pages.
 Translation of KR-10-1135144, retrieved from the Internet on Jun. 9, 2017.
 Belkin Ez Frame Iris Anti-glare Film, posted at ebay.com, posting date Jul. 26, 2017, Copyright (C) 1995-2017 eBay Inc., [online], [site visited Mar. 20, 2017]. Available from Internet, <URL: <http://www.ebay.com/itm/BelkinEzFrameIrisAntiglareFilmwithEasyInstallFrameforIphone55S/171728155795>>.
 Belkin InvisiGlass Ultra Screen Protection for iPhone 7, posted at apple.com, posting date not given, Copyright (C) 2017 Apple Inc., [online], [site visited Mar. 20, 2017]. Available from Internet, <URL: <http://www.apple.com/shop/product/HKF2ZM/B/belkininvisiultrascreenprotectionforiphone7>>.
 Belkin ScreenForce Transparent Screen Protector, posted at belkin.com, (C) 2017 Belkin International, Inc., [online], [site visited Mar. 20, 2017]. Available from Internet, <URL: <http://www.belkin.com/us/F8W526-3/p/P-F8W526-3/>>.

* cited by examiner

(57) **CLAIM**

We claim the ornamental design for the overlay, substantially as shown.

DESCRIPTION

FIG. 1 is a top perspective view of an overlay, according to a first embodiment;
 FIG. 2 is a bottom perspective view of the overlay, according to the first embodiment;
 FIG. 3 is a top plan view of the overlay, according to the first embodiment;
 FIG. 4 is a bottom plan view of the overlay, according to the first embodiment;
 FIG. 5 is a side elevational view of the overlay, according to the first embodiment;
 FIG. 6 is an opposite side elevational view of the overlay, according to the first embodiment;
 FIG. 7 is an enlarged side elevational view of a portion of the overlay, as identified in FIG. 5, according to the first embodiment;
 FIG. 8 is a top perspective view of an overlay, according to a second embodiment;
 FIG. 9 is a bottom perspective view of the overlay, according to the second embodiment;
 FIG. 10 is a top plan view of the overlay, according to the second embodiment;
 FIG. 11 is a bottom plan view of the overlay, according to the second embodiment;
 FIG. 12 is a side elevational view of the overlay, according to the second embodiment;
 FIG. 13 is an opposite side elevational view of the overlay, according to the second embodiment; and,
 FIG. 14 is an enlarged side elevational view of a portion of the overlay, as identified in FIG. 12, according to the second embodiment.
 The evenly dashed broken lines of the various embodiments of the overlay are directed to environment and are for illustrative purposes only; the evenly dashed broken lines form no part of the claimed design.

1 Claim, 6 Drawing Sheets

FIG. 1

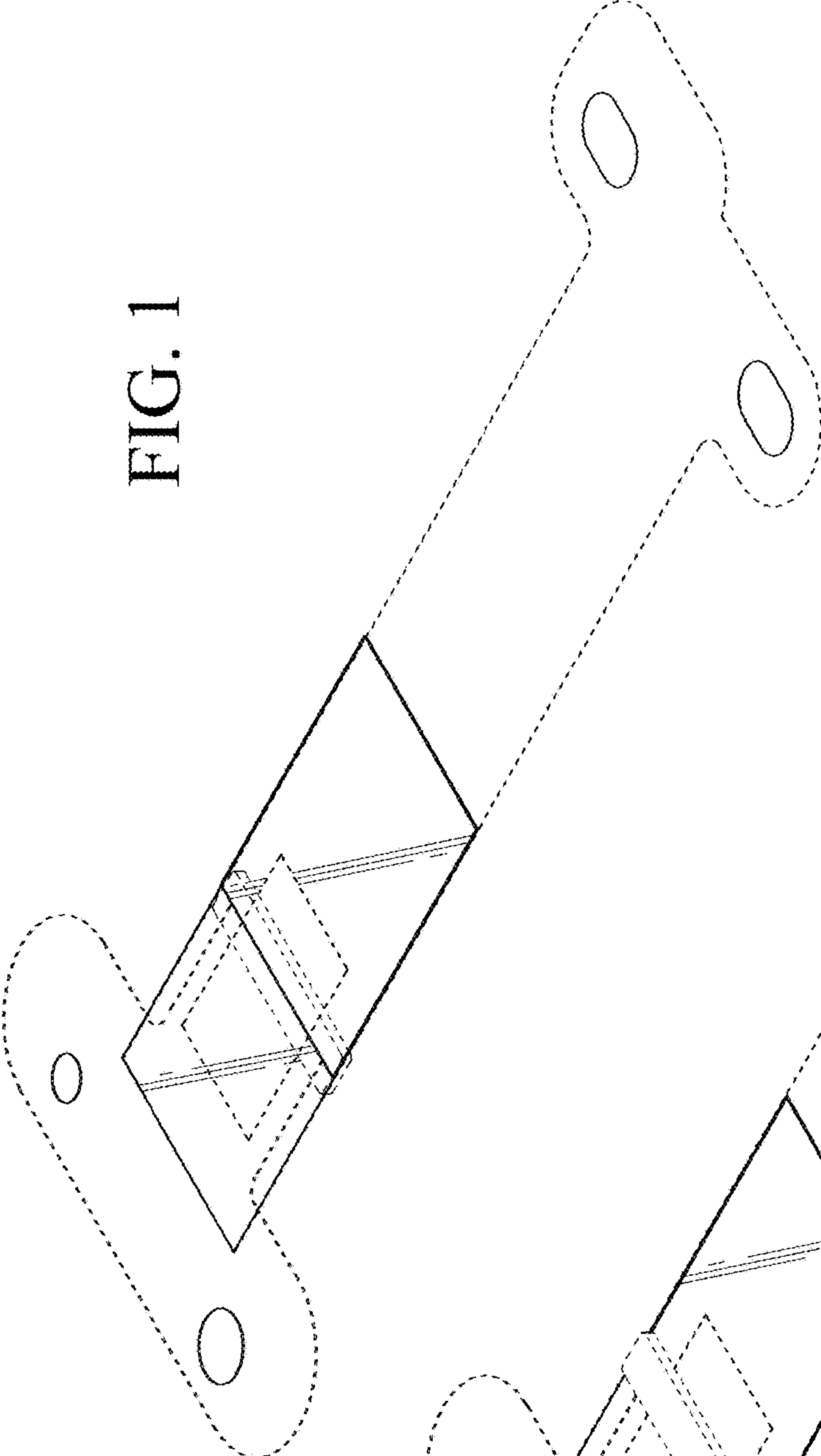
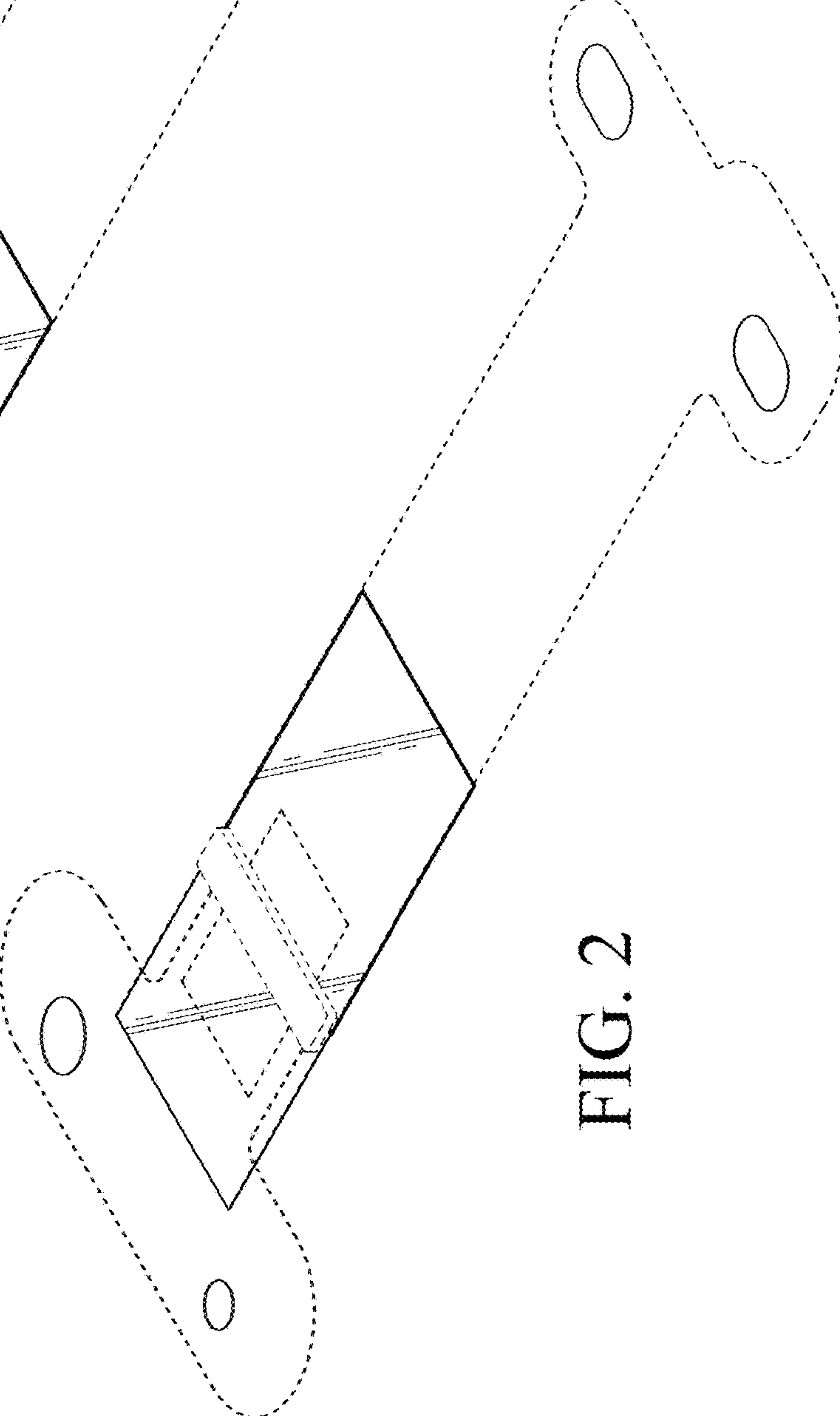


FIG. 2



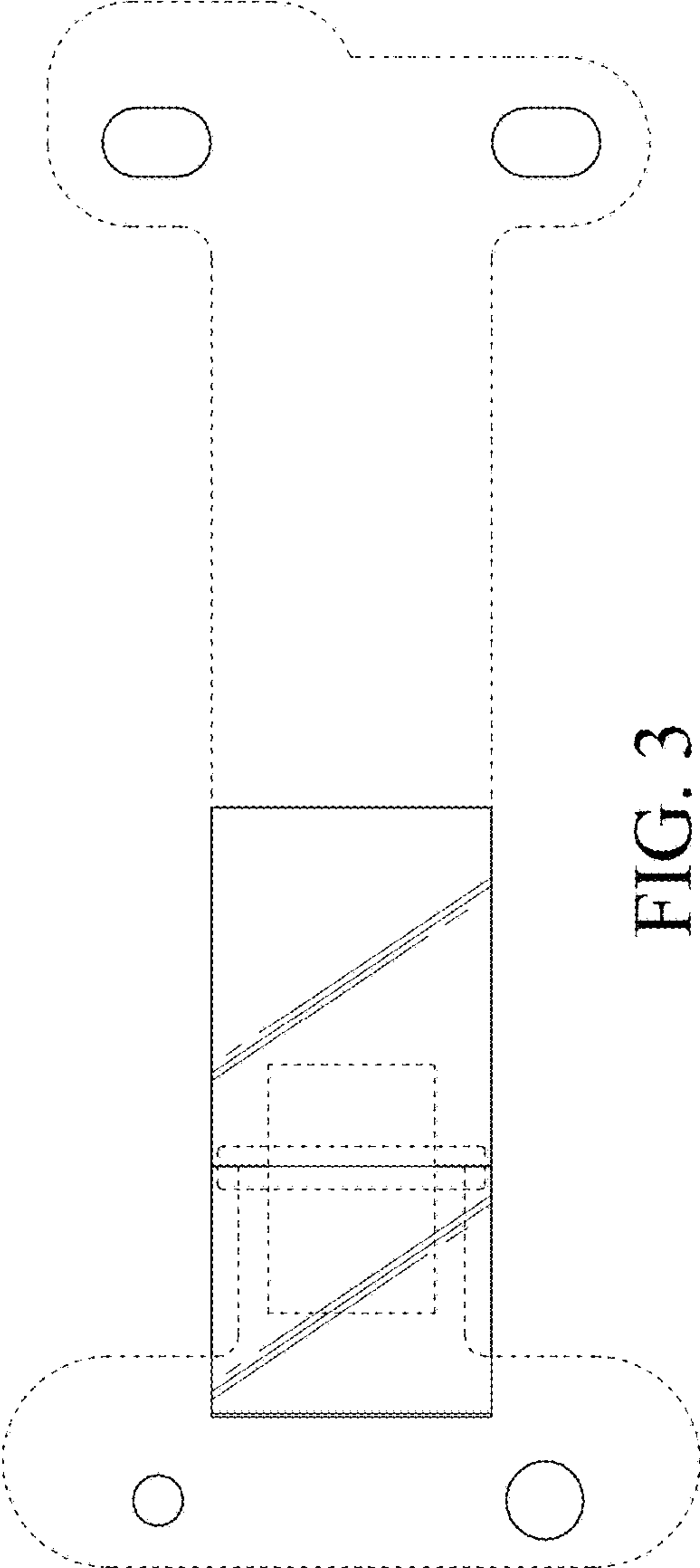


FIG. 3

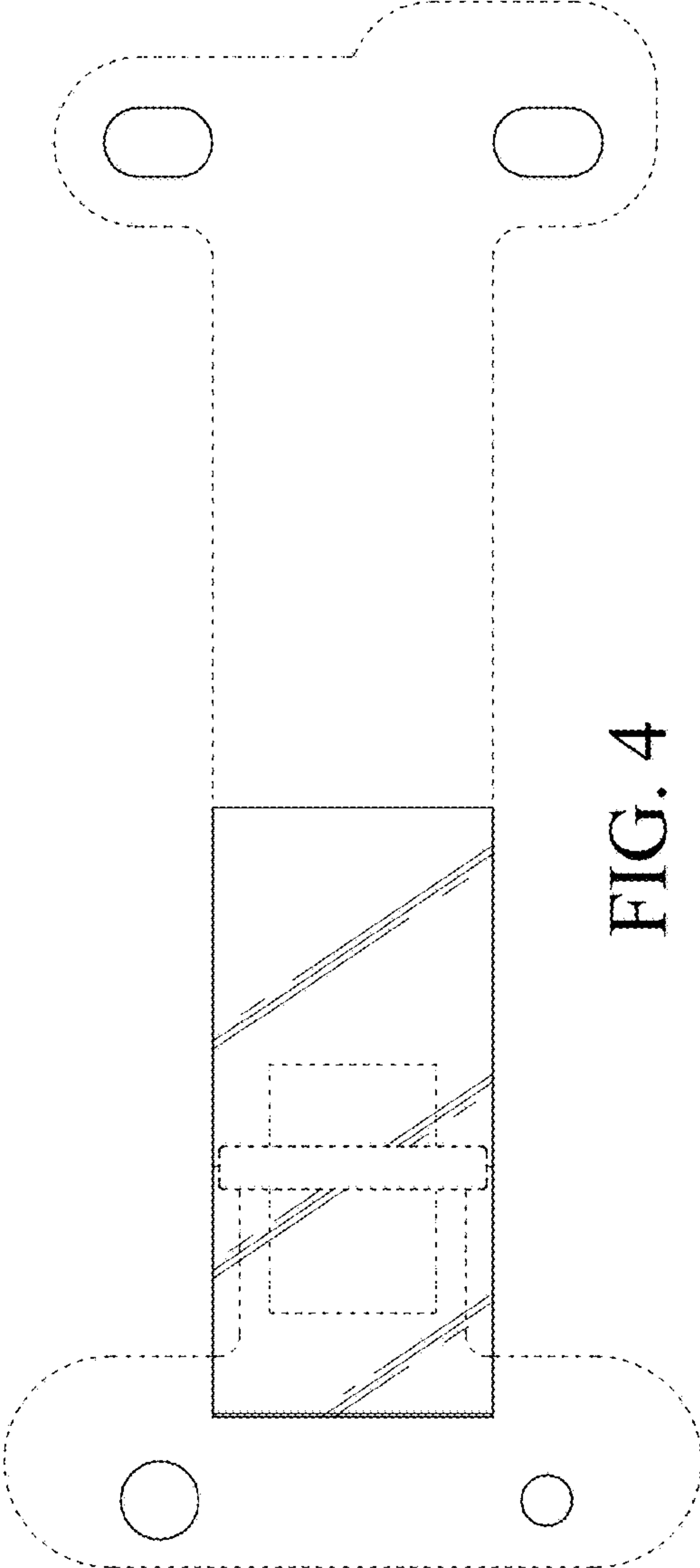


FIG. 4

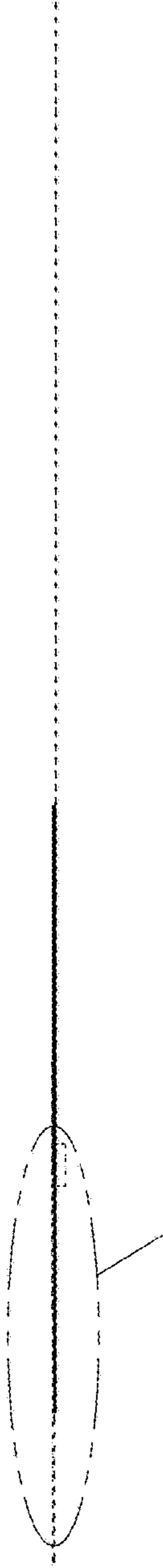


FIG. 7

FIG. 5



FIG. 6

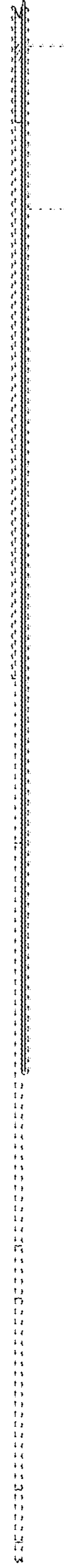


FIG. 7

FIG. 8

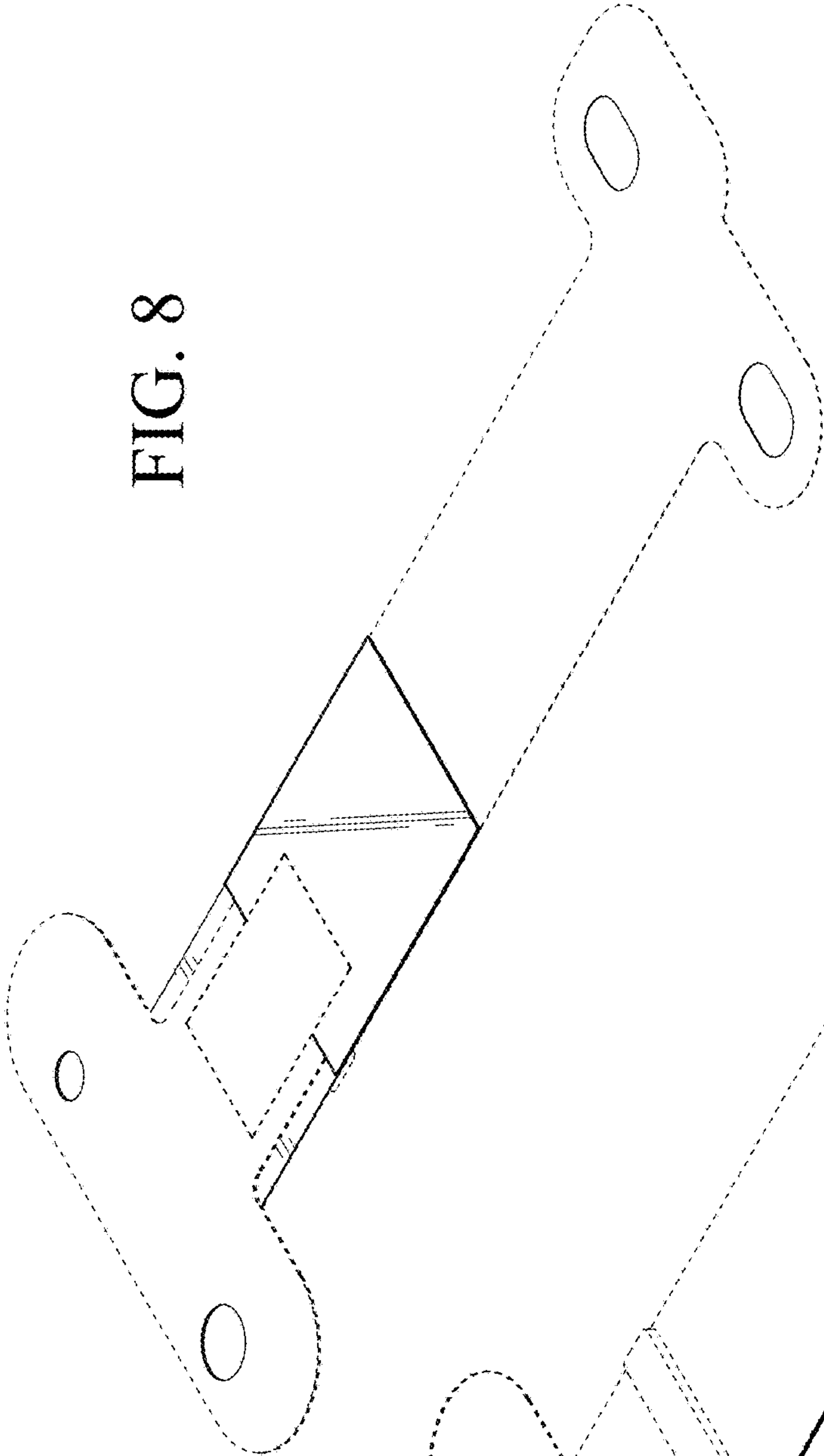
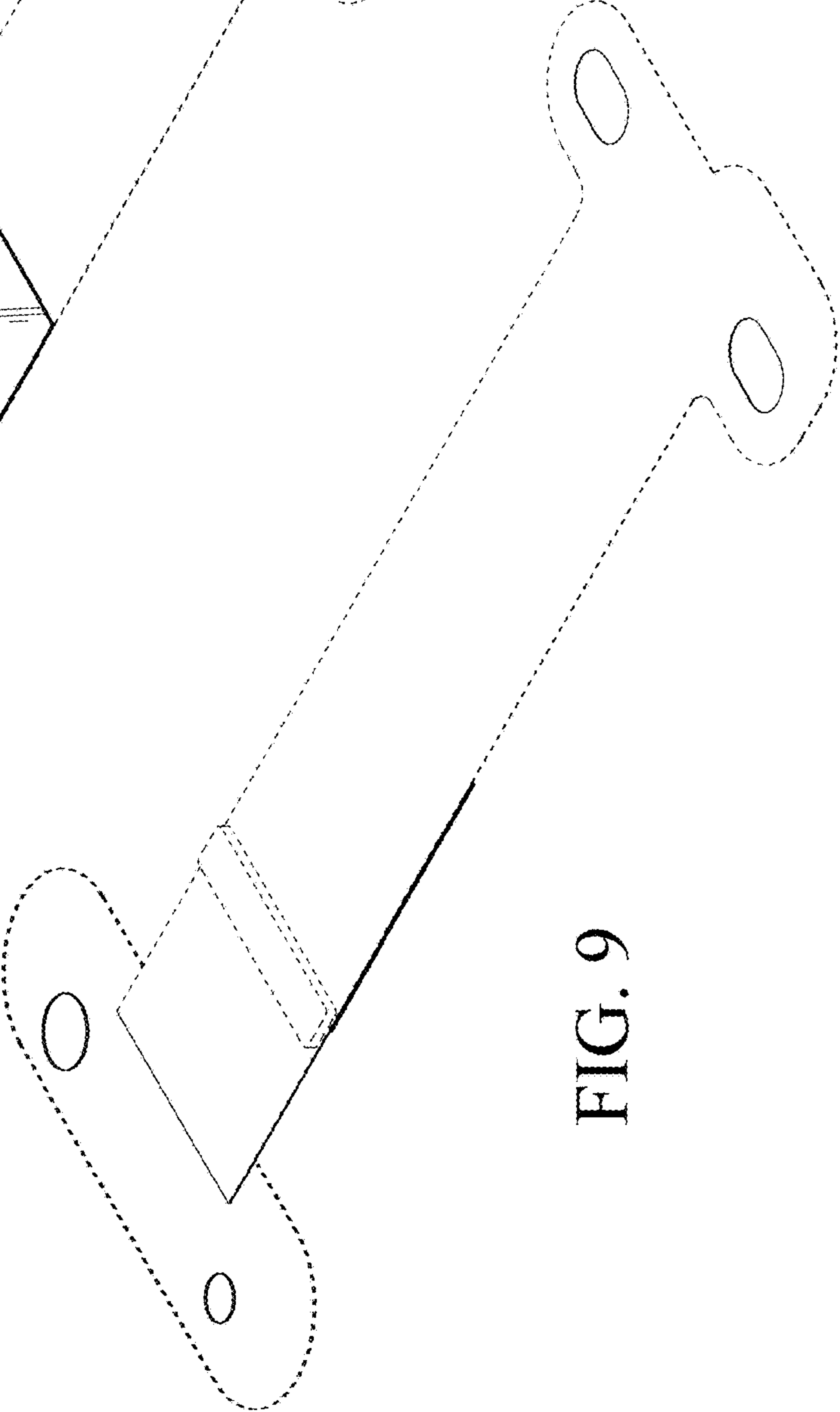


FIG. 9



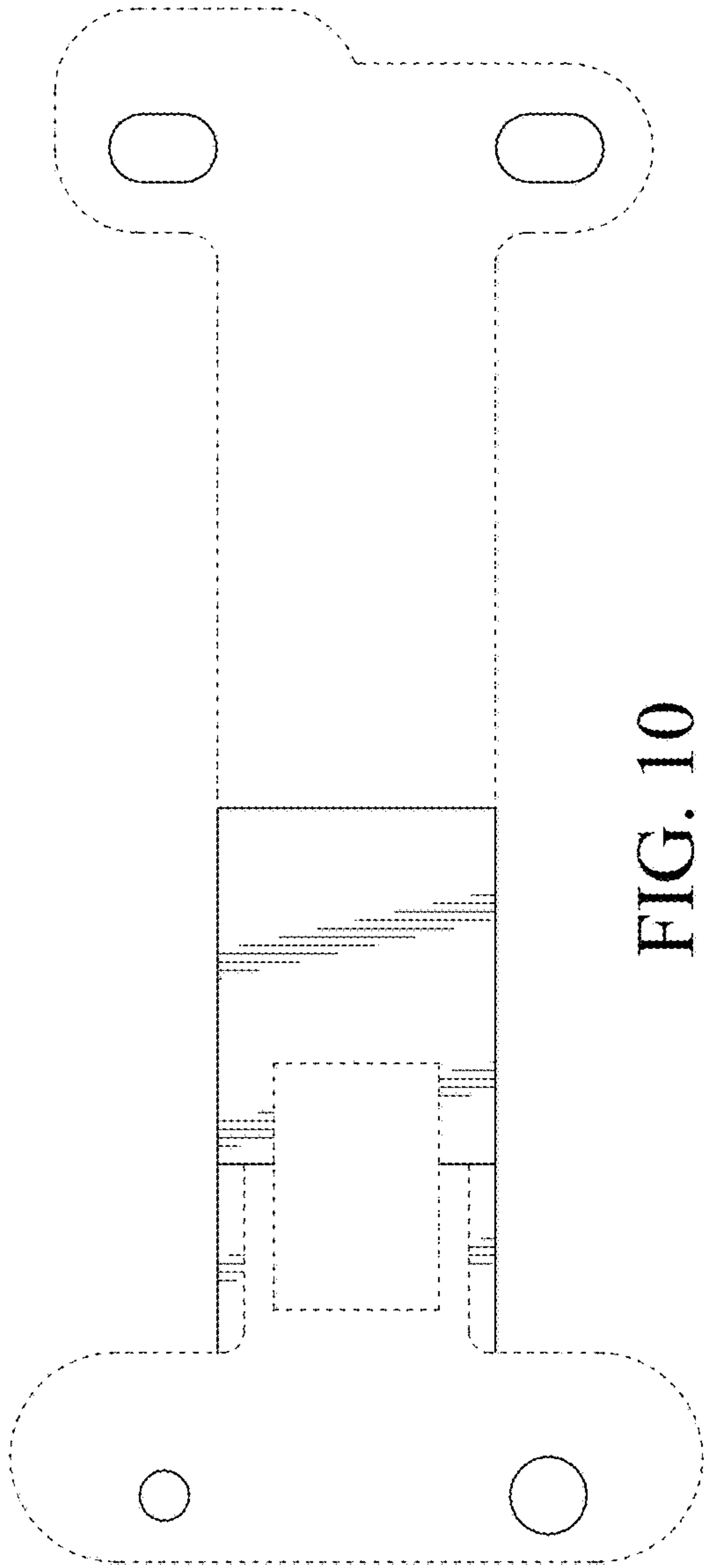


FIG. 10

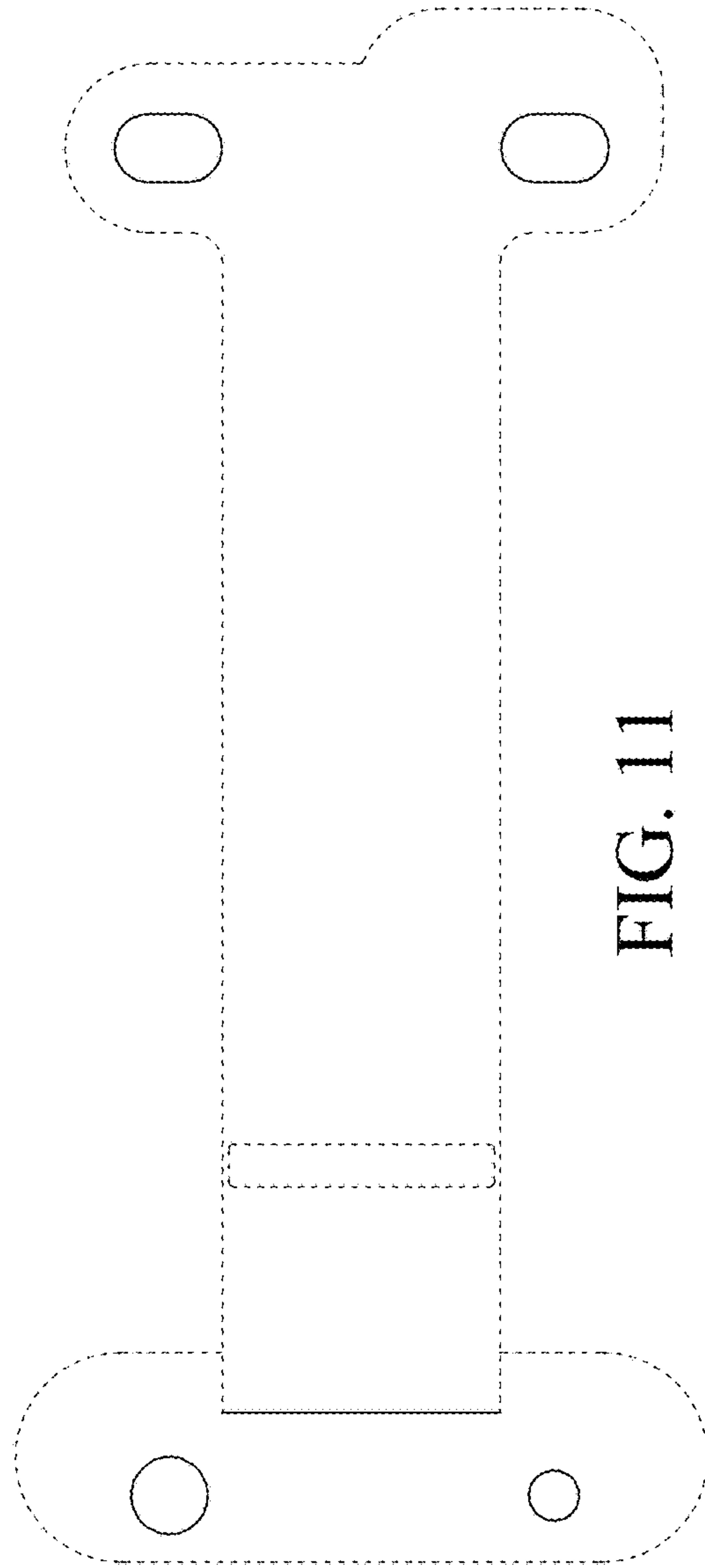


FIG. 11

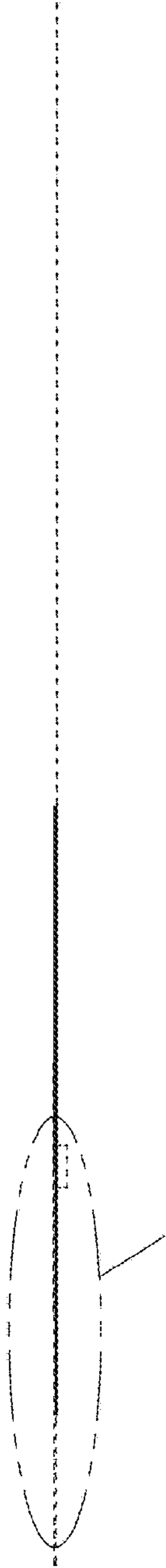


FIG. 14

FIG. 12

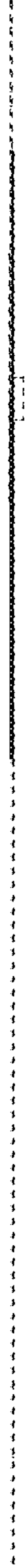


FIG. 13

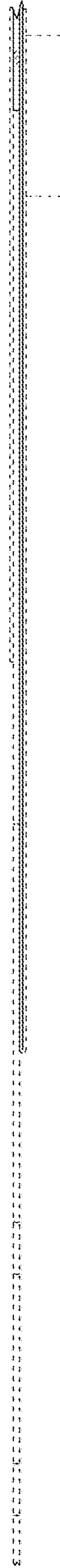


FIG. 14