



US00D811403S

(12) **United States Design Patent**
Katori

(10) **Patent No.:** **US D811,403 S**
(45) **Date of Patent:** **** Feb. 27, 2018**

(54) **SCANNER**

(71) Applicant: **Panasonic Intellectual Property Management Co., Ltd., Osaka (JP)**

(72) Inventor: **Takehito Katori, Kanagawa (JP)**

(73) Assignee: **Panasonic Intellectual Property Management Co., Ltd., Osaka (JP)**

(**) Term: **15 Years**

(21) Appl. No.: **29/585,551**

(22) Filed: **Nov. 25, 2016**

(30) **Foreign Application Priority Data**

Jun. 2, 2016 (JP) 2016-011796

(51) **LOC (11) Cl.** **14-02**

(52) **U.S. Cl.**
USPC **D14/422**

(58) **Field of Classification Search**

USPC D14/421-425; D18/55, 49, 46, 40, D18/36-39, 41, 44, 45, 47, 48, 50-54, D18/56; 235/462, 455, 470, 462.43, 482, 235/483; 358/474, 486, 488, 496, 497, 358/498, 452, 449, 451, 453, 1.13; 318/685, 696; 355/81, 75; 399/405, 367, 399/379, 380; 382/217; 715/209, 222, 715/226, 274; 400/613, 613.1-613.4, 400/690.1-690.4, 691-694
CPC H04N 1/00; H04N 1/12; H04N 1/00013; H04N 1/00015; H04N 1/00018; H04N 1/00026; H04N 1/00557; H04N 1/00564; H04N 1/00567; H04N 1/0057; H04N 1/00572; H04N 1/00586; H04N 1/00588; H04N 1/00591; H04N 1/00594; H04N 1/00596; H04N 1/00604; H04N 1/00519; H04N 1/00559; H04N 1/1013; H04N 1/10; H04N 1/00551; H04N 1/00278; H04N 2201/0456; H04N 2201/0446; H04N 2201/00; H04N 2201/0094; G03G

15/0142; G03G 15/605; G03G 15/602; B65H 5/26; B65H 5/30; B65H 5/36; B65H 7/00; B65H 2402/515; B65H 2402/31; B65H 2511/20; B65H 2511/414; B65H 2513/42; B65H 2801/39; B65H 2801/31; B65H 2215/00189; B65H 2215/00194; B65H 2215/00198; B65H 2215/00202; B65H 2215/00206; B65H 2215/20; B65H 2301/00; B65H 2220/04; B65H 3/5261

See application file for complete search history.

(56) **References Cited**

U.S. PATENT DOCUMENTS

D309,131 S * 7/1990 Horie D14/422
5,126,855 A * 6/1992 Saito H04N 1/00525
358/401
D370,471 S * 6/1996 Au D14/422

(Continued)

Primary Examiner — Susan Moon Lee

(74) *Attorney, Agent, or Firm* — Panasonic IP Management; Kerry S. Culpepper

(57) **CLAIM**

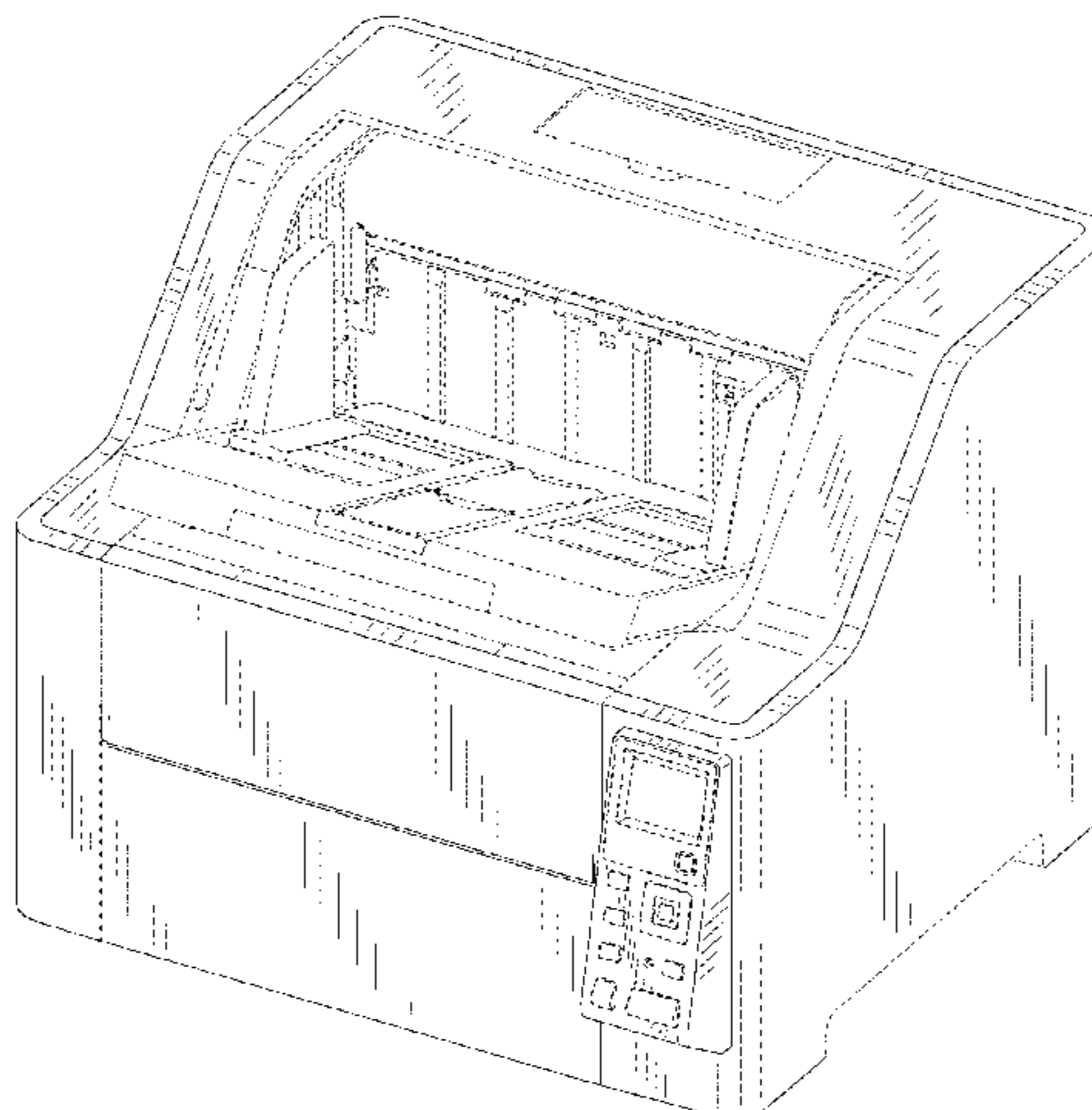
I claim the ornamental design for a scanner, as shown and described.

DESCRIPTION

FIG. 1 is a front perspective view of a scanner of the present invention;
FIG. 2 is a rear perspective view thereof;
FIG. 3 is a front view thereof;
FIG. 4 is a rear view thereof;
FIG. 5 is a left side view thereof;
FIG. 6 is a right side view thereof;
FIG. 7 is a top view thereof; and,
FIG. 8 is a bottom view thereof.

The broken lines shown represent unclaimed features of the scanner and form no part of the claimed design.

1 Claim, 8 Drawing Sheets



(56)

References Cited

U.S. PATENT DOCUMENTS

D479,555	S	*	9/2003	Sakai	D18/50
D552,096	S	*	10/2007	Sugitani	D14/421
D650,388	S		12/2011	Hidaka	
D660,908	S	*	5/2012	Leman	D18/55
D673,213	S		12/2012	Kim et al.	
D676,903	S		2/2013	Kim et al.	
D701,561	S	*	3/2014	Jihoon	D18/50
D712,960	S	*	9/2014	Tsuruoka	D18/55
D714,862	S	*	10/2014	Kim	D18/50
D715,357	S	*	10/2014	Kim	D18/55
D734,815	S	*	7/2015	Minamide	D18/55
D735,723	S		8/2015	He et al.	
D746,907	S	*	1/2016	Kim	D18/50
D762,216	S		7/2016	Tani	

* cited by examiner

FIG. 1

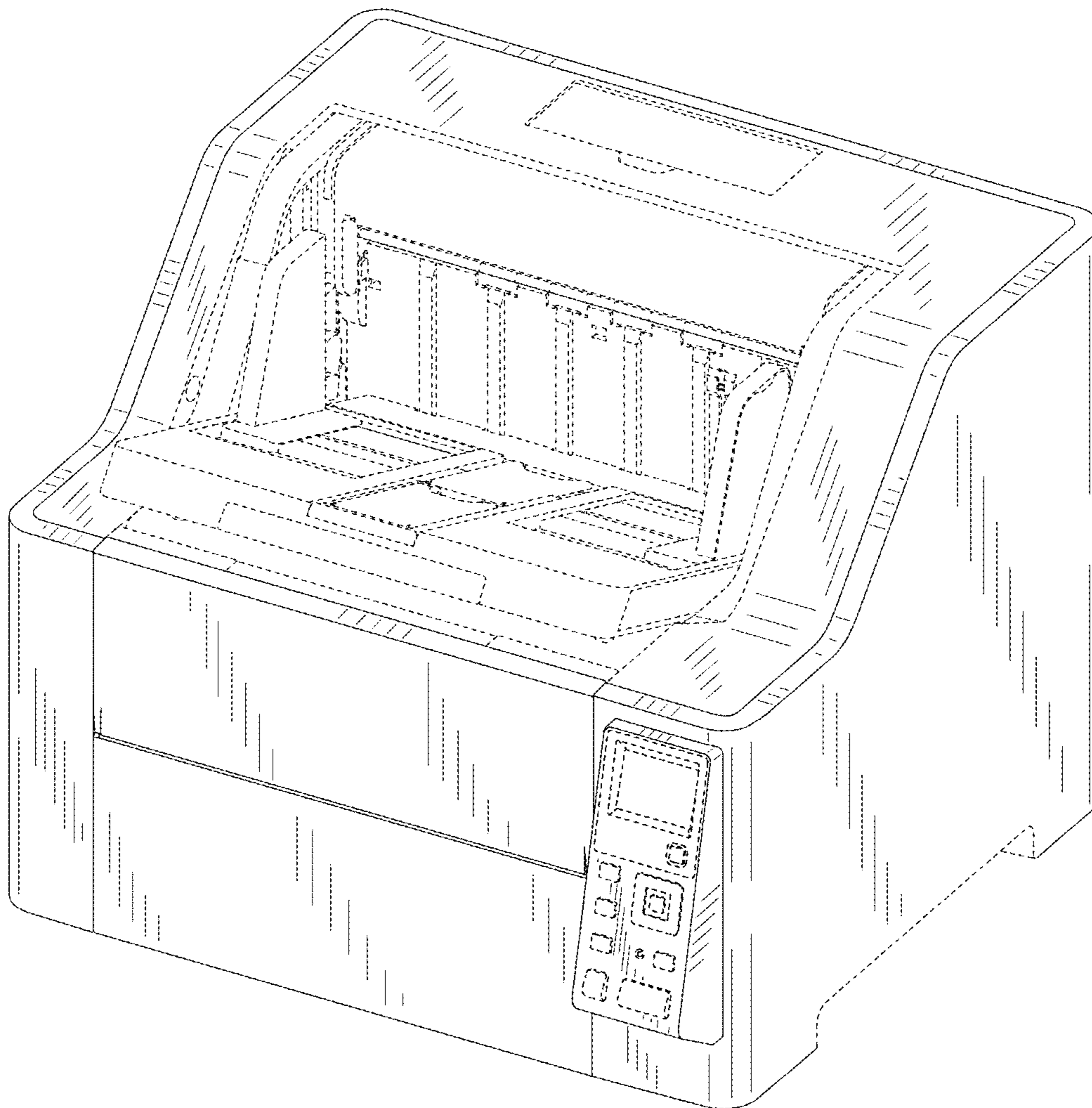


FIG. 2

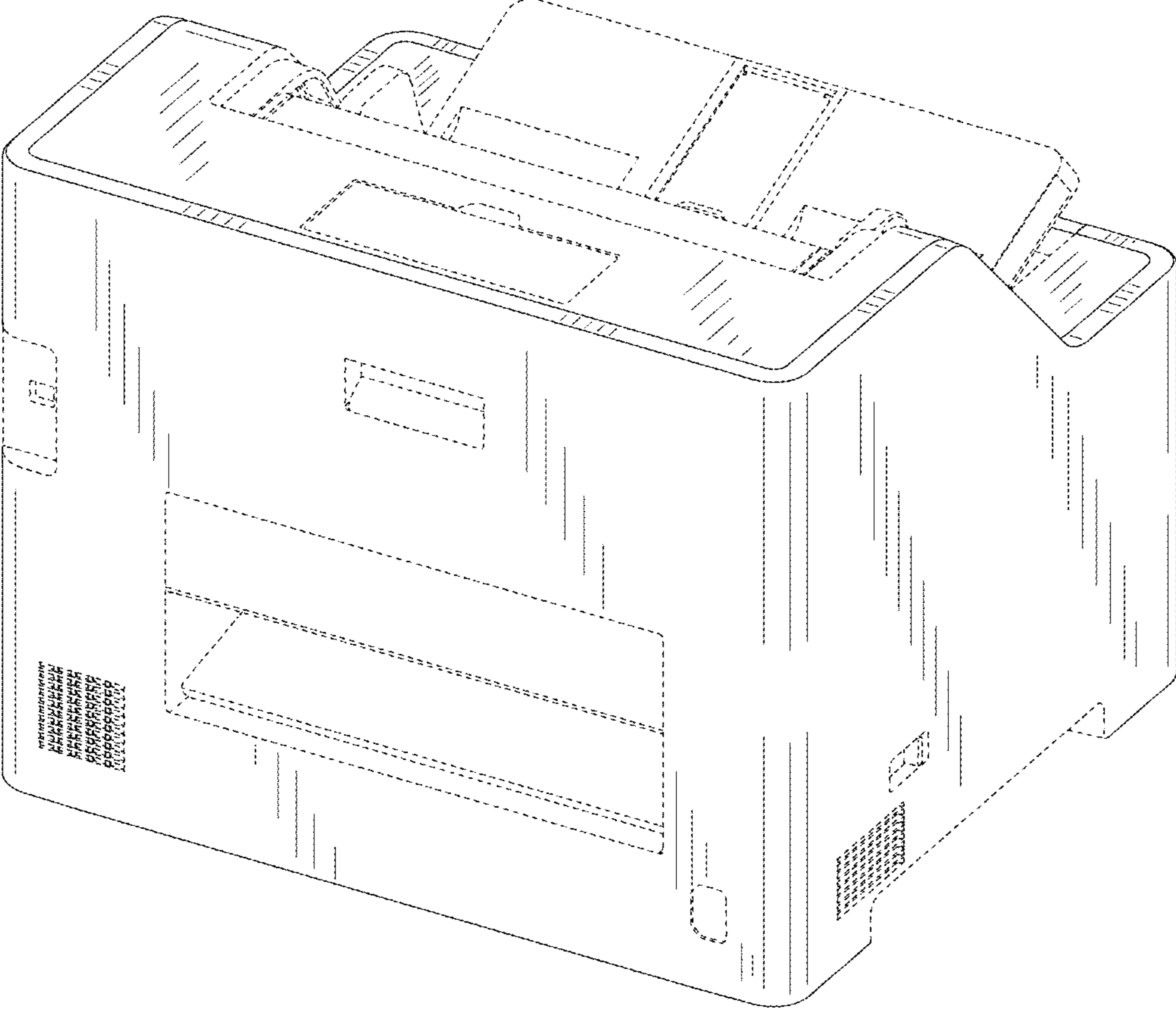


FIG. 3

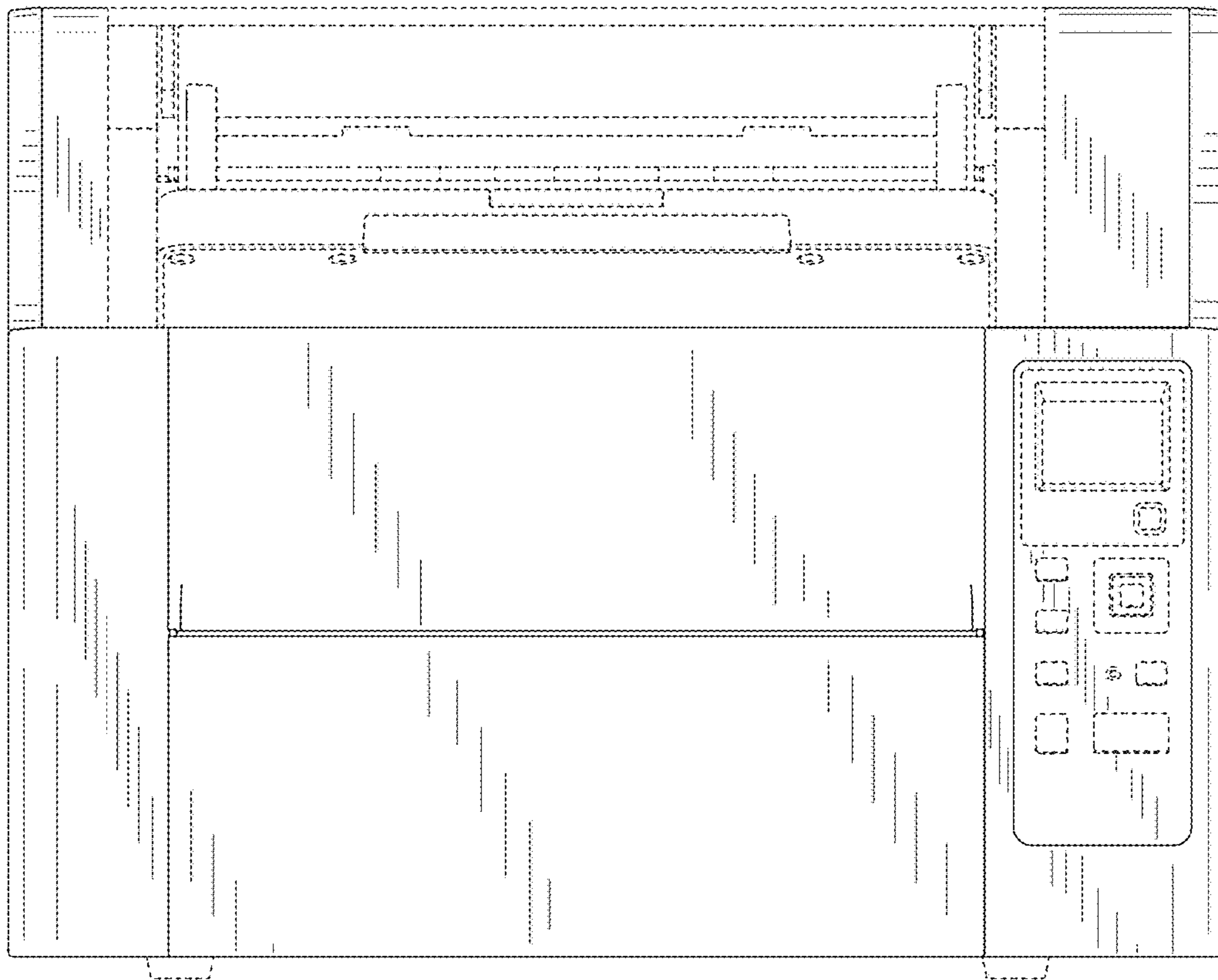


FIG. 4

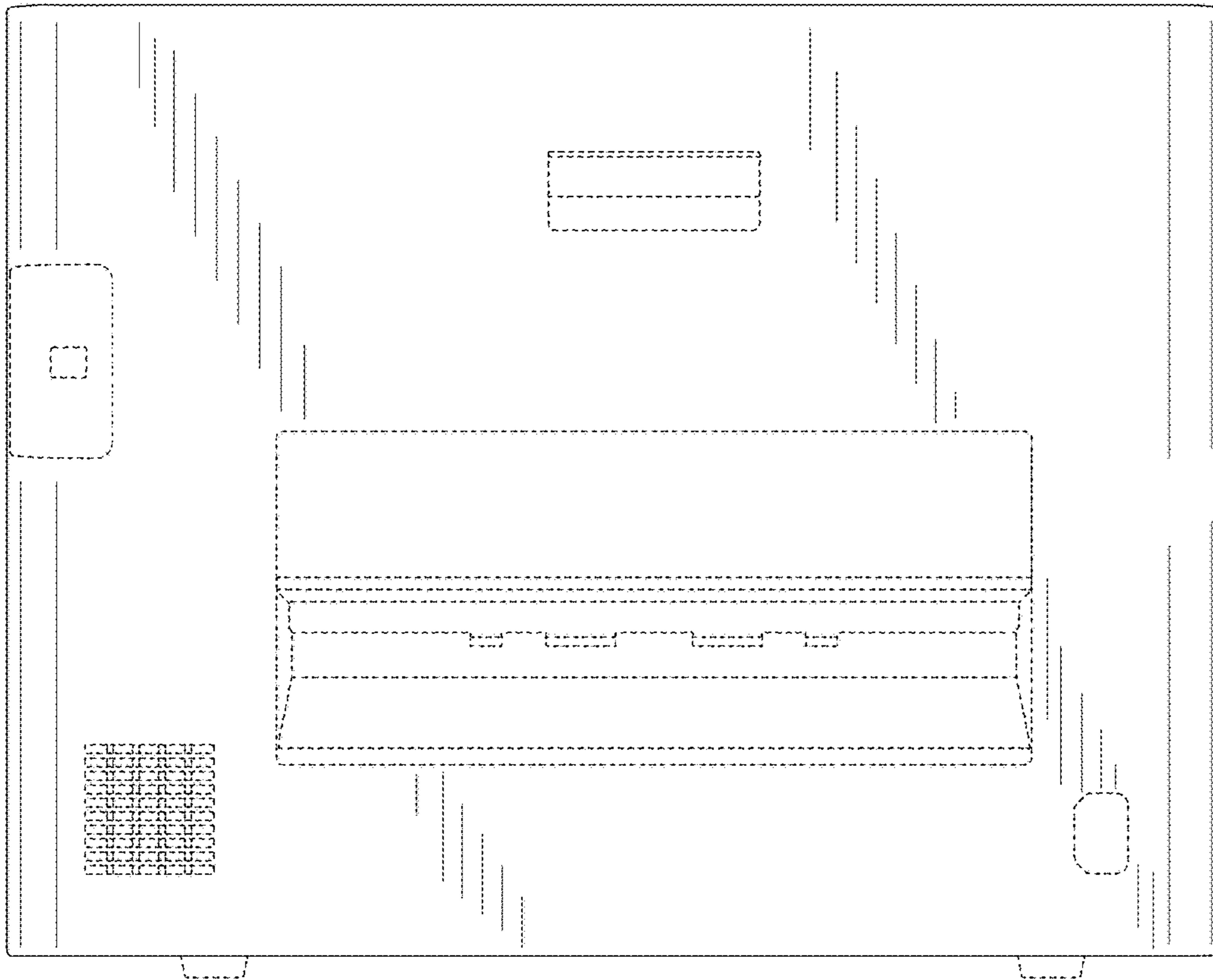


FIG. 5

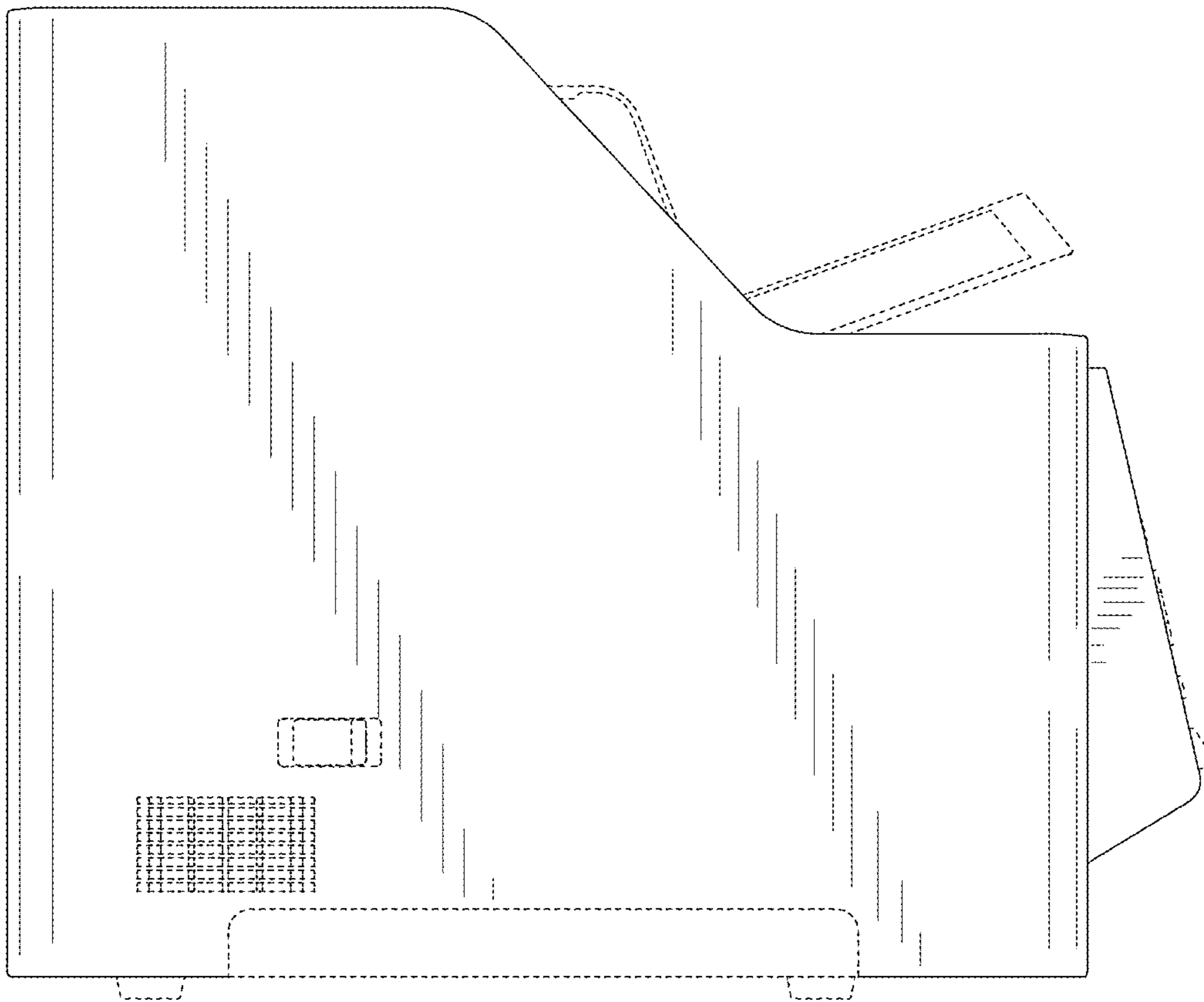


FIG. 6

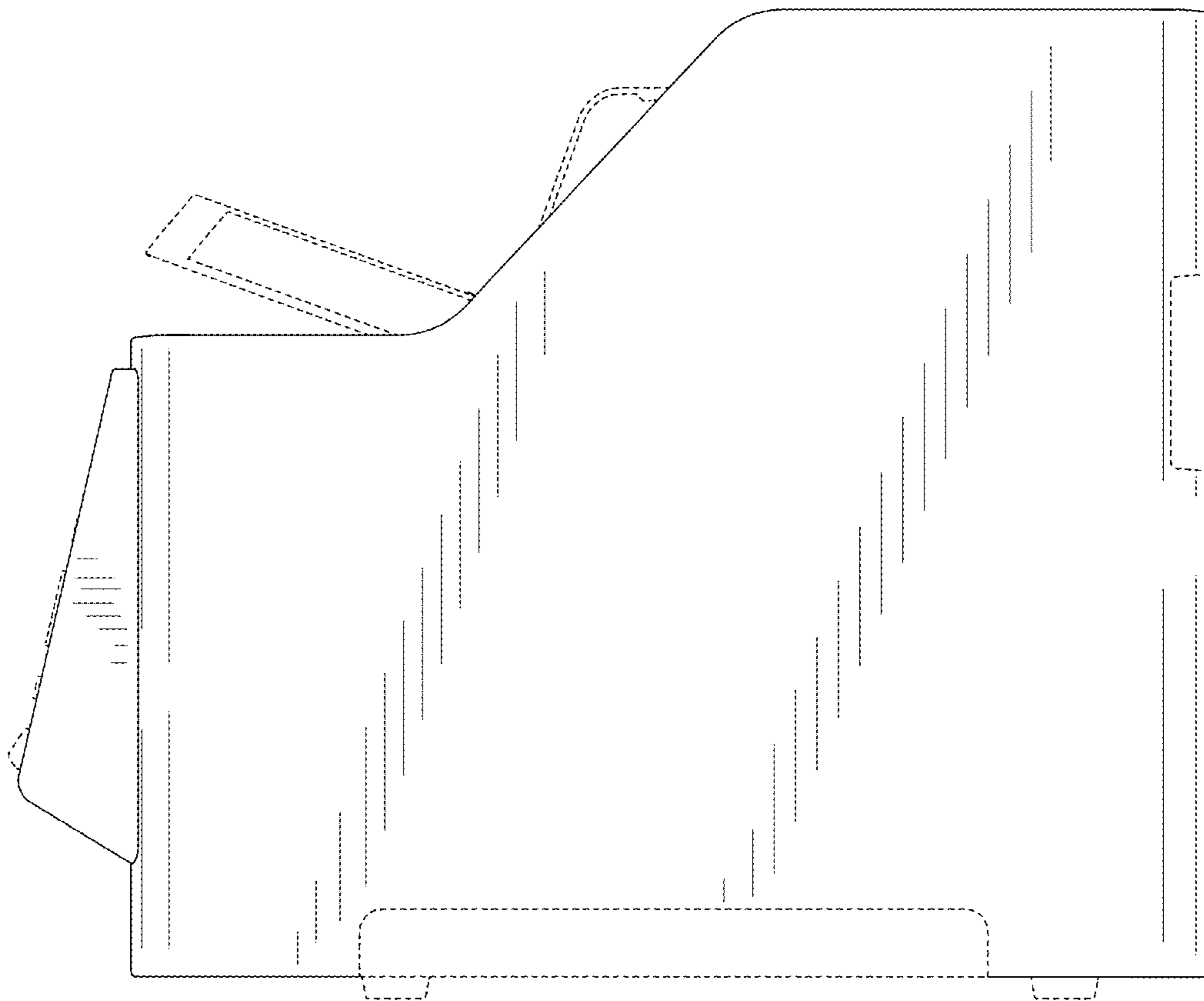


FIG. 7

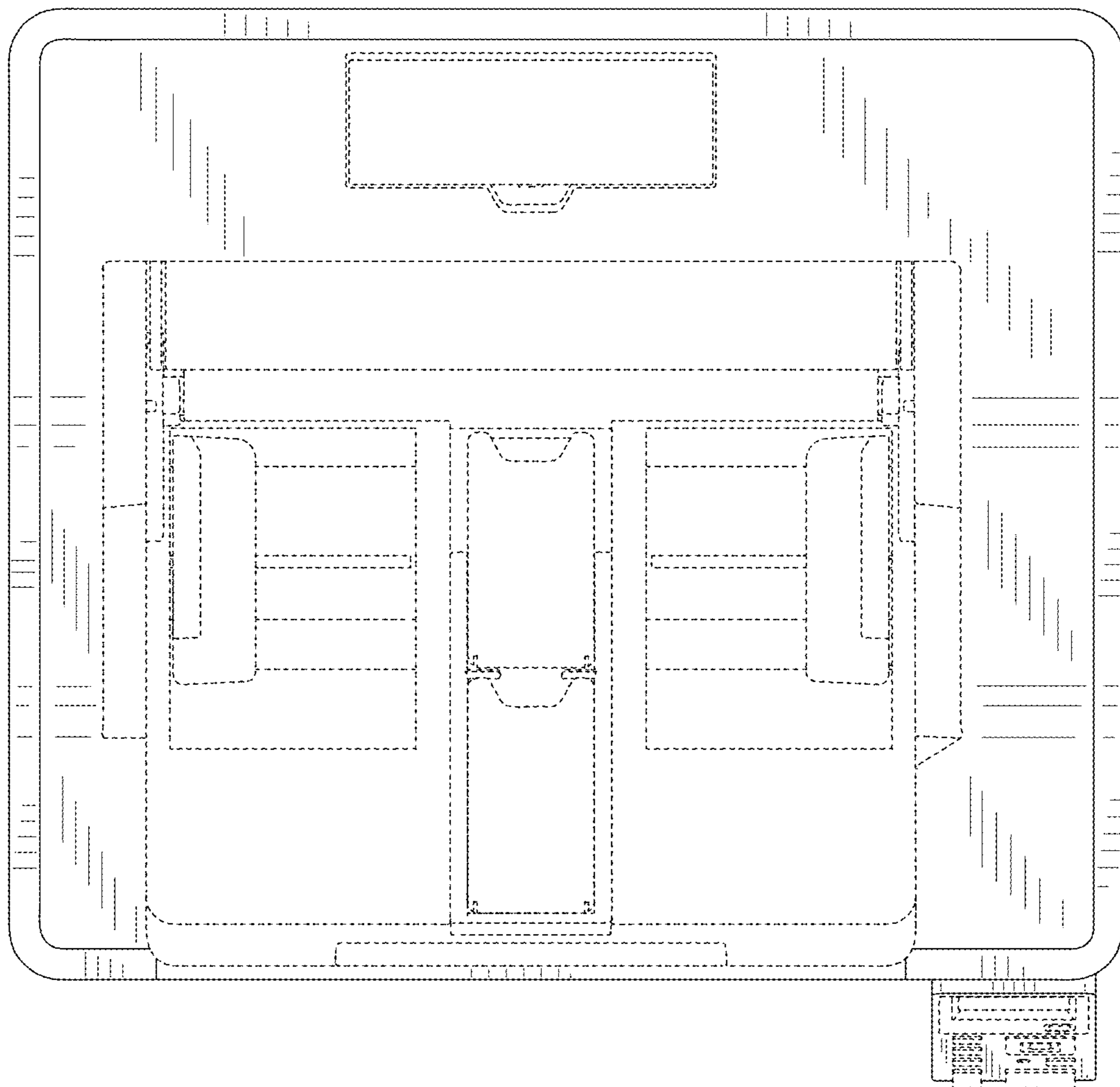


FIG. 8

