



US00D811402S

(12) **United States Design Patent**  
**Nishizawa**

(10) **Patent No.:** **US D811,402 S**

(45) **Date of Patent:** **\*\* Feb. 27, 2018**

(54) **ELECTRONIC PEN**

(71) Applicant: **Wacom Co., Ltd.**, Kazo-shi, Saitama (JP)

(72) Inventor: **Naoya Nishizawa**, Tokyo (JP)

(73) Assignee: **Wacom Co., Ltd.**, Kazo-shi (JP)

(\*\*) Term: **15 Years**

(21) Appl. No.: **29/594,652**

(22) Filed: **Feb. 21, 2017**

(30) **Foreign Application Priority Data**

Aug. 26, 2016 (JP) ..... 2016-018157

(51) **LOC (11) Cl.** ..... **14-02**

(52) **U.S. Cl.**  
USPC ..... **D14/411**

(58) **Field of Classification Search**

USPC ..... D14/372, 496, 432, 371, 125, 126, 129,  
D14/299, 411; D16/300-342; 351/158,  
351/153, 144; 345/7-9, 905; 455/344;  
348/115, 53, 121, 739

CPC ..... G02B 27/017; G06F 3/016; G06F 3/033;  
G06F 3/0317; G06F 3/03545; G06F  
3/041; G06K 9/222

See application file for complete search history.

(56) **References Cited**

**U.S. PATENT DOCUMENTS**

D659,141 S \* 5/2012 Watson ..... D14/411  
D670,289 S \* 11/2012 Bae ..... D14/411  
D708,616 S \* 7/2014 Nakata ..... D14/411  
D717,303 S \* 11/2014 Huang ..... D14/411  
D725,112 S \* 3/2015 Bo ..... D14/411

D754,661 S \* 4/2016 Nishizawa ..... D14/411  
D768,133 S \* 10/2016 Reed ..... D14/411  
D777,726 S \* 1/2017 Nishizawa ..... D14/411  
D781,293 S \* 3/2017 Mitchell ..... D14/411  
D783,022 S \* 4/2017 Sirota ..... D14/411  
D784,991 S \* 4/2017 Chang ..... D14/411  
D786,871 S \* 5/2017 Park ..... D14/411

**FOREIGN PATENT DOCUMENTS**

EM DM/079 074 S 9/2012  
JP D1573087 S 4/2017

\* cited by examiner

*Primary Examiner* — Austin Murphy

(74) *Attorney, Agent, or Firm* — Christensen O'Connor Johnson Kindness PLLC

(57) **CLAIM**

The ornamental design for an electronic pen, as shown and described.

**DESCRIPTION**

FIG. 1 is a front perspective view of an electronic pen according to a representative embodiment of our new design;

FIG. 2 is a rear perspective view of the electronic pen shown in FIG. 1;

FIG. 3 is a front view of the electronic pen shown in FIG. 1;

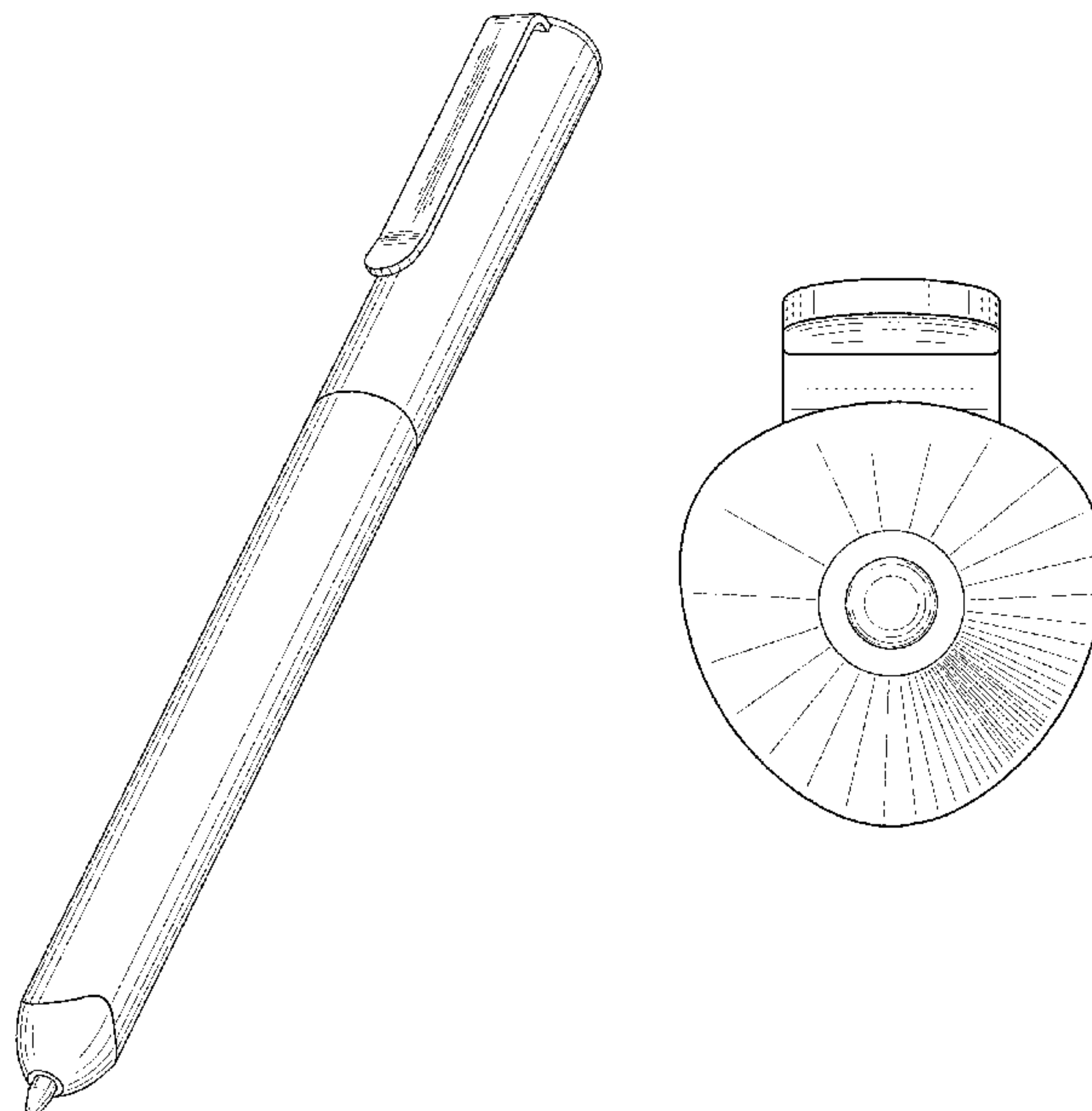
FIG. 4 is a side view of the electronic pen shown in FIG. 1, the opposite side of the side shown in FIG. 4 being a mirror image thereof and therefore not shown;

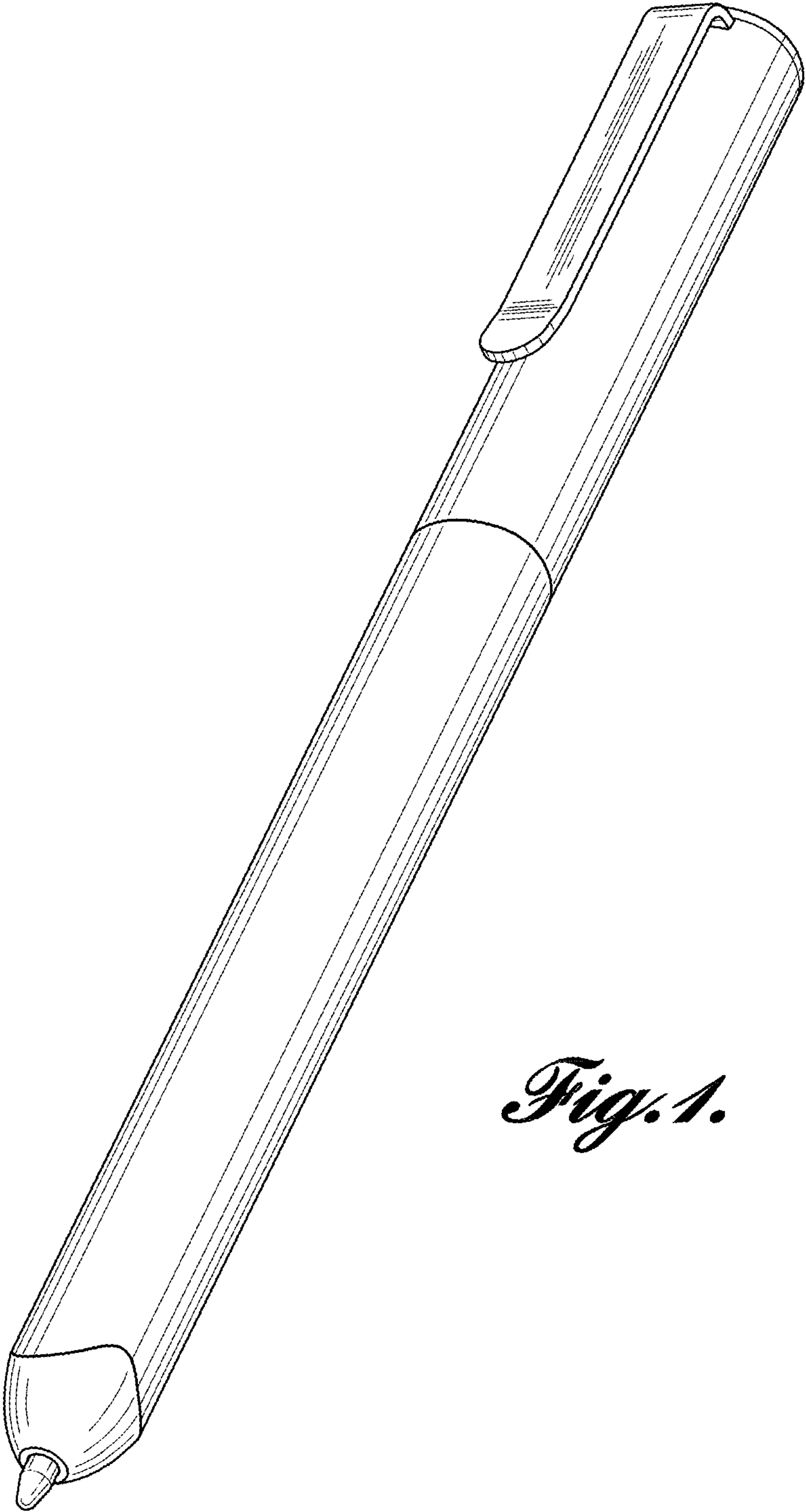
FIG. 5 is a rear view of the electronic pen shown in FIG. 1;

FIG. 6 is a top view of the electronic pen shown in FIG. 1; and,

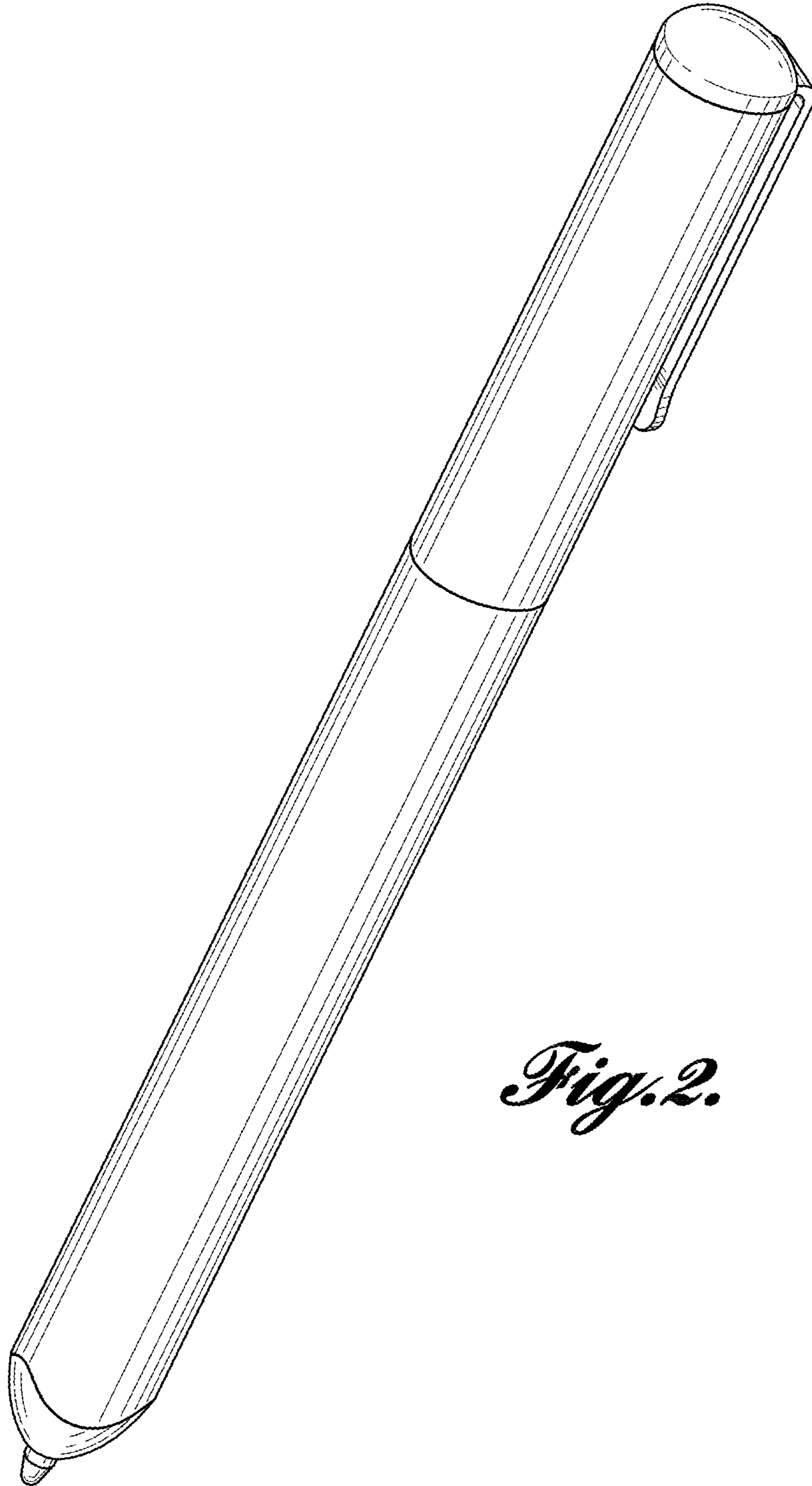
FIG. 7 is a bottom view of the electronic pen shown in FIG. 1.

**1 Claim, 4 Drawing Sheets**

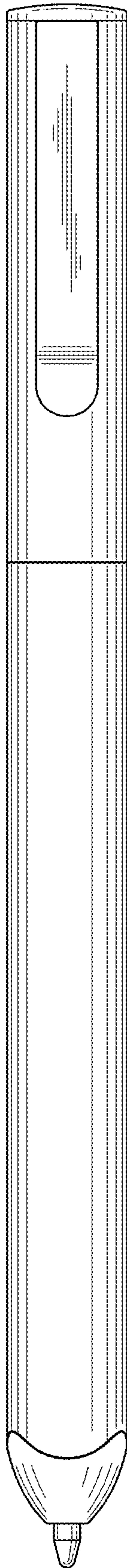




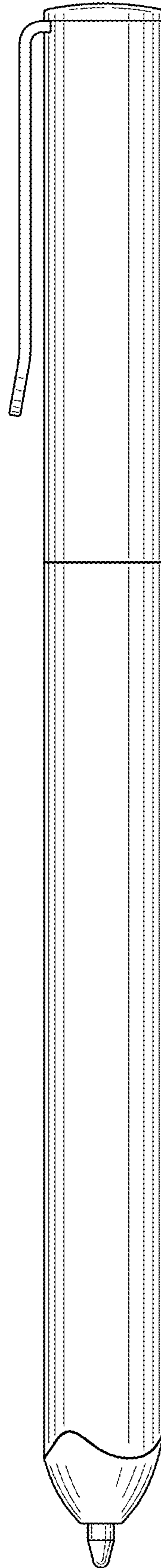
*Fig. 1.*



*Fig. 2.*

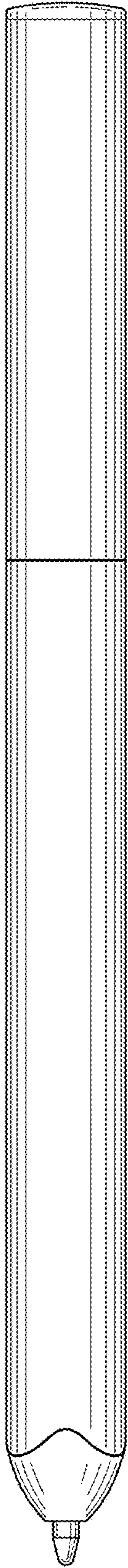


*Fig. 3.*

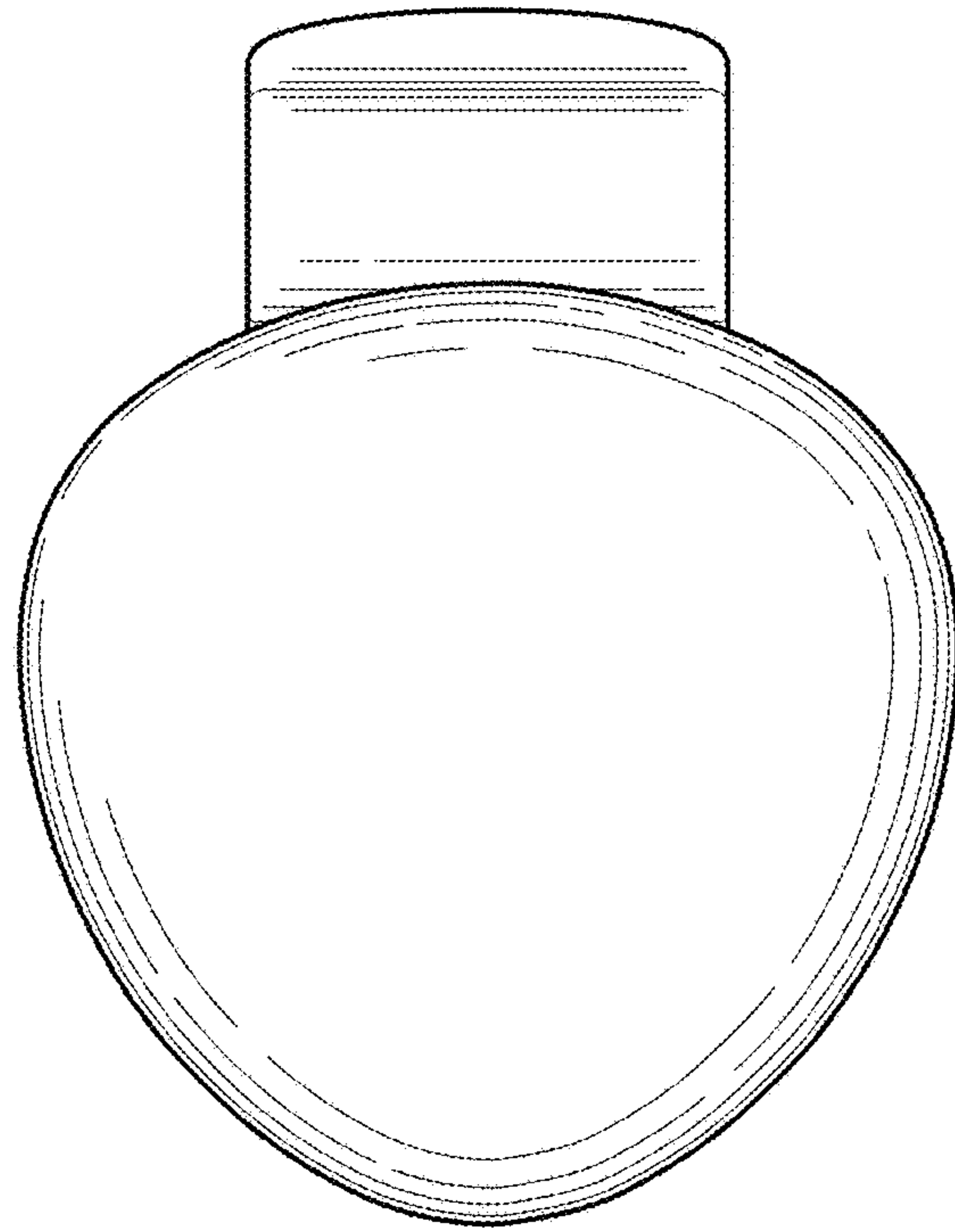


*Fig. 4.*

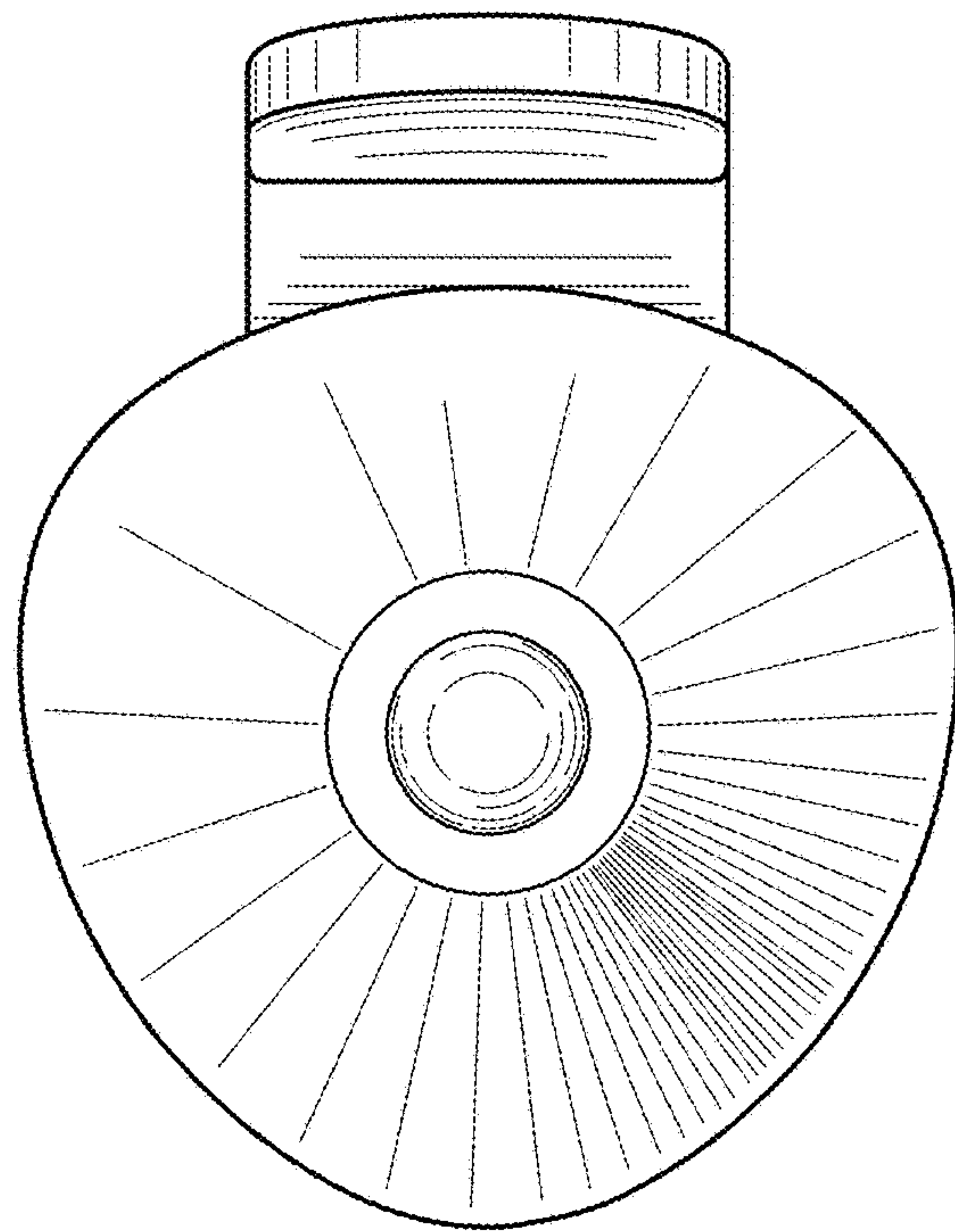




*Fig. 5.*



*Fig. 6.*



*Fig. 7.*