



US00D811401S

(12) **United States Design Patent**  
**Lehman et al.**

(10) **Patent No.:** **US D811,401 S**  
(45) **Date of Patent:** **\*\* Feb. 27, 2018**

- (54) **ELECTRONIC PEN**
- (71) Applicant: **Wacom Co., Ltd.**, Kazo-shi, Saitama (JP)
- (72) Inventors: **Scott Lehman**, Marietta, GA (US);  
**Edward I. Stamm, Jr.**, Roswell, GA (US); **Naoya Nishizawa**, Tokyo (JP)
- (73) Assignee: **Wacom Co., Ltd.**, Kazo-shi (JP)
- (\*\*) Term: **15 Years**
- (21) Appl. No.: **29/594,481**
- (22) Filed: **Feb. 17, 2017**

D717,798 S *	11/2014	Groene	.....	D14/411
D724,086 S *	3/2015	Schoenert	.....	D14/411
D773,462 S *	12/2016	Mitchell	.....	D14/411
D781,293 S *	3/2017	Mitchell	.....	D14/411
D784,991 S *	4/2017	Chang	.....	D14/411
D789,370 S *	6/2017	Akana	.....	D14/411

**FOREIGN PATENT DOCUMENTS**

JP D1553034 S 7/2016  
\* cited by examiner

*Primary Examiner* — Austin Murphy  
(74) *Attorney, Agent, or Firm* — Christensen O'Connor Johnson Kindness PLLC

(30) **Foreign Application Priority Data**

Aug. 22, 2016 (JP) ..... 2016-017804

(51) **LOC (11) Cl.** ..... **14-02**

(52) **U.S. Cl.**  
USPC ..... **D14/411**

(58) **Field of Classification Search**  
USPC ..... D14/372, 496, 432, 371, 125, 126, 129,  
D14/299, 411; D16/300–342; 351/158,  
351/153, 144; 345/7–9, 905; 455/344;  
348/115, 53, 121, 739  
CPC ..... G02B 27/017; G06F 3/016; G06F 3/033;  
G06F 3/0317; G06F 3/03545; G06F  
3/041; G06K 9/222  
See application file for complete search history.

(56) **References Cited**

**U.S. PATENT DOCUMENTS**

D614,622 S *	4/2010	Nakata	.....	D14/411
D617,327 S *	6/2010	Crisp	.....	D14/411
D670,700 S *	11/2012	Halsinger	.....	D14/411
D699,723 S *	2/2014	Nishizawa	.....	D14/411

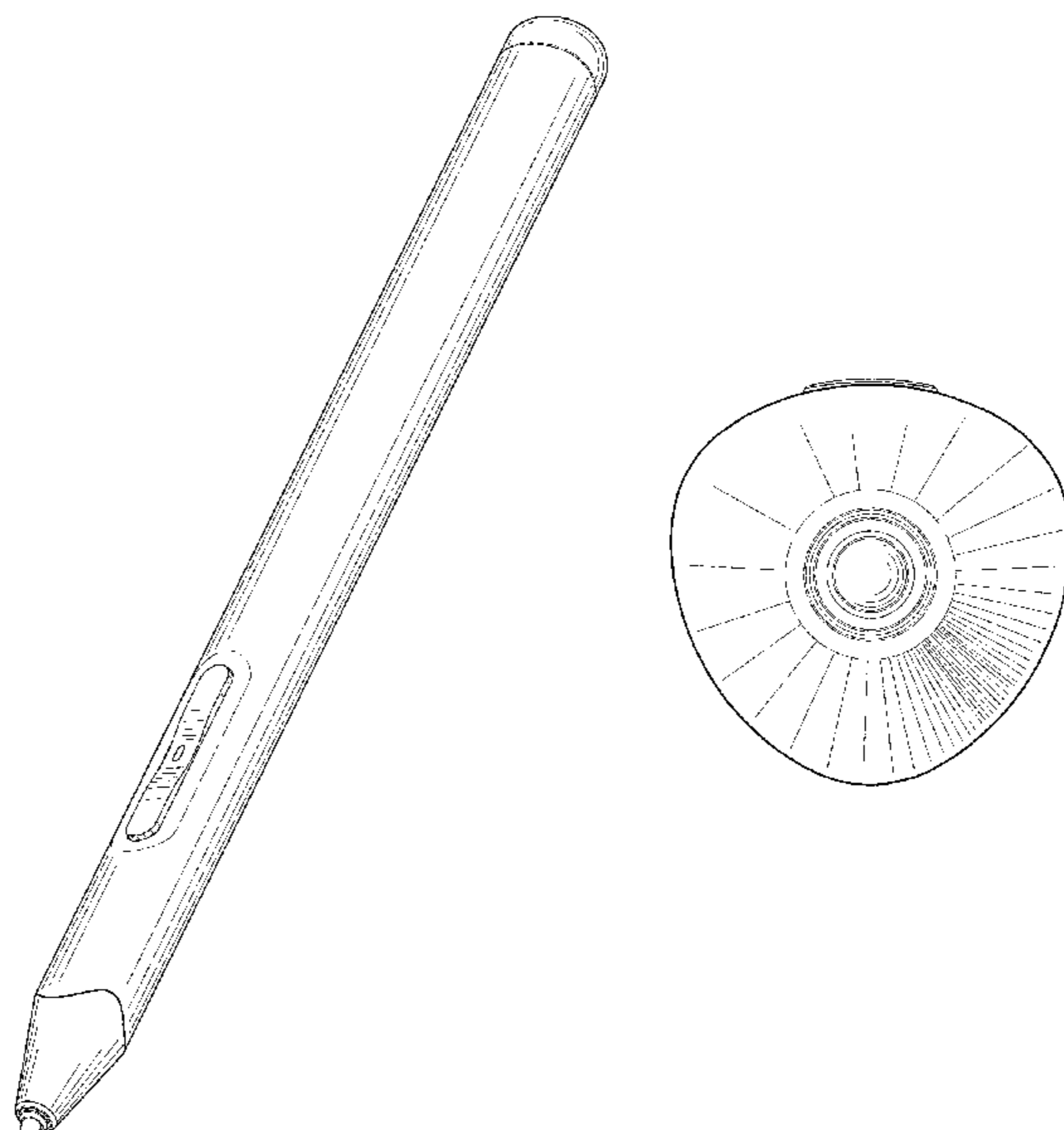
(57) **CLAIM**

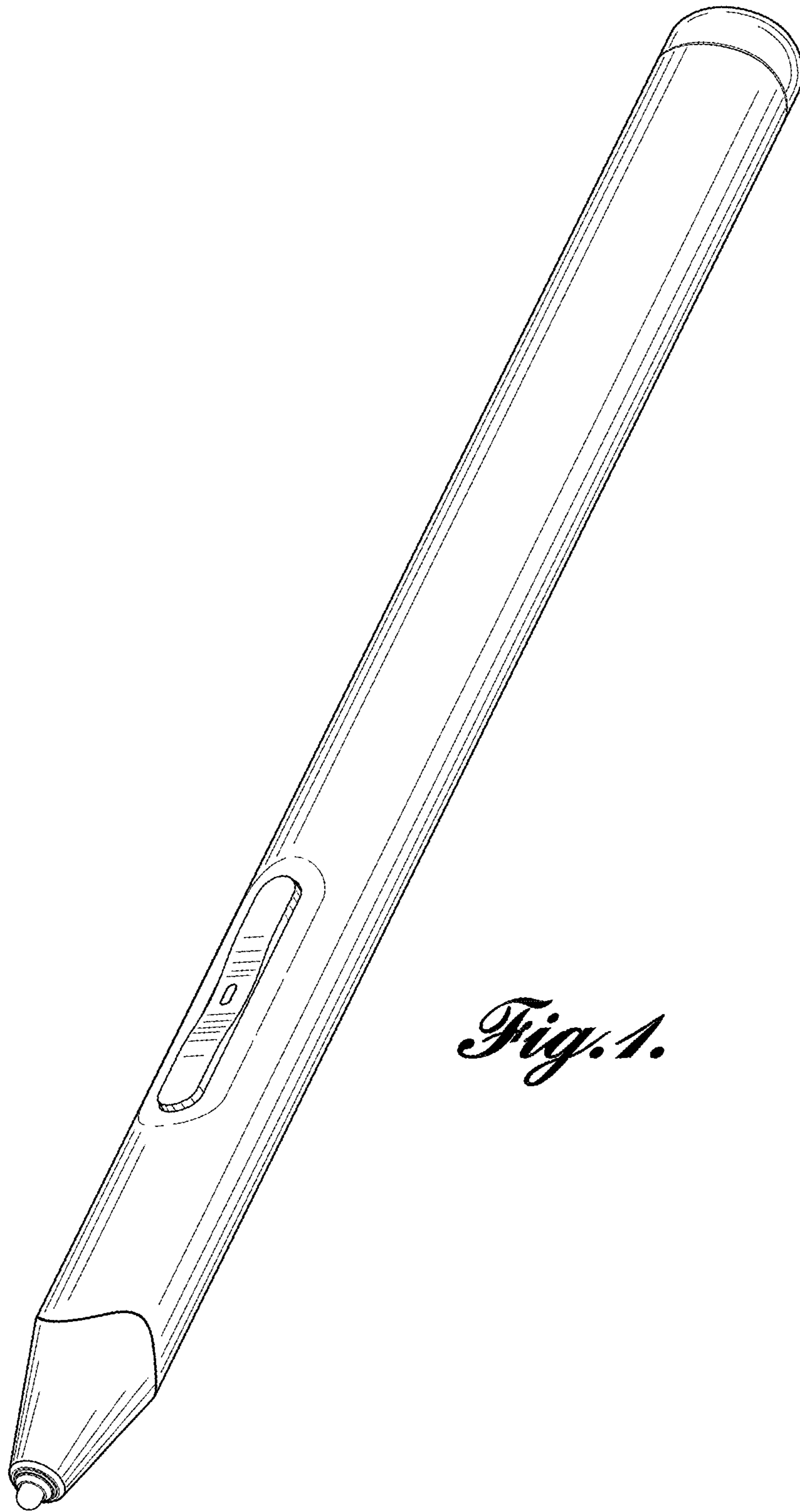
The ornamental design for an electronic pen, as shown and described.

**DESCRIPTION**

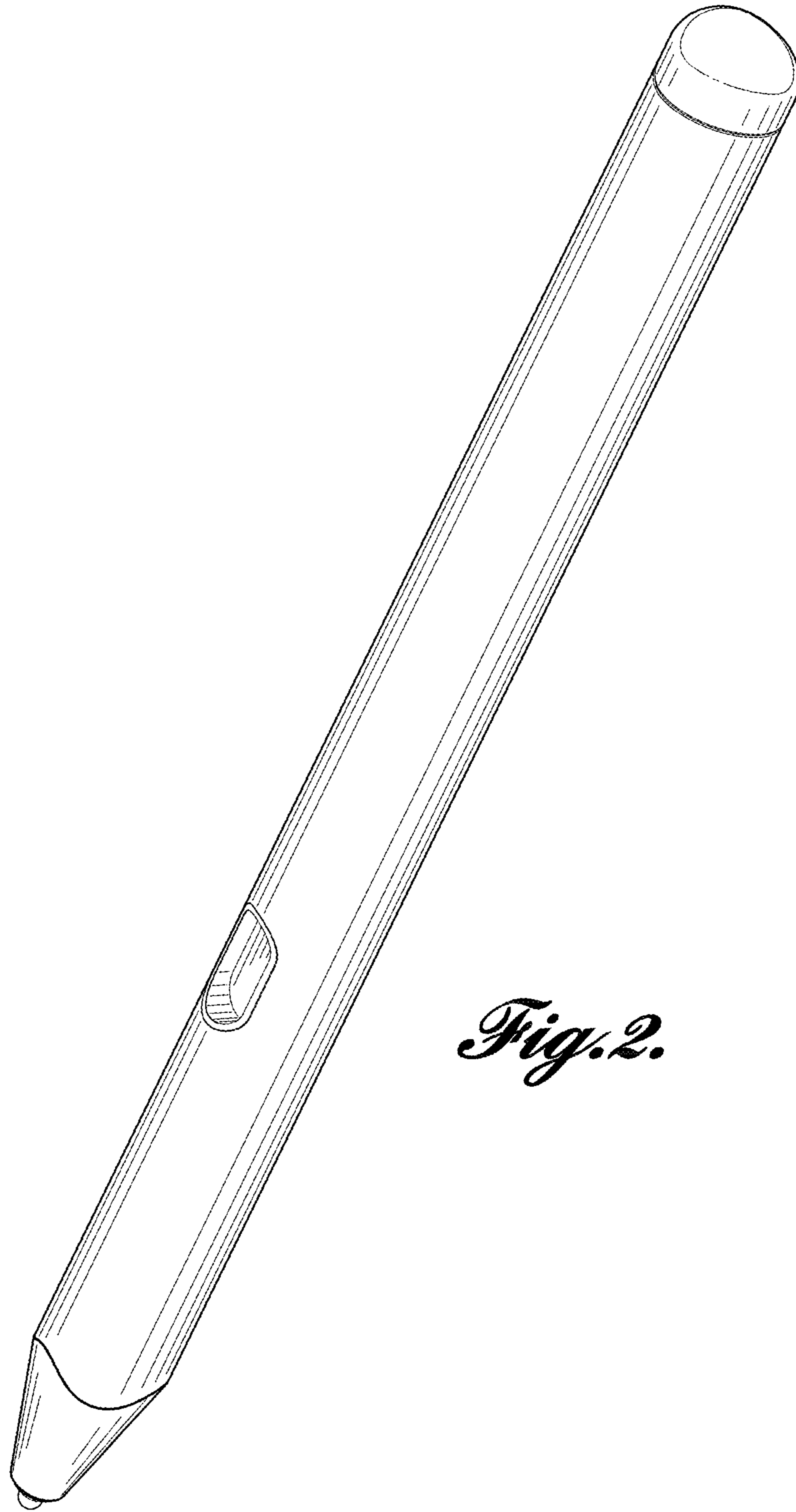
FIG. 1 is a front perspective view of an electronic pen according to a representative embodiment of our new design;  
FIG. 2 is a rear perspective view of the electronic pen shown in FIG. 1;  
FIG. 3 is a front view of the electronic pen shown in FIG. 1;  
FIG. 4 is a side view of the electronic pen shown in FIG. 1, the opposite side of the side shown in FIG. 4 being a mirror image thereof and therefore not shown;  
FIG. 5 is a rear view of the electronic pen shown in FIG. 1;  
FIG. 6 is a top view of the electronic pen shown in FIG. 1; and,  
FIG. 7 is a bottom view of the electronic pen shown in FIG. 1.

**1 Claim, 4 Drawing Sheets**

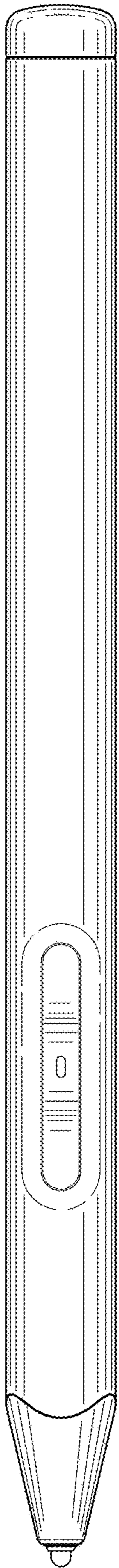




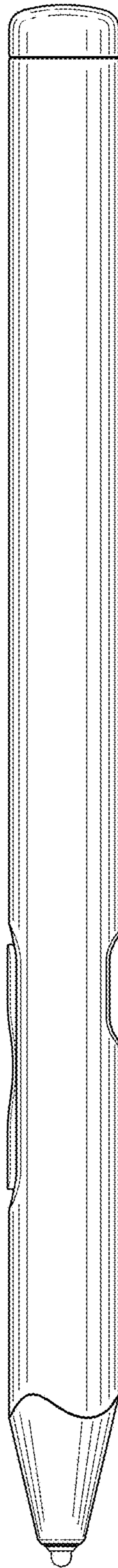
*Fig. 1.*



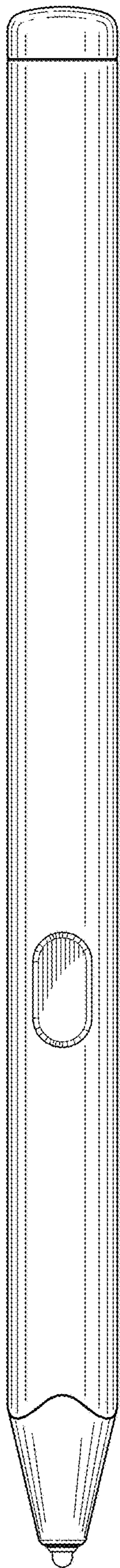
*Fig. 2.*



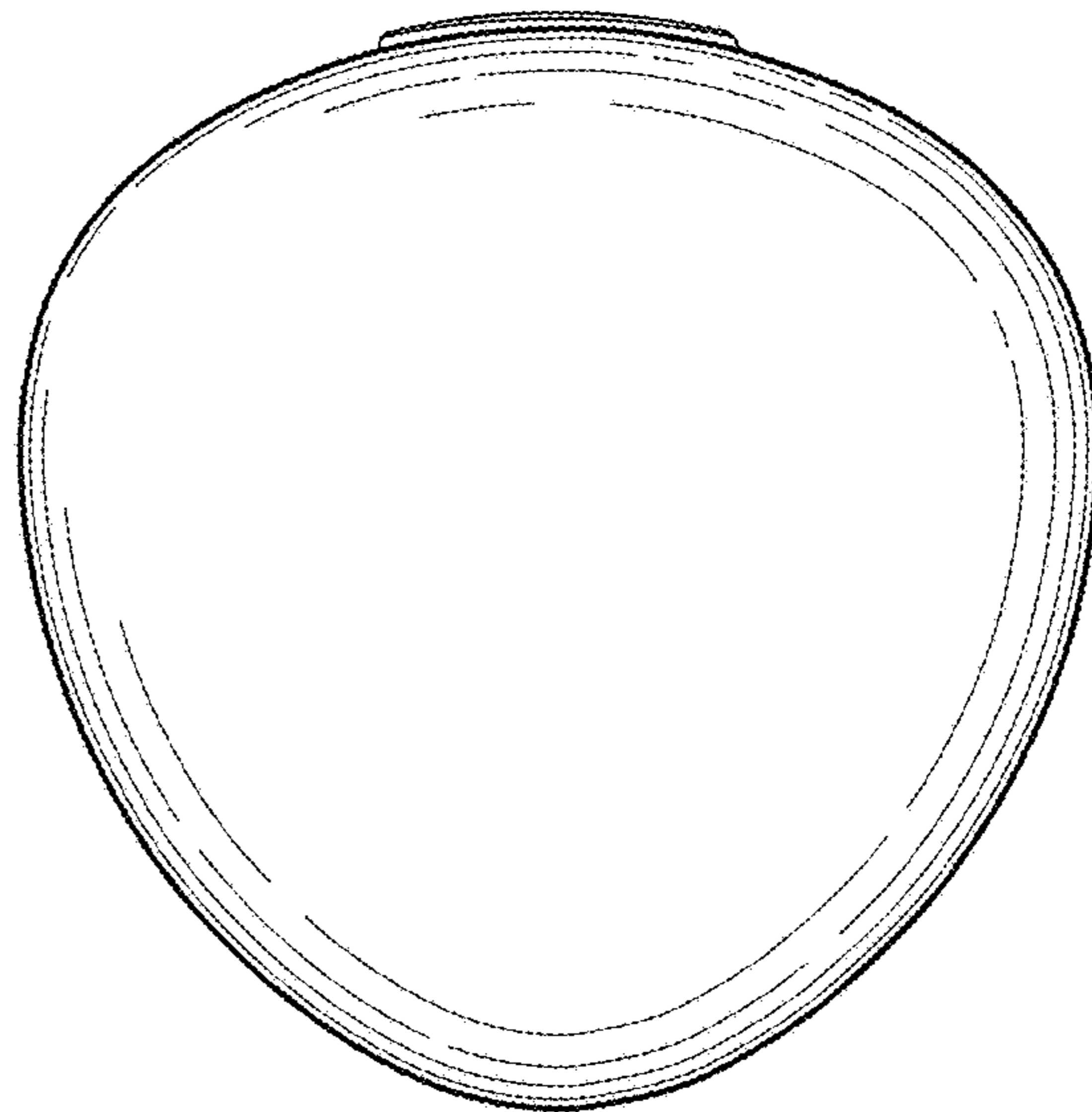
*Fig. 3.*



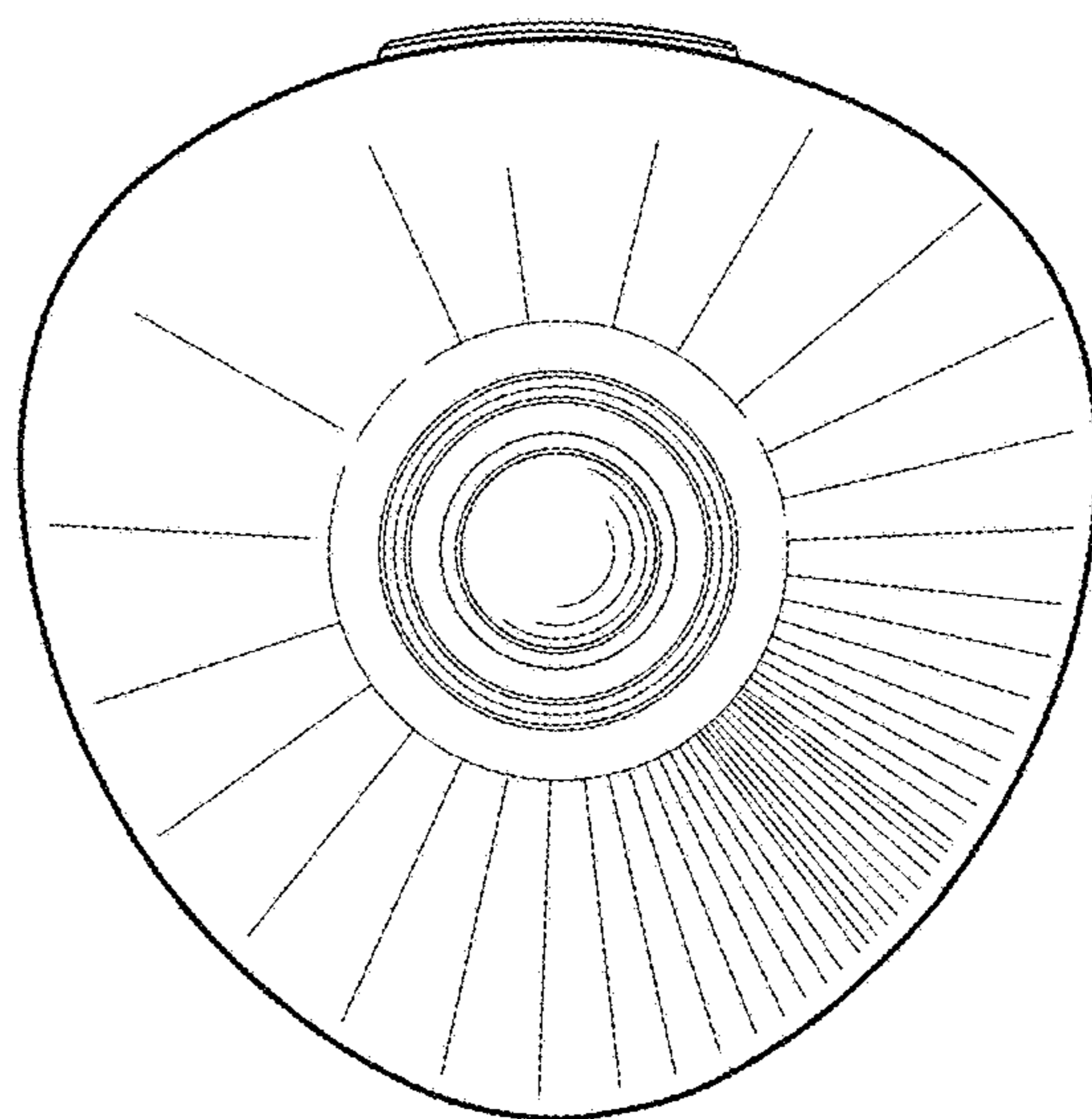
*Fig. 4.*



*Fig. 5.*



*Fig. 6.*



*Fig. 7.*