



US00D811400S

(12) **United States Design Patent** (10) **Patent No.:** **US D811,400 S**
Nishizawa (45) **Date of Patent:** **** Feb. 27, 2018**

(54) **ELECTRONIC PEN**

(71) Applicant: **Wacom Co., Ltd.**, Kazo-shi, Saitama (JP)

(72) Inventor: **Naoya Nishizawa**, Setagaya-ku (JP)

(73) Assignee: **Wacom Co., Ltd.**, Kazo-shi (JP)

(**) Term: **15 Years**

(21) Appl. No.: **29/553,413**

(22) Filed: **Feb. 1, 2016**

(30) **Foreign Application Priority Data**

Aug. 6, 2015 (JP) 2015-017498

(51) **LOC (11) Cl.** **14-02**

(52) **U.S. Cl.**
USPC **D14/411**

(58) **Field of Classification Search**
USPC D14/372, 496, 432, 371, 125, 126, 129,
D14/299, 411; D16/300-342; 351/158,
(Continued)

(56) **References Cited**

U.S. PATENT DOCUMENTS

D595,718 S 7/2009 Richter et al.
D686,619 S * 7/2013 Liu D14/411
(Continued)

Primary Examiner — Austin Murphy

(74) *Attorney, Agent, or Firm* — Christensen O'Connor
Johnson Kindness PLLC

(57) **CLAIM**

The ornamental design for an electronic pen, as shown and described.

DESCRIPTION

FIG. 1 is a front perspective view of an electronic pen with a cap according to my new design;

FIG. 2 is a rear perspective view thereof;

FIG. 3 is a side view thereof, the side opposite of the side shown in FIG. 3 being a mirror thereof and therefore not shown;

FIG. 4 is a front view thereof;

FIG. 5 is a rear view thereof;

FIG. 6 is a top view thereof;

FIG. 7 is a bottom view thereof.

FIG. 8 is a bottom perspective view of an electronic pen shown without the cap.

FIG. 9 is a top perspective view of FIG. 8;

FIG. 10 is a side view of FIG. 8; the side opposite of the side shown in FIG. 10 being a mirror thereof and therefore not shown;

FIG. 11 is a front view of FIG. 8;

FIG. 12 is a top view of FIG. 8;

FIG. 13 is a bottom view of FIG. 8;

FIG. 14 is a top perspective view of the cap shown separately;

FIG. 15 is a bottom perspective of FIG. 14;

FIG. 16 is a side view FIG. 14; the side opposite of the side shown in FIG. 16 being a mirror thereof and therefore not shown;

FIG. 17 is a front view FIG. 14;

FIG. 18 is a rear view FIG. 14;

FIG. 19 is a top view FIG. 14;

FIG. 20 is a bottom view FIG. 14;

FIG. 21 is a front perspective view of an electronic pen with a cap shown removed for completeness of illustration;

FIG. 22 is a rear perspective view of FIG. 21;

FIG. 23 is a side view FIG. 21; the side opposite of the side shown in FIG. 23 being a mirror thereof and therefore not shown;

FIG. 24 is a front view FIG. 21;

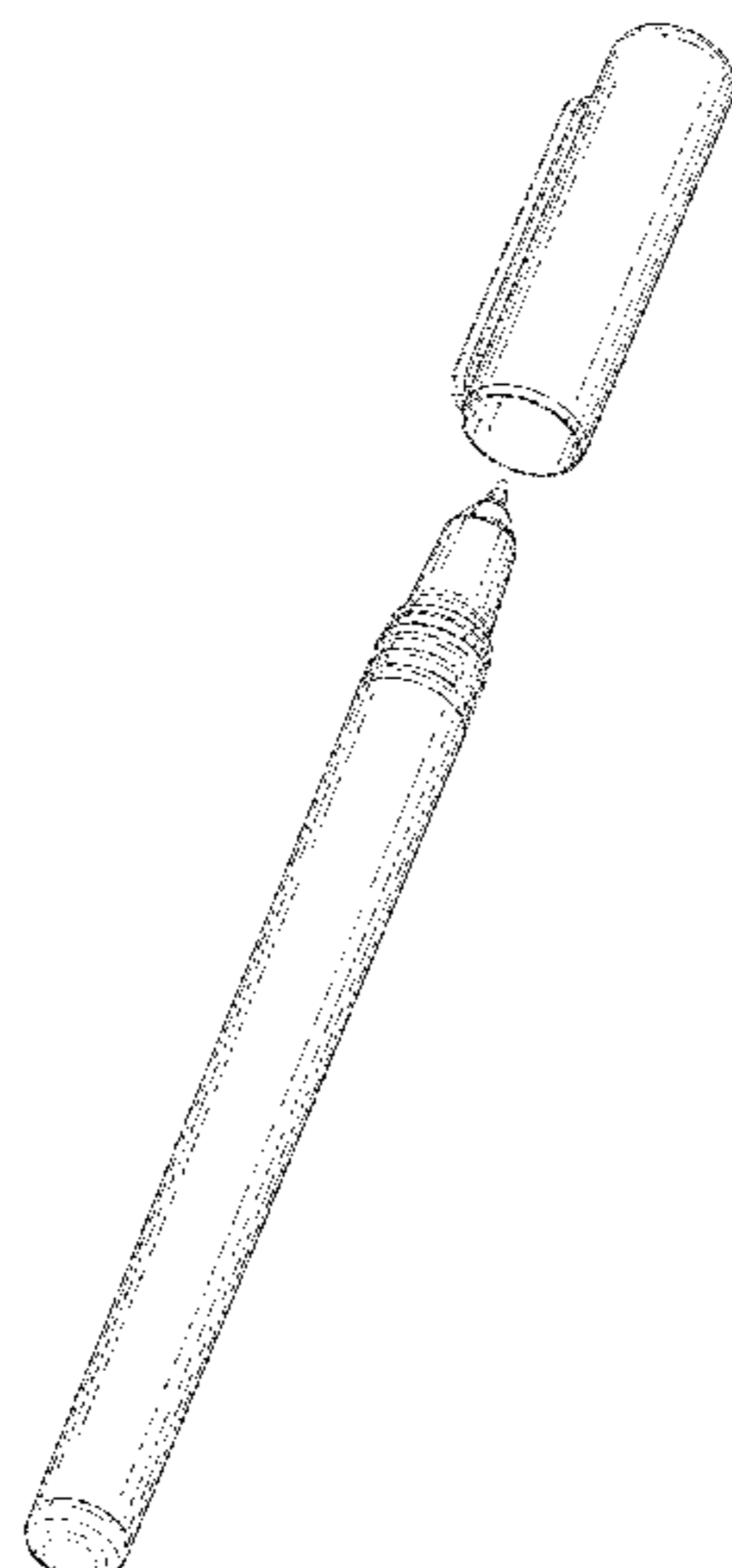
FIG. 25 is a rear view FIG. 21;

FIG. 26 is a top view FIG. 21; and,

FIG. 27 is a bottom view thereof.

The broken lines show portions of the electronic pen which form no part of the claimed design.

1 Claim, 14 Drawing Sheets



(58) **Field of Classification Search**

USPC 351/153, 144; 345/7-9, 905; 455/344;
348/115, 53, 121, 739

CPC G02B 27/017; G06F 3/016; G06F 3/033;
G06F 3/0317; G06F 3/03545; G06F
3/041; G06K 9/222

See application file for complete search history.

(56) **References Cited**

U.S. PATENT DOCUMENTS

D694,326 S *	11/2013	Cambianica	D19/173
D716,814 S *	11/2014	Nakata	D14/411
D717,303 S *	11/2014	Huang	D14/411
D725,112 S *	3/2015	Bo	D14/411
D736,317 S *	8/2015	Miller	D19/173
D752,589 S *	3/2016	Zhang	D14/411
D757,852 S *	5/2016	Bonacina	D19/197
D768,133 S *	10/2016	Reed	D14/411
D772,983 S *	11/2016	Bo	D19/174
D777,726 S *	1/2017	Nishizawa	D14/411
D783,022 S *	4/2017	Sirota	D14/411
D797,741 S *	9/2017	Cebe	D14/411

* cited by examiner

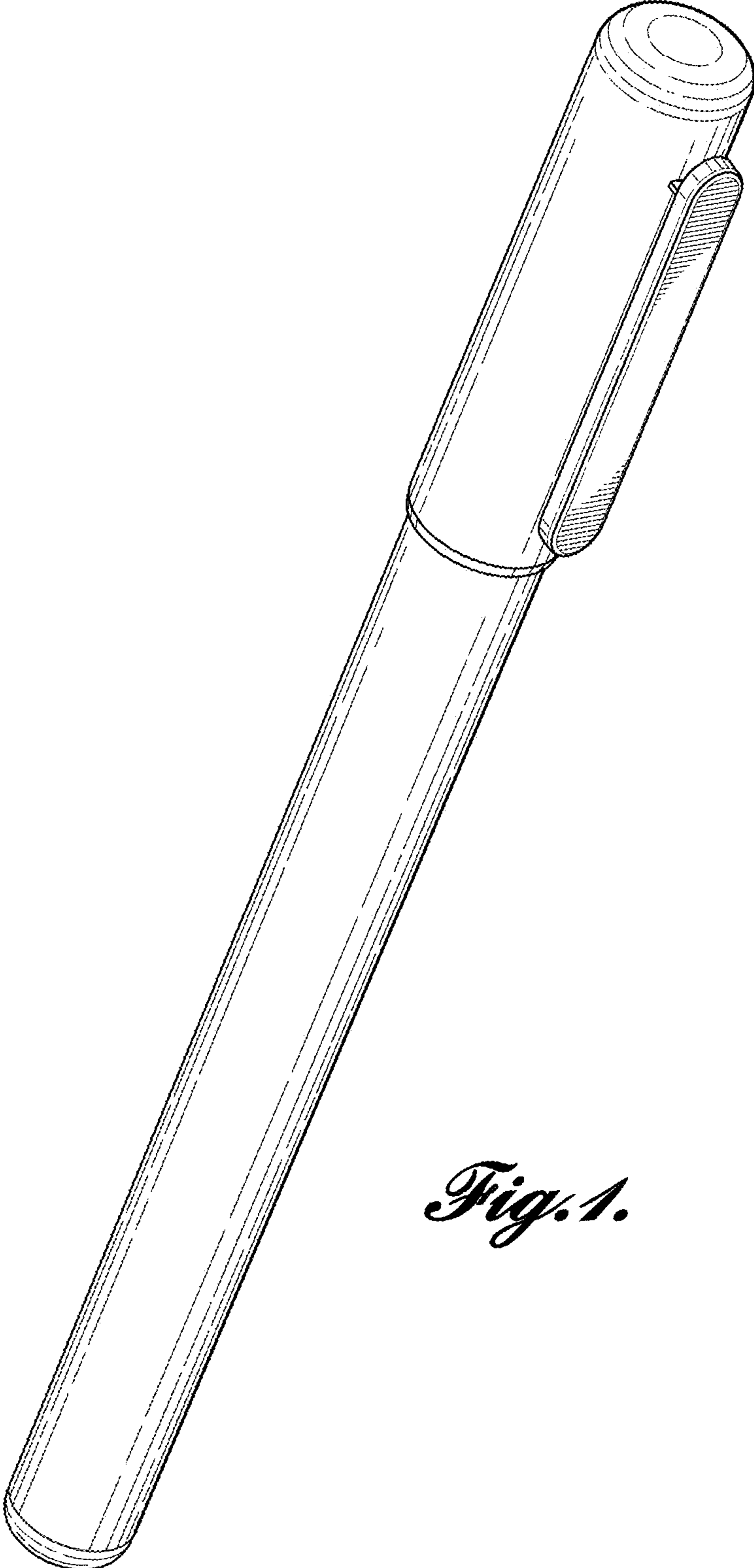


Fig. 1.

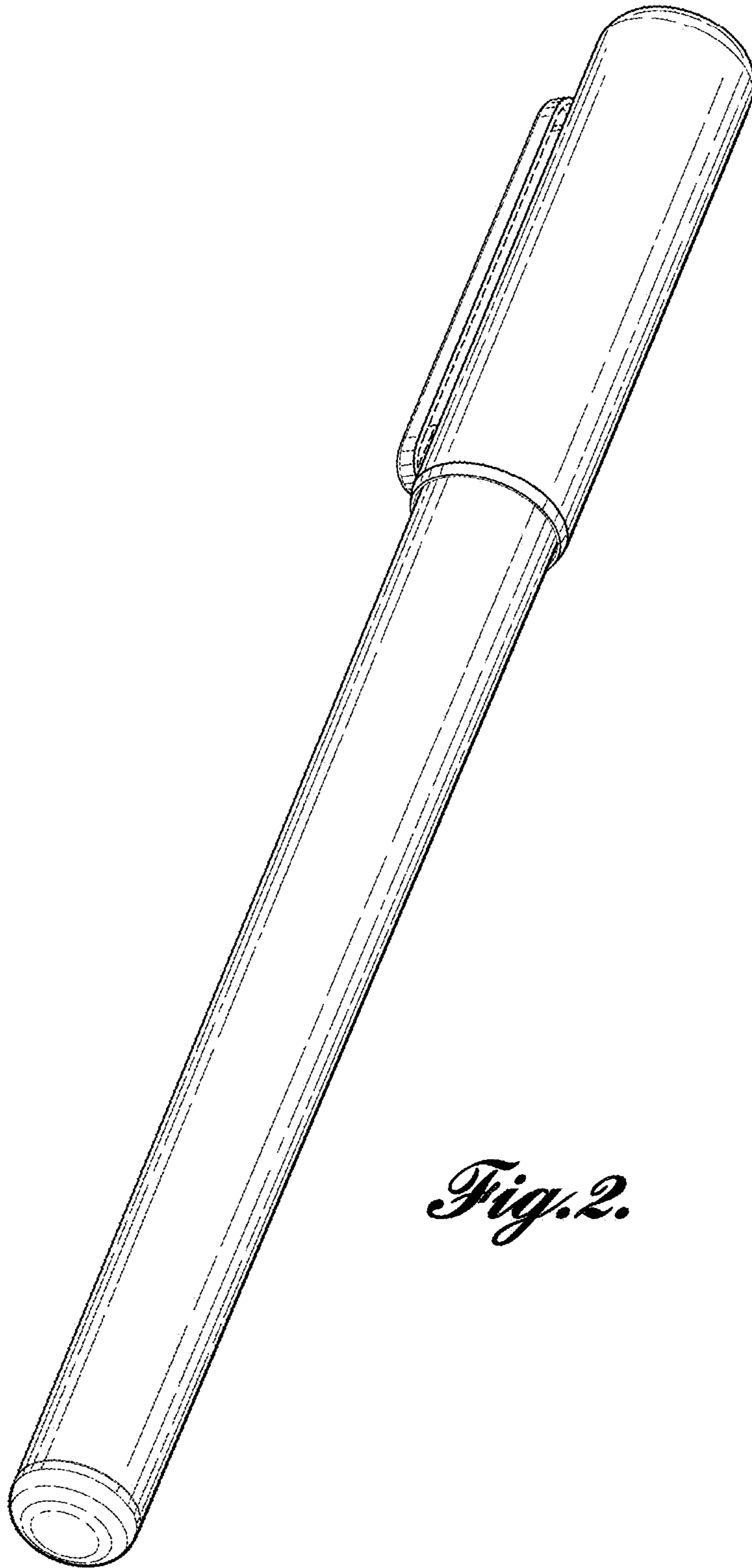


Fig. 2.

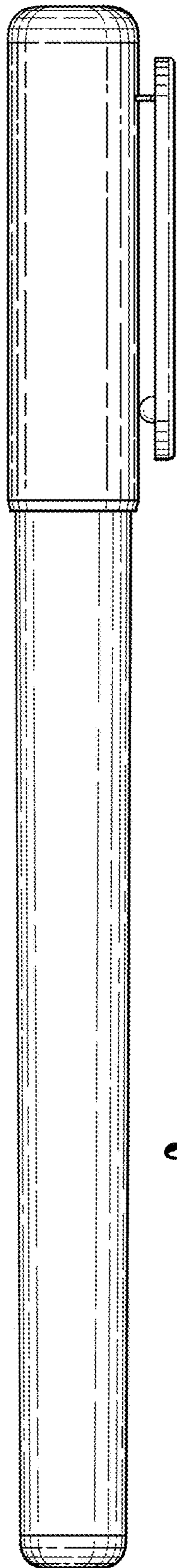


Fig. 3.

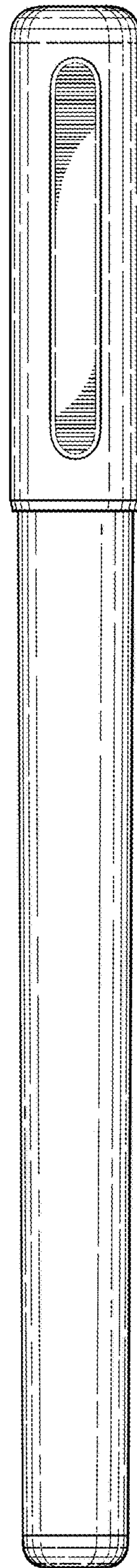


Fig. 4.

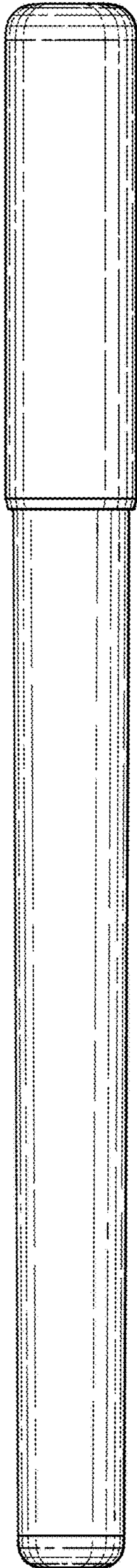


Fig. 5.

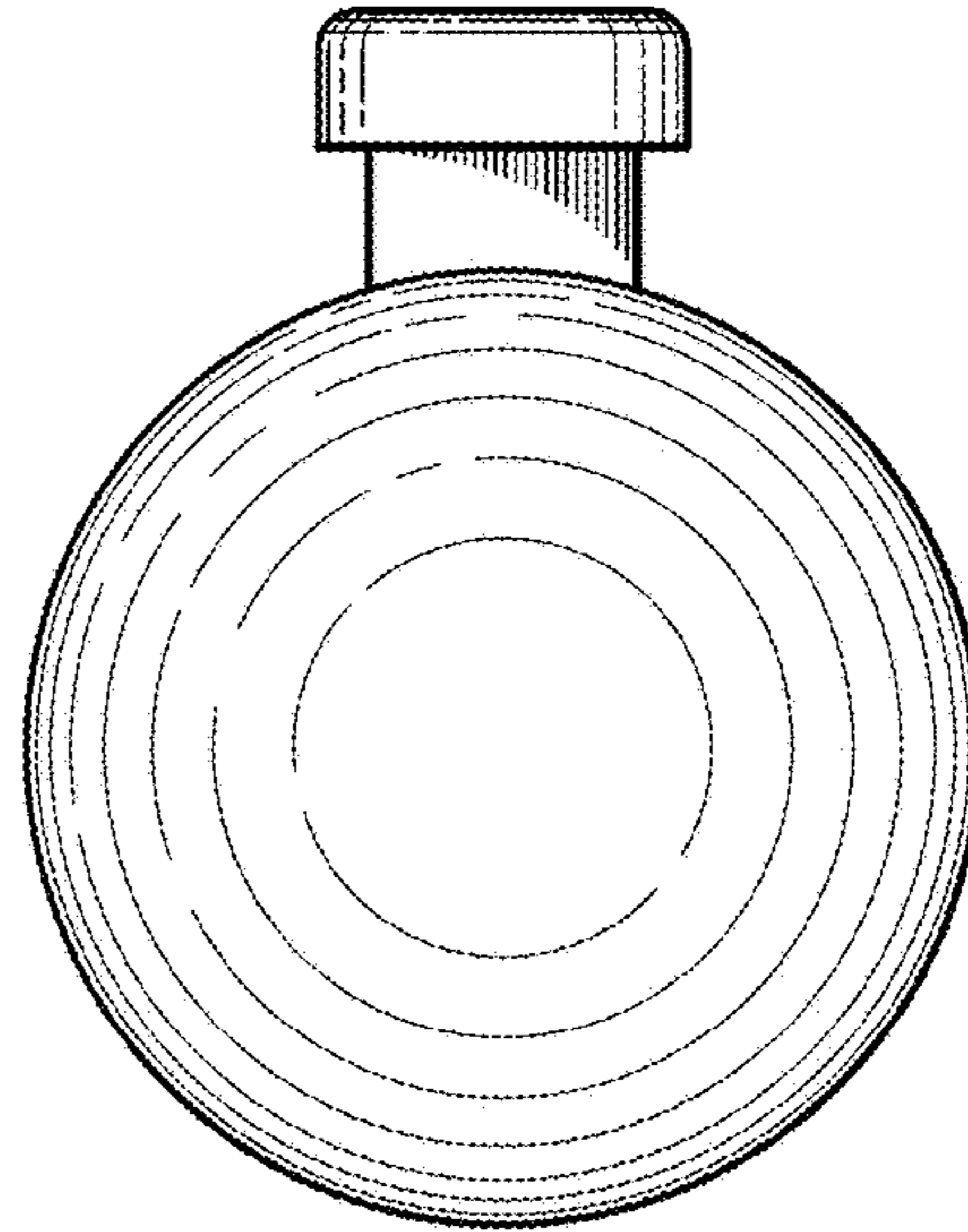


Fig. 6.

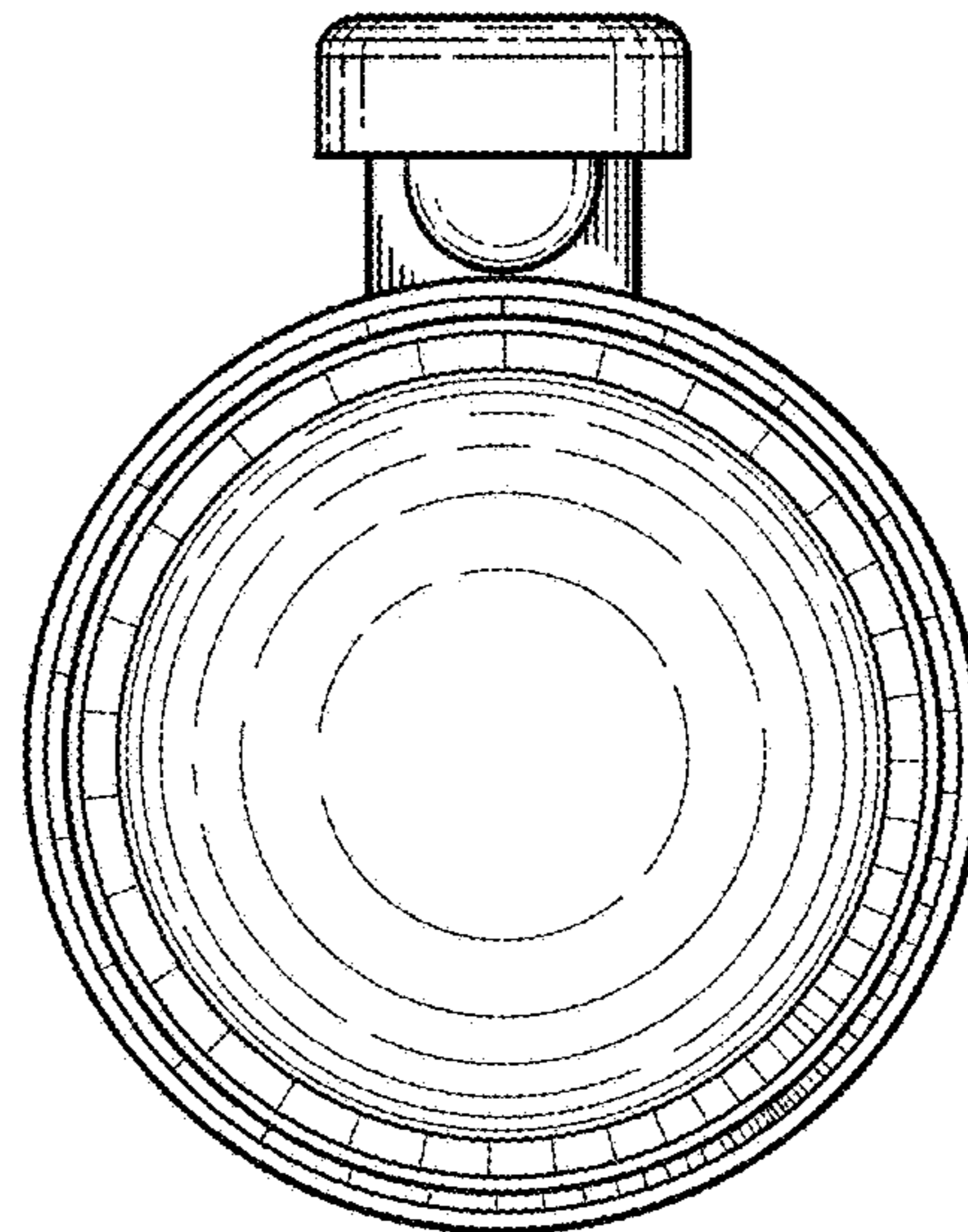


Fig. 7.

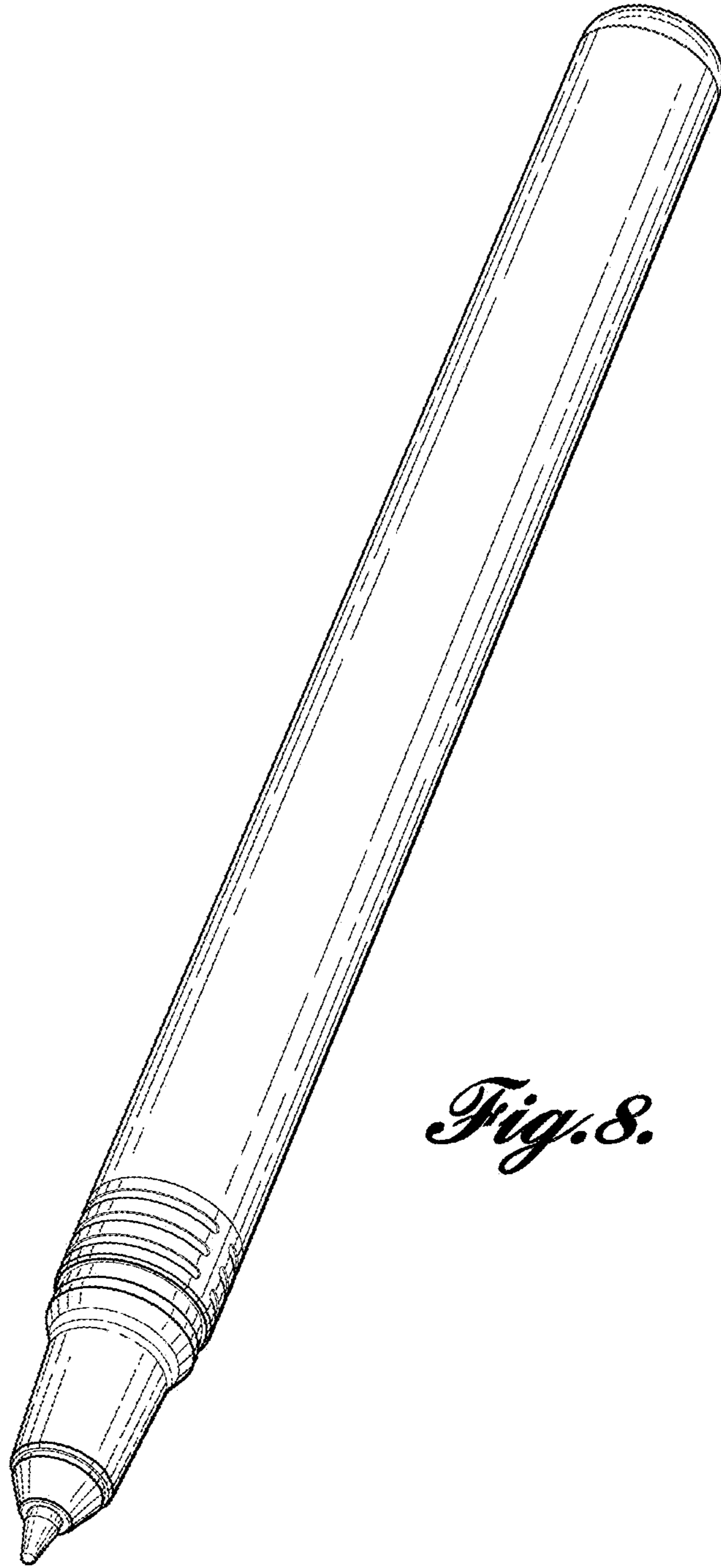


Fig. 8.

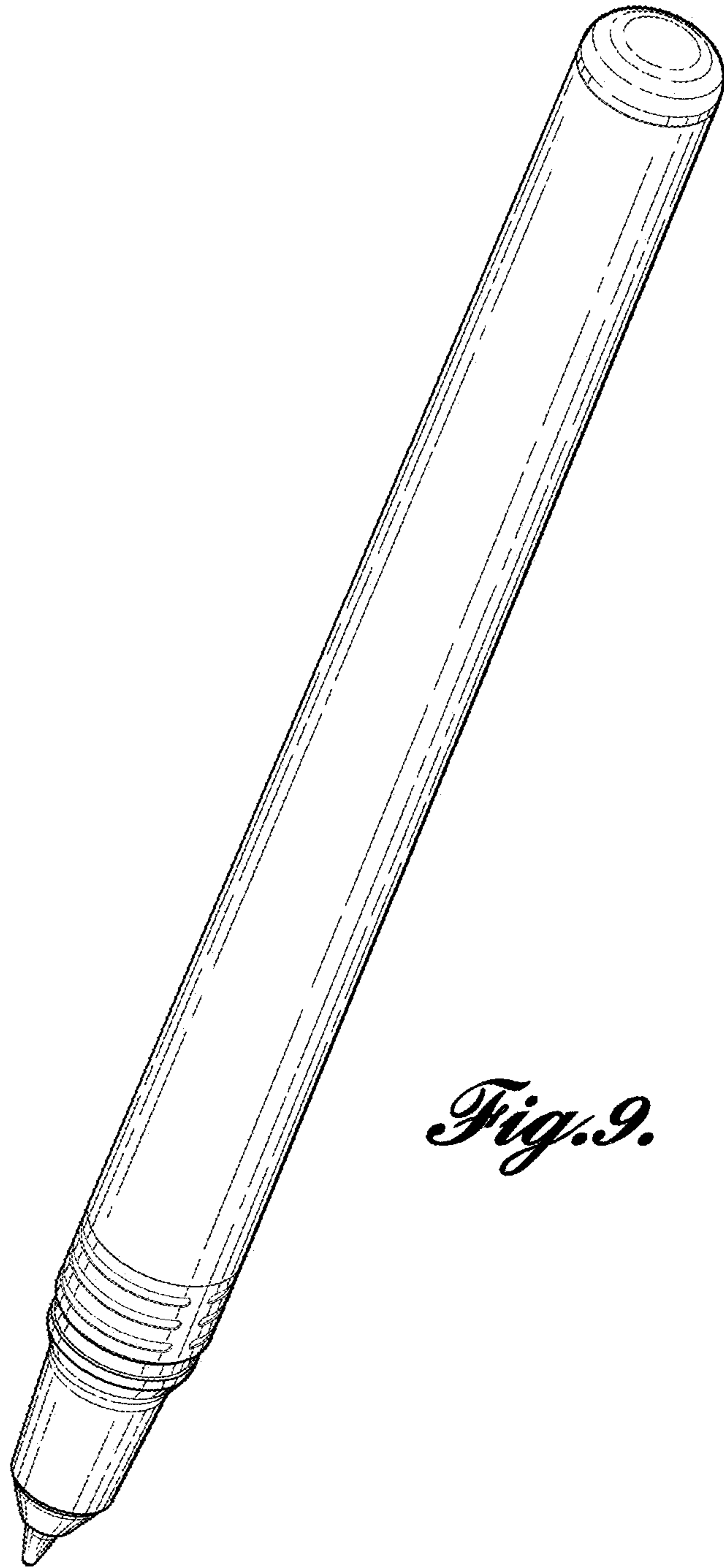


Fig. 9.

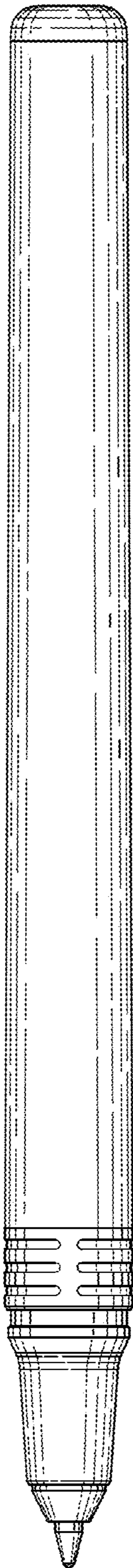


Fig. 10.

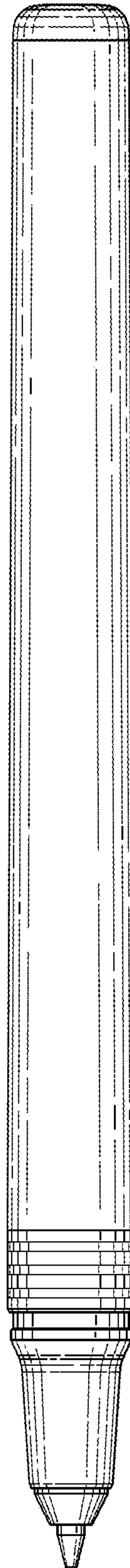


Fig. 11.

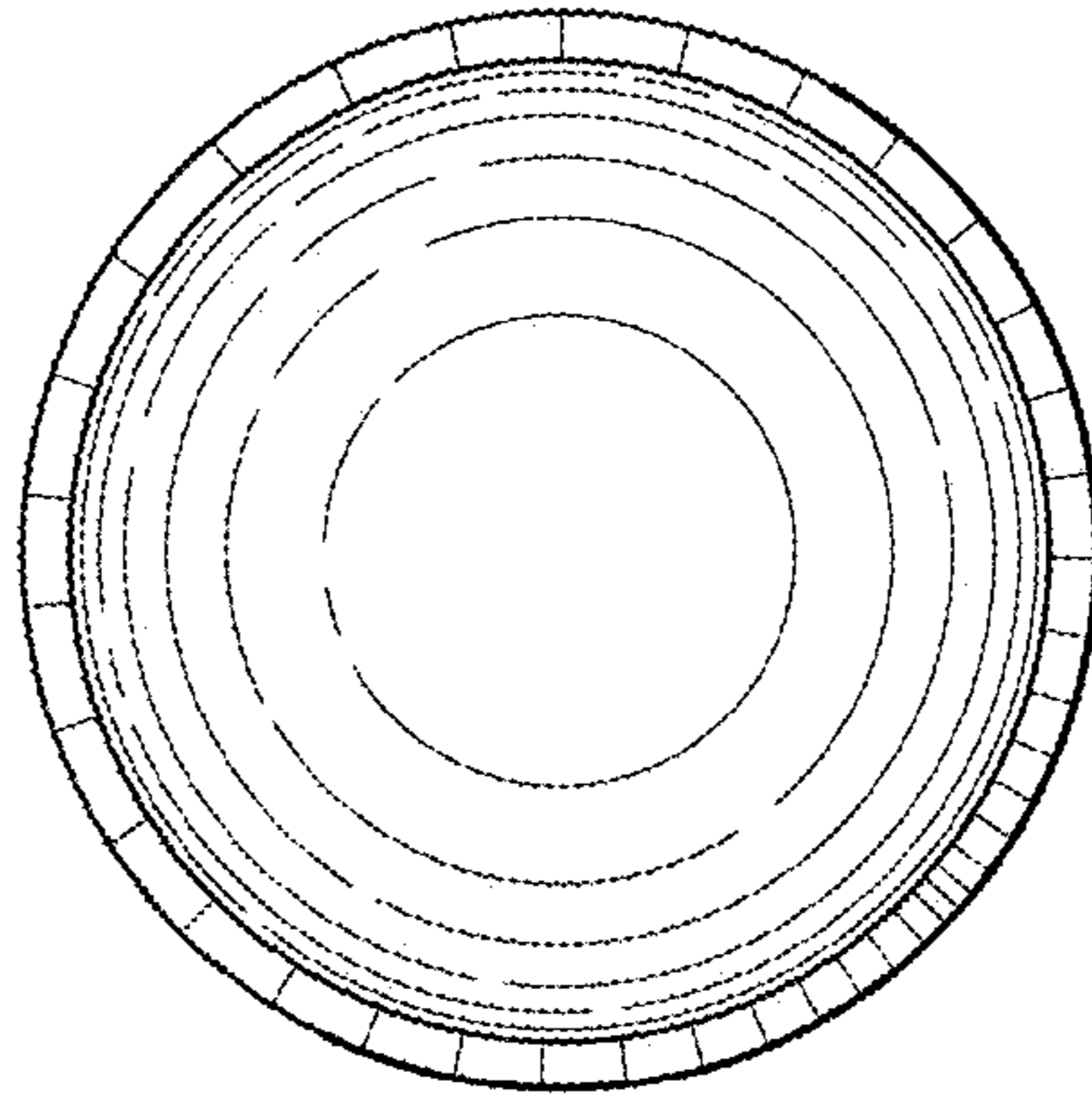


Fig. 12.

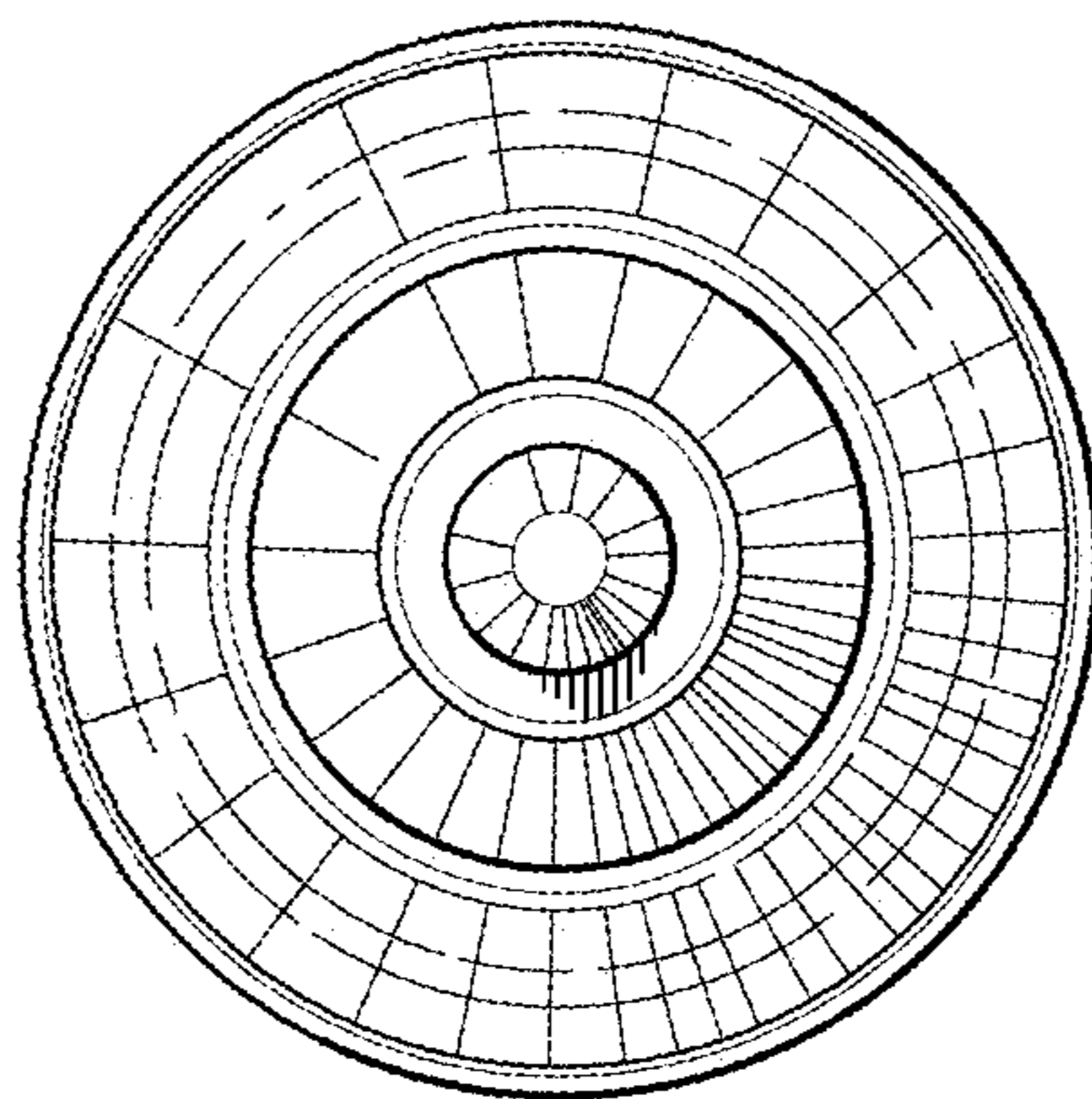


Fig. 13.

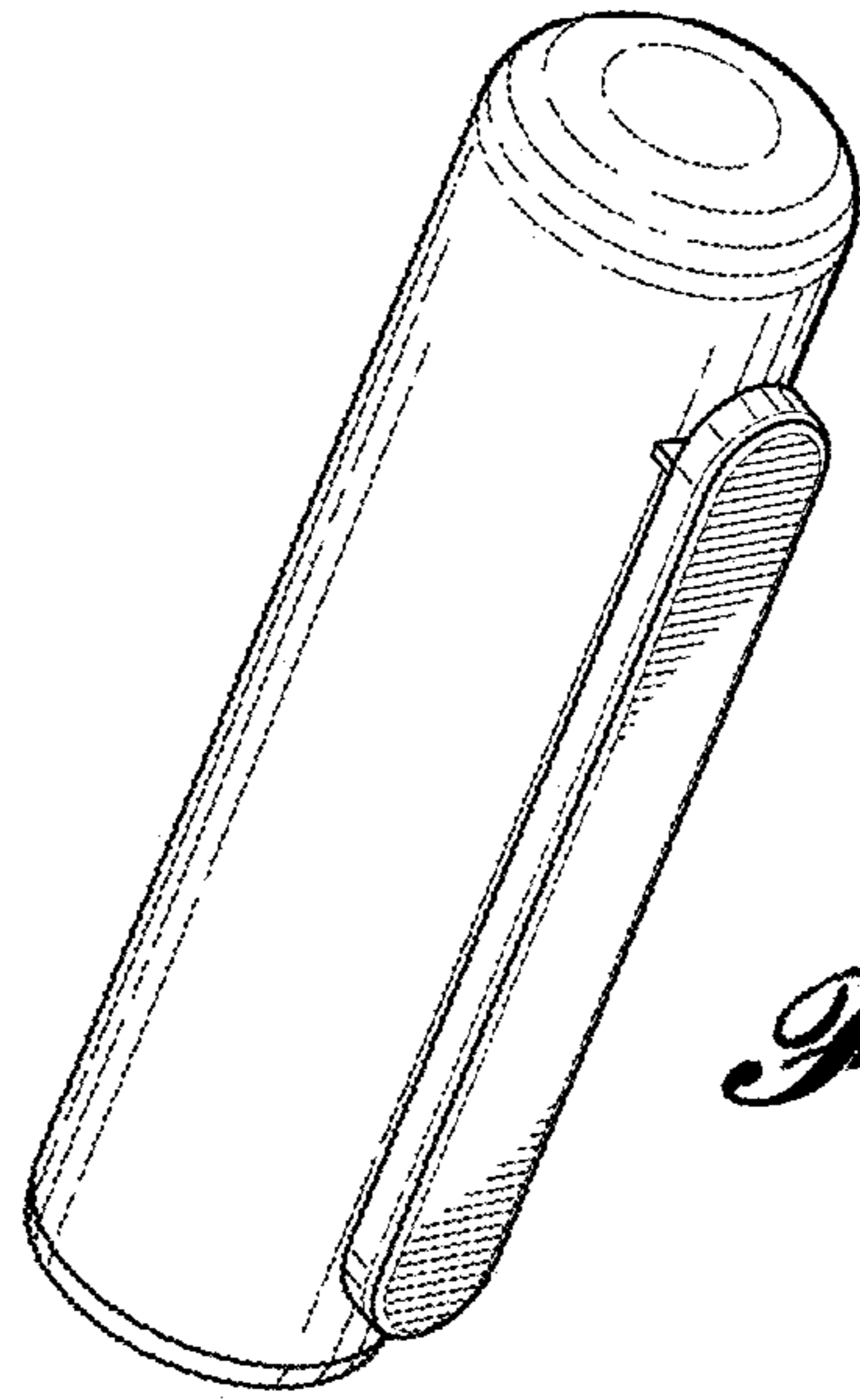


Fig. 14.

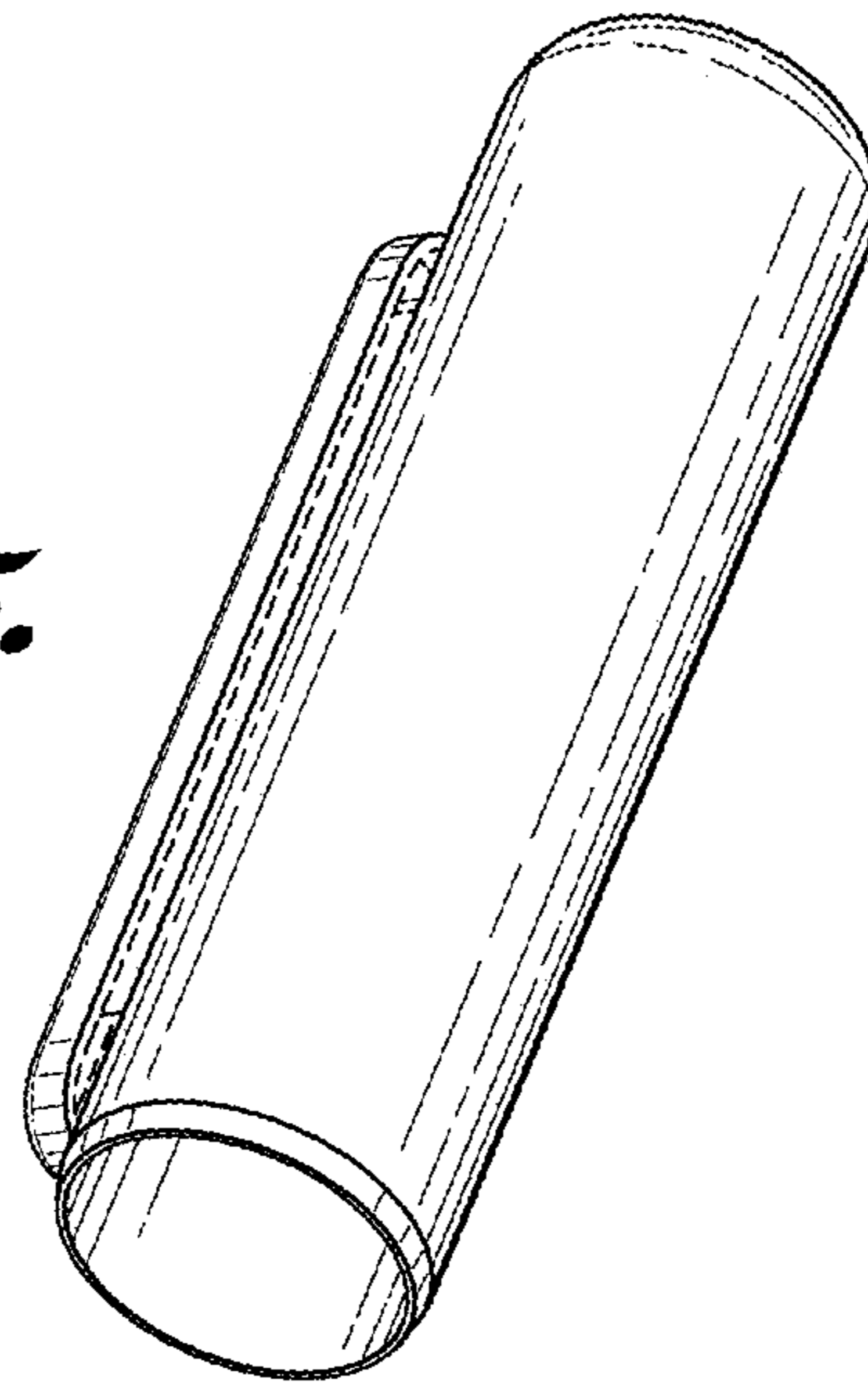


Fig. 15.



Fig. 16.



Fig. 17.

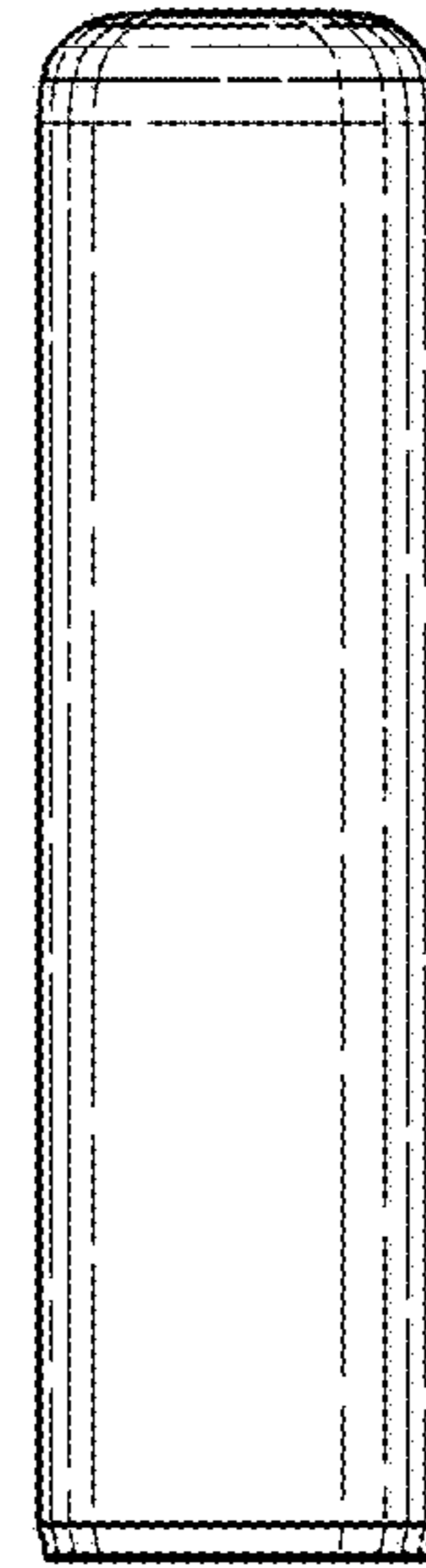


Fig. 18.

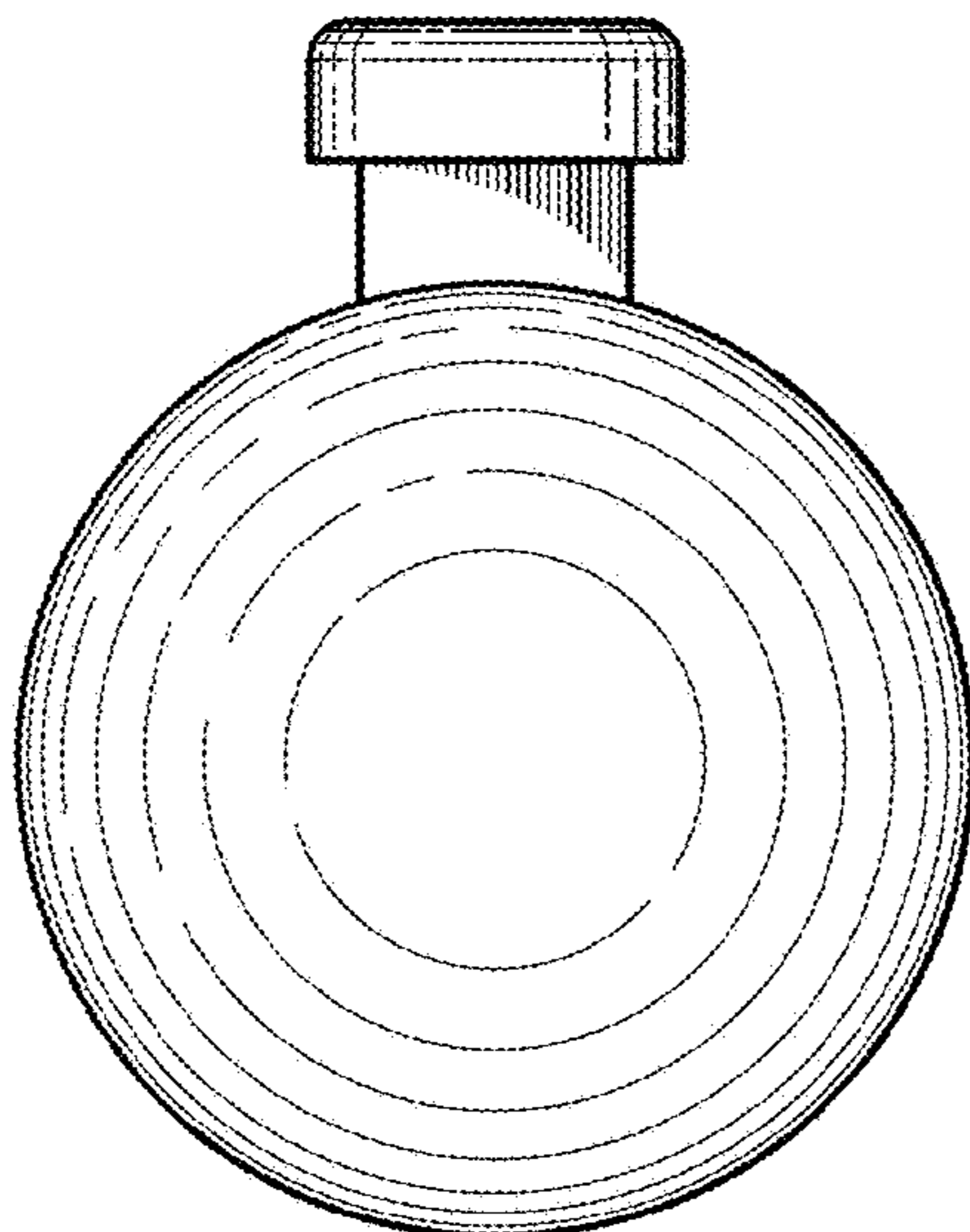


Fig. 19.

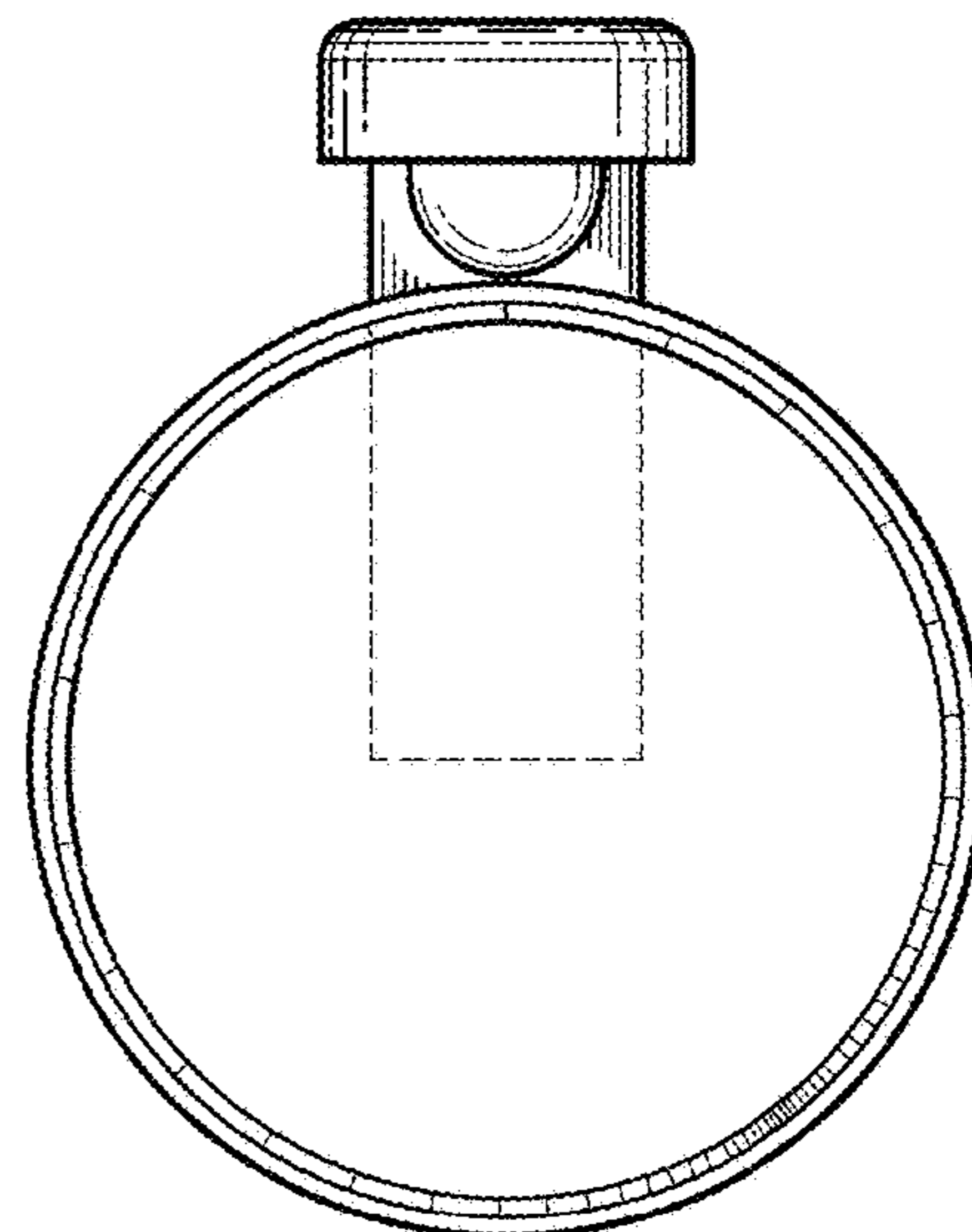


Fig. 20.

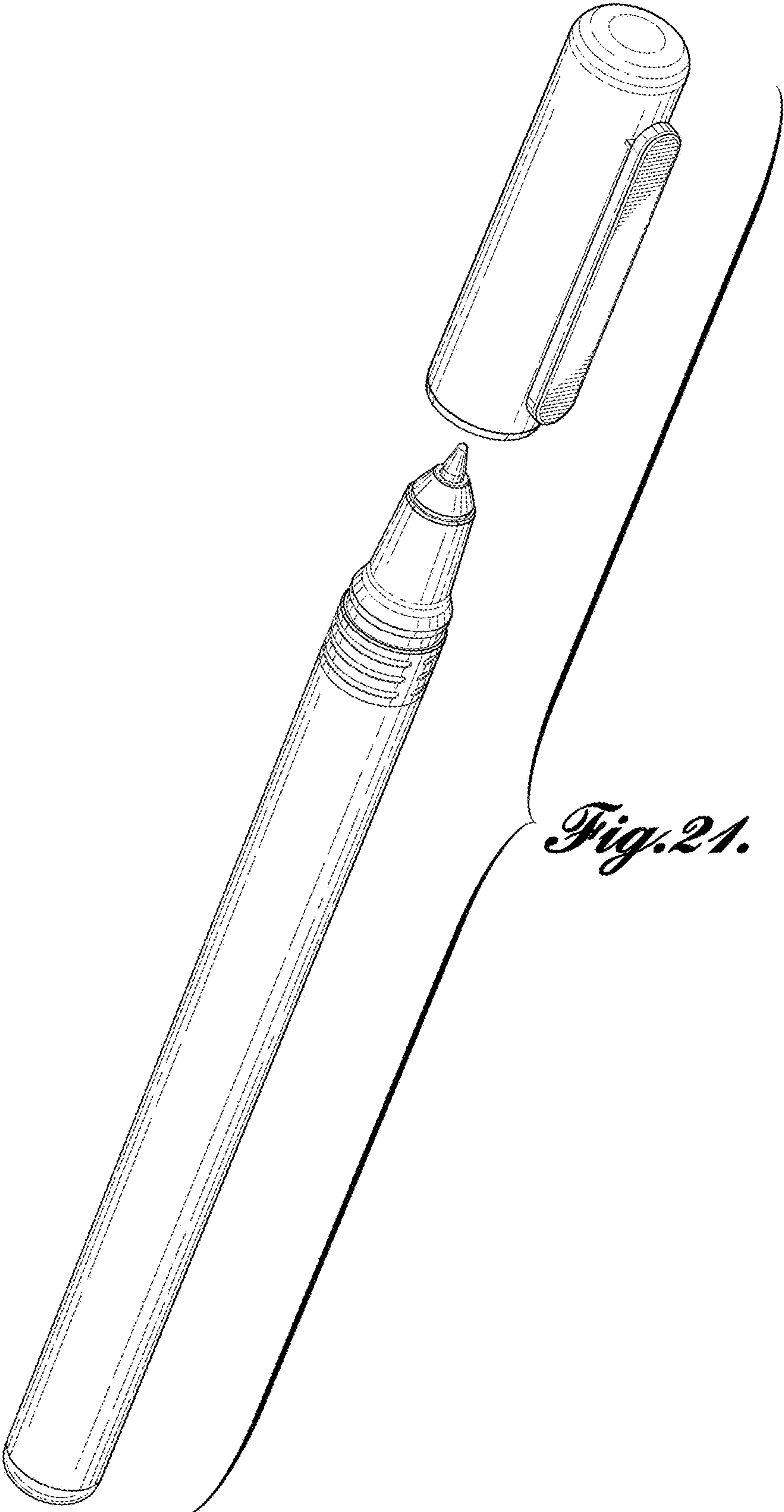
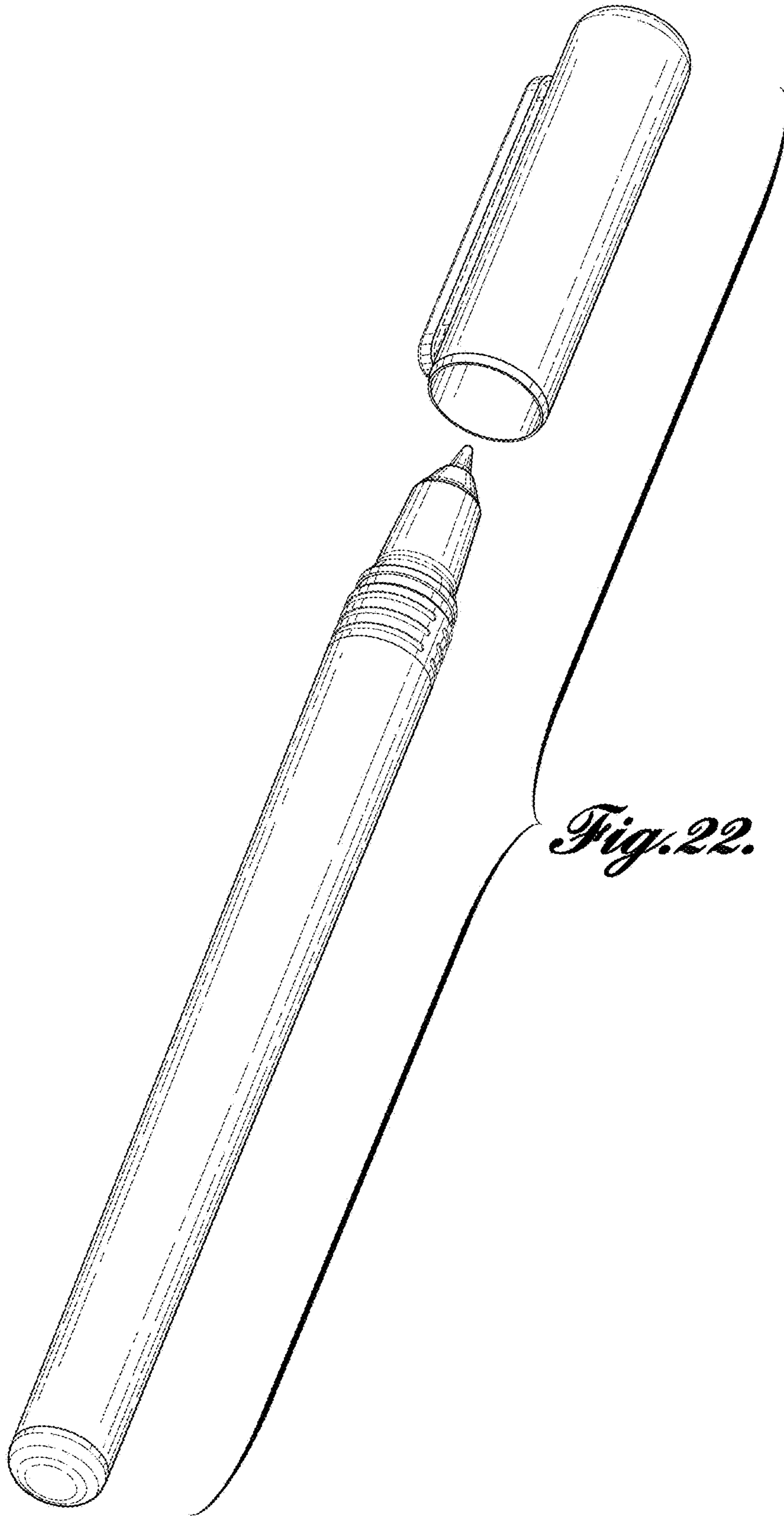


Fig. 21.



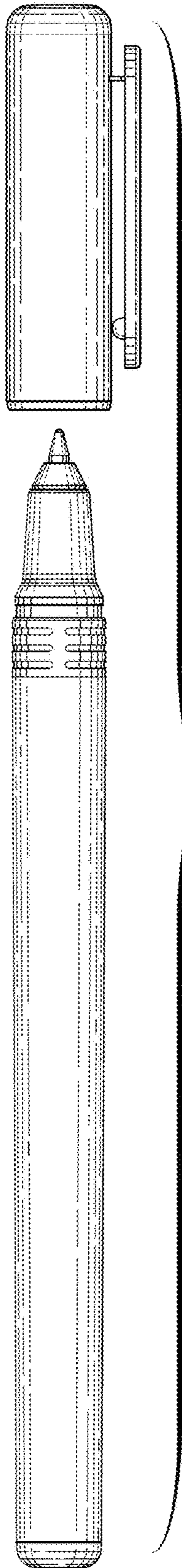


Fig. 23.

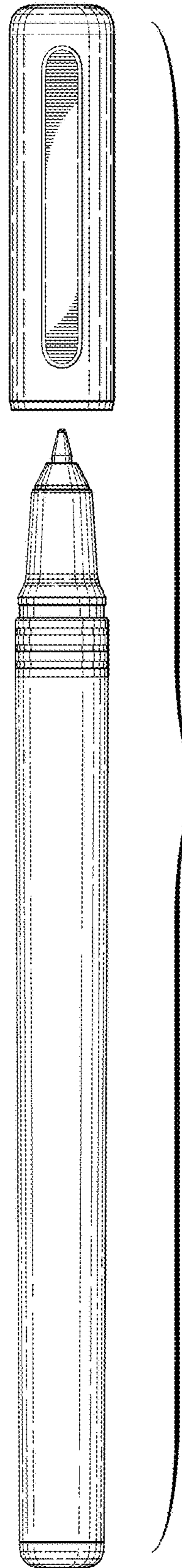


Fig. 24.

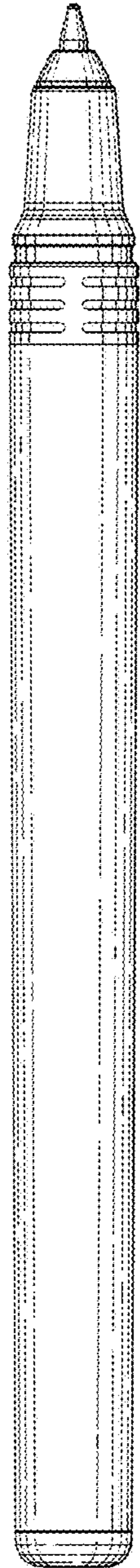
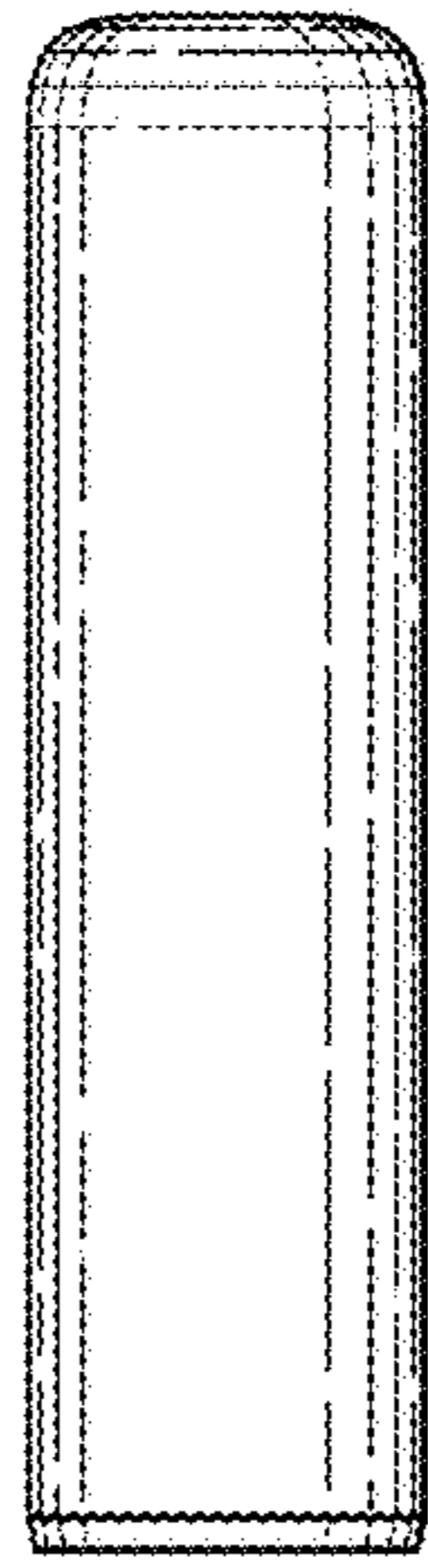


Fig. 25.

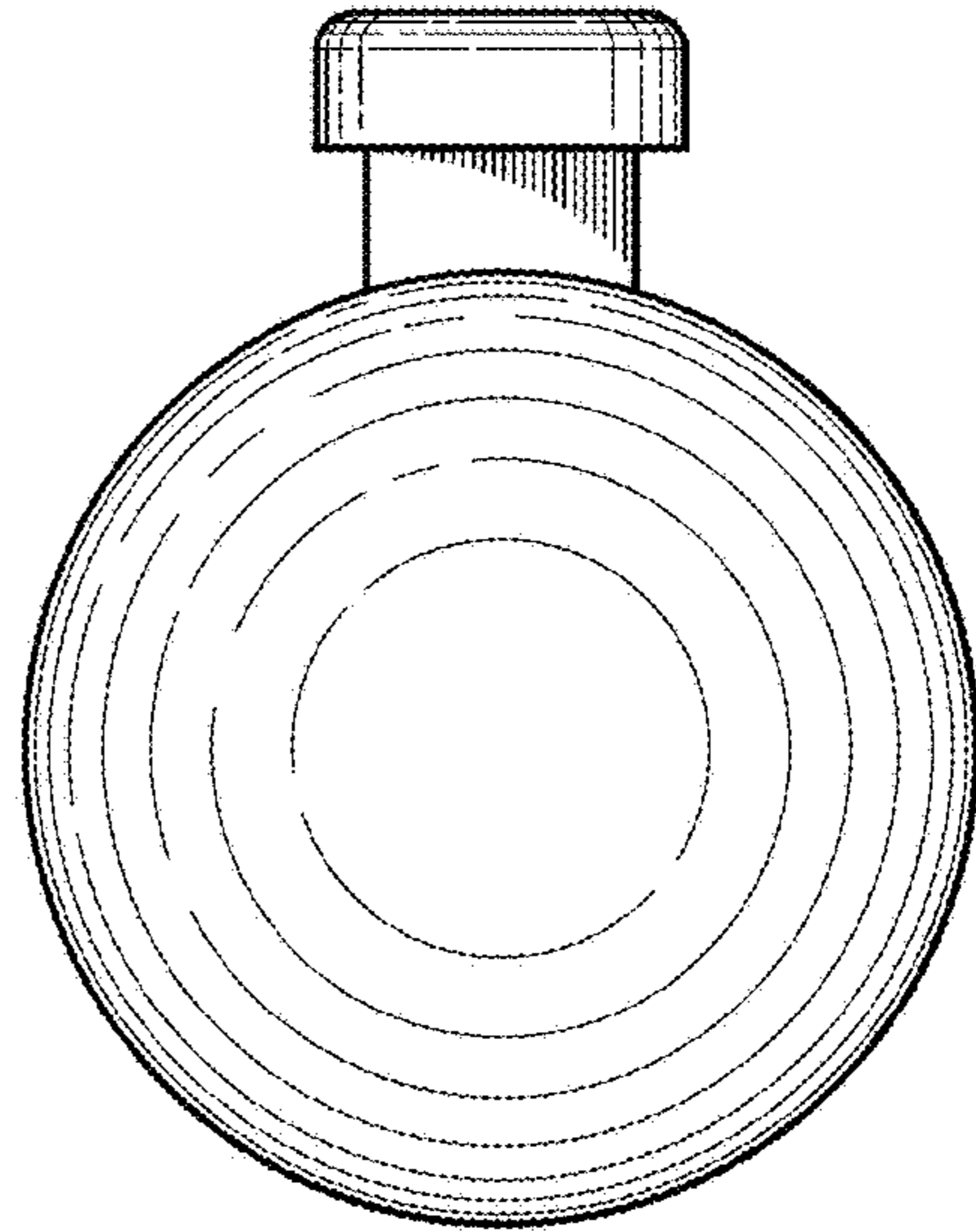


Fig. 26.

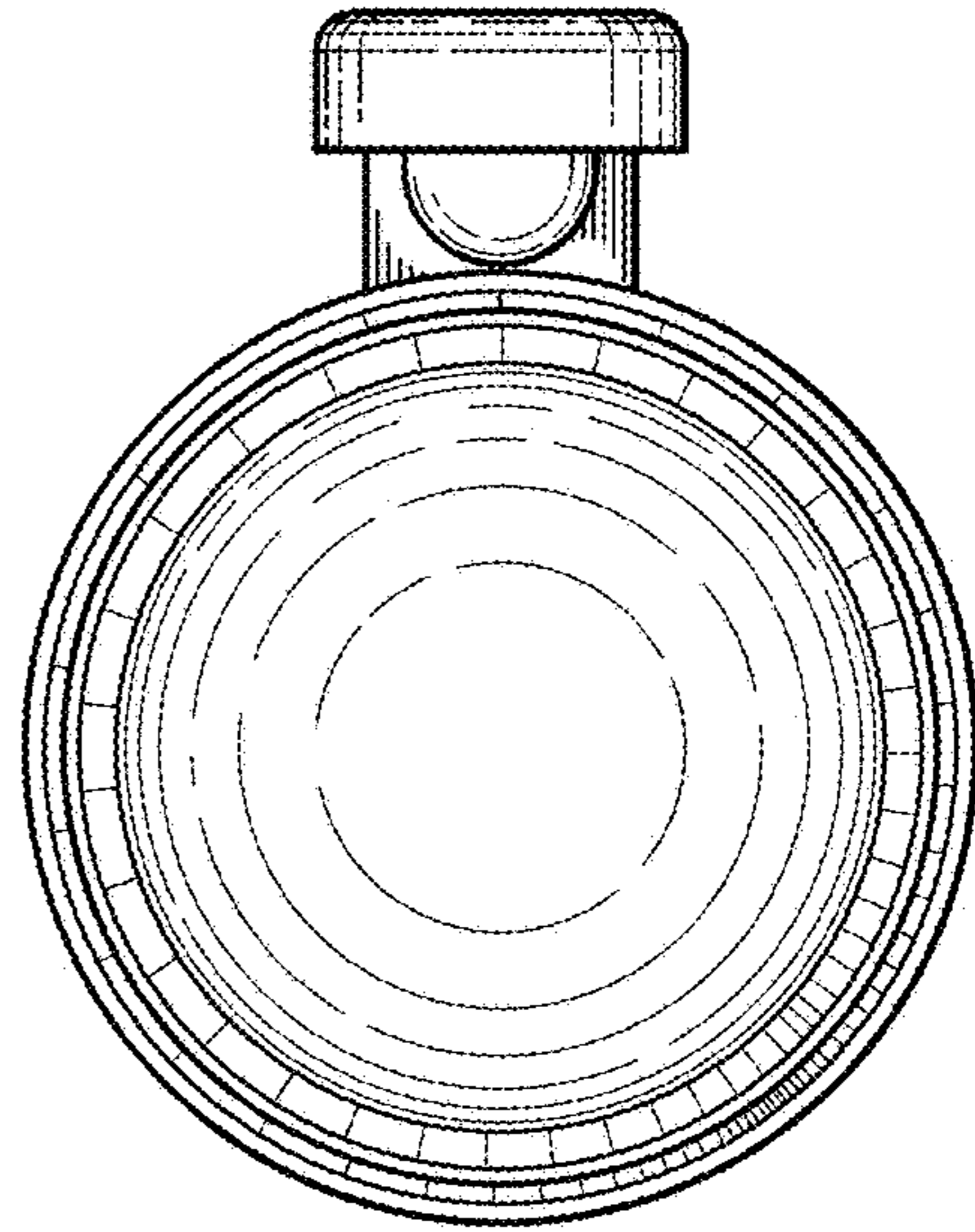


Fig. 27.